



US00D823160S

(12) **United States Design Patent**
Zhang

(10) **Patent No.:** **US D823,160 S**
(45) **Date of Patent:** **** Jul. 17, 2018**

(54) **ZIPPER TOOTH**

(71) Applicant: **ZHEJIANG WEIXING INDUSTRIAL DEVELOPMENT CO., LTD.**, Taizhou, Zhejiang (CN)

(72) Inventor: **Renma Zhang**, Zhejiang (CN)

(73) Assignee: **ZHEJIANG WEIXING INDUSTRIAL DEVELOPMENT CO., LTD.**, Taizhou, Zhejiang (CN)

(**) Term: **15 Years**

(21) Appl. No.: **29/602,903**

(22) Filed: **May 4, 2017**

(30) **Foreign Application Priority Data**

Jan. 25, 2017 (CN) 2017 3 0030651

(51) **LOC (11) Cl.** **02-07**

(52) **U.S. Cl.**
USPC **D11/221**

(58) **Field of Classification Search**

USPC D11/200, 201, 221; 24/381–383,
24/385–389, 401, 414–417, 421–422,
24/426–431, 433, 434; 2/265; D2/641,
D2/642; 294/3.6; 223/118; D8/33, 34,
D8/40

CPC A44B 19/00; A44B 19/02; A44B 19/04;
A44B 19/10; A44B 19/26; A44B 19/30;
A44B 19/06; A44B 19/34; A44B 19/40;
A44B 19/52; A44B 19/38; A44B 19/305;

(Continued)

(56) **References Cited**

U.S. PATENT DOCUMENTS

4,040,150 A * 8/1977 Fukuroi A44B 19/06
24/410

D252,896 S * 9/1979 Jovin 24/410

(Continued)

Primary Examiner — Ralf T Seifert

(74) *Attorney, Agent, or Firm* — U.S. Fairsky LLP; Yue (Robert) Xu

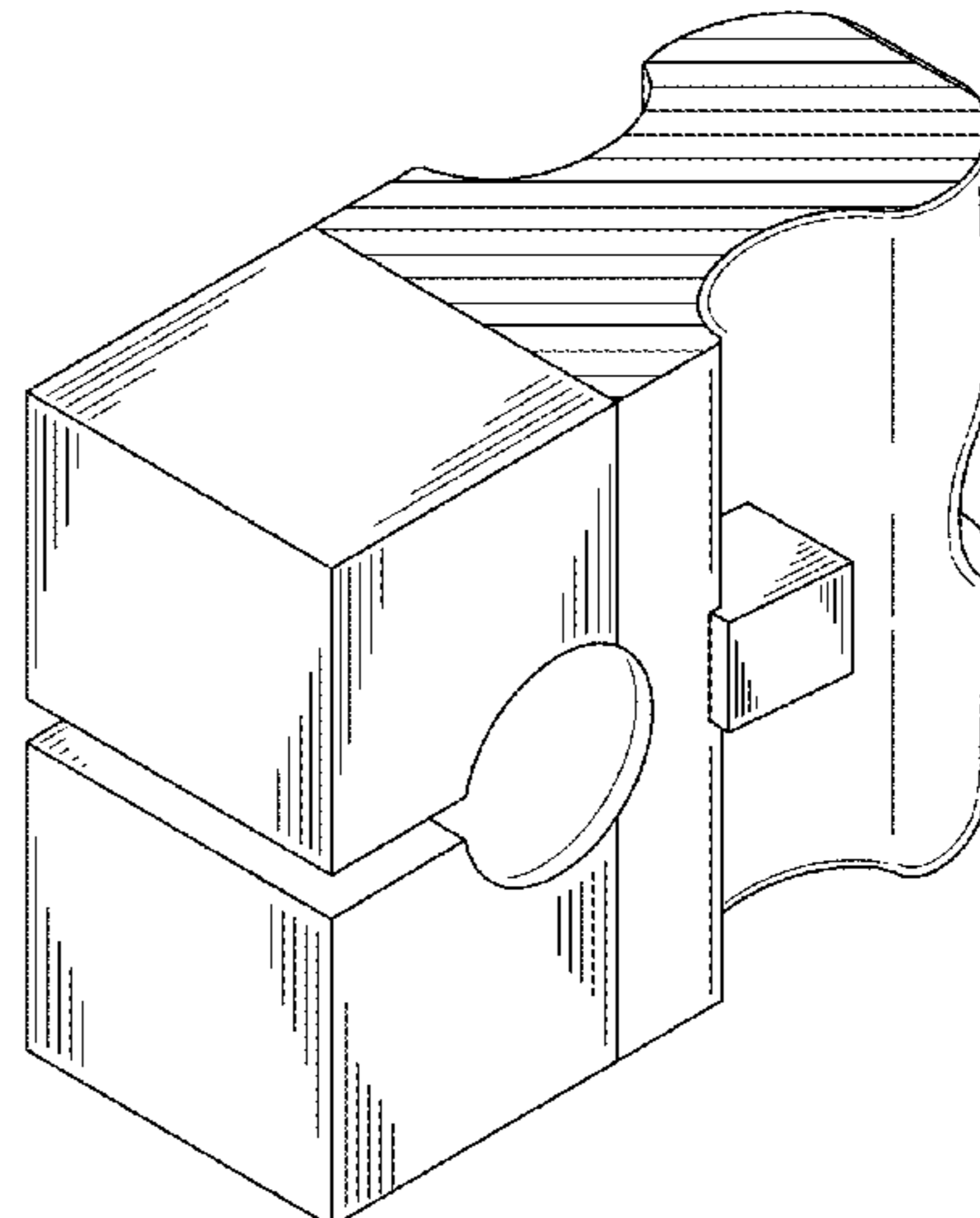
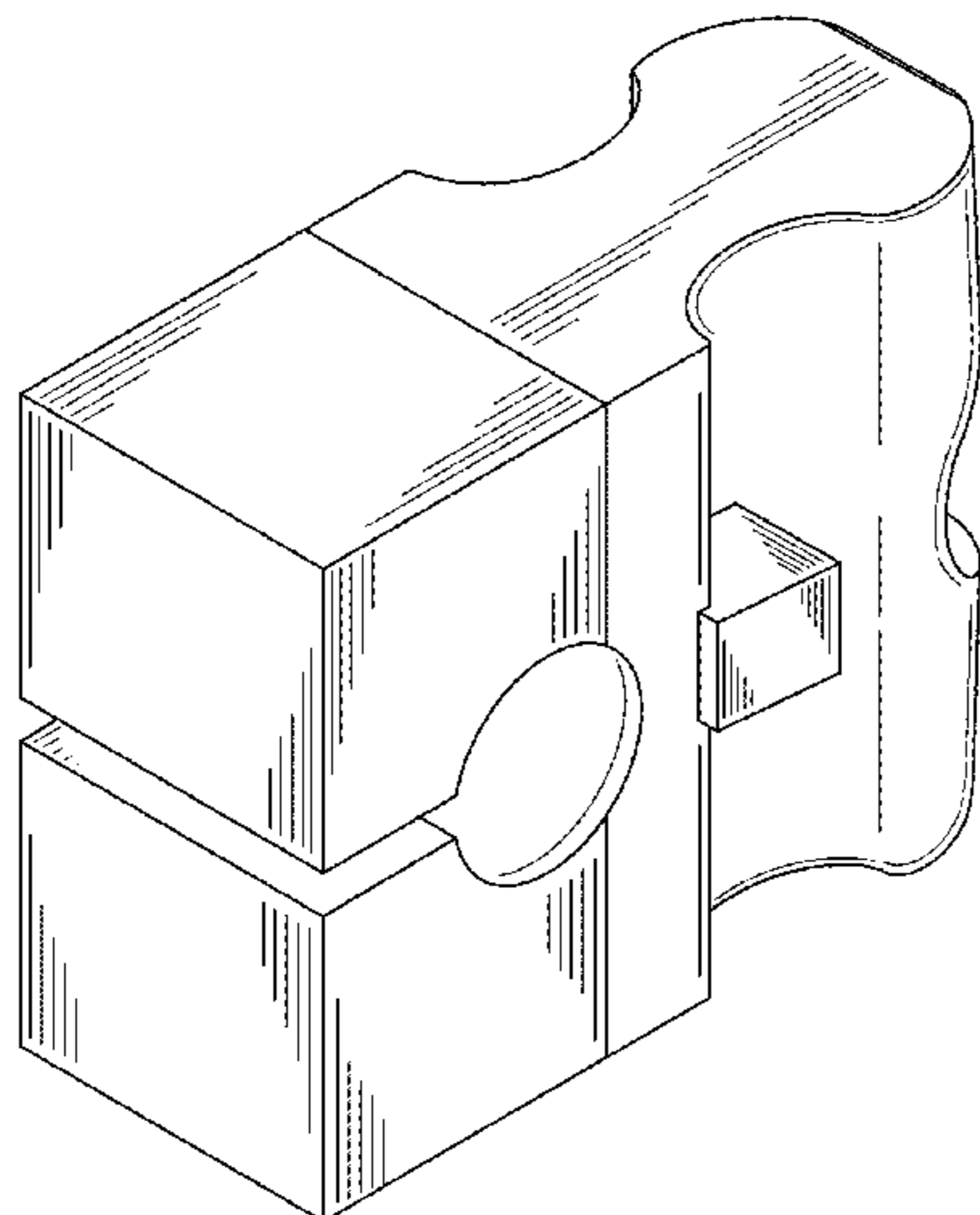
(57) **CLAIM**

The ornamental design for a zipper tooth, as shown and described.

DESCRIPTION

FIG. 1 is a front view of a zipper tooth according to a first embodiment of the present application; FIG. 2 is a rear view of the zipper tooth according to the first embodiment of the present application; FIG. 3 is a left view of the zipper tooth according to the first embodiment of the present application; FIG. 4 is a right view of the zipper tooth according to the first embodiment of the present application; FIG. 5 is a top view of the zipper tooth according to the first embodiment of the present application; FIG. 6 is a bottom view of the zipper tooth according to the first embodiment of the present application; FIG. 7 is a perspective view of the zipper tooth according to the first embodiment of the present application; FIG. 8 is a front view of a zipper tooth according to a second embodiment of the present application; FIG. 9 is a rear view of the zipper tooth according to the second embodiment of the present application; FIG. 10 is a left view of the zipper tooth according to the second embodiment of the present application; FIG. 11 is a right view of the zipper tooth according to the second embodiment of the present application; FIG. 12 is a top view of the zipper tooth according to the second embodiment of the present application, with a lined portion indicating color contrast; FIG. 13 is a bottom view of the zipper tooth according to the second embodiment of the present application; and, FIG. 14 is a perspective view of the zipper tooth according to the second embodiment of the present application, with a lined portion indicating color contrast.

1 Claim, 14 Drawing Sheets



(58) **Field of Classification Search**

CPC G02C 3/003; A44H 37/06; B29C 45/14573

See application file for complete search history.

(56) **References Cited**

U.S. PATENT DOCUMENTS

4,349,943	A *	9/1982	Moertel	A44B 19/06
				24/410
4,718,150	A *	1/1988	Moertel	A44B 19/04
				24/427
D628,123	S *	11/2010	Kojima	D11/221
D732,425	S *	6/2015	Ng	D11/221
D740,169	S *	10/2015	Ogura	D11/221

* cited by examiner

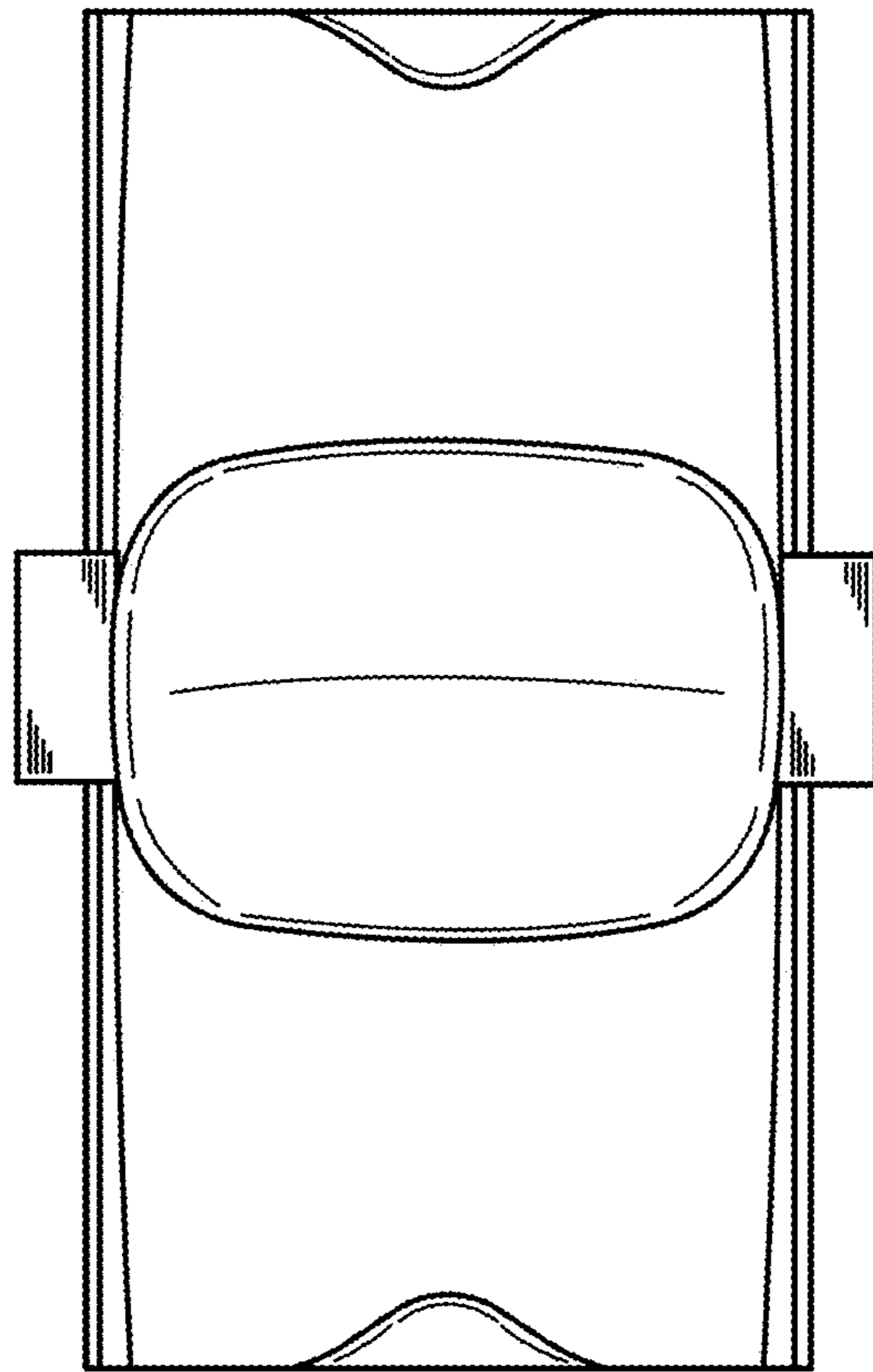


FIG. 1

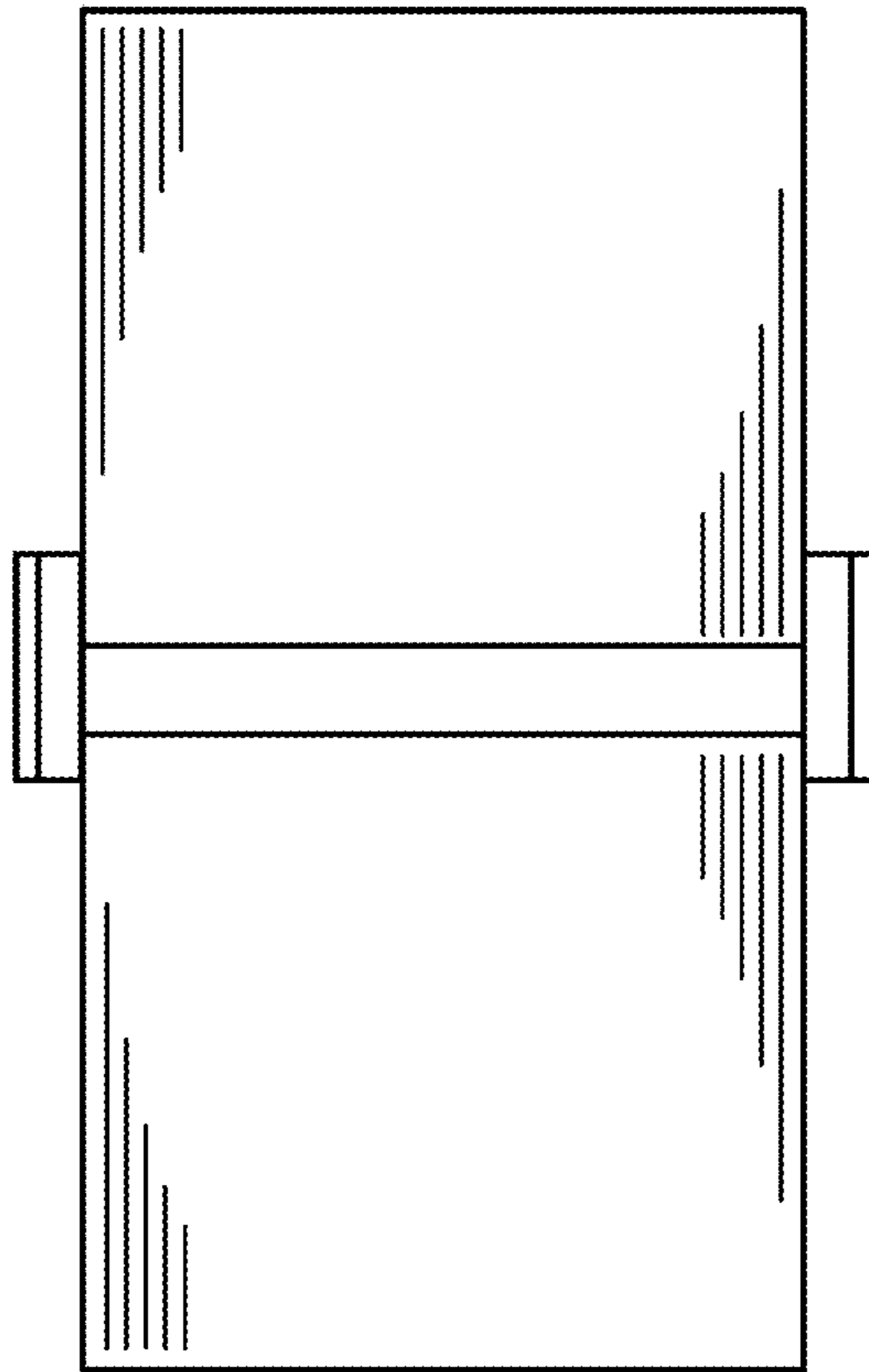


FIG. 2

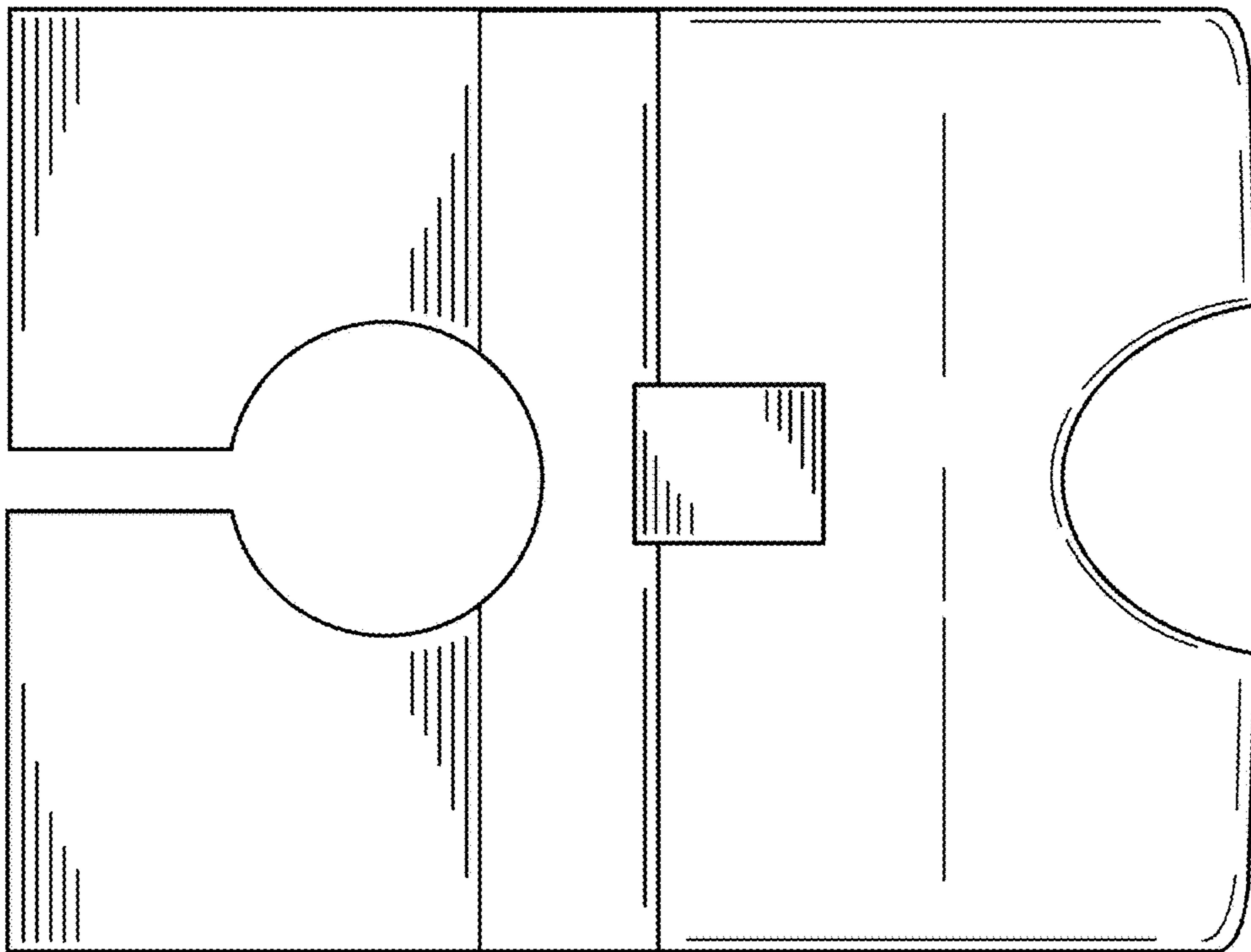


FIG. 3

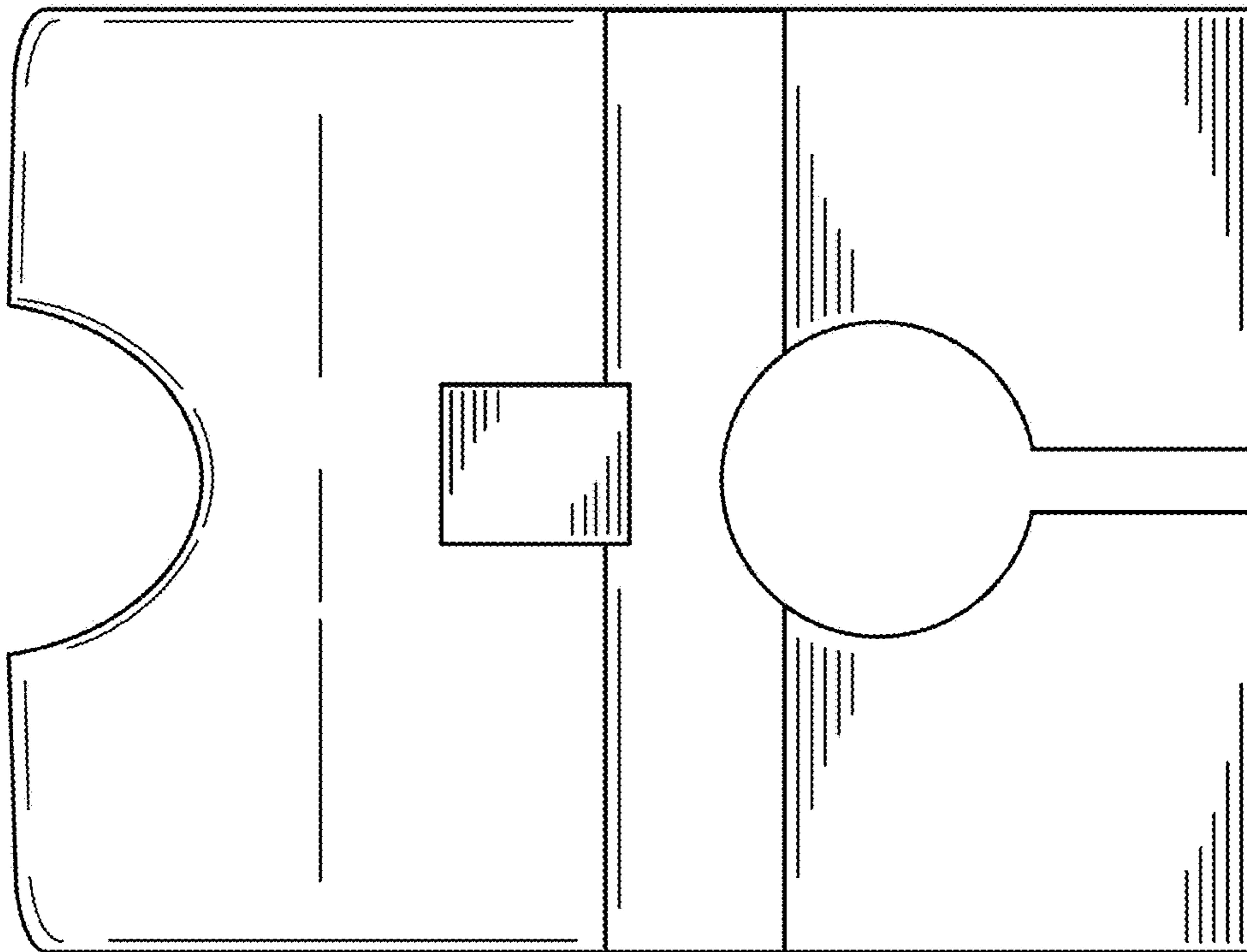


FIG. 4

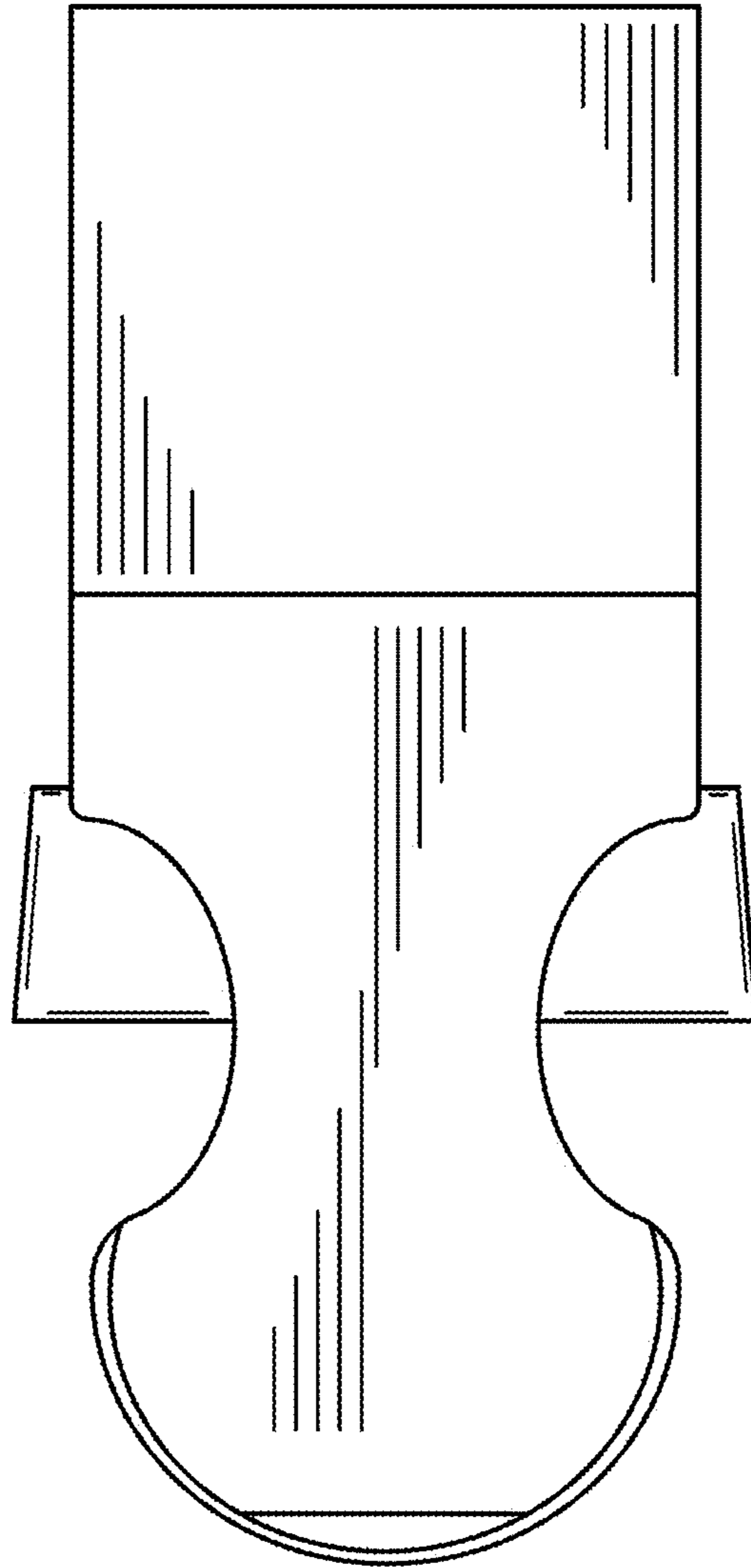


FIG. 5

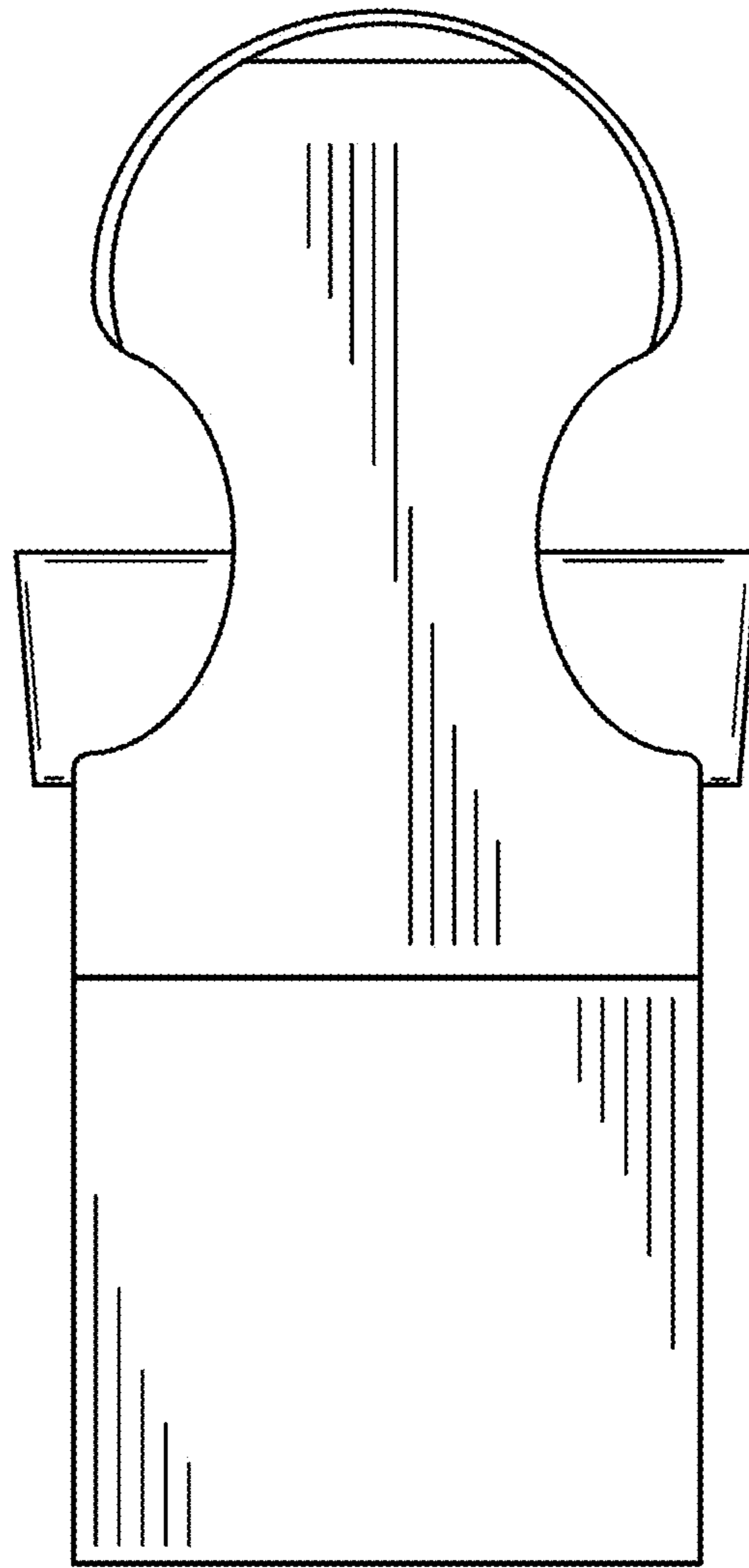


FIG. 6

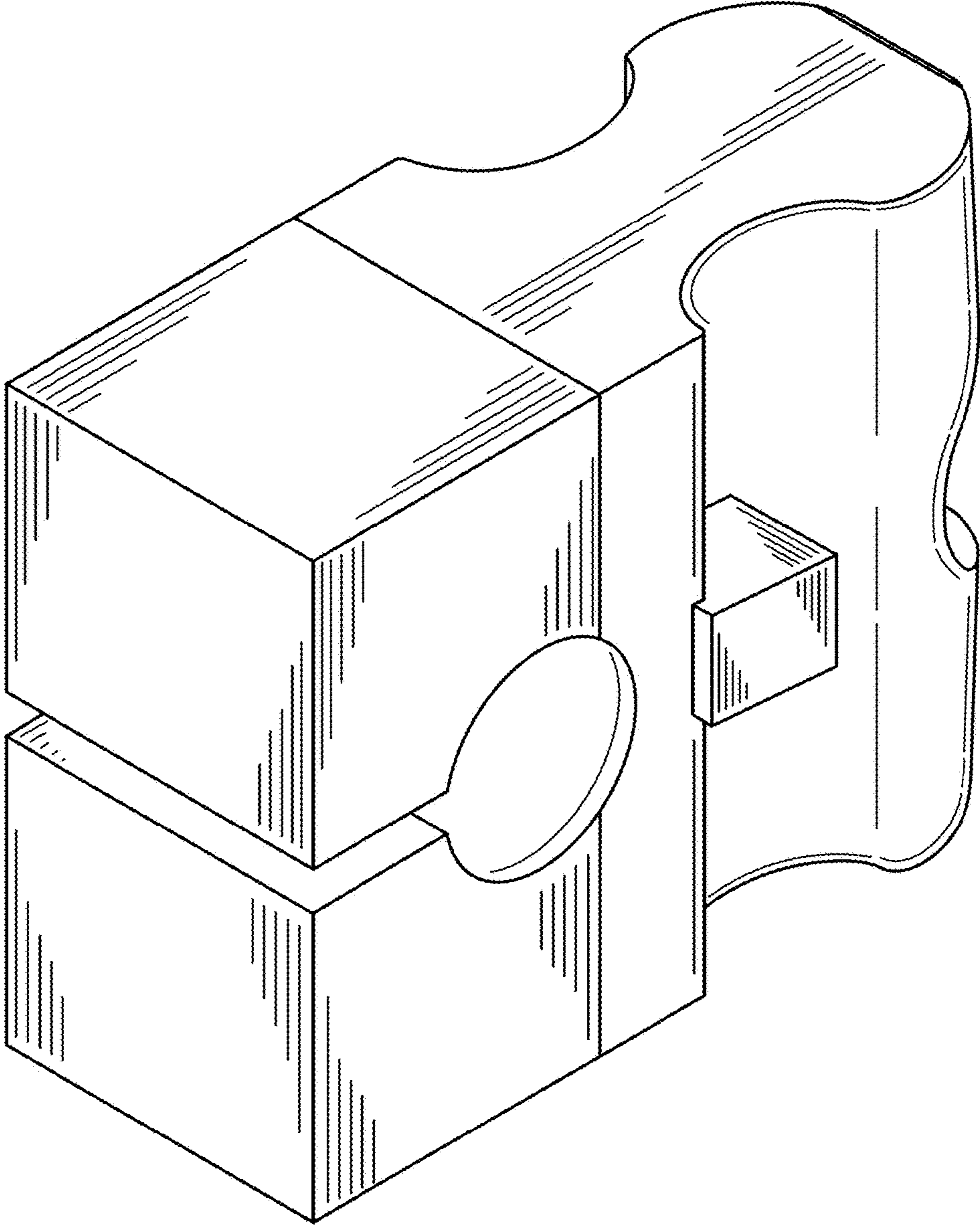


FIG. 7

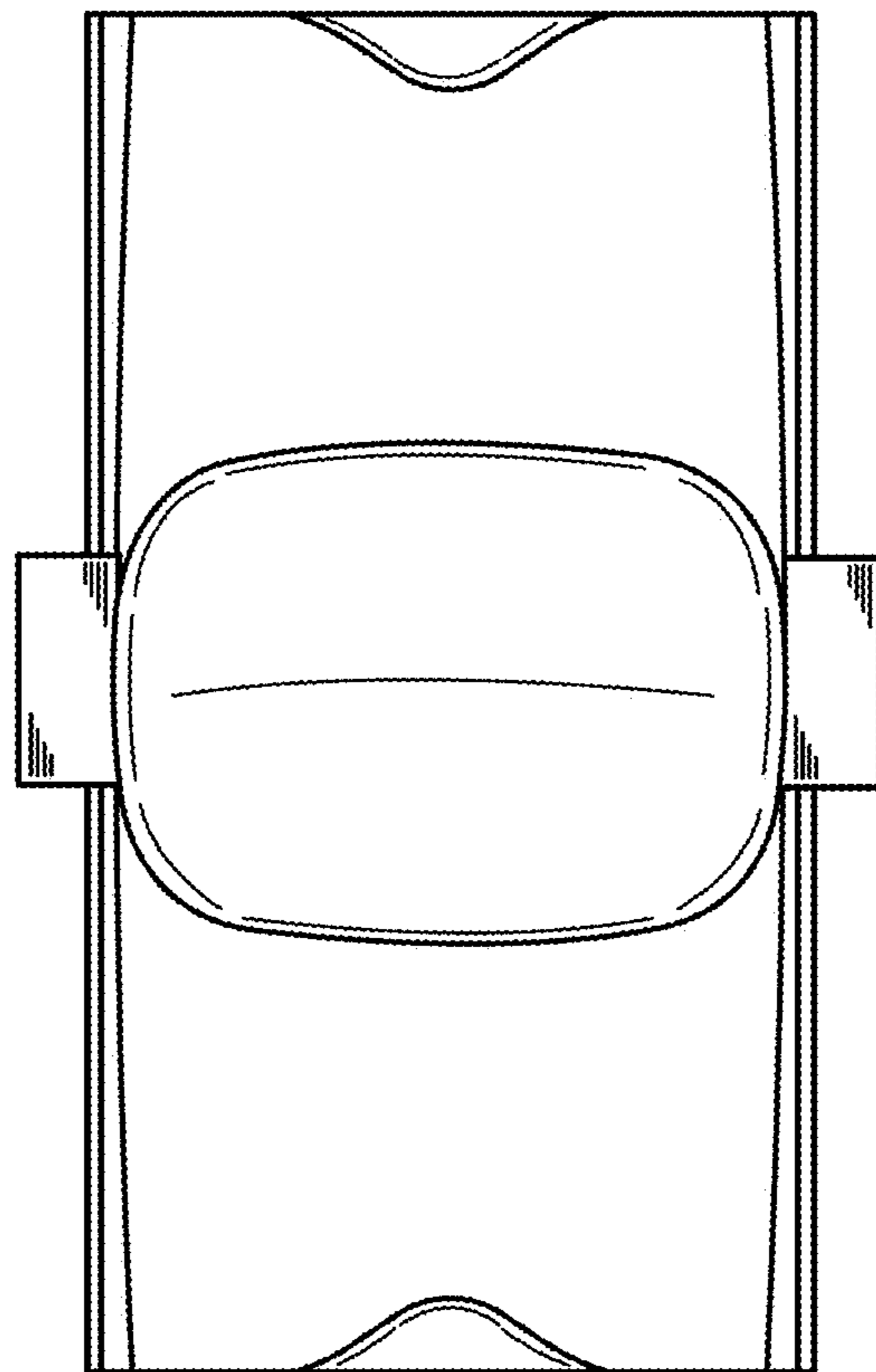


FIG. 8

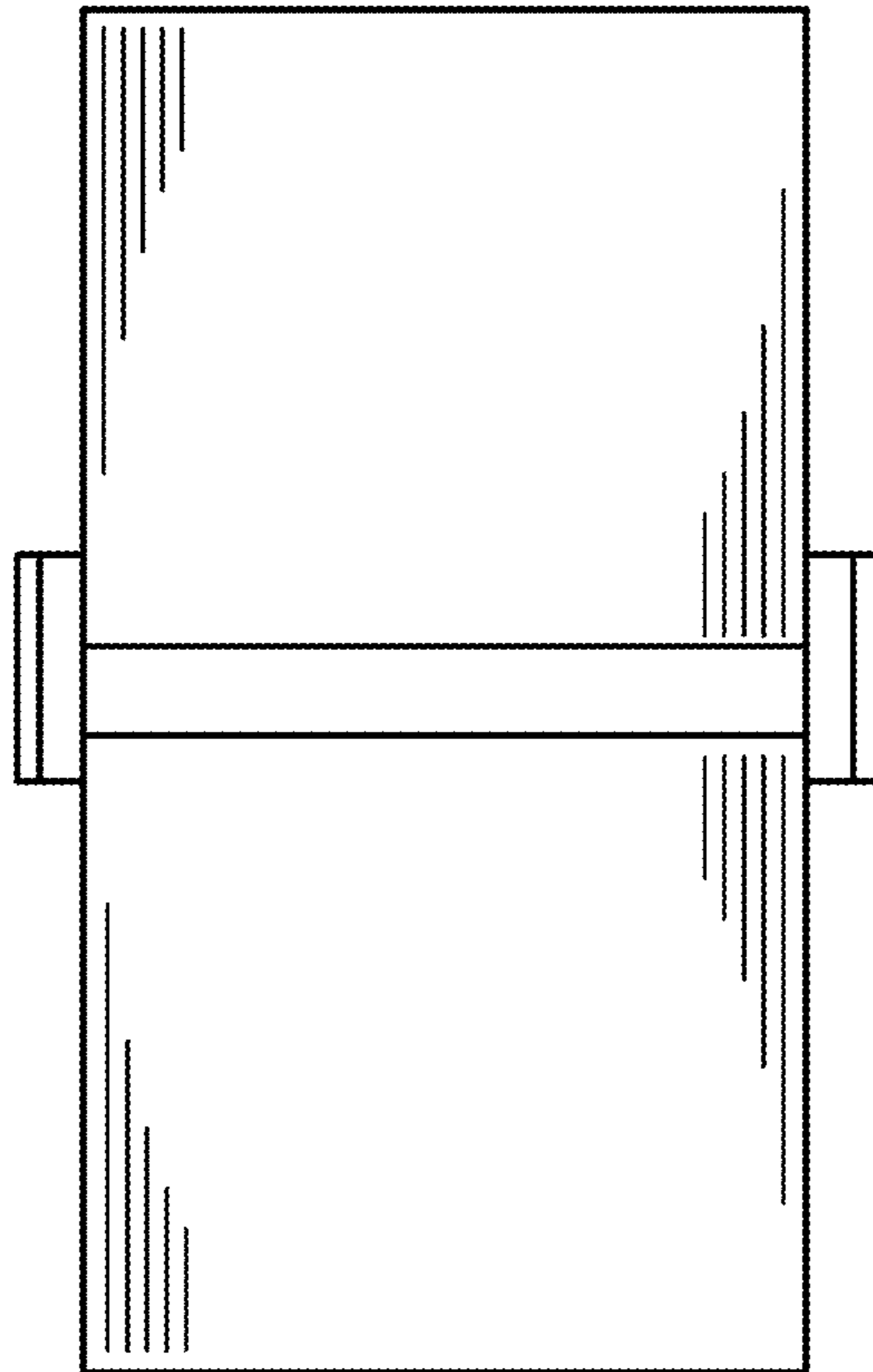


FIG. 9

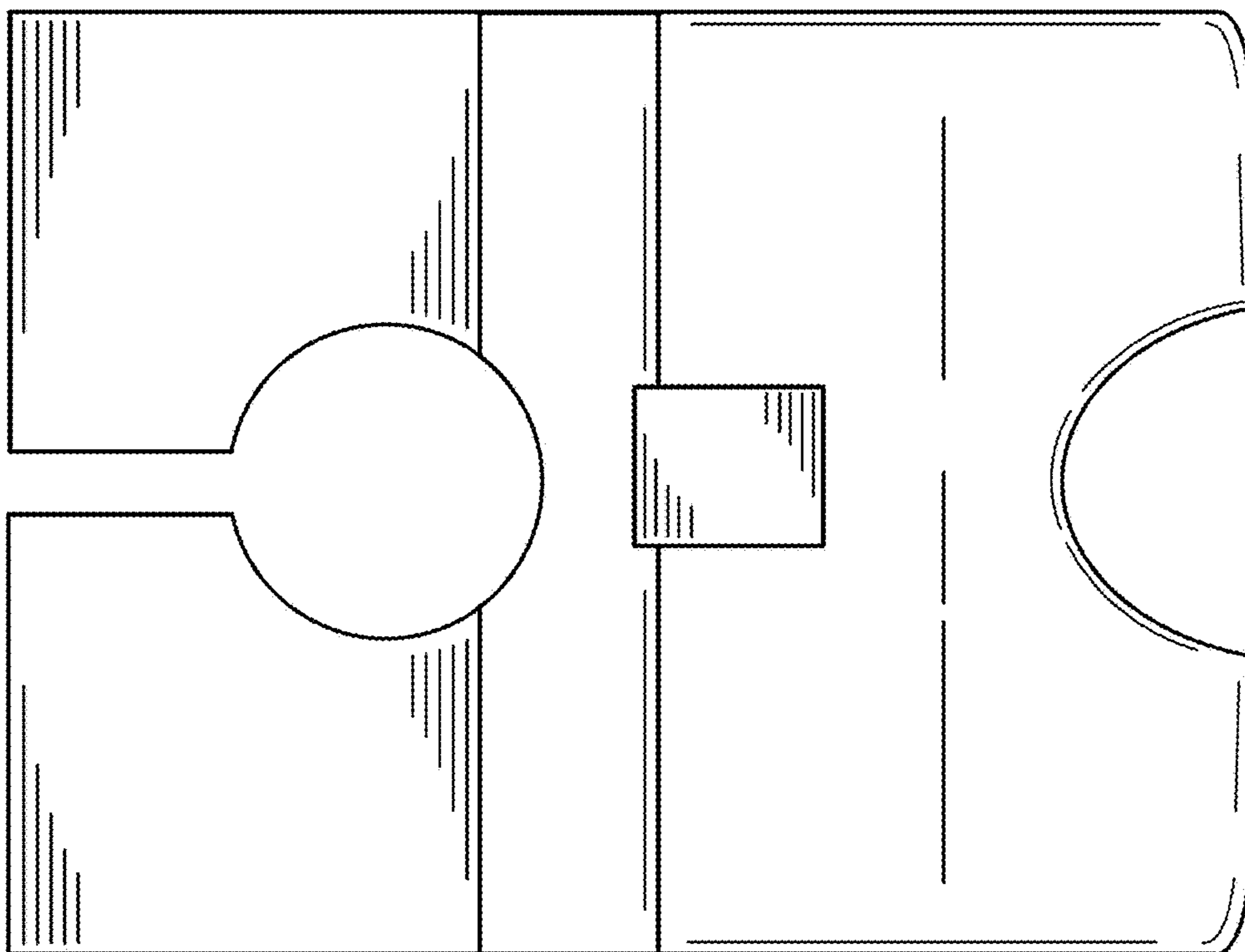


FIG. 10

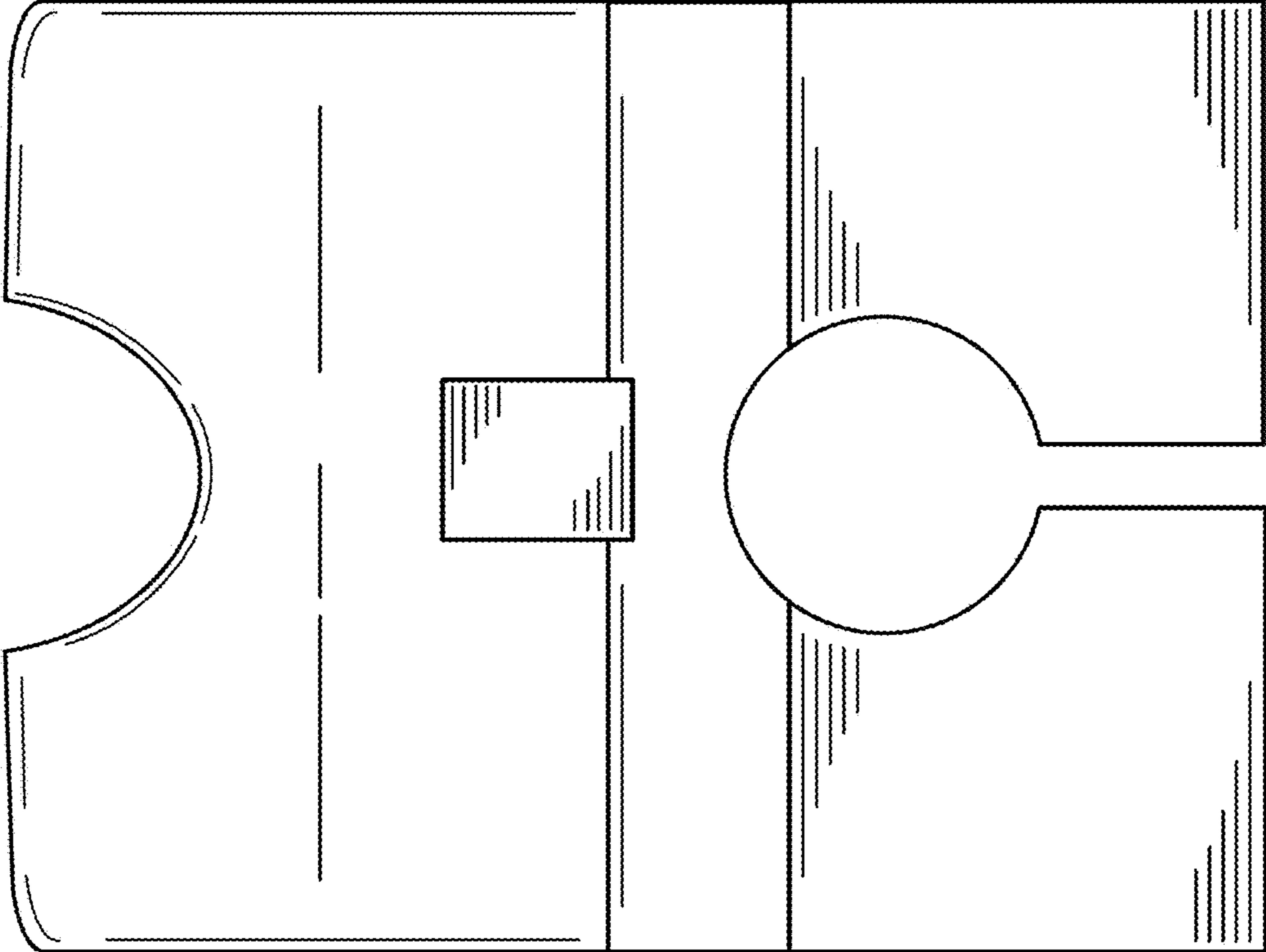


FIG. 11

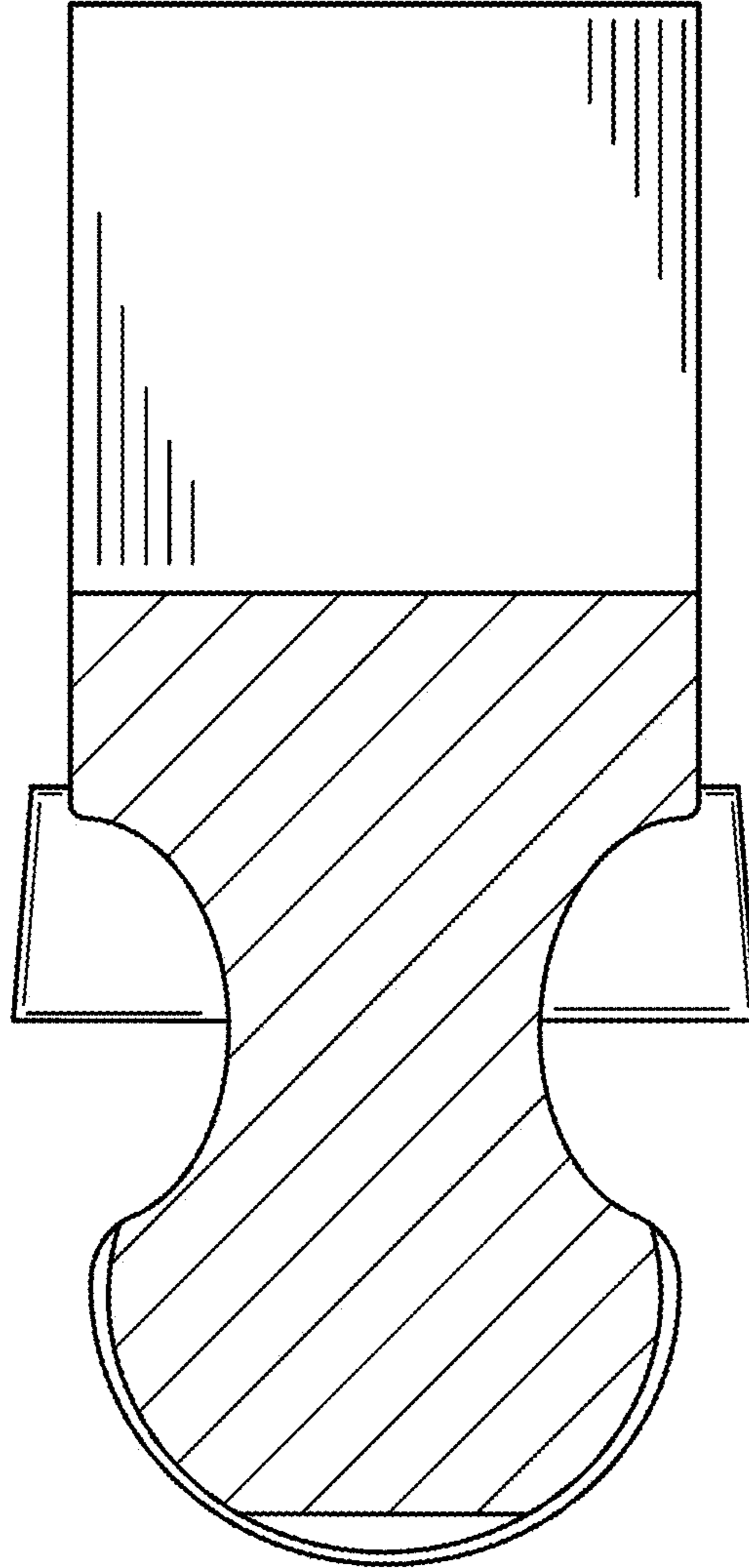


FIG. 12

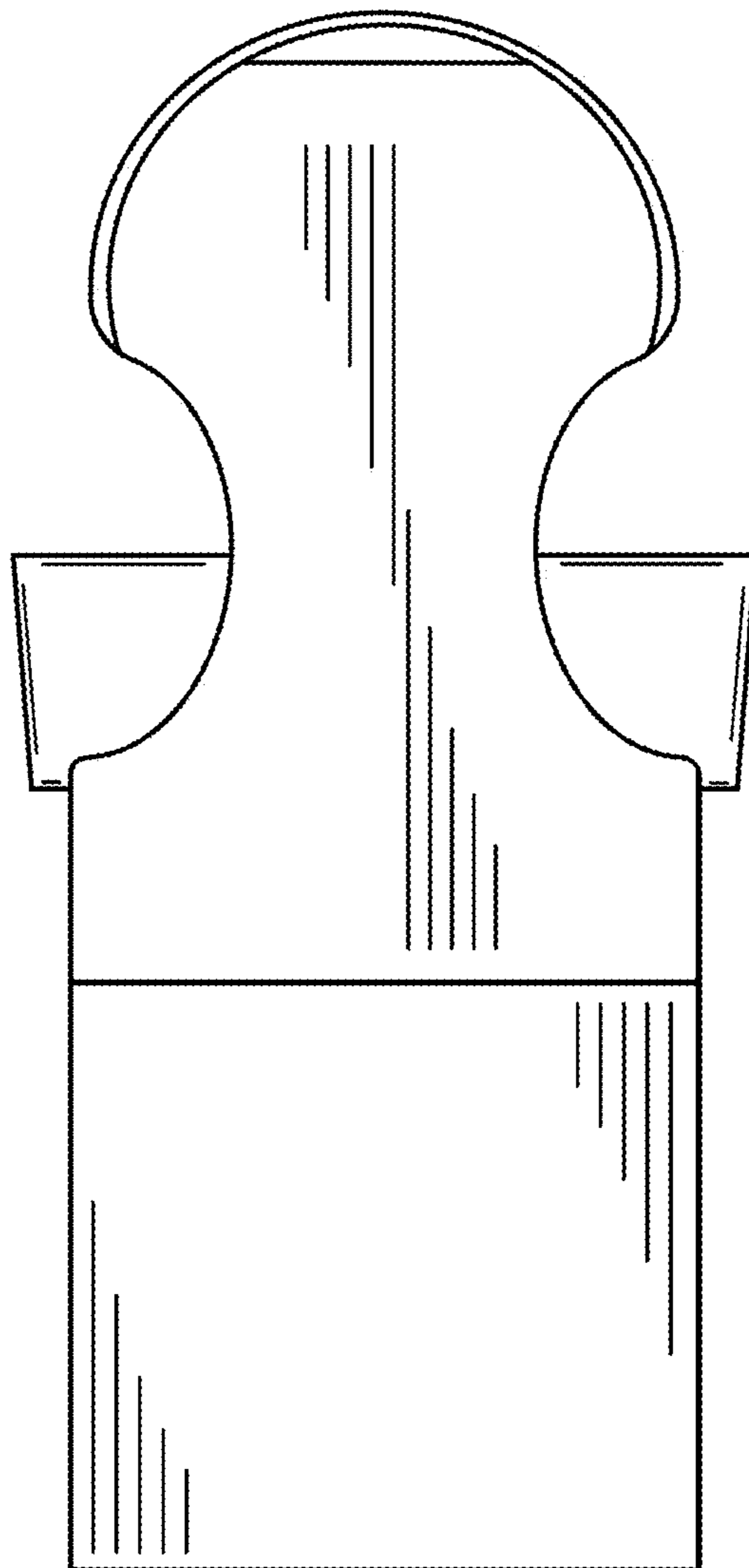


FIG. 13

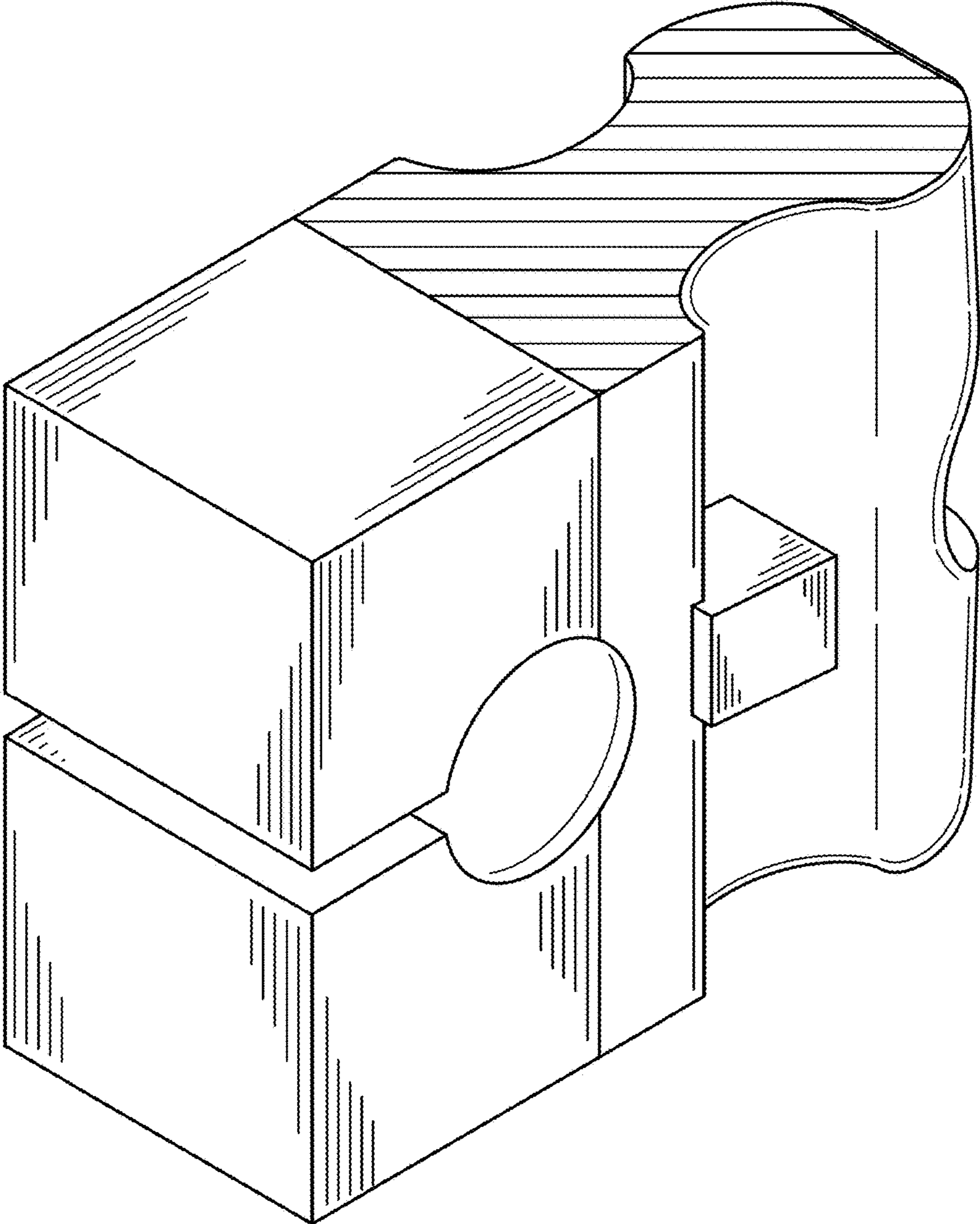


FIG. 14