



US00D823159S

(12) **United States Design Patent** (10) **Patent No.:** **US D823,159 S**
Xie (45) **Date of Patent:** **** Jul. 17, 2018**

(54) **BUCKLE**
(71) Applicant: **Huarong Xie**, Guangdong (CN)
(72) Inventor: **Huarong Xie**, Guangdong (CN)
(**) Term: **15 Years**
(21) Appl. No.: **29/616,881**

D368,239 S 3/1996 Lozano
D415,067 S * 10/1999 Tung D11/200
D450,561 S * 11/2001 Moore D11/200
D600,591 S 9/2009 Kosh et al.
D629,715 S * 12/2010 Hermann D11/210
D637,940 S * 5/2011 Hermann D11/210
D667,212 S 9/2012 Reilly
D739,300 S 9/2015 Iannello et al.
D775,547 S * 1/2017 Chen D11/208
D782,362 S 3/2017 Sumroy et al.
D788,254 S * 5/2017 Baehler D11/200

(22) Filed: **Sep. 9, 2017**
(51) **LOC (11) Cl.** **02-07**
(52) **U.S. Cl.**
USPC **D11/200**
(58) **Field of Classification Search**
USPC D11/1-2, 200-201, 206-210, 214-218;
24/163 R, 169-171, 173, 177-179, 191,
24/194-195, 197, 200, 614-616, 625,
24/198, 578.11, 578.1, 163 K, 114;
D2/853, 624
CPC A44B 11/26; A44B 11/25; A44B 11/06;
A44B 11/266; A44B 11/04; A44B 11/01;
A44B 11/001; A44B 11/10
See application file for complete search history.

FOREIGN PATENT DOCUMENTS

CN 303767464 S 8/2016
CN 304115656 S 4/2017

* cited by examiner

Primary Examiner — Ralf T Seifert
(74) *Attorney, Agent, or Firm* — Li-Jen Shen

(57) **CLAIM**

The ornamental design for a buckle, as shown and described.

DESCRIPTION

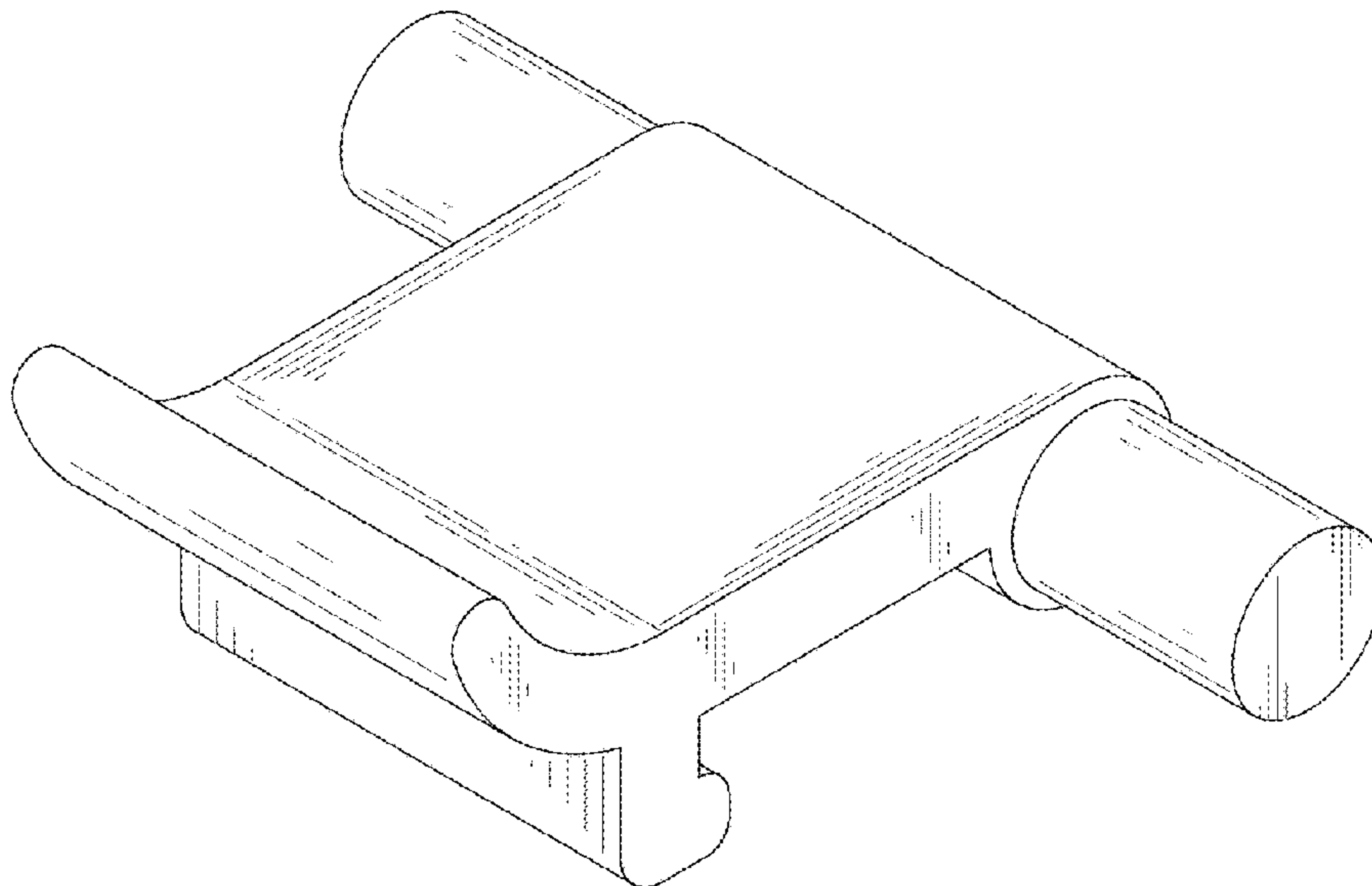
FIG. 1 is a first perspective view of a buckle showing my new design;
FIG. 2 is a second perspective view thereof;
FIG. 3 is a front elevational view thereof;
FIG. 4 is a rear elevational view thereof;
FIG. 5 is a left side view thereof;
FIG. 6 is a right side view thereof;
FIG. 7 is a top plan view thereof; and,
FIG. 8 is a bottom plan view thereof.
The broken line portions are included to show unclaimed subject matter only and form no part of the claimed design.

1 Claim, 8 Drawing Sheets

(56) **References Cited**

U.S. PATENT DOCUMENTS

D35,234 S * 10/1901 Phillips D11/200
1,243,565 A * 10/1917 Smith B65G 7/12
16/425
D116,335 S * 8/1939 Bibula D11/208
4,096,679 A * 6/1978 Naz E04F 13/0864
52/523
D275,621 S * 9/1984 Kanzaka D11/200
D313,205 S 12/1990 Mejias



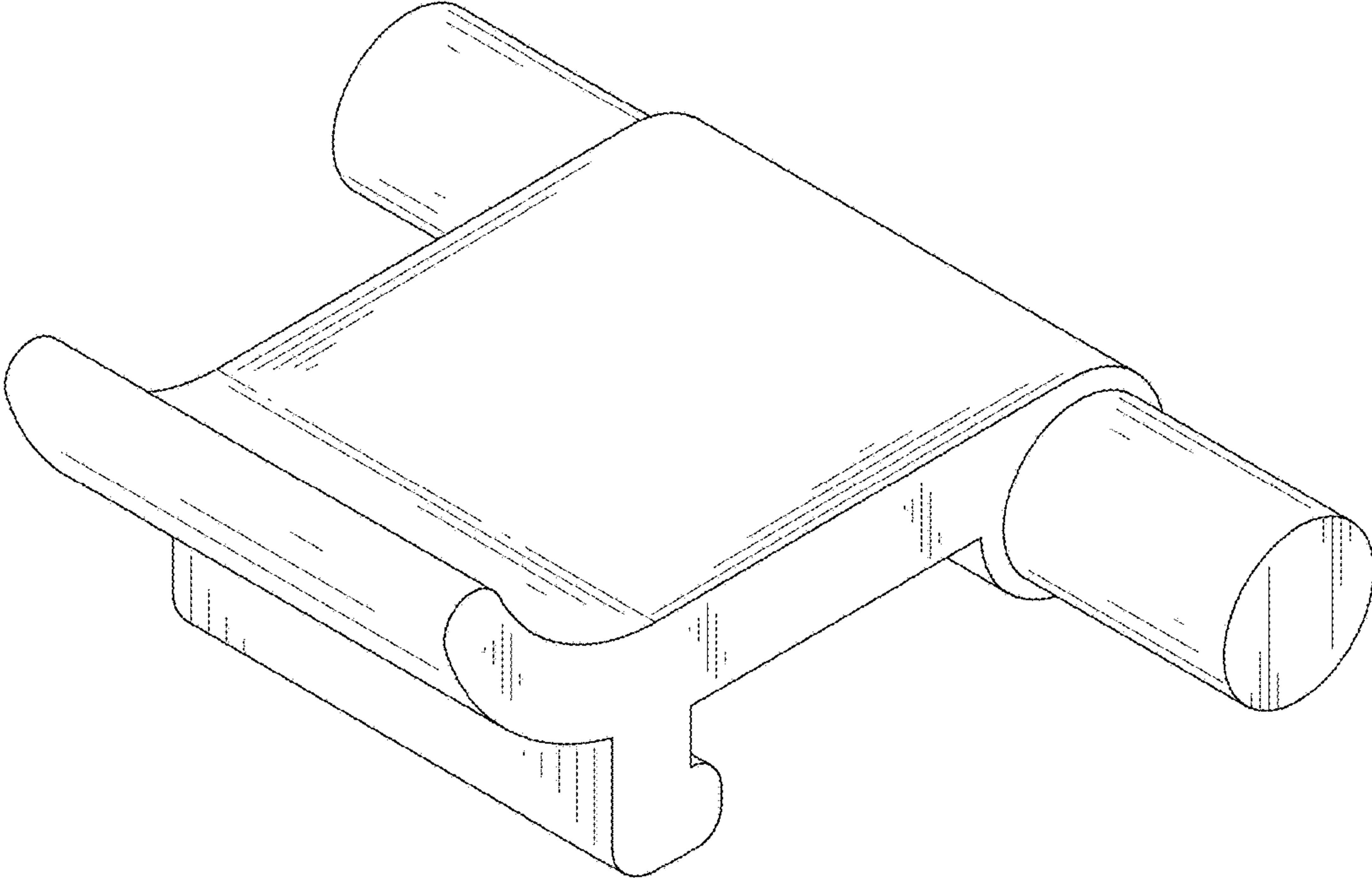


FIG. 1

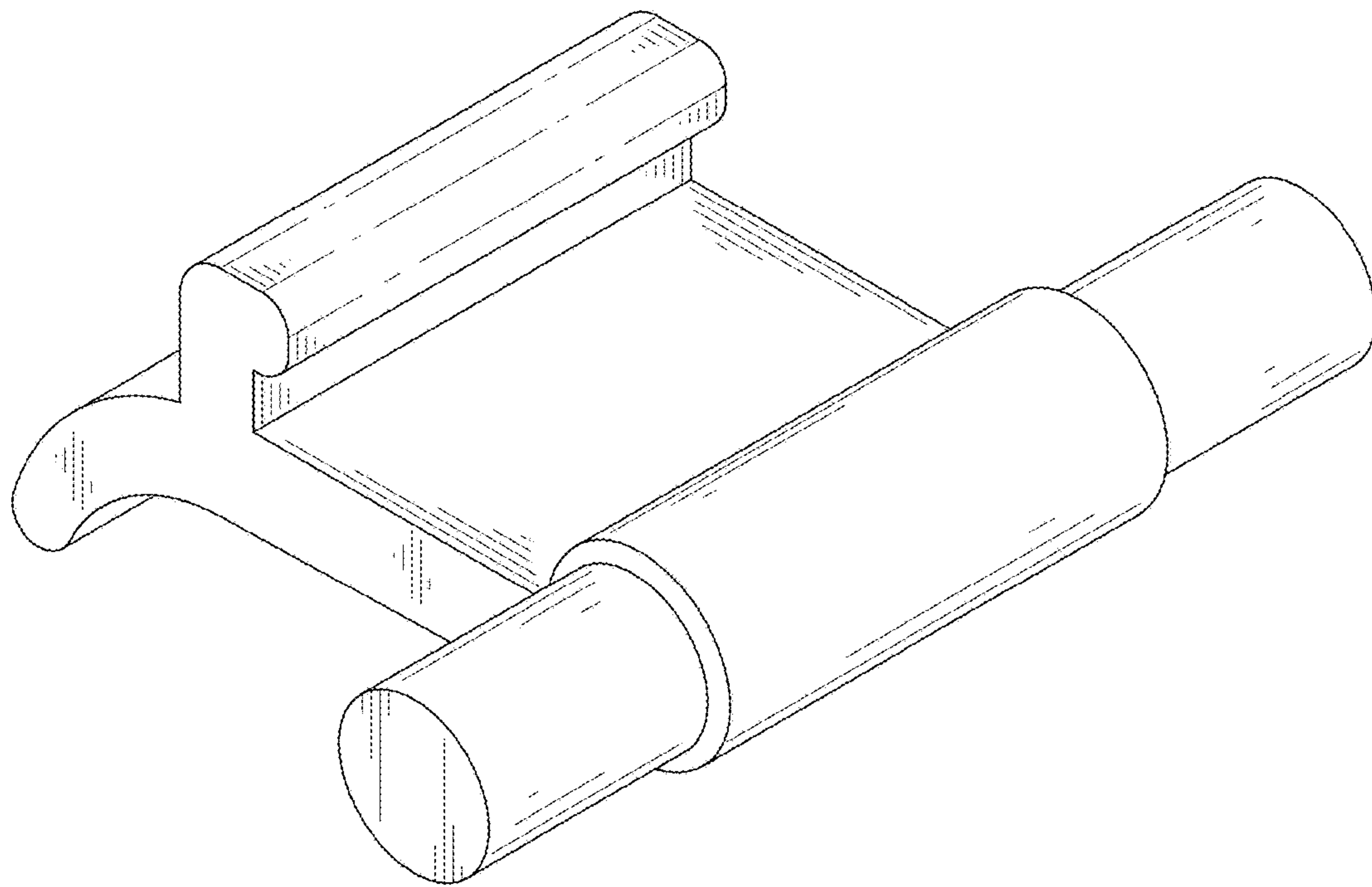


FIG. 2

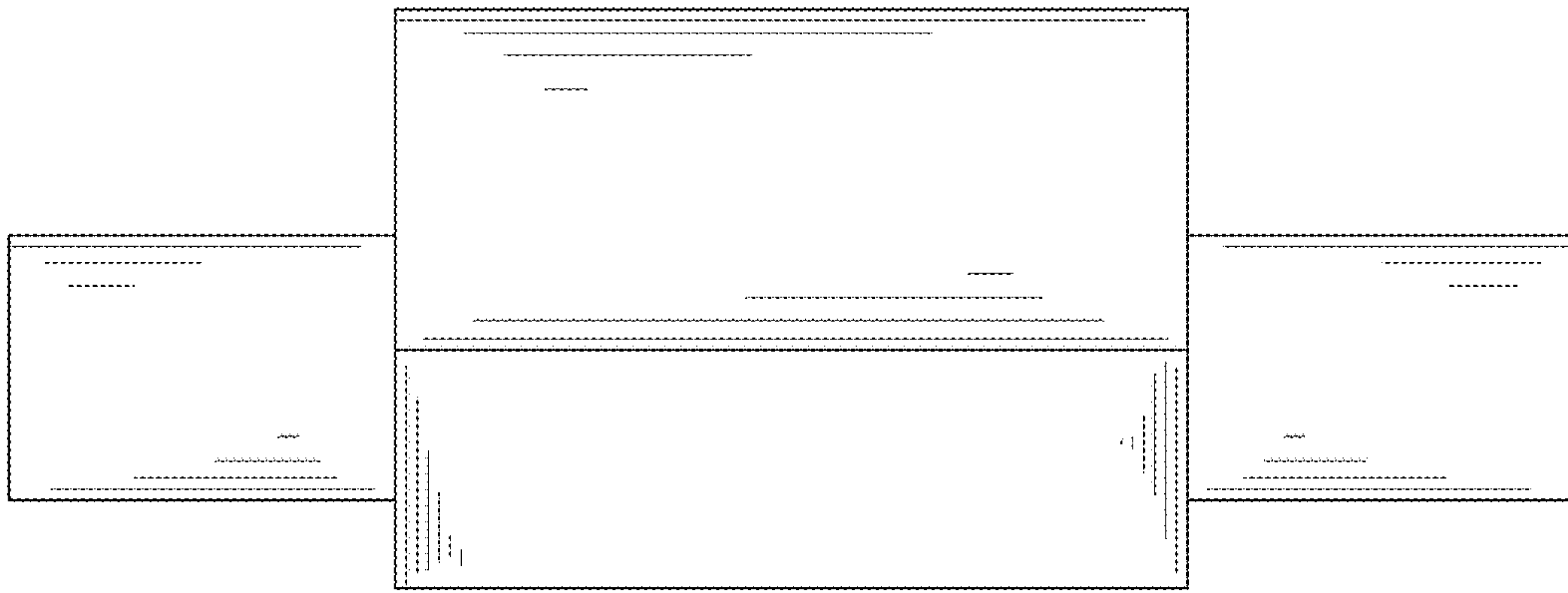


FIG. 3

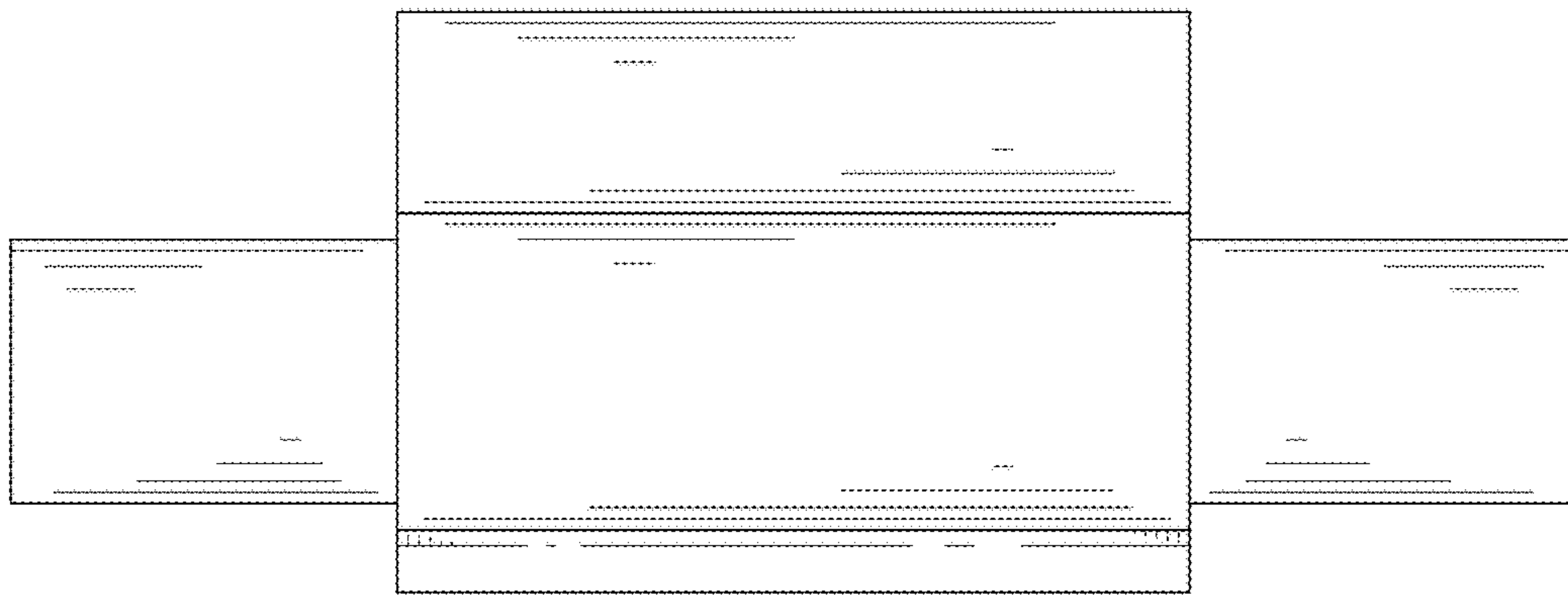


FIG. 4

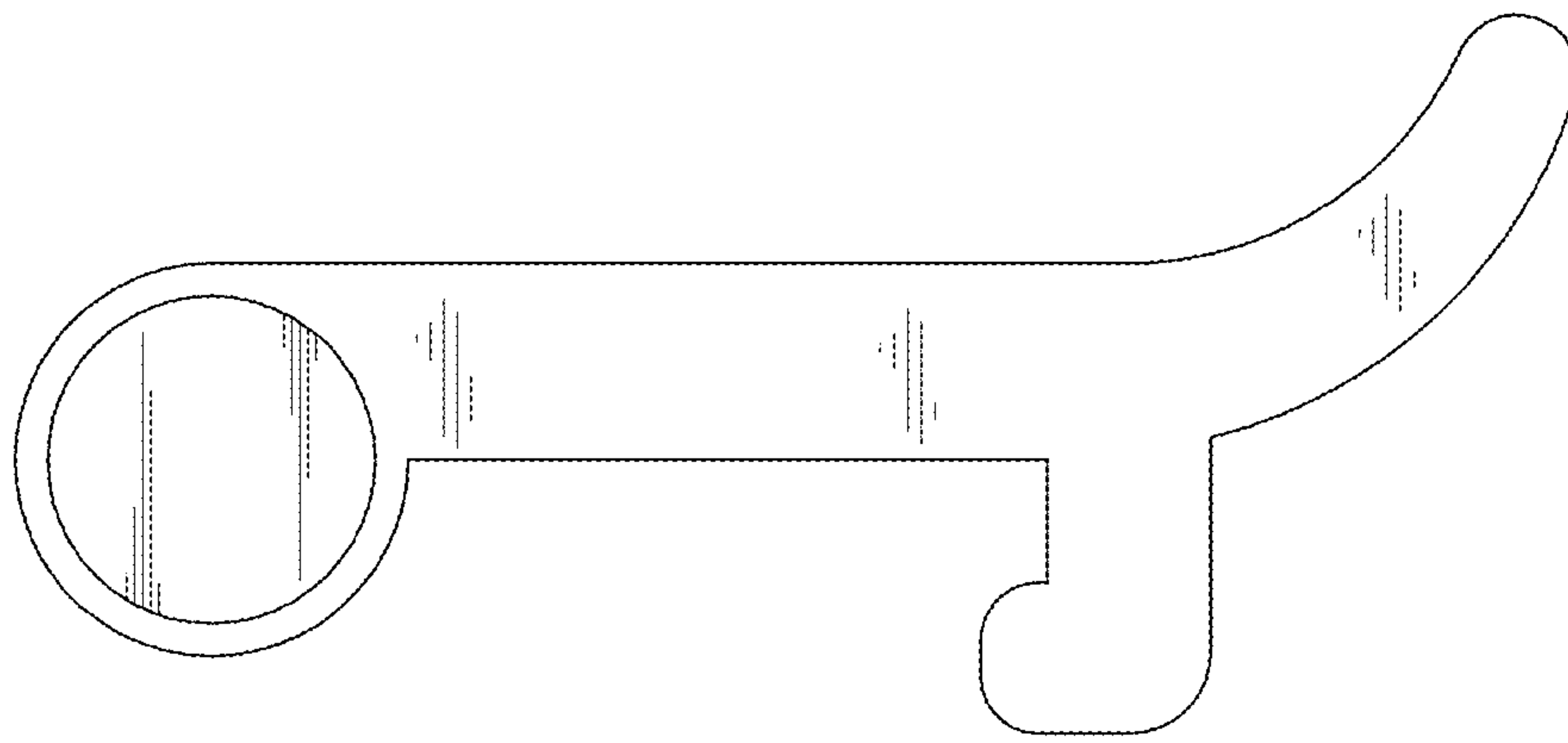


FIG. 5

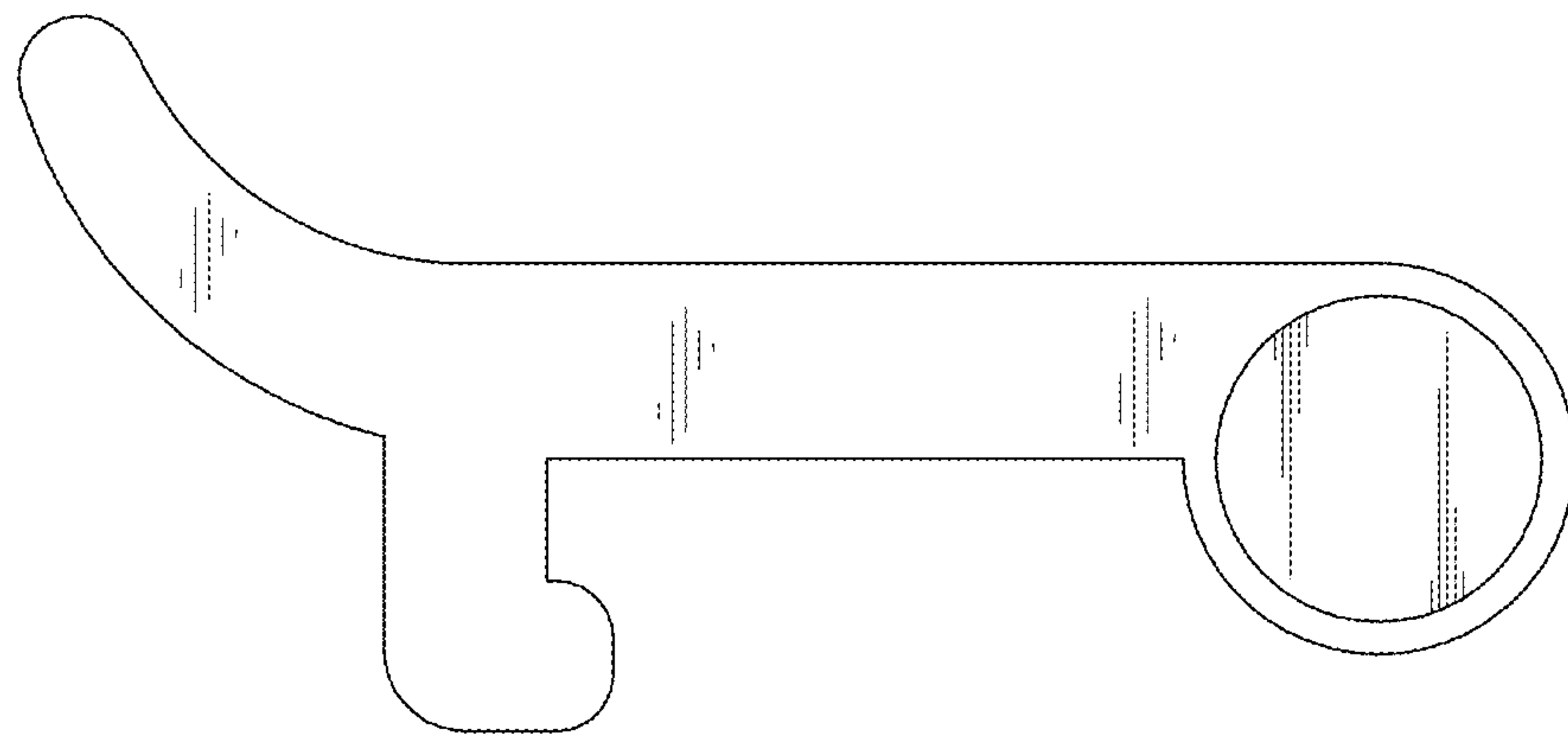


FIG. 6



FIG. 7

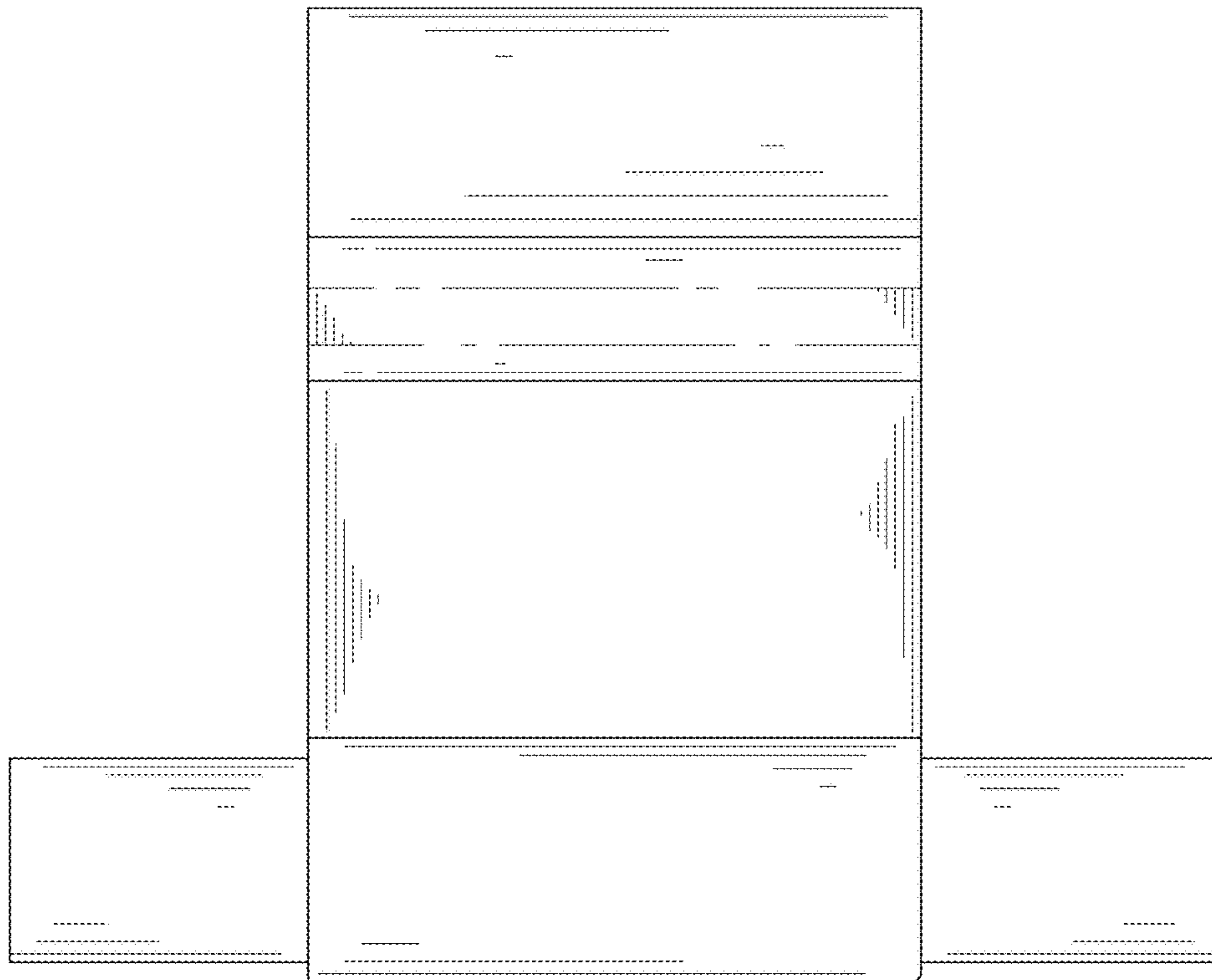


FIG. 8