



US00D823157S

(12) **United States Design Patent** (10) **Patent No.:** **US D823,157 S**
Merrell (45) **Date of Patent:** **** Jul. 17, 2018**

(54) **HEART SHAPED PLANTER WITH STAND**

(71) Applicant: **Brian Merrell**, Modesto, CA (US)

(72) Inventor: **Brian Merrell**, Modesto, CA (US)

(**) Term: **15 Years**

(21) Appl. No.: **29/583,898**

(22) Filed: **Nov. 9, 2016**

(51) **LOC (11) Cl.** **11-02**

(52) **U.S. Cl.**
USPC **D11/149**

(58) **Field of Classification Search**
USPC D11/151, 154, 156, 152, 157, 143, 148,
D11/425; D6/403, 405, 513, 556, 572,
D6/565, 573, 675.1, 680.1; D21/338;
D23/267; D25/164; D34/7; D3/276,
D3/292, 308, 313, 315; D7/359, 550.1,
D7/554.3, 600; D8/381; D99/5; D9/425
CPC A47G 7/044; A01G 31/02
See application file for complete search history.

(56) **References Cited**

U.S. PATENT DOCUMENTS

451,645	A	5/1891	Tudor	
1,344,526	A	6/1920	Tiley	
1,353,709	A	9/1920	Bauer	
D67,292	S	5/1925	Manos	
D120,216	S *	4/1940	Craven	D11/150
D169,367	S	4/1953	Ferraro	
4,058,929	A	11/1977	O'Connell	
D252,590	S	8/1979	Peretti	
D257,498	S	11/1980	Waterfield	
D312,225	S	11/1990	Morando	
D318,252	S *	7/1991	Bakter	D11/131
D323,753	S *	2/1992	Johnston	D11/131
D334,356	S	3/1993	Lomeli	
5,588,253	A	12/1996	Boodley et al.	
6,079,154	A	6/2000	Farwell	
D470,991	S *	2/2003	Goldstein	D99/5
D476,130	S *	6/2003	Joy	D99/5

D498,367	S	11/2004	Bodechon	
D518,755	S	4/2006	Kavur	
7,143,543	B1	12/2006	Daniell	
D577,074	S *	9/2008	Sand	D19/91
D577,312	S	9/2008	Kahan	
D612,572	S *	3/2010	Doty	D99/5
D656,429	S	3/2012	Cadigan	
8,151,516	B1	4/2012	Harshman	
D688,590	S *	8/2013	Merrell	D11/149

(Continued)

OTHER PUBLICATIONS

Etsy: OutOfTheBoxDesignRNO, Large Heart Succulent Planter, Puublication Date Unknown, [site visited Jan. 16, 2018], Available on the Internet URL: <https://www.etsy.com/listing/467016927/large-heart-succulent-planter>.*

Primary Examiner — Karen S Acker
Assistant Examiner — Steven B Reinholdt, Jr.
(74) *Attorney, Agent, or Firm* — Kirk A. Buhler; Buhler & Associates

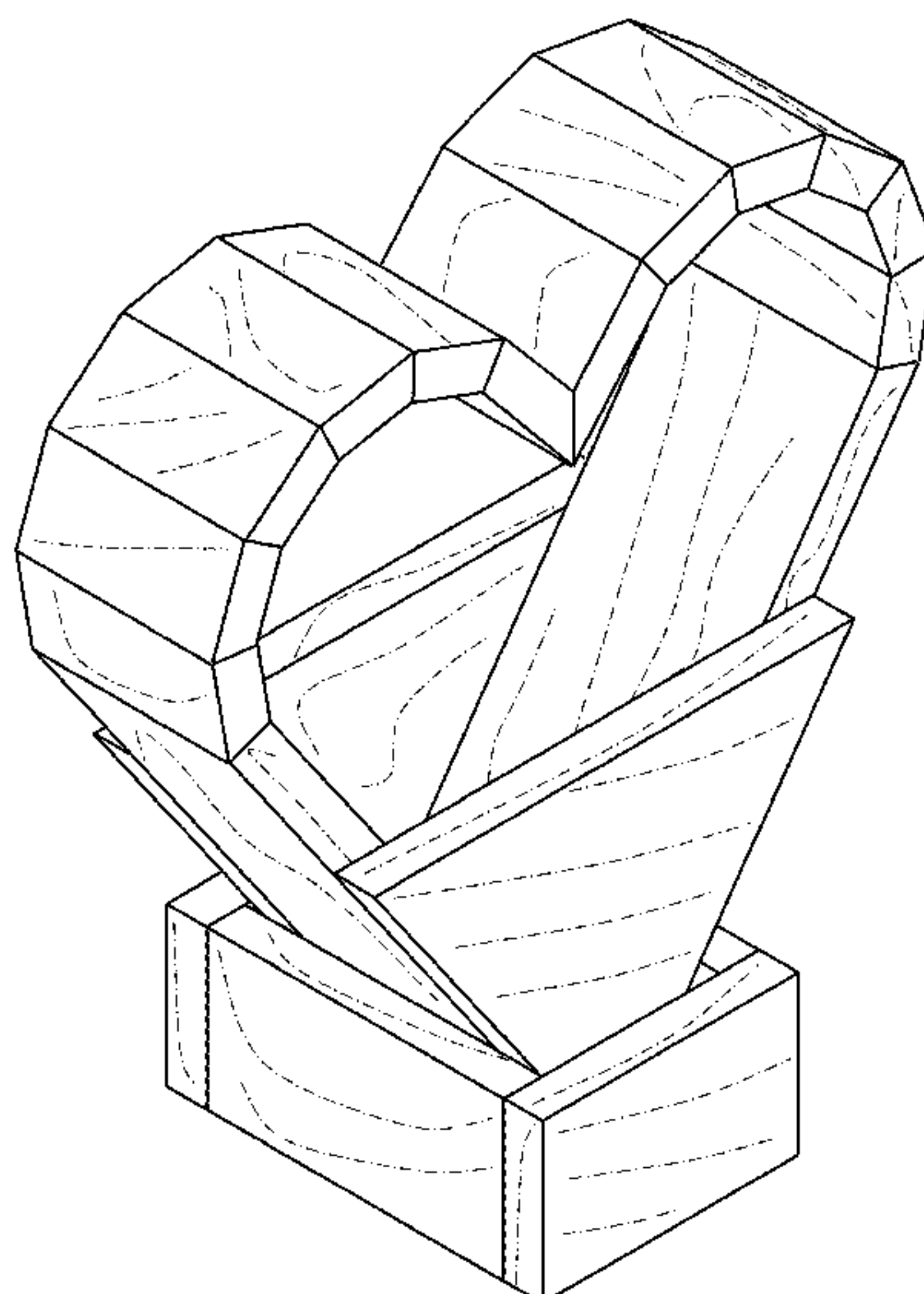
(57) **CLAIM**

The ornamental design for a heart shaped planter with stand, as shown and described.

DESCRIPTION

FIG. 1 is a top perspective view of a heart shaped planter with stand showing my new design; FIG. 2 is a front view thereof; FIG. 3 is a right side view thereof; FIG. 4 is a rear view thereof; FIG. 5 is a left side view thereof; FIG. 6 is a bottom view thereof; and, FIG. 7 is a top view. The dot dash dot broken lines depict a wood grain decoration on the planar surfaces and form no part of the claimed design. The evenly spaced broken lines in FIG. 6 depict the boundary of the claim and form no part thereof.

1 Claim, 4 Drawing Sheets



(56)

References Cited

U.S. PATENT DOCUMENTS

D715,683 S * 10/2014 Letney D11/157
D715,684 S * 10/2014 Letney D11/157
D773,568 S * 12/2016 De Marchis D21/681
2012/0247014 A1 10/2012 Kepes et al.

* cited by examiner

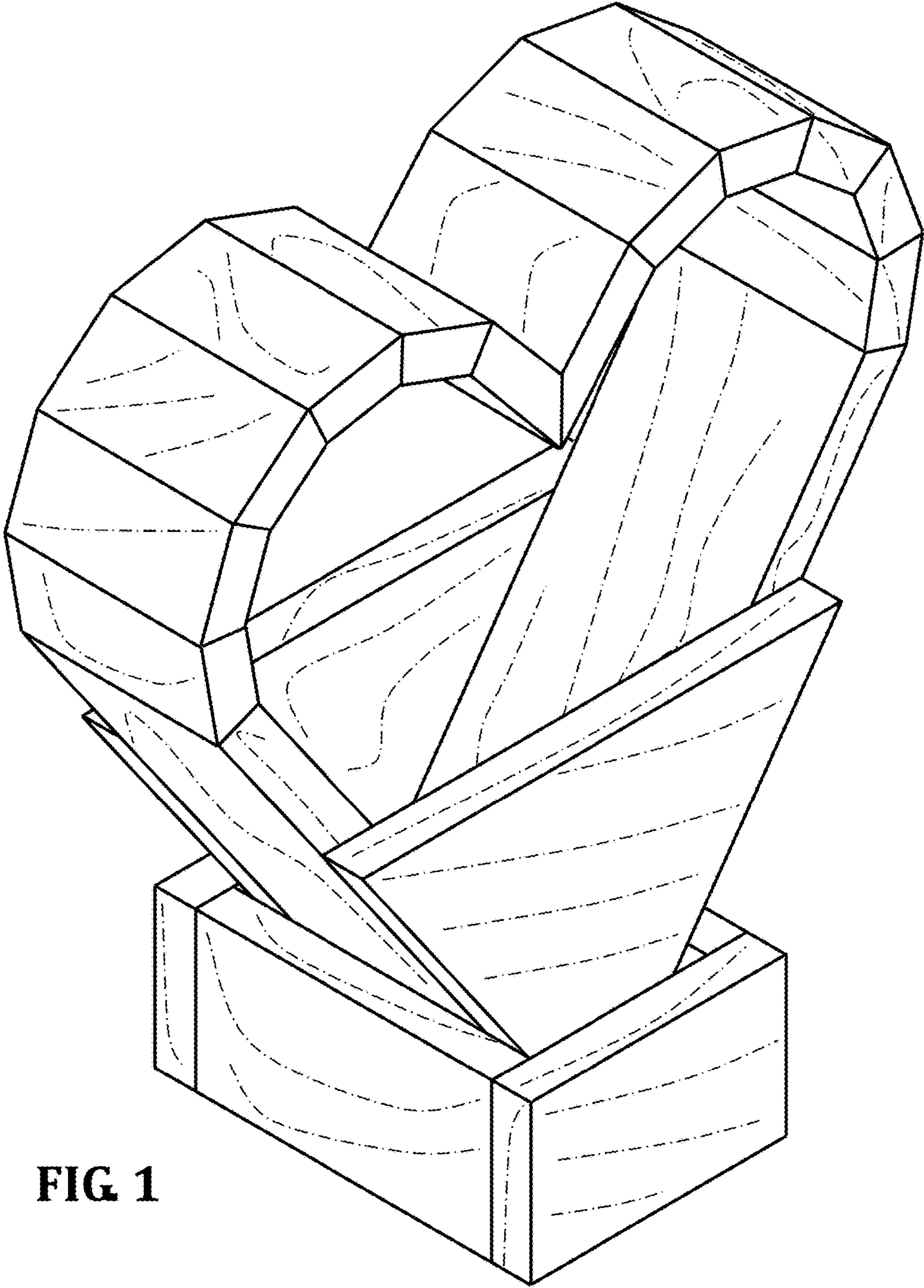


FIG 1

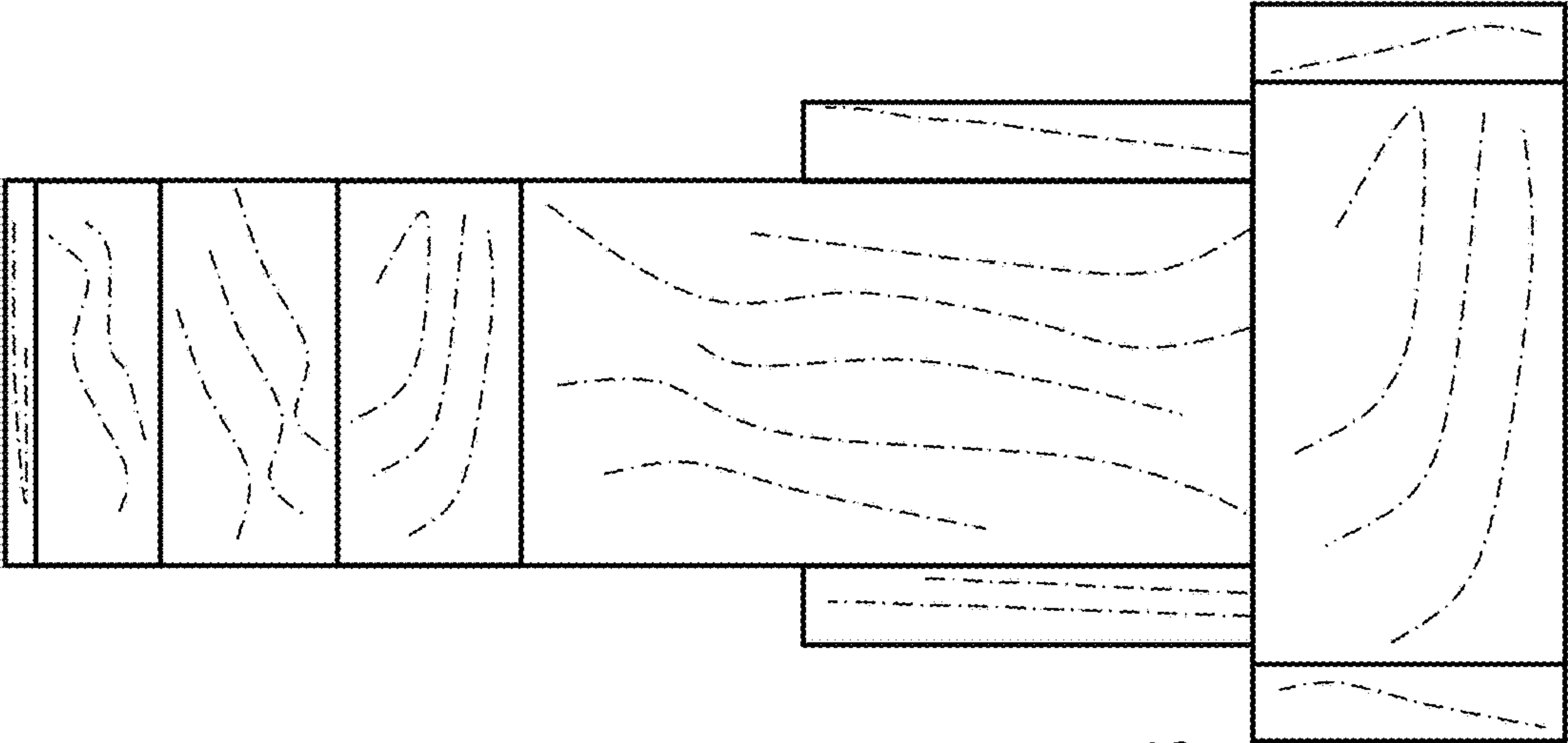


FIG 3

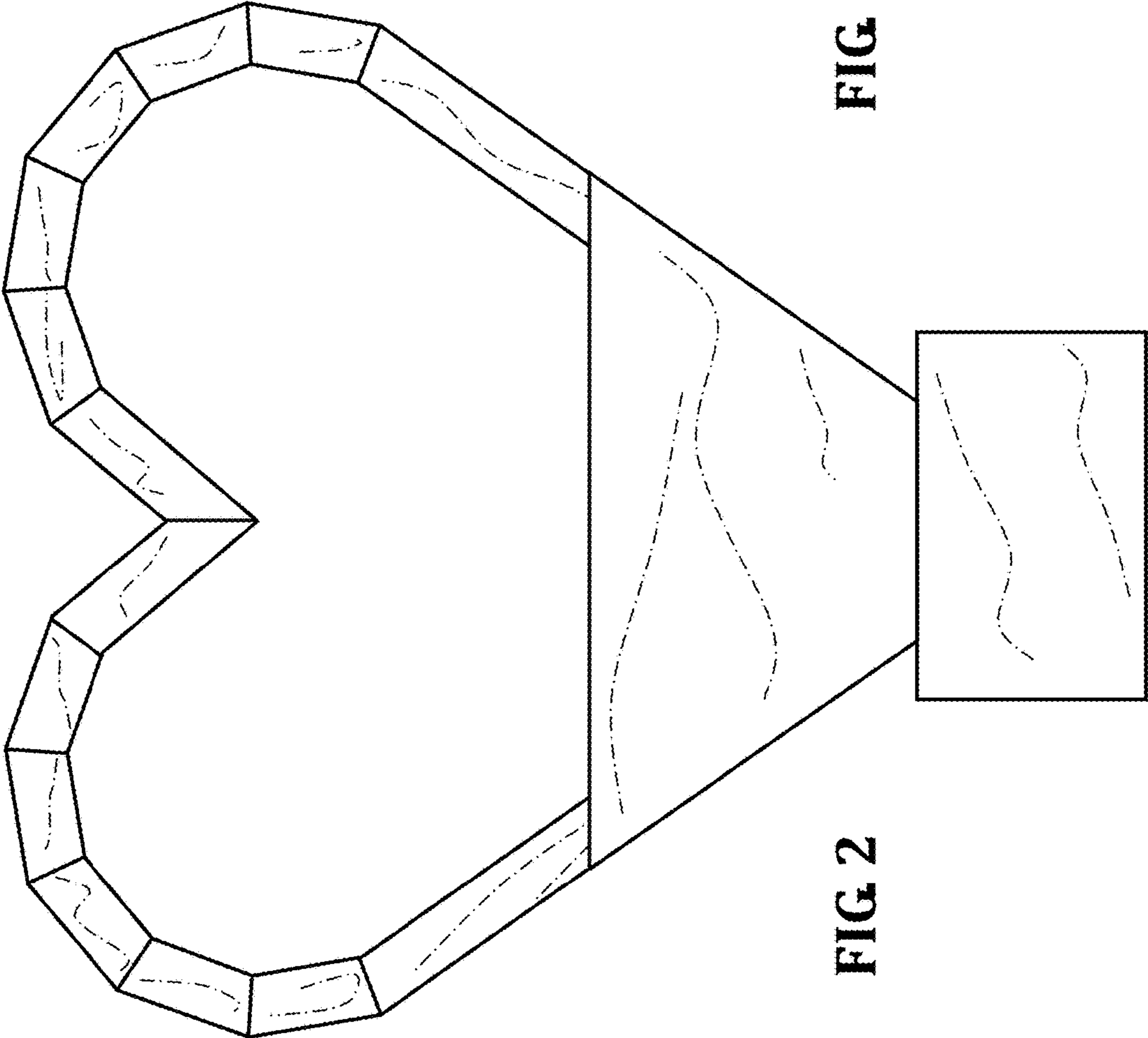


FIG 2

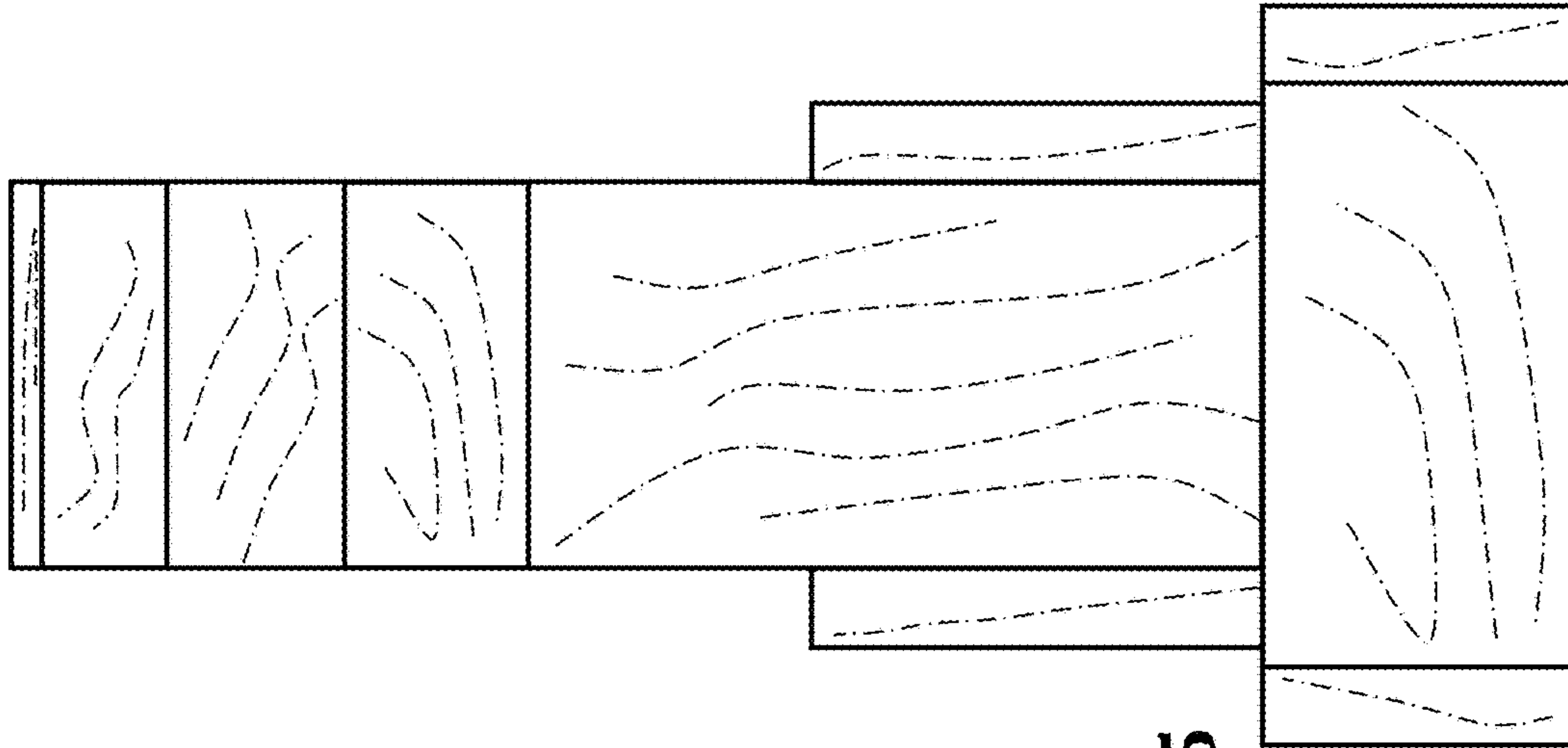


FIG 5

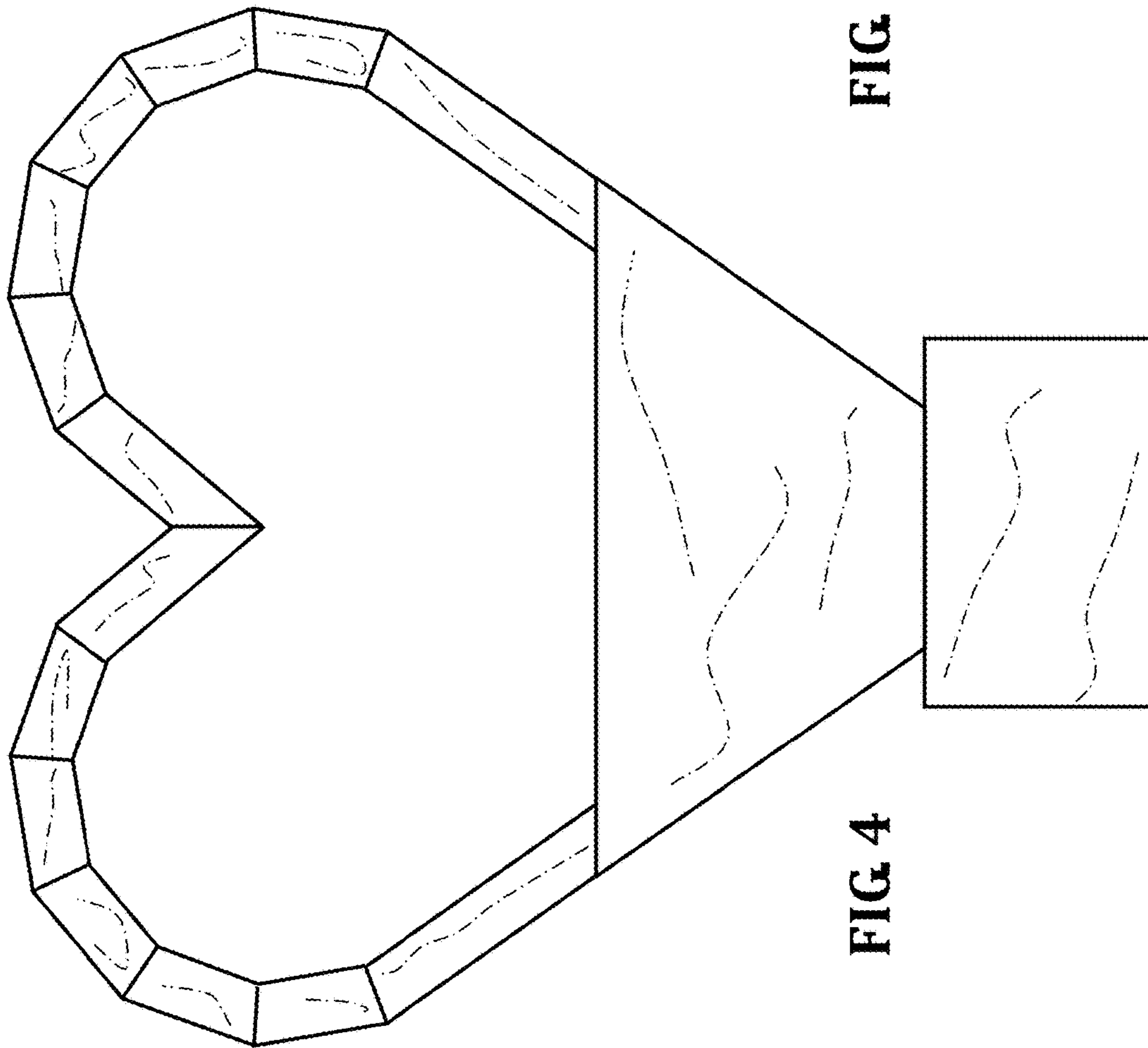


FIG 4

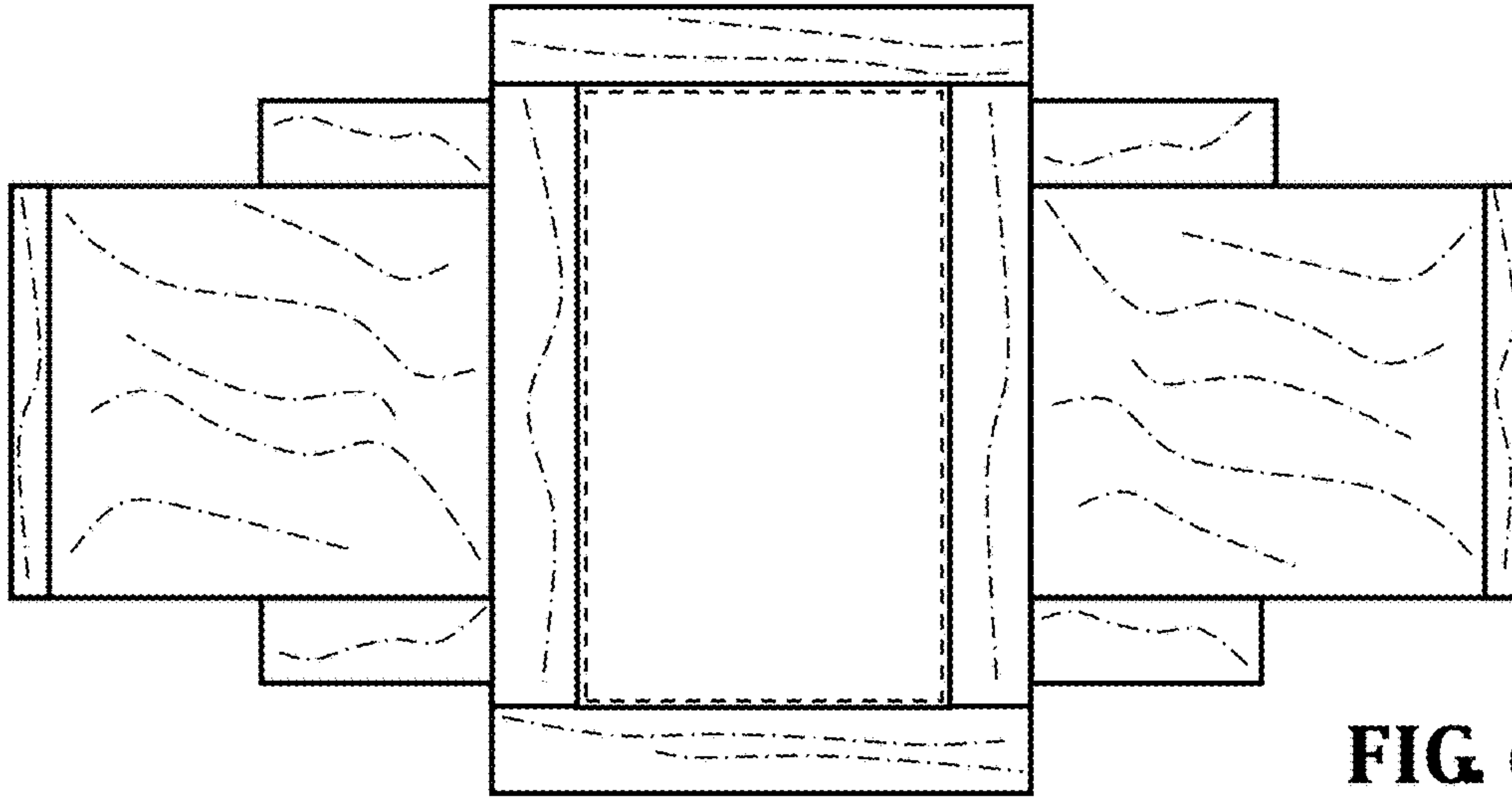


FIG 6

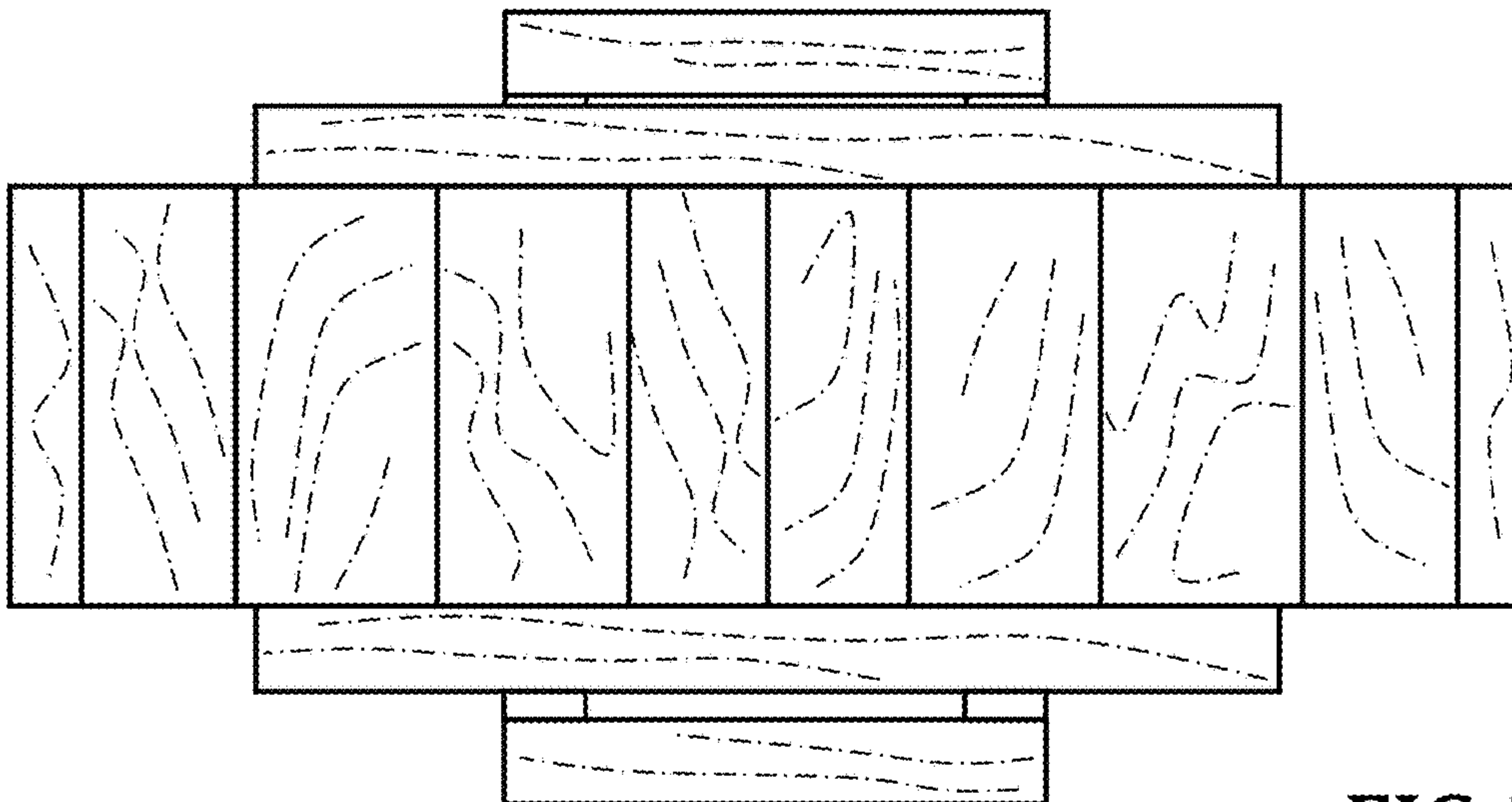


FIG 7