



US00D823156S

(12) **United States Design Patent** (10) **Patent No.:** **US D823,156 S**
Woltz (45) **Date of Patent:** **** Jul. 17, 2018**

- (54) **PLANT GROWING CONTAINER**
- (71) Applicant: **EDN, Inc.**, Denver, CO (US)
- (72) Inventor: **Ryan Michael Woltz**, Denver, CO (US)
- (73) Assignee: **EDN, Inc.**, Denver, CO (US)
- (**) Term: **15 Years**
- (21) Appl. No.: **29/577,735**
- (22) Filed: **Nov. 19, 2016**
- (51) **LOC (11) Cl.** **11-02**
- (52) **U.S. Cl.**
USPC **D11/148**
- (58) **Field of Classification Search**
USPC D11/151, 154, 156, 152, 157, 143, 148,
D11/425; D6/403, 405, 513, 556, 572,
D6/565, 573, 675.1, 680.1; D21/338;
D23/267; D25/164; D34/7; D3/276,
D3/292, 308, 313, 315; D7/359, 550.1,
D7/554.3, 600; D8/381; D99/5; D9/425
CPC A47G 7/044; A01G 31/02
See application file for complete search history.

D569,304 S * 5/2008 Kurtz D11/156
D714,184 S * 9/2014 Lucht D11/155
2008/0302943 A1* 12/2008 Lunato A47G 7/044
248/558

OTHER PUBLICATIONS

AeroGarden, "Grow Fresh Herbs & Vegetables Year-Round", Retrieved from <http://www.aerogarden.com/>, Known to exist as early as Mar. 23, 2004, p. 1.
Greenhome123, "Aquaponics Indoor Garden Aquaculture Hydroponic System W/ Grow Light", Retrieved from <http://www.greenhome123.com/aquaponics-indoor-garden-aquaculture-hydroponic-system-w-grow-light/>, Apr. 21, 2013, p. 2.
Click and Grow, LLC., "A Smart Garden for a Modern Life", Retrieved from <https://www.clickandgrow.com/>, Known to exist as early as Feb. 25, 2010, p. 1.

(Continued)

Primary Examiner — Karen S Acker
Assistant Examiner — Steven B Reinholdt, Jr.
(74) *Attorney, Agent, or Firm* — Neugeboren O'Dowd PC

(57) **CLAIM**

I claim the ornamental design for a plant growing container, as shown.

DESCRIPTION

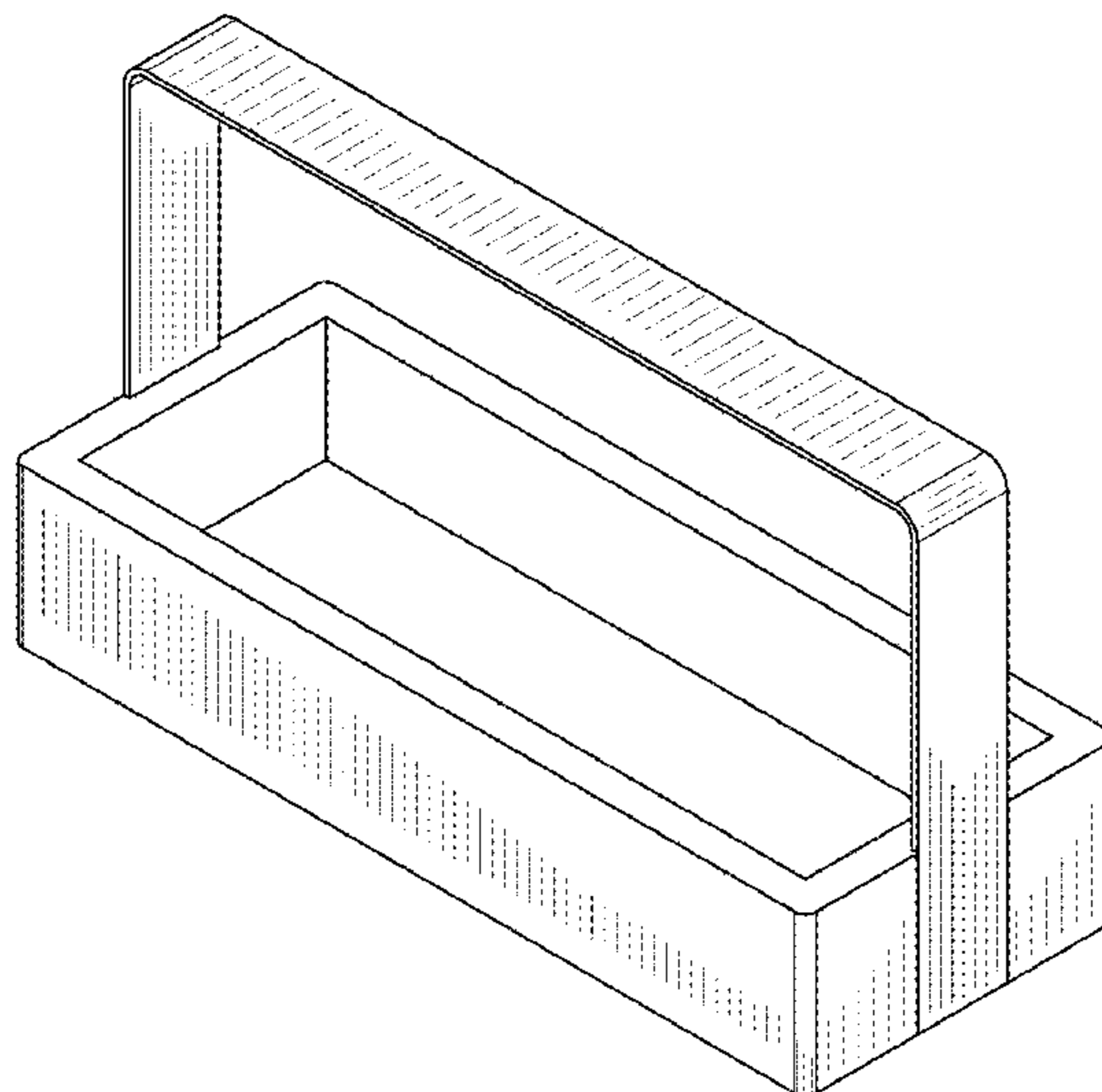
FIG. 1 is a right, front, top perspective view of the plant growing container showing my new design;
FIG. 2 is a front elevation view thereof;
FIG. 3 is a rear elevation view thereof;
FIG. 4 is a left side plan view thereof;
FIG. 5 is a right side plan view thereof;
FIG. 6 is a top elevation view thereof; and,
FIG. 7 is a bottom elevation view thereof.
The shade lines in the Figures show contour and not surface ornamentation.

1 Claim, 7 Drawing Sheets

(56) **References Cited**

U.S. PATENT DOCUMENTS

D212,438 S *	10/1968	Fujita	D11/148
D296,089 S *	6/1988	Pouliot	D11/143
D302,534 S *	8/1989	Granger	D11/156
D331,307 S *	11/1992	McConnell	D3/308
D352,516 S *	11/1994	Newman	D24/218
D353,049 S *	12/1994	Schmidt	D3/283
D365,232 S *	12/1995	Briault	D11/156
D468,663 S *	1/2003	Fan	D11/156
D474,891 S *	5/2003	Huang	D3/309
D486,420 S *	2/2004	Fan	D11/156
D520,239 S *	5/2006	Rand	D3/304



(56)

References Cited

OTHER PUBLICATIONS

Bharat, “Automatic MI Garden Grows Plants Indoors at the Push of a Button”, Retrieved from <http://www.homecrux.com/2012/11/01/1922/automatic-mi-garden-grows-plants-indoors-at-the-push-of-a-button.html>, Nov. 1, 2012, p. 8.

Hydrogalaxy, “Aerogarden 7 LED With Gourmet Herb Seed Kit”, Retrieved from <http://www.hydrogalaxy.com/ready-to-grow-herb-kits/aerogarden-7-led-with-gourmet-herb-seed-kit/>, Known to exist as early as Jan. 12, 2017, p. 4.

Lilo, “Lilo: The Easy Way to Grow Fresh Herbs at Home”, Retrieved from <https://www.kickstarter.com/projects/pretapoussier/lilo-the-easy-way-to-grow-fresh-herbs-at-home>, Known to exist as early as May 30, 2015, p. 32.

The Windowfarms Project, “Brand New Windowfarms—Vertical Food Gardens”, Retrieved from <https://www.kickstarter.com/projects/windowfarms/learn-to-grow-and-share-with-new-windowfarms>, Nov. 17, 2011, p. 12.

Omkar, “Pod Fogponic Garden System by Greenfingers”, Retrieved from <http://thedesignhome.com/2012/11/pod-fogponic-garden-system-by-greenfingers/>, Nov. 20, 2012, p. 9.

* cited by examiner

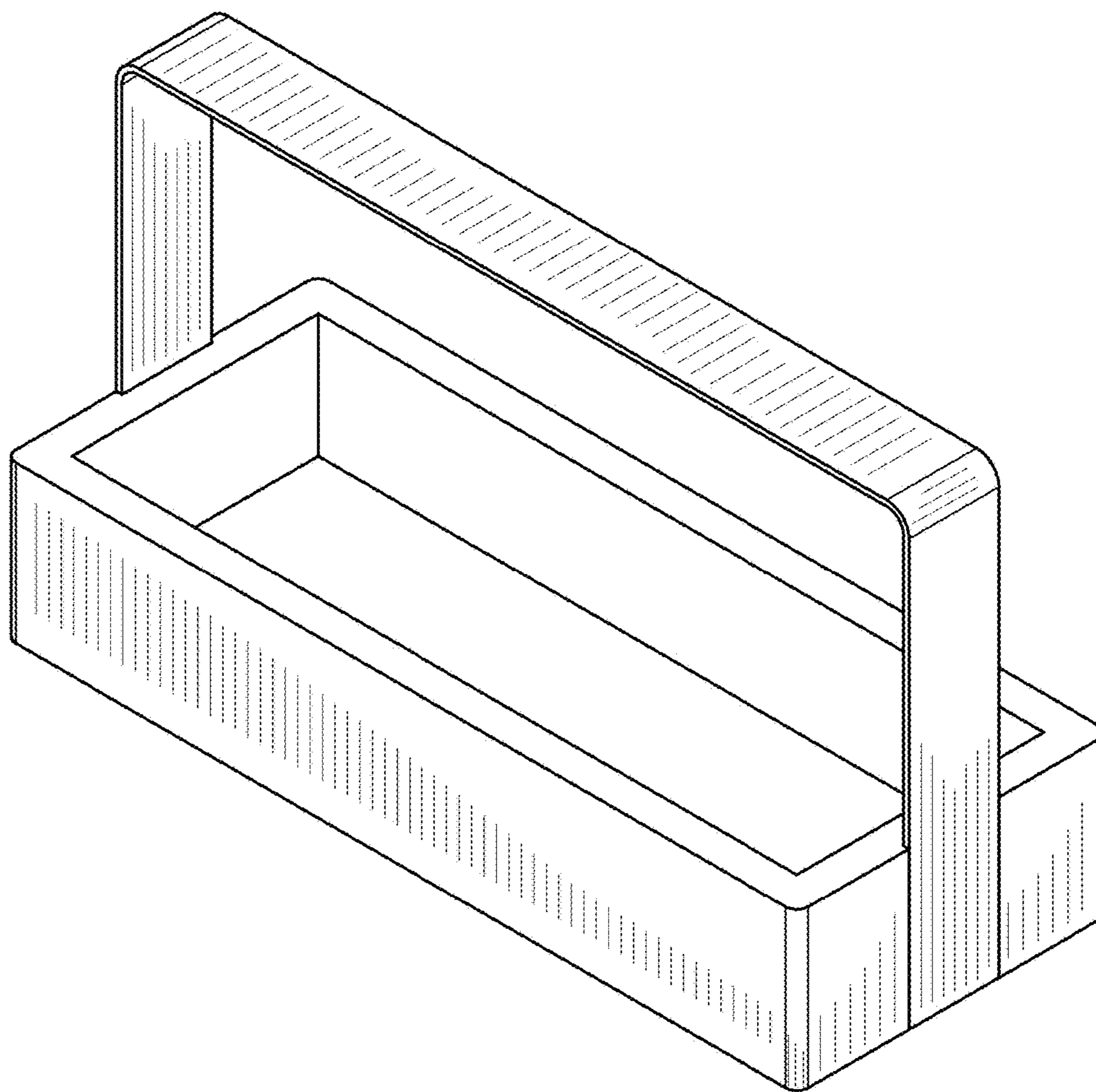


Fig. 1



Fig. 2

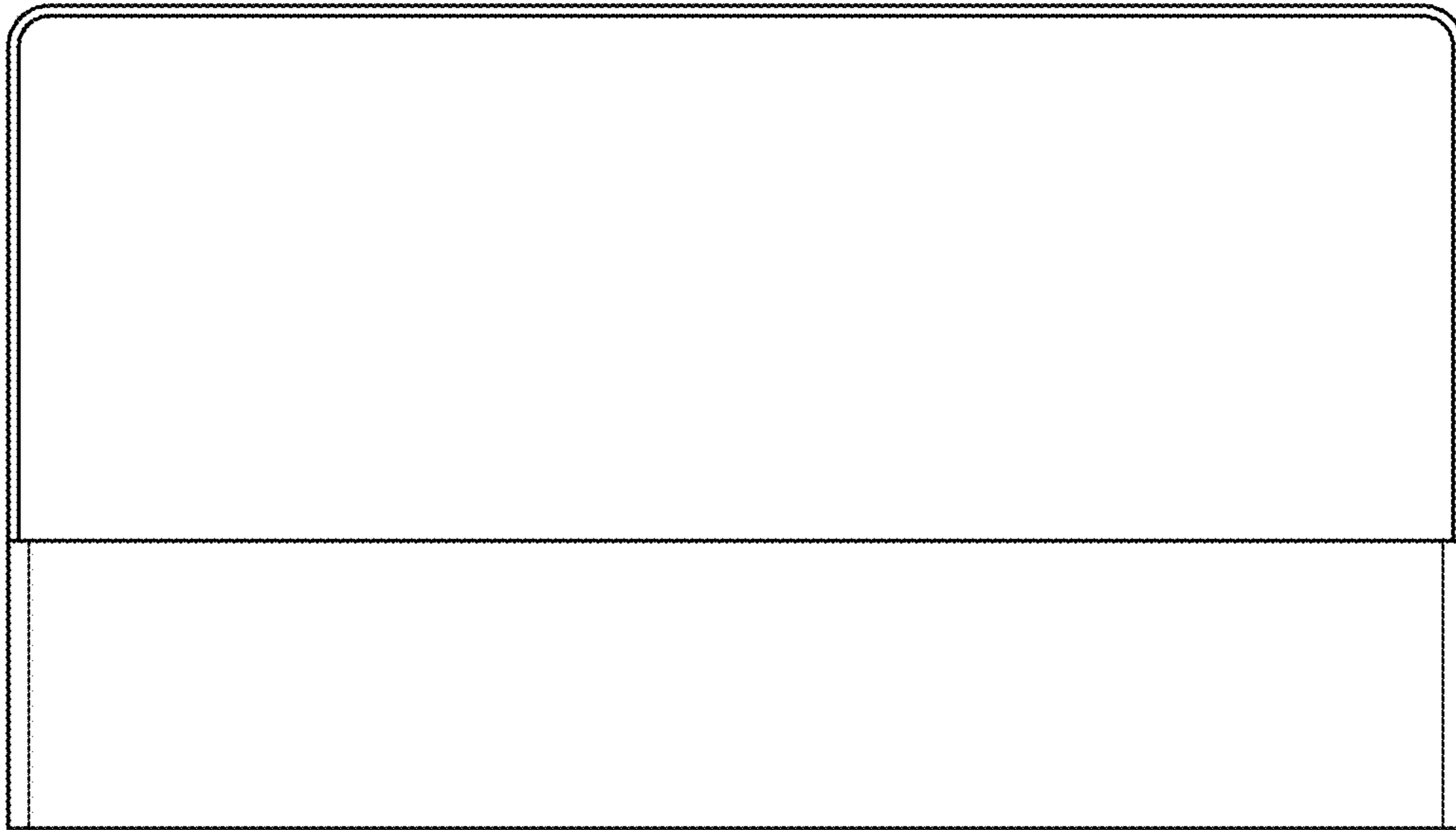


Fig. 3

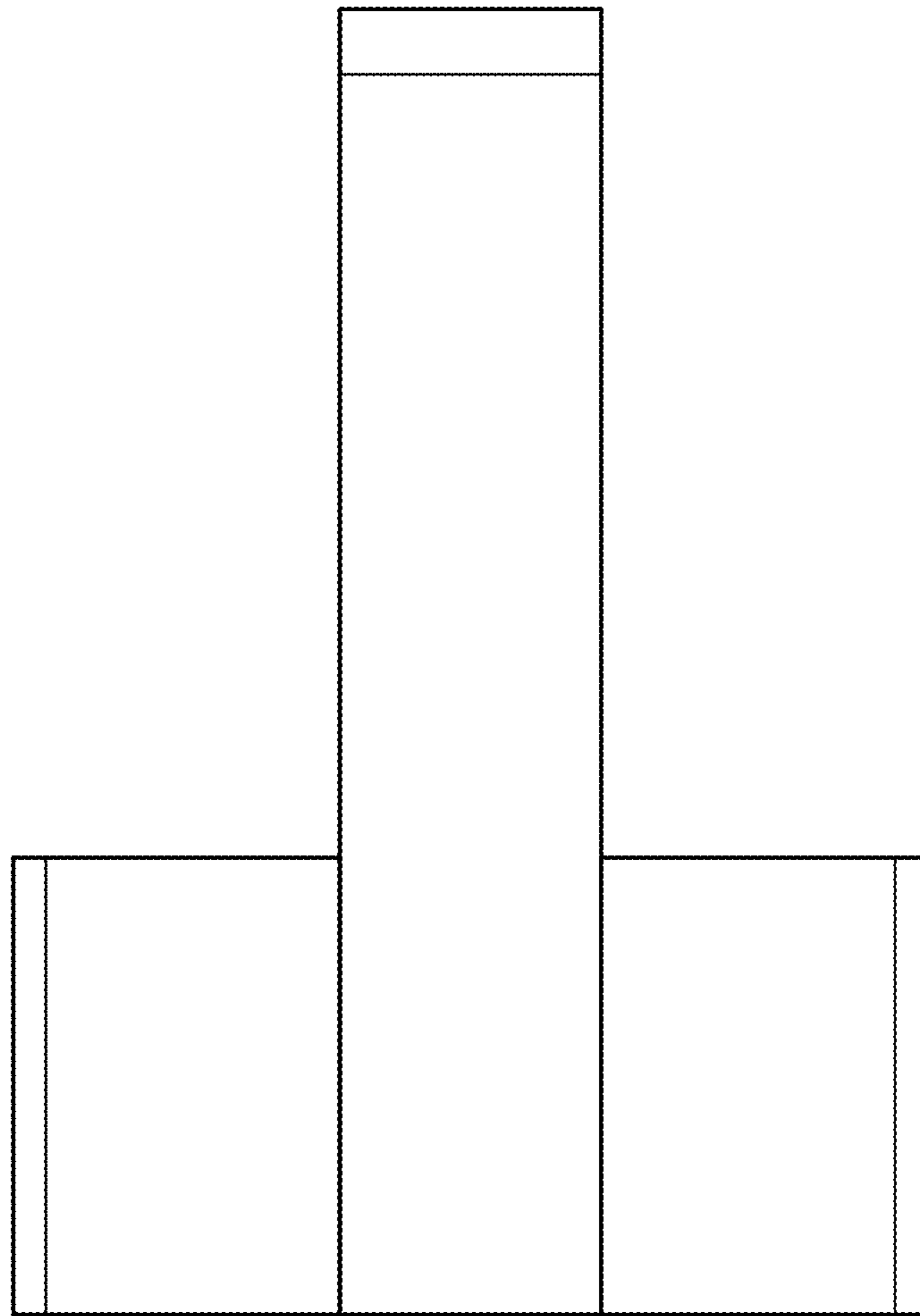


Fig. 4

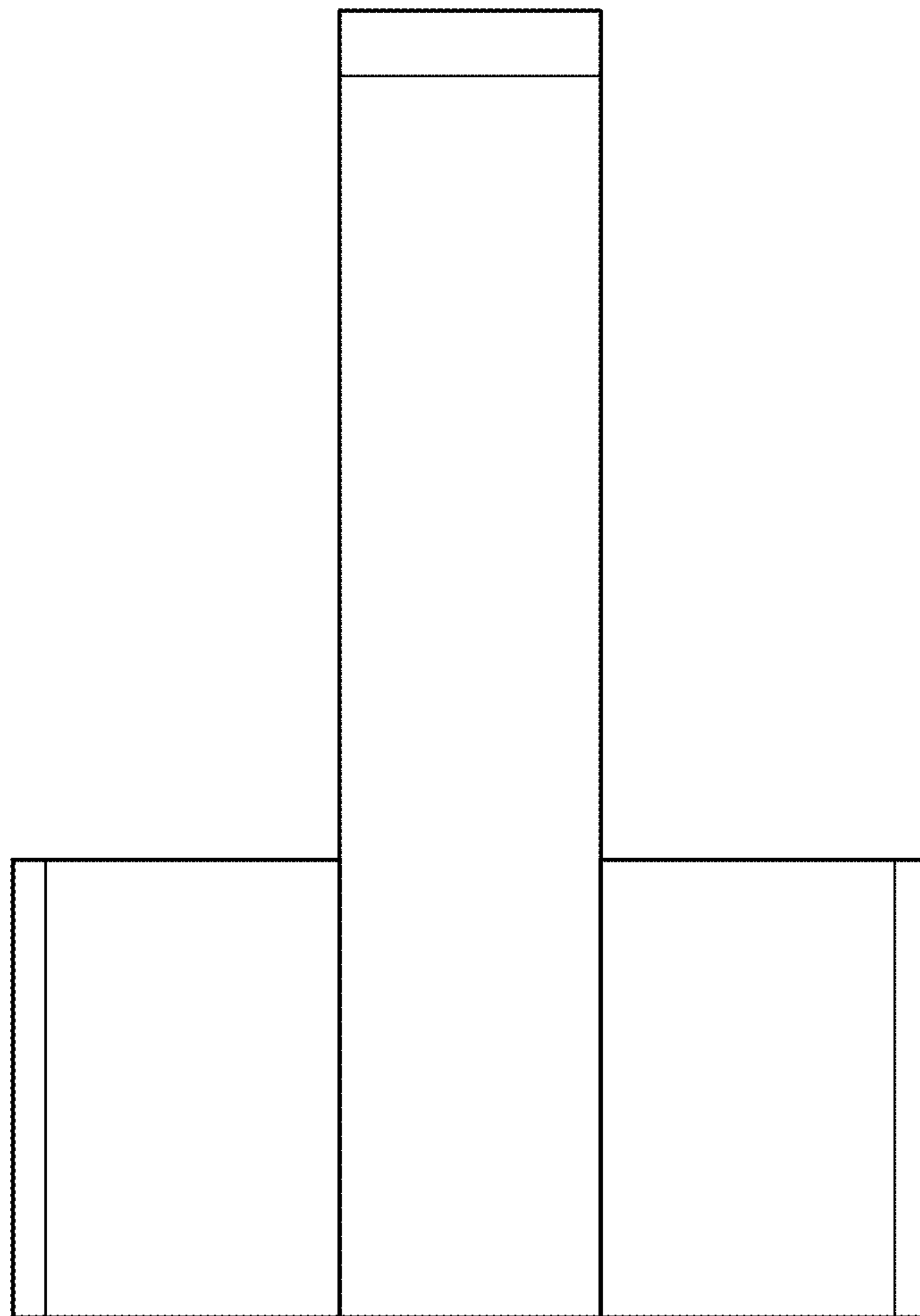


Fig. 5

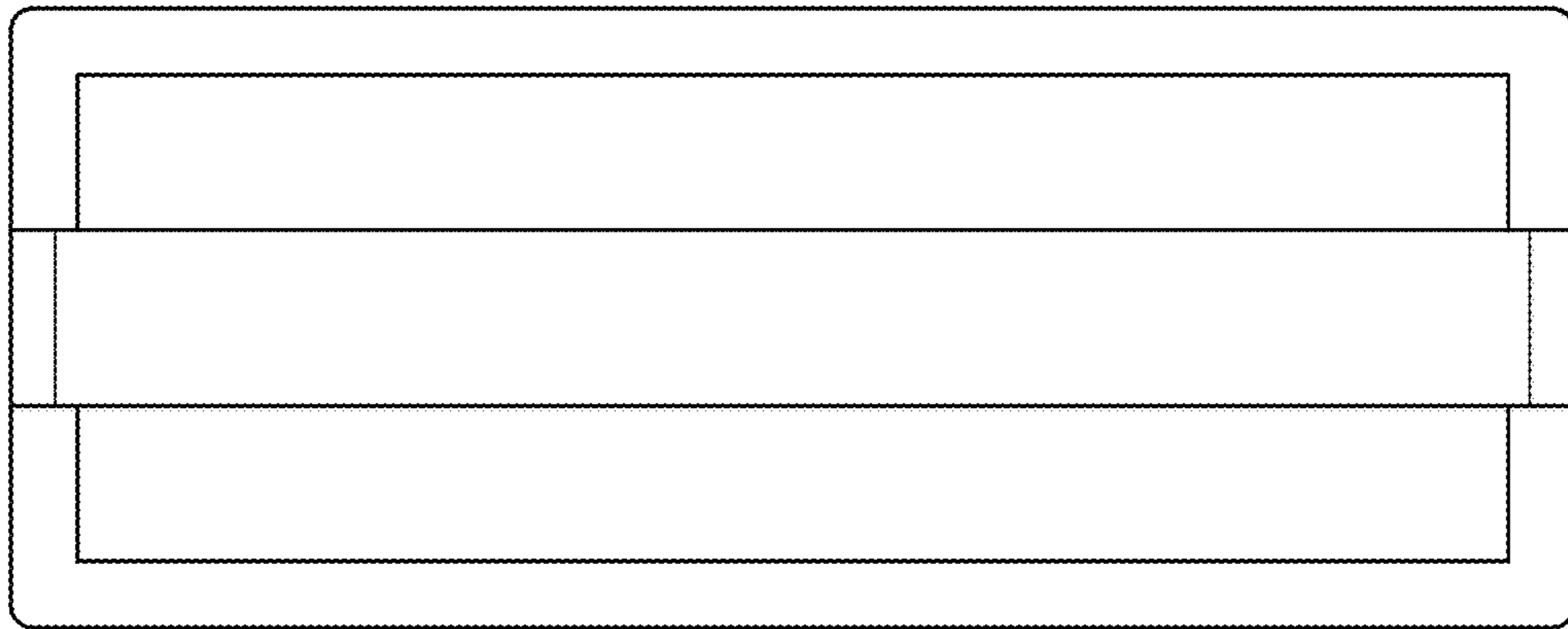


Fig. 6

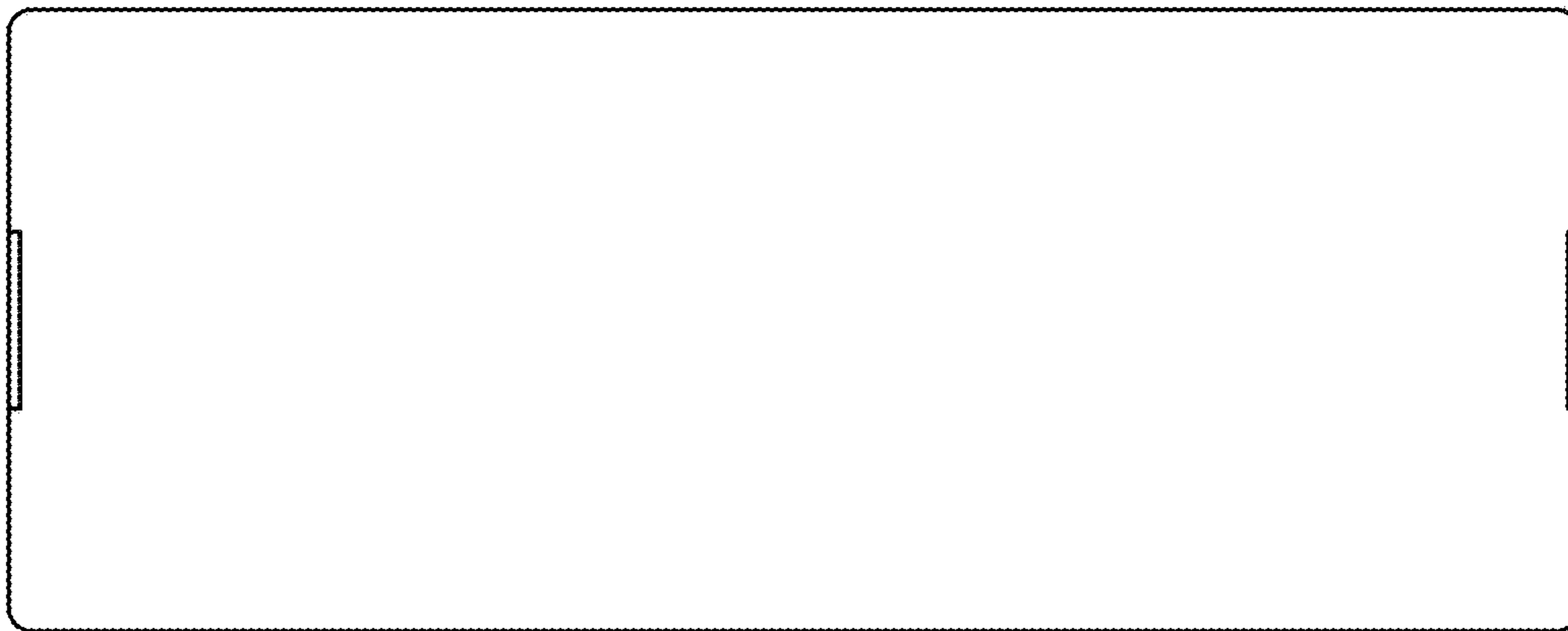


Fig. 7