



US00D823148S

(12) **United States Design Patent**
Qian et al.

(10) **Patent No.:** **US D823,148 S**
(45) **Date of Patent:** **** Jul. 17, 2018**

(54) **AIR BATTERY TESTING DEVICE**

(71) Applicants: **Tsinghua University**, Beijing (CN);
HON HAI PRECISION INDUSTRY CO., LTD., New Taipei (TW)

(72) Inventors: **Li Qian**, Beijing (CN); **Yu-Quan Wang**, Beijing (CN); **Fu-Jun Wang**, Beijing (CN); **Li-Yong Ma**, Beijing (CN); **Xue-Wei Guo**, Beijing (CN); **Yang Wu**, Beijing (CN)

(73) Assignees: **Tsinghua University**, Beijing (CN);
HON HAI PRECISION INDUSTRY CO., LTD., New Taipei (TW)

(**) Term: **15 Years**

(21) Appl. No.: **29/600,233**

(22) Filed: **Apr. 11, 2017**

(30) **Foreign Application Priority Data**

Jan. 23, 2017 (CN) 2017 3 0027220

(51) **LOC (11) Cl.** **10-04**

(52) **U.S. Cl.**
USPC **D10/77**

(58) **Field of Classification Search**
USPC D10/77
CPC H01M 6/5083; H01M 6/04313; H01M 10/4285; H01M 10/48; H01M 10/482; H01M 10/484; H01M 10/486; H01M 10/488; G01R 31/36; G01R 31/3606; G01R 31/361; G01R 31/3613; G01R 31/3617; G01R 31/362; G01R 31/3624; G01R 31/3627; G01R 31/3631; G01R

31/3634; G01R 31/3637; G01R 31/3641; G01R 31/3644; G01R 31/3648; G01R 31/3651; G01R 31/3655; G01R 31/3658; G01R 31/3662; G01R 31/3665; G01R 31/3668; G01R 31/3672; G01R 31/3675; G01R 31/3679; G01R 31/3682; G01R 31/3686; G01R 31/3689; G01R 31/3693; G01R 31/3696

See application file for complete search history.

(56) **References Cited**

U.S. PATENT DOCUMENTS

D180,475 S * 6/1957 Dickinson D10/102
D489,634 S * 5/2004 Kung D10/77

* cited by examiner

Primary Examiner — Antoine Duval Davis

(74) *Attorney, Agent, or Firm* — ScienBiziP, P.C.

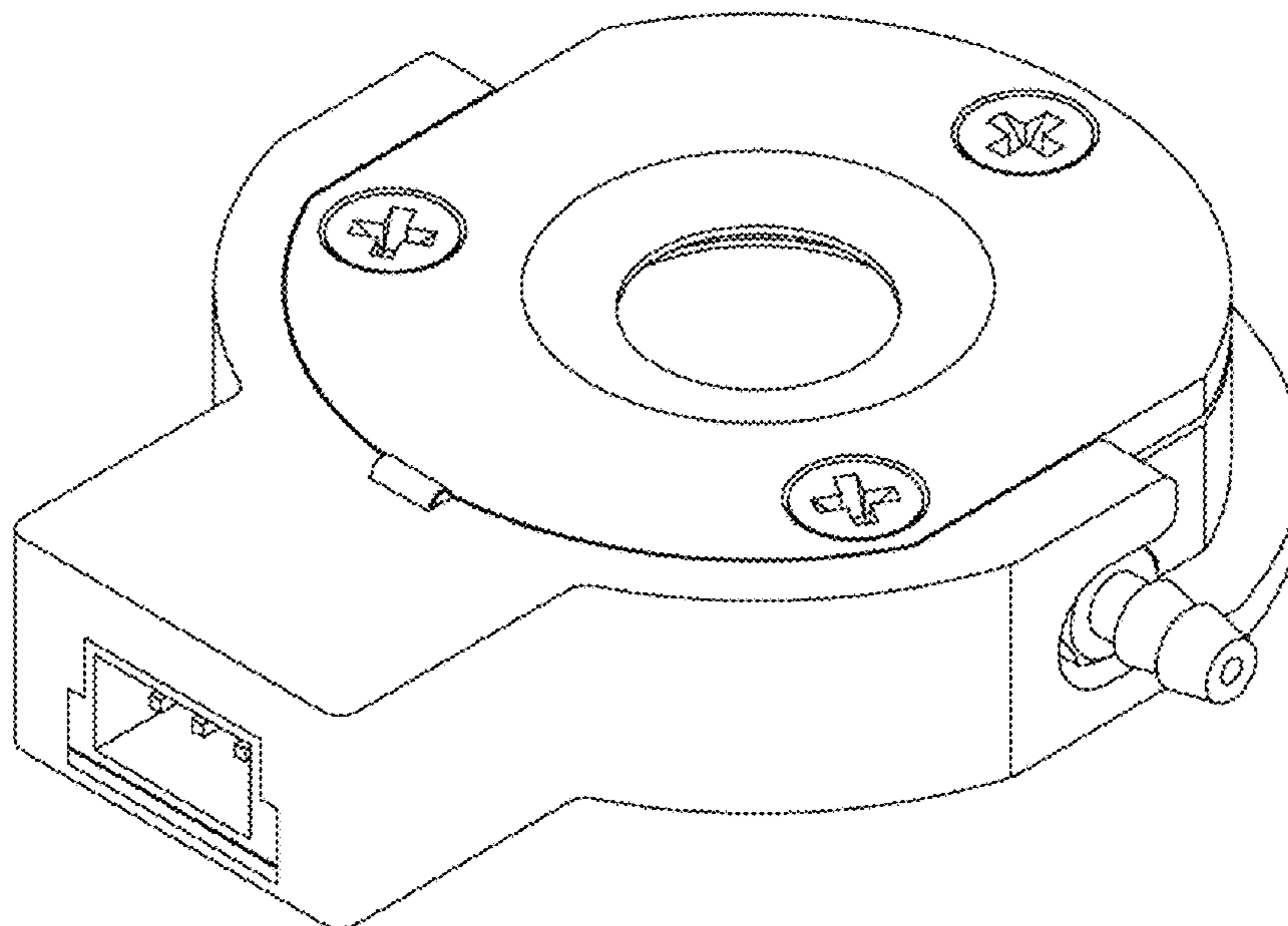
(57) **CLAIM**

The ornamental design for an air battery testing device, as shown and described.

DESCRIPTION

FIG. 1 is a stereogram view of air battery testing device showing our design;
FIG. 2 is a front elevated view thereof;
FIG. 3 is a rear elevated view thereof;
FIG. 4 is a left side elevated view thereof;
FIG. 5 is a right side elevated view thereof;
FIG. 6 is a top plan view thereof; and,
FIG. 7 is a bottom plan view thereof.

1 Claim, 7 Drawing Sheets



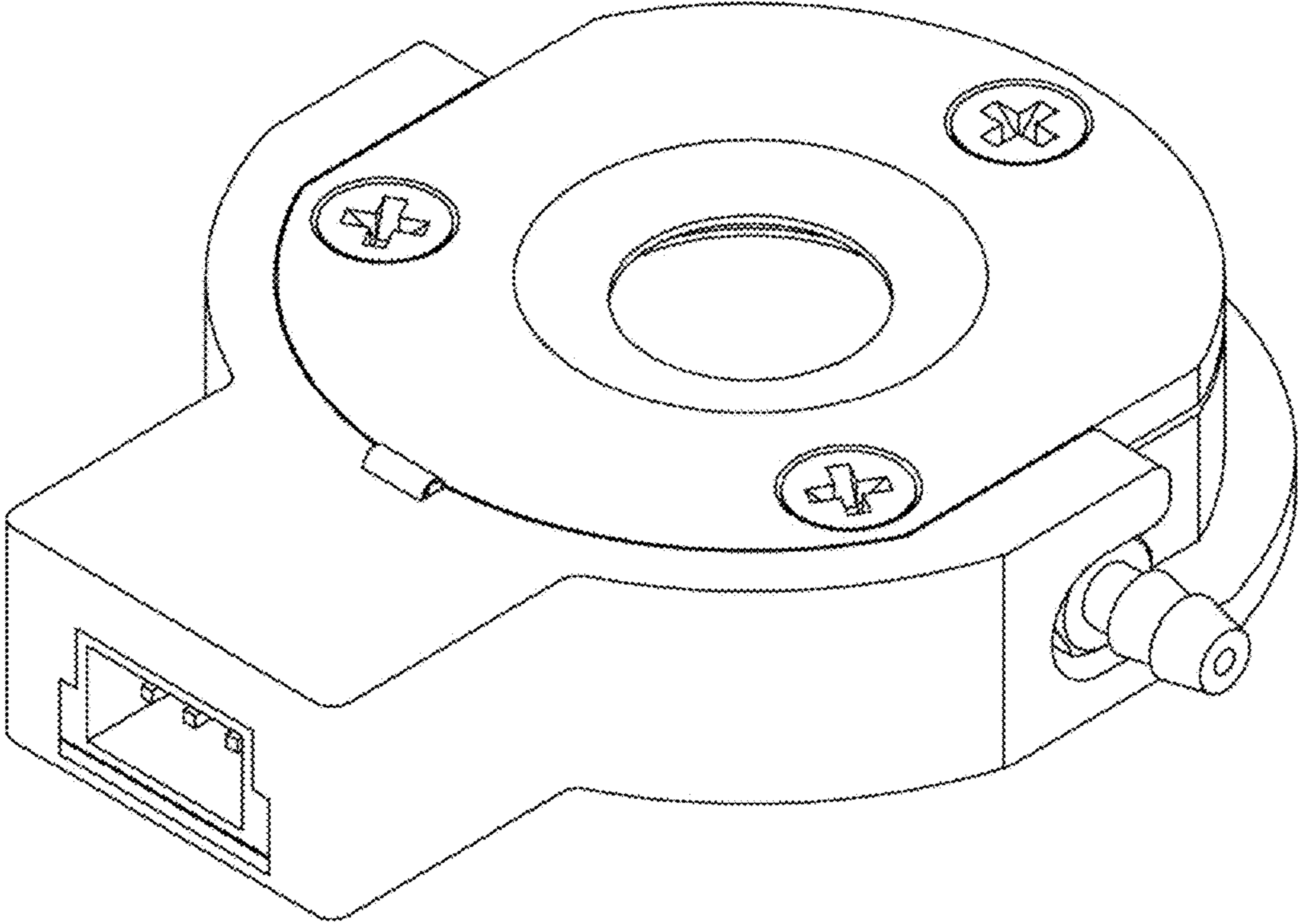


FIG. 1

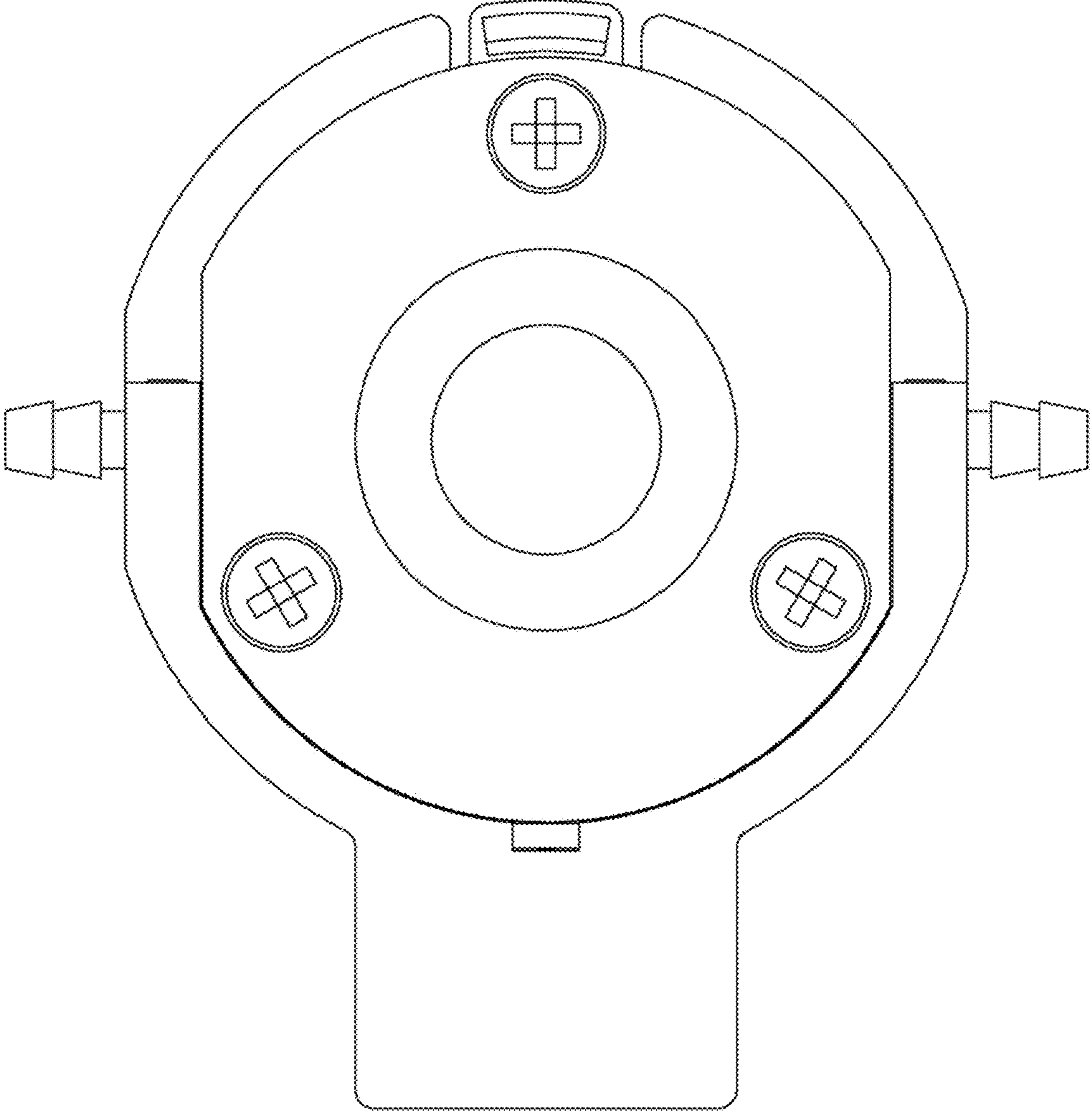


FIG. 2

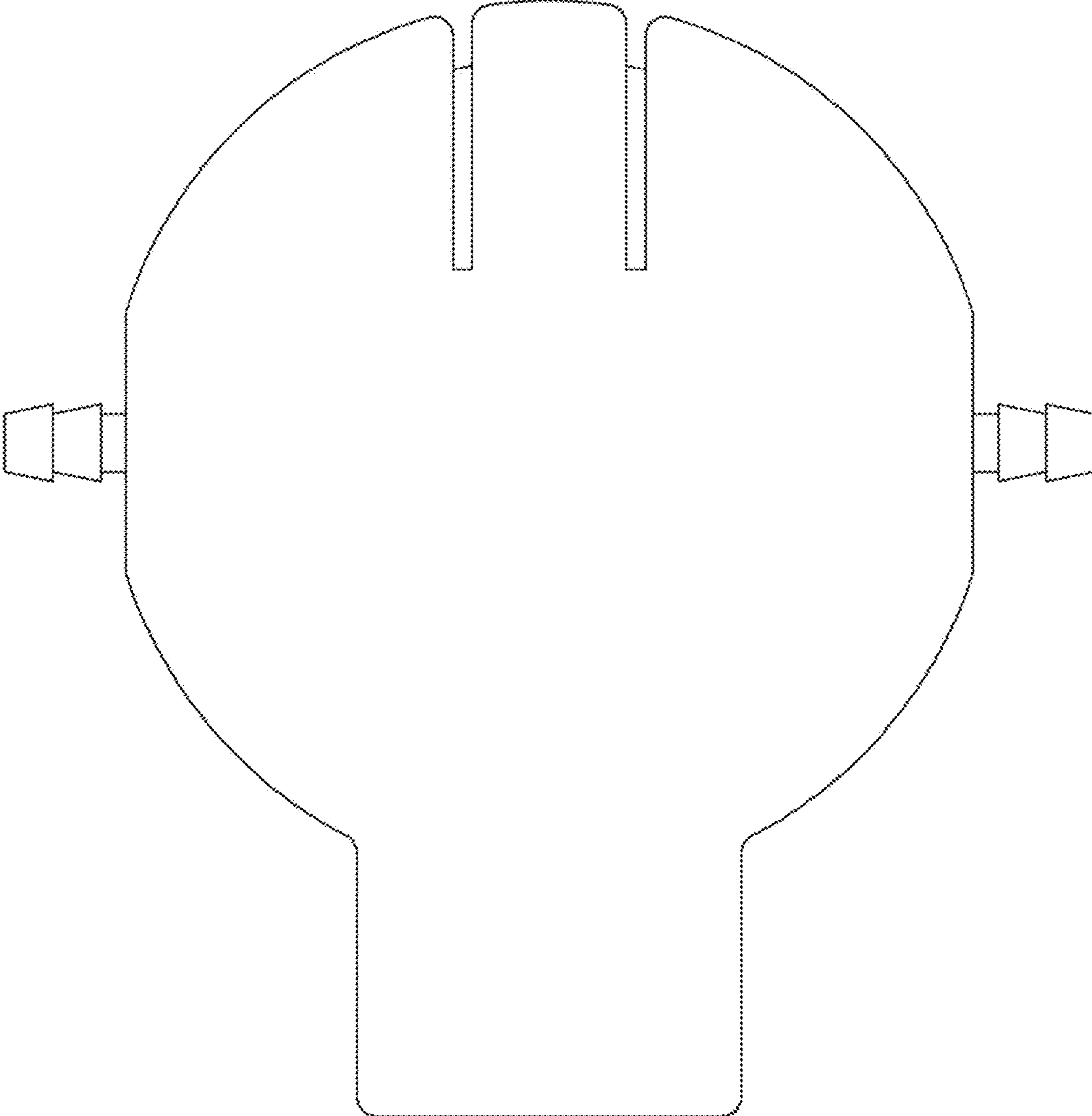


FIG. 3

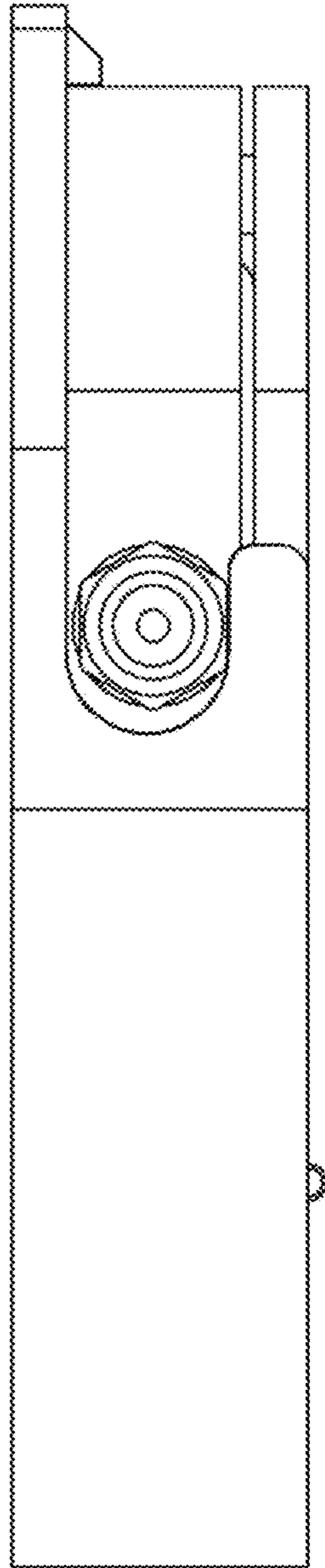


FIG. 4

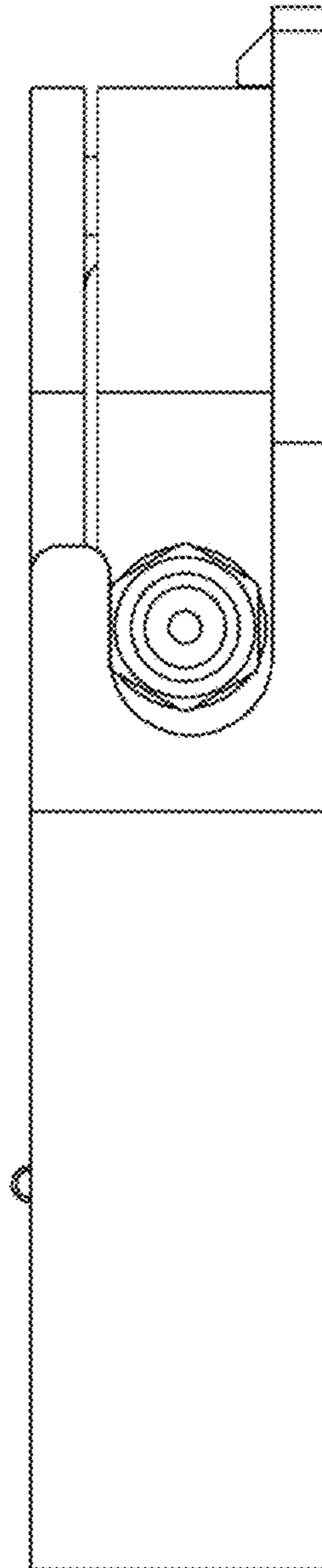


FIG. 5

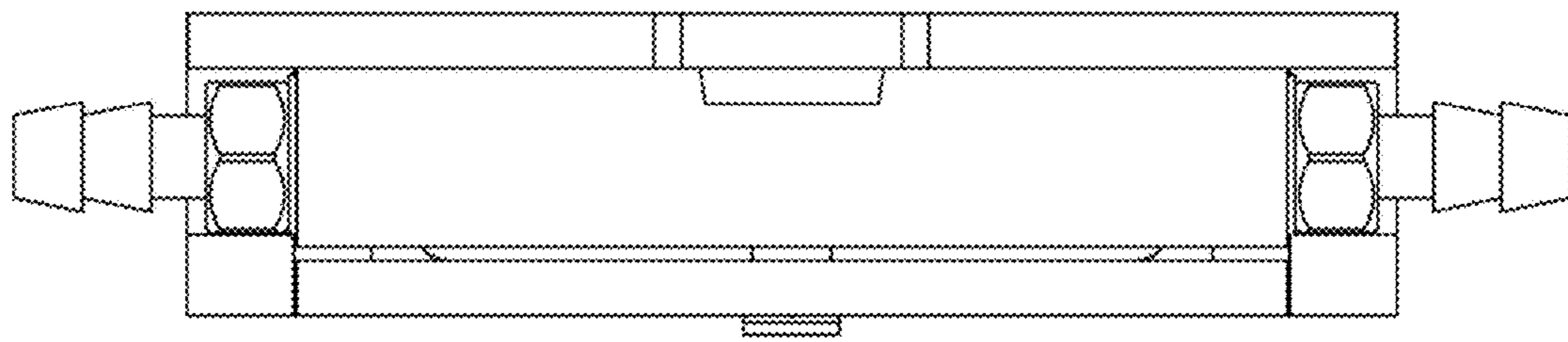


FIG. 6

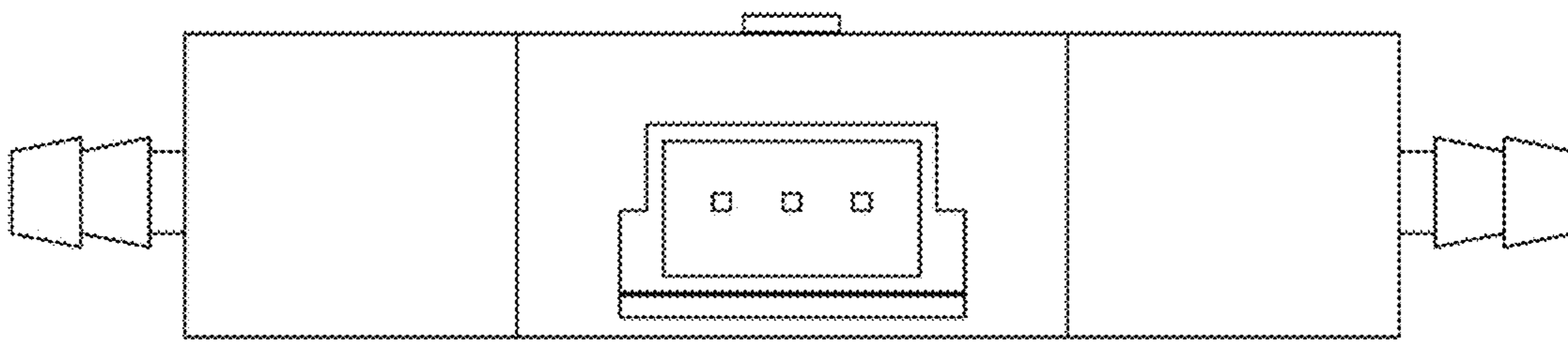


FIG. 7