



US00D823147S

(12) **United States Design Patent**
Bainter et al.

(10) **Patent No.:** **US D823,147 S**

(45) **Date of Patent:** **** Jul. 17, 2018**

(54) **LASER RANGE FINDER WITH WIND SENSOR**

(71) Applicant: **BUSHNELL, INC.**, Overland Park, KS (US)

(72) Inventors: **Benjamin E. Bainter**, Olathe, KS (US);
Scott O. Nyhart, Shawnee, KS (US)

(73) Assignee: **BUSHNELL INC.**, Overland Park, KS (US)

(**) Term: **15 Years**

(21) Appl. No.: **29/585,093**

(22) Filed: **Nov. 21, 2016**

(51) **LOC (11) Cl.** **10-04**

(52) **U.S. Cl.**
USPC **D10/70**; D16/130; D16/132

(58) **Field of Classification Search**
USPC D10/59, 70
CPC ... G01C 3/00; G01C 3/02; G01C 3/04; G01C 3/06; G01C 3/08; G01C 3/085; G01C 3/10; G01C 3/12; G01C 3/16; G01C 3/18; G01C 3/20; G01C 3/22; G01C 3/24; G01C 3/26; G01C 3/28; G01C 3/30; G01C 3/32; G01S 7/4811; G01S 7/4813; G01S 7/4814; G01S 7/4816; G01S 7/486; G01S 7/4861; G01S 7/4863; G02B 23/00; G02B 23/14; G02B 23/16; F41G 1/00; F41G 1/46; F41G 1/473; F41G 3/06; F41G 3/065

See application file for complete search history.

(56) **References Cited**

U.S. PATENT DOCUMENTS

6,073,352 A	6/2000	Zykan et al.	
D453,301 S *	2/2002	Vermillion	D10/66
6,418,633 B1	7/2002	Rager	
D525,544 S *	7/2006	Nojima	D10/70

D547,780 S *	7/2007	Meinzer	D16/132
D569,283 S *	5/2008	Huang	D10/70
D579,805 S *	11/2008	Chen	D10/70
7,654,029 B2	2/2010	Peters et al.	
D611,848 S *	3/2010	Liu	D10/70
8,336,216 B2	12/2012	Samuels et al.	
D683,374 S *	5/2013	Yokoi	D16/132
8,561,306 B2	10/2013	Busse-Grawitz et al.	
D716,858 S *	11/2014	Kobayashi	D16/132
8,919,000 B2	12/2014	Samuels et al.	
9,004,056 B2	4/2015	Volpe	

* cited by examiner

Primary Examiner — Antoine Duval Davis

(74) *Attorney, Agent, or Firm* — Seyfarth Shaw LLP; Brian Michaelis

(57) **CLAIM**

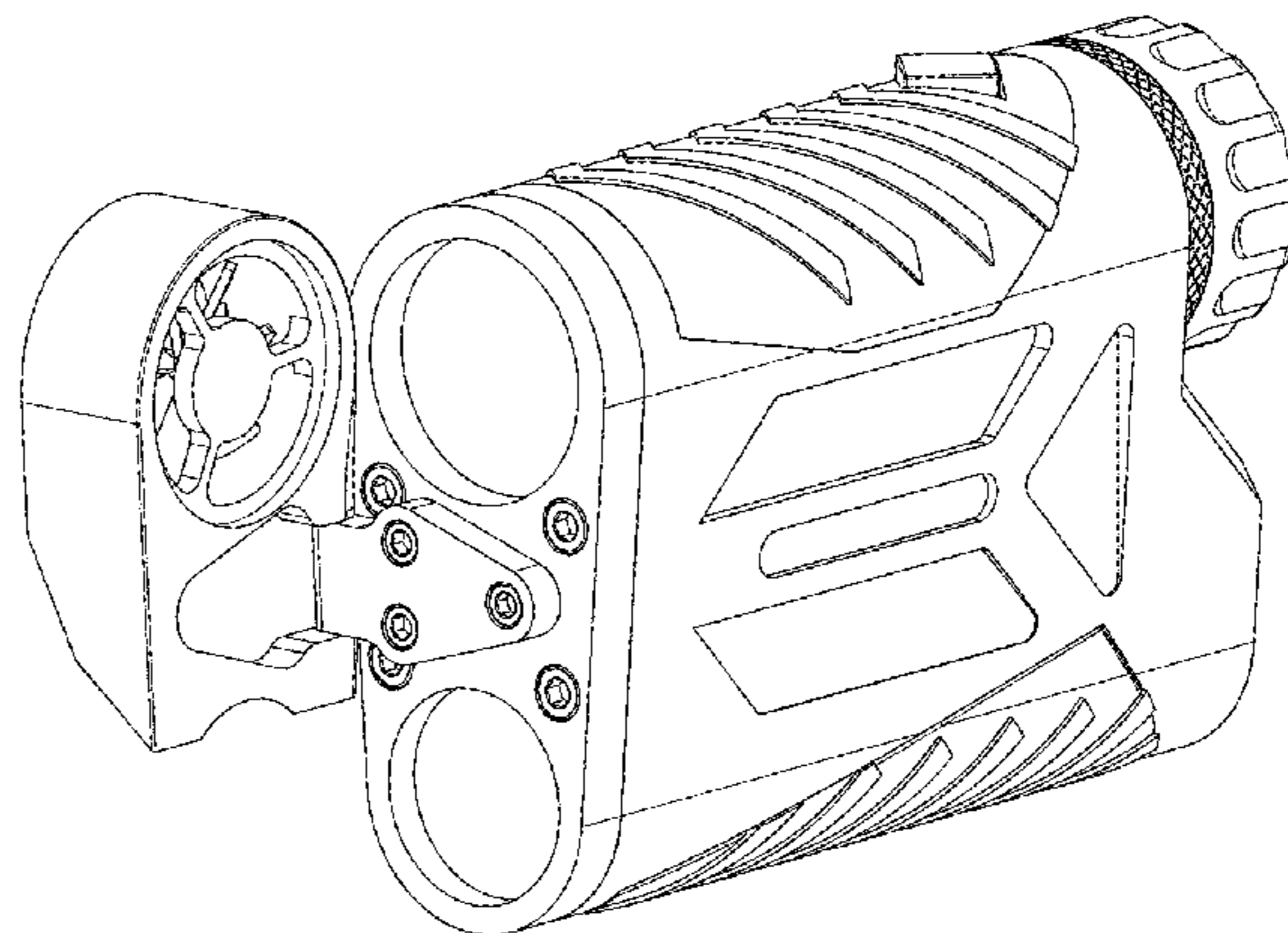
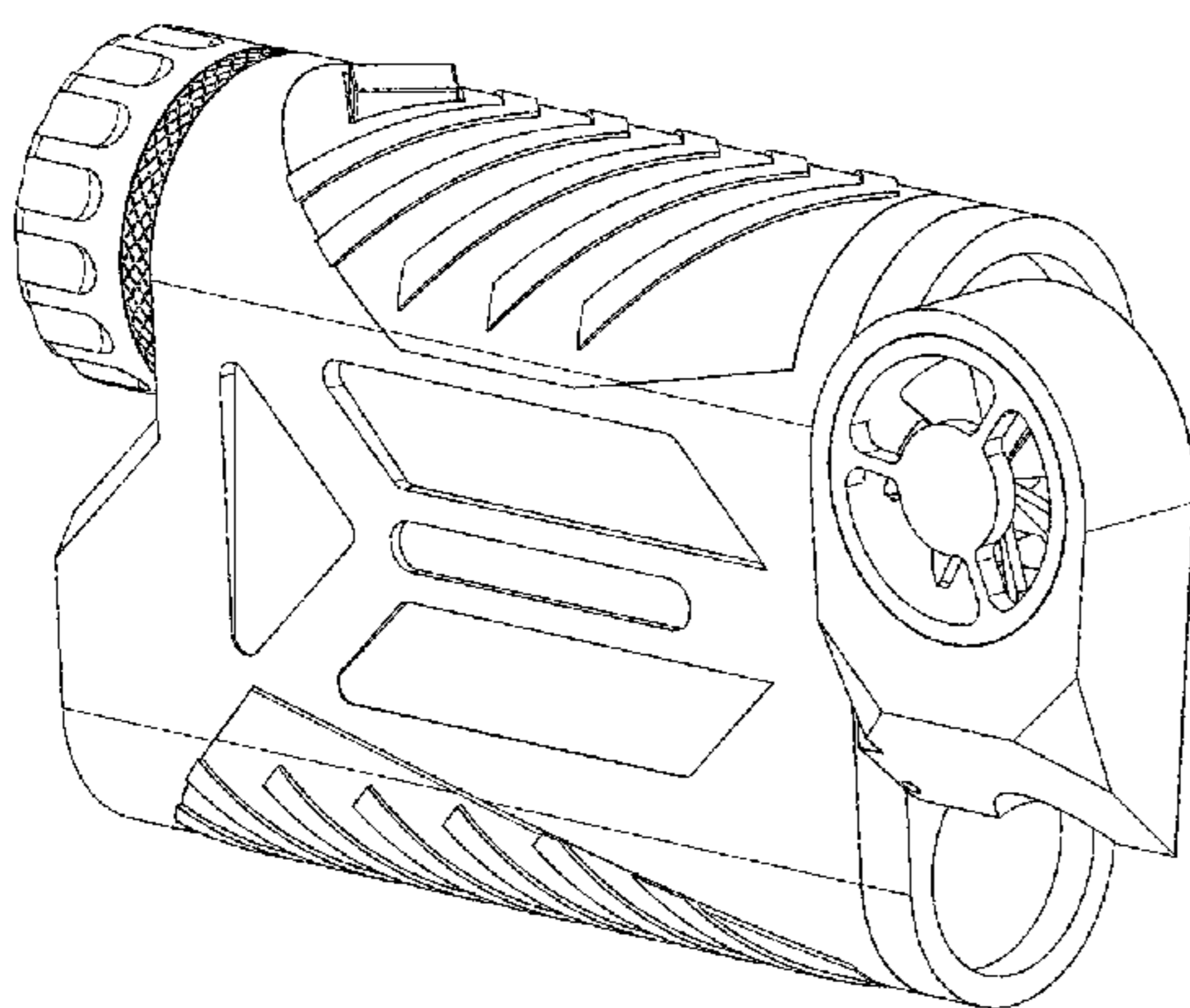
The ornamental design for a laser range finder with wind sensor, as shown and described.

DESCRIPTION

FIG. 1 is a right side perspective view of an embodiment of the laser range finder with wind sensor;
 FIG. 2 is a left side perspective view of the laser range finder with wind sensor of FIG. 1;
 FIG. 3 is a right side elevational view of the laser range finder with wind sensor of FIG. 1;
 FIG. 4 is a left side elevational view of the laser range finder with wind sensor of FIG. 1;
 FIG. 5 is a top plan view of the laser range finder with wind sensor of FIG. 1;
 FIG. 6 is a bottom plan view of the laser range finder with wind sensor of FIG. 1;
 FIG. 7 is a front end view of the laser range finder with wind sensor of FIG. 1; and,
 FIG. 8 is a rear end view of the laser range finder with wind sensor of FIG. 1.

The broken lines are for illustrative purposes only and form no part of the claimed design.

1 Claim, 4 Drawing Sheets



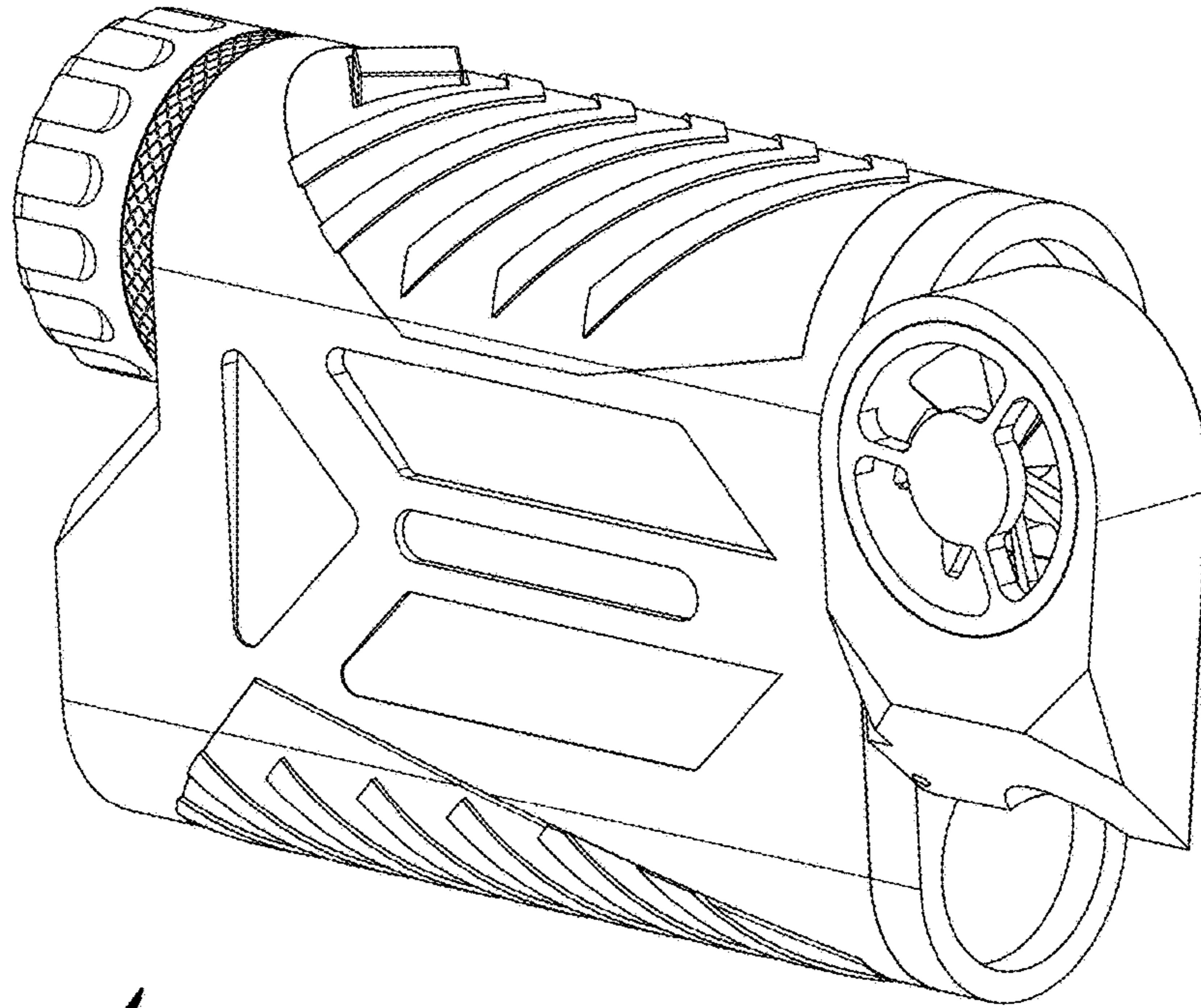


Fig. 1.

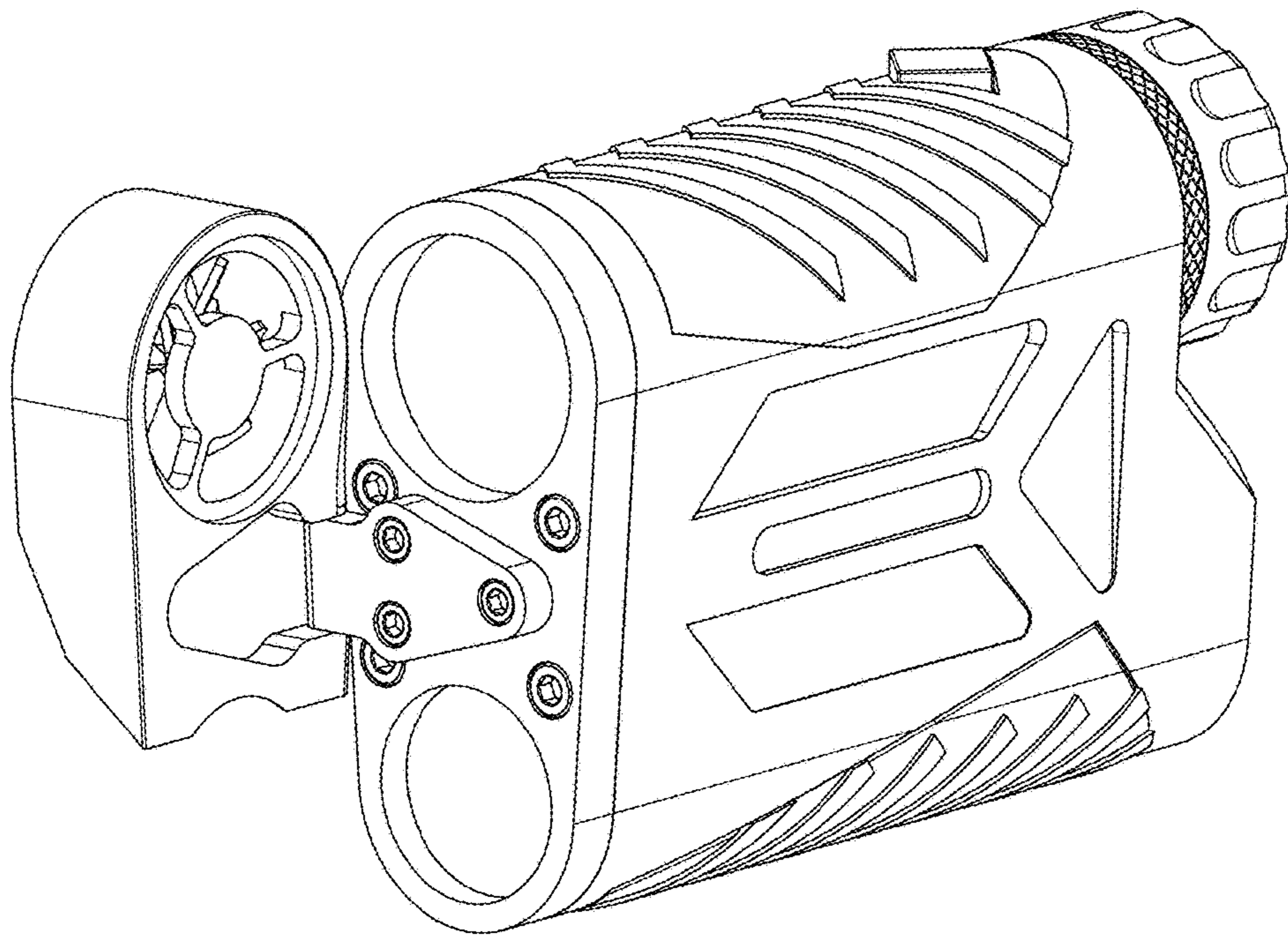


Fig. 2.

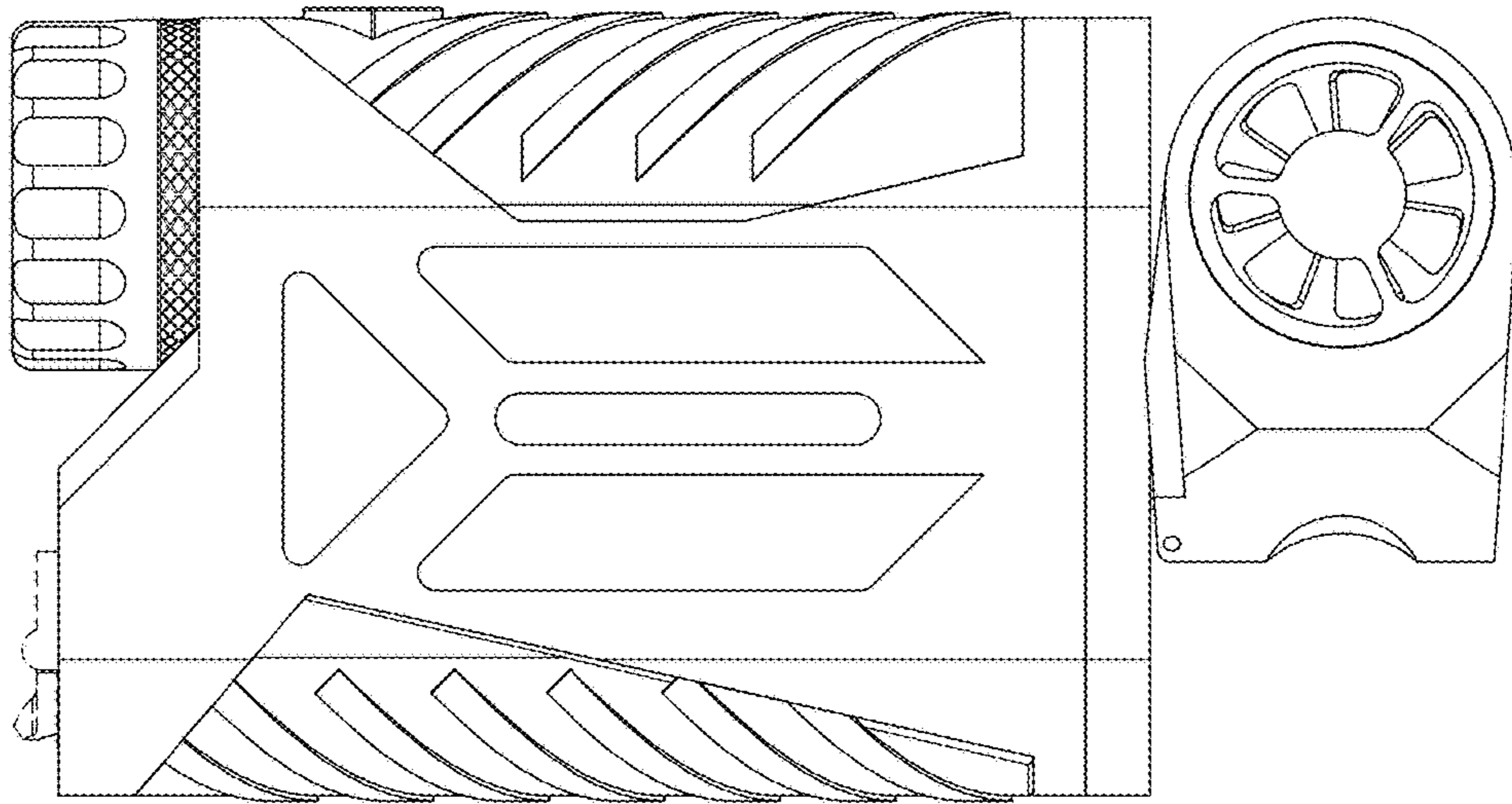


Fig. 3.

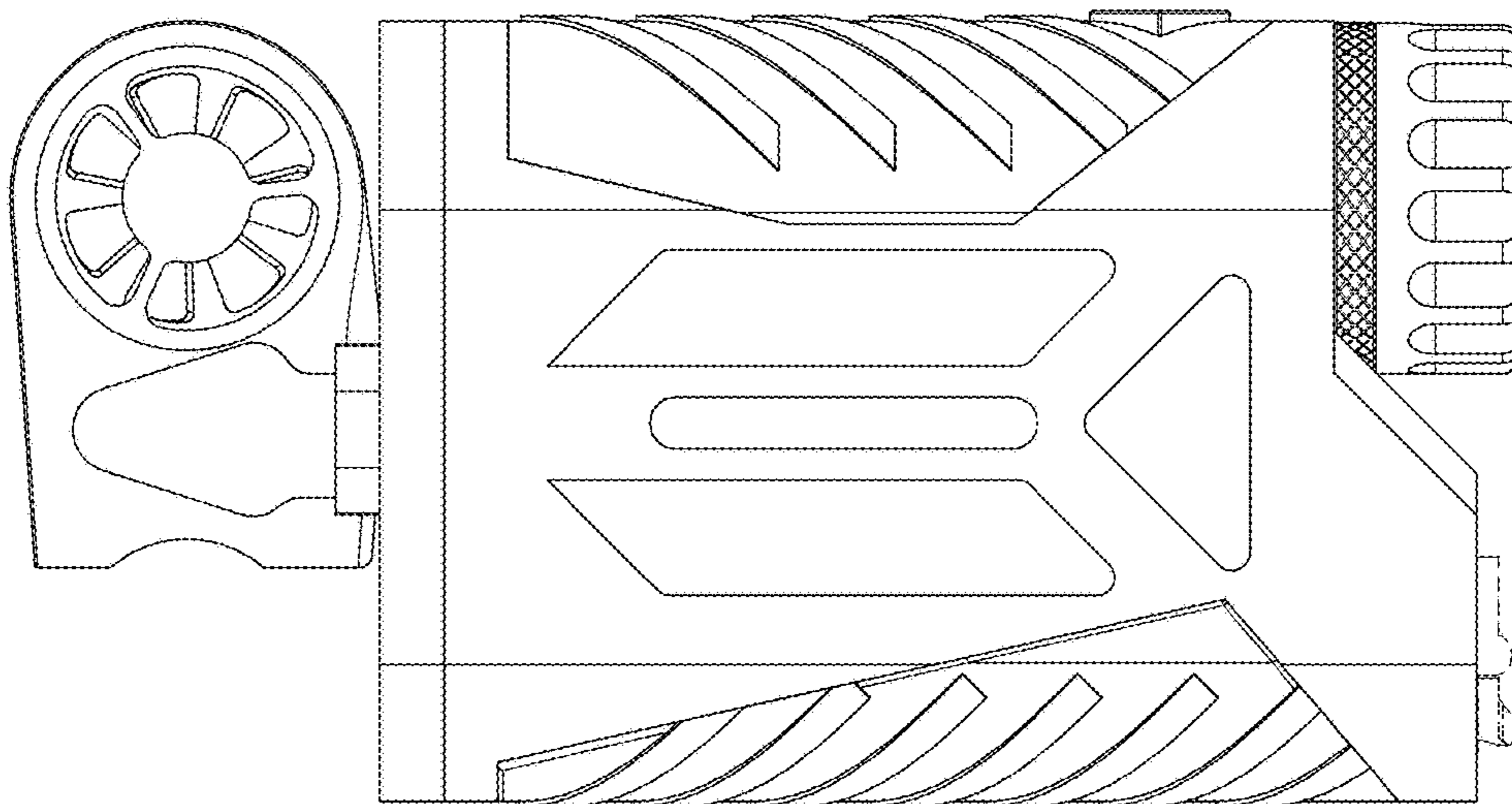


Fig. 4.

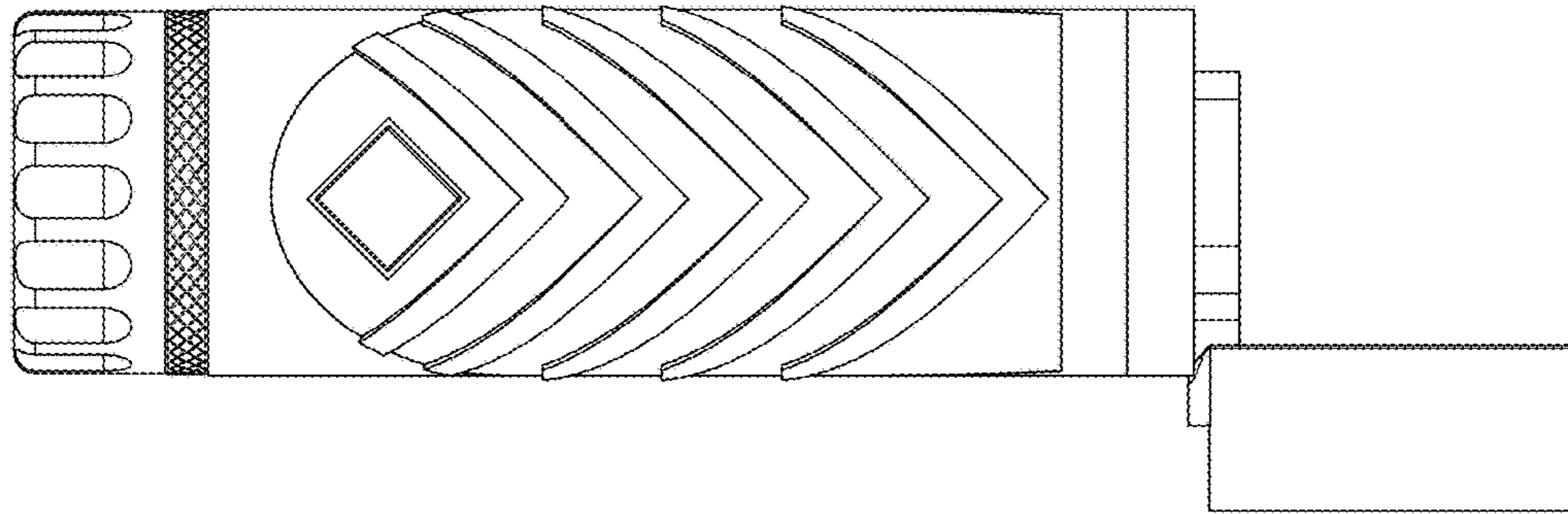


Fig. 5.

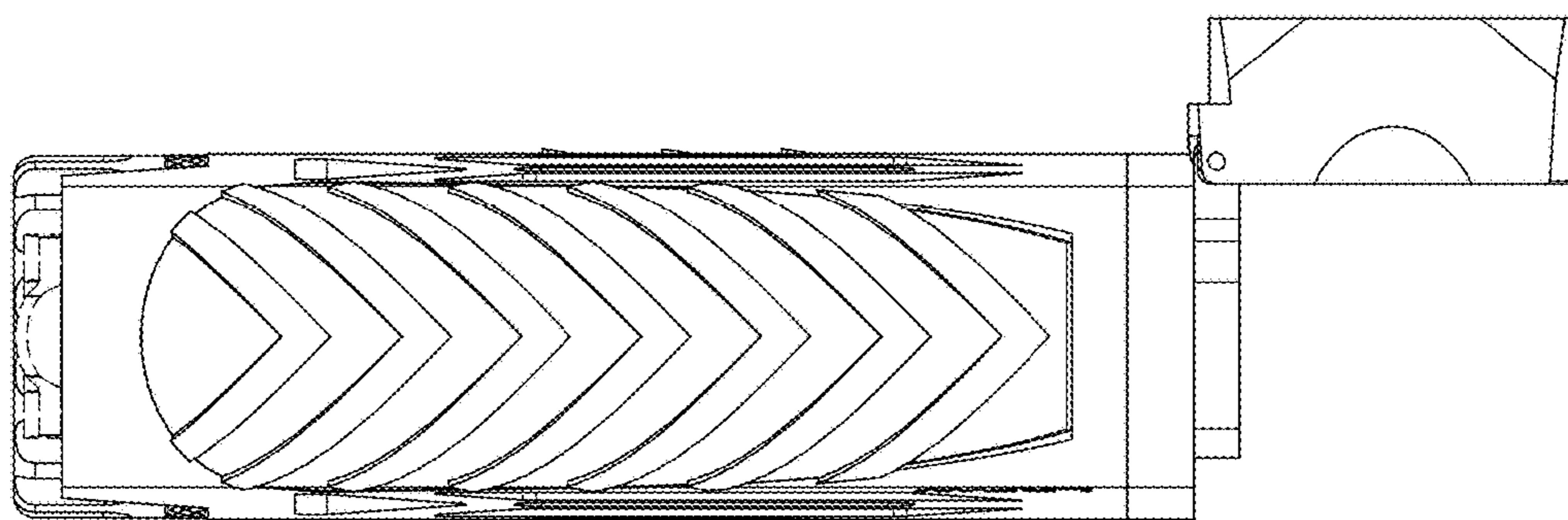


Fig. 6.

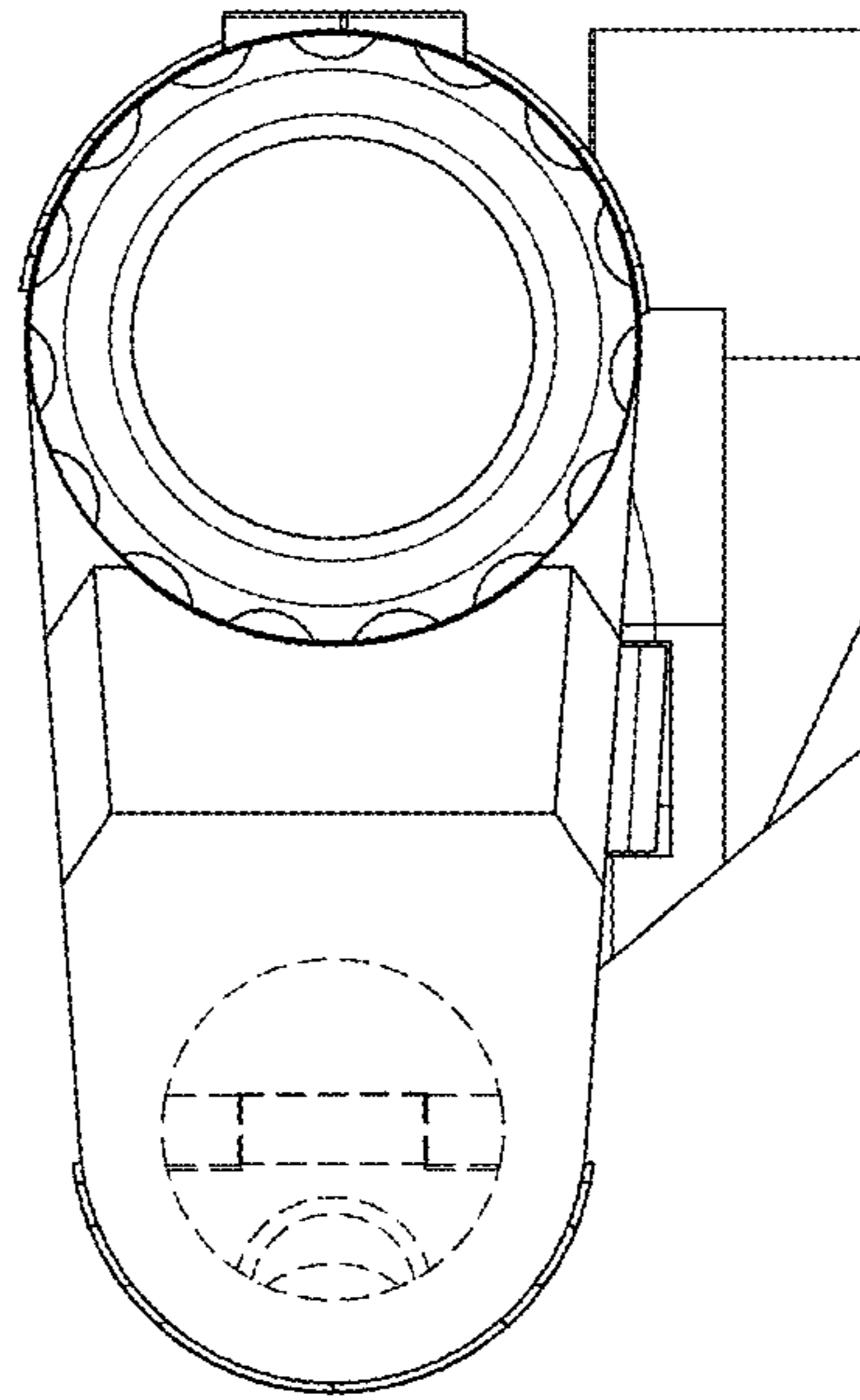


Fig. 7.

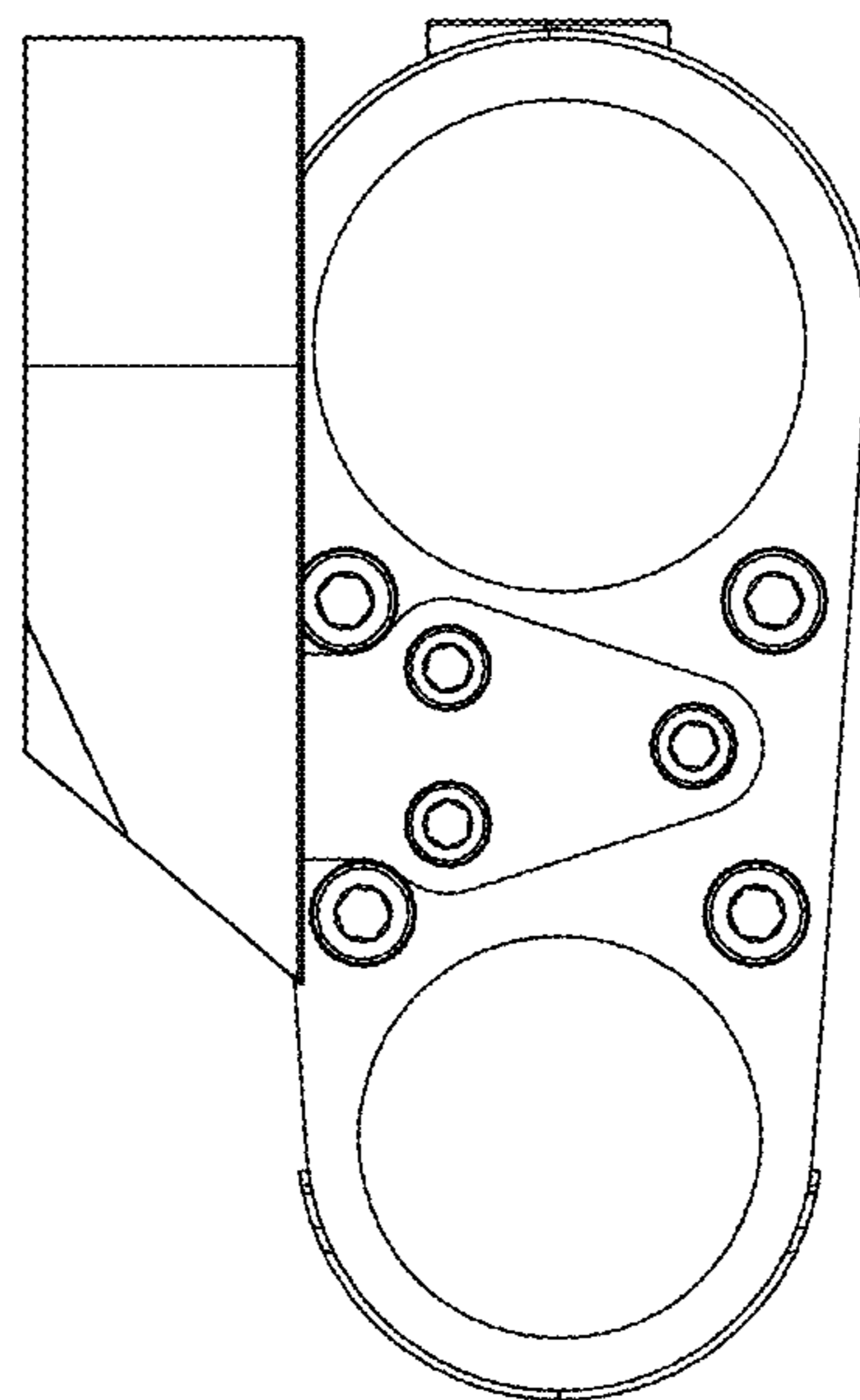


Fig. 8.