



US00D823146S

(12) **United States Design Patent** (10) **Patent No.:** **US D823,146 S**
Minchilli (45) **Date of Patent:** **** Jul. 17, 2018**

(54) **MOBILE COMPUTING DEVICE**
(71) Applicant: **Nuvolaria SRLS**, Campobasso (IT)
(72) Inventor: **Vito Minchilli**, Campobasso (IT)
(73) Assignee: **NUVOLARIA SRLS** (IT)
(**) Term: **14 Years**

D459,250 S * 6/2002 Kitamura D10/65
D474,757 S * 5/2003 Takagi D14/509
D475,035 S * 5/2003 Takagi D14/509
D506,404 S * 6/2005 Kaczmarek D10/104.1
D510,571 S * 10/2005 Cutler D14/125
D511,337 S * 11/2005 Kim D14/168
D518,017 S * 3/2006 Lavoie D14/509
D528,100 S * 9/2006 Suzuki D14/509

(Continued)

(21) Appl. No.: **29/523,879**
(22) Filed: **Apr. 14, 2015**
(30) **Foreign Application Priority Data**

Oct. 15, 2014 (EP) 002557678-0001
(51) **LOC (11) Cl.** **10-04**
(52) **U.S. Cl.**
USPC **D10/49**
(58) **Field of Classification Search**
USPC D14/157, 247-258, 315-318, 341-347,
D14/420, 426, 129, 130, 496, 137, 138 R,
D14/138 AA, 138 C, 138 G, 203.1, 203.3,
D14/203.4, 203.7, 388, 389; D10/50, 65,
D10/104.1, 49; D21/329, 330; D18/7
CPC G06F 3/04883; G06F 3/0486; G06F
3/04847; G06F 3/04845; G06F 3/04817;
G06F 3/0484; G06F 1/1613; G06F
1/1647; G06F 1/1641; H04M 1/0279;
H04M 1/0281; H04M 1/0283; A63H
33/3016
See application file for complete search history.

(56) **References Cited**
U.S. PATENT DOCUMENTS
D300,322 S * 3/1989 Lam D14/189
5,246,133 A * 9/1993 James B65D 25/54
220/377
D347,584 S * 6/1994 Vogelpohl D10/49
D356,272 S * 3/1995 March D10/65
D417,452 S * 12/1999 Wu D14/192
D417,465 S * 12/1999 Kreitz D14/192

OTHER PUBLICATIONS

Introducing FIXO. The Smart Disc is landing home, announced 2016 [online], [site visited Mar. 15, 2017]. Available from Internet, URL: <http://fixo.io/>.*

Primary Examiner — Barbara Fox
Assistant Examiner — Dana K Weiland
(74) *Attorney, Agent, or Firm* — Mitchell Law PLLC;
Matthew W. Mitchell

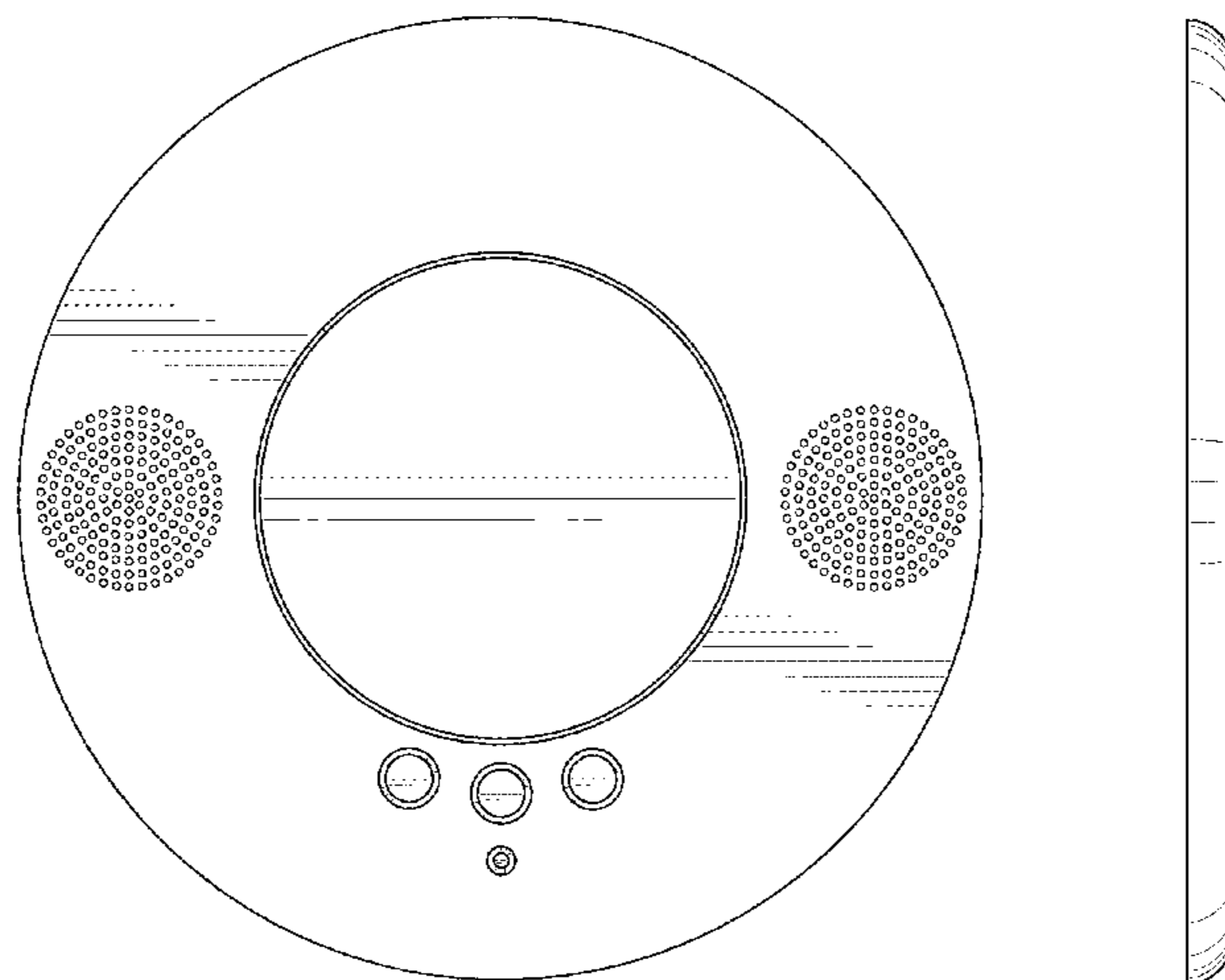
(57) **CLAIM**

The ornamental design for a mobile computing device, as shown and described.

DESCRIPTION

FIG. 1 is a front isometric view of the mobile device showing the new design;
FIG. 2 is a second front isometric view of the mobile computing device of FIG. 1;
FIG. 3 is a back isometric view of the mobile computing device of FIG. 1;
FIG. 4 is a top view in elevation of the mobile computing device of FIG. 1;
FIG. 5 is a bottom view of the mobile computing device of FIG. 1; and,
FIG. 6 is the side view of the mobile computing device of FIG. 1, the other side views being identical.
The broken lines shown in the drawings depict portions of the mobile computing device that form no part of the claimed design.

1 Claim, 6 Drawing Sheets



(56)

References Cited

U.S. PATENT DOCUMENTS

D555,391	S	*	11/2007	Kent	D6/407
D561,732	S	*	2/2008	Motoishi	D14/509
D590,391	S	*	4/2009	Sumii	D14/356
D596,514	S	*	7/2009	Luzar	D10/65
D621,399	S	*	8/2010	Ahlstrom	D14/344
D626,963	S	*	11/2010	Kim	D14/420
D671,528	S	*	11/2012	Fathollahi	D14/211
D677,180	S	*	3/2013	Plitkins	D10/49
D694,182	S	*	11/2013	Lee	D13/108
D700,075	S	*	2/2014	Bould	D10/49
D705,815	S	*	5/2014	Green	D14/509
D709,876	S	*	7/2014	Aumiller	D14/344
D713,404	S	*	9/2014	Green	D14/344
D717,674	S	*	11/2014	Vu	D10/65
D726,672	S	*	4/2015	Olodort	D14/138 G
D738,673	S	*	9/2015	Sanders	D7/354
D741,306	S	*	10/2015	Kester	D14/248
D741,307	S	*	10/2015	Kester	D14/248
D750,980	S	*	3/2016	Takach	D10/50
D756,955	S	*	5/2016	Wagner	D14/203.6
D770,430	S	*	11/2016	Lee	D14/240
D771,142	S	*	11/2016	Langhammer	D14/203.6
D779,345	S	*	2/2017	Jacob	D10/50
2014/0274216	A1	*	9/2014	Olodort	H04M 1/006 455/566

* cited by examiner

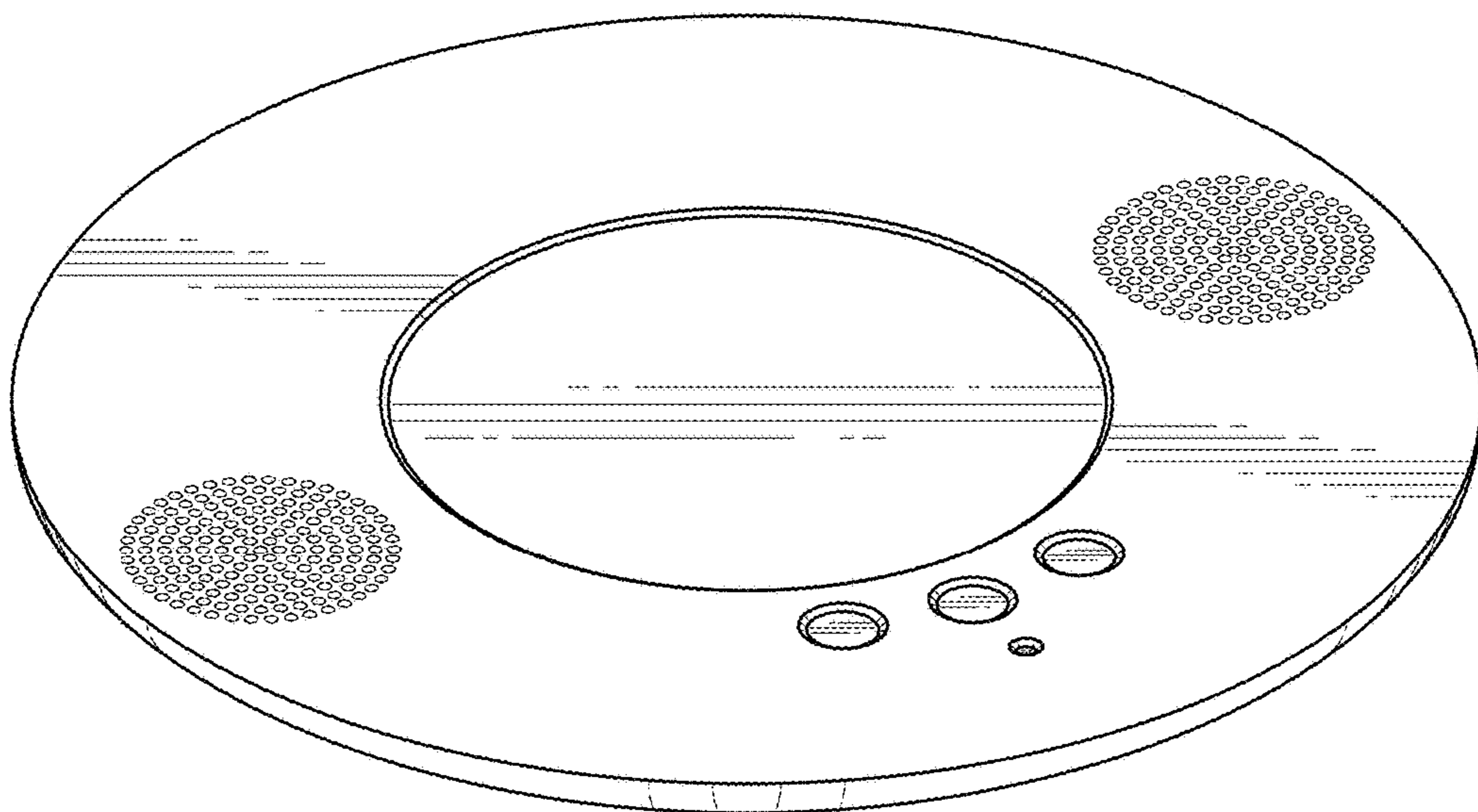


FIG. 1

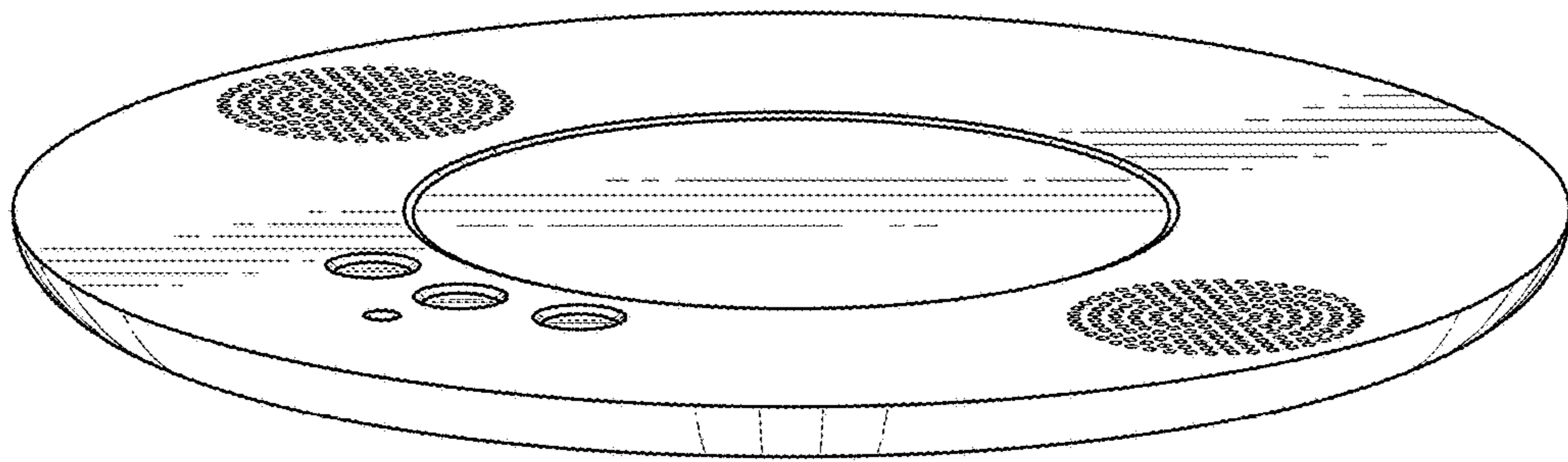


FIG. 2

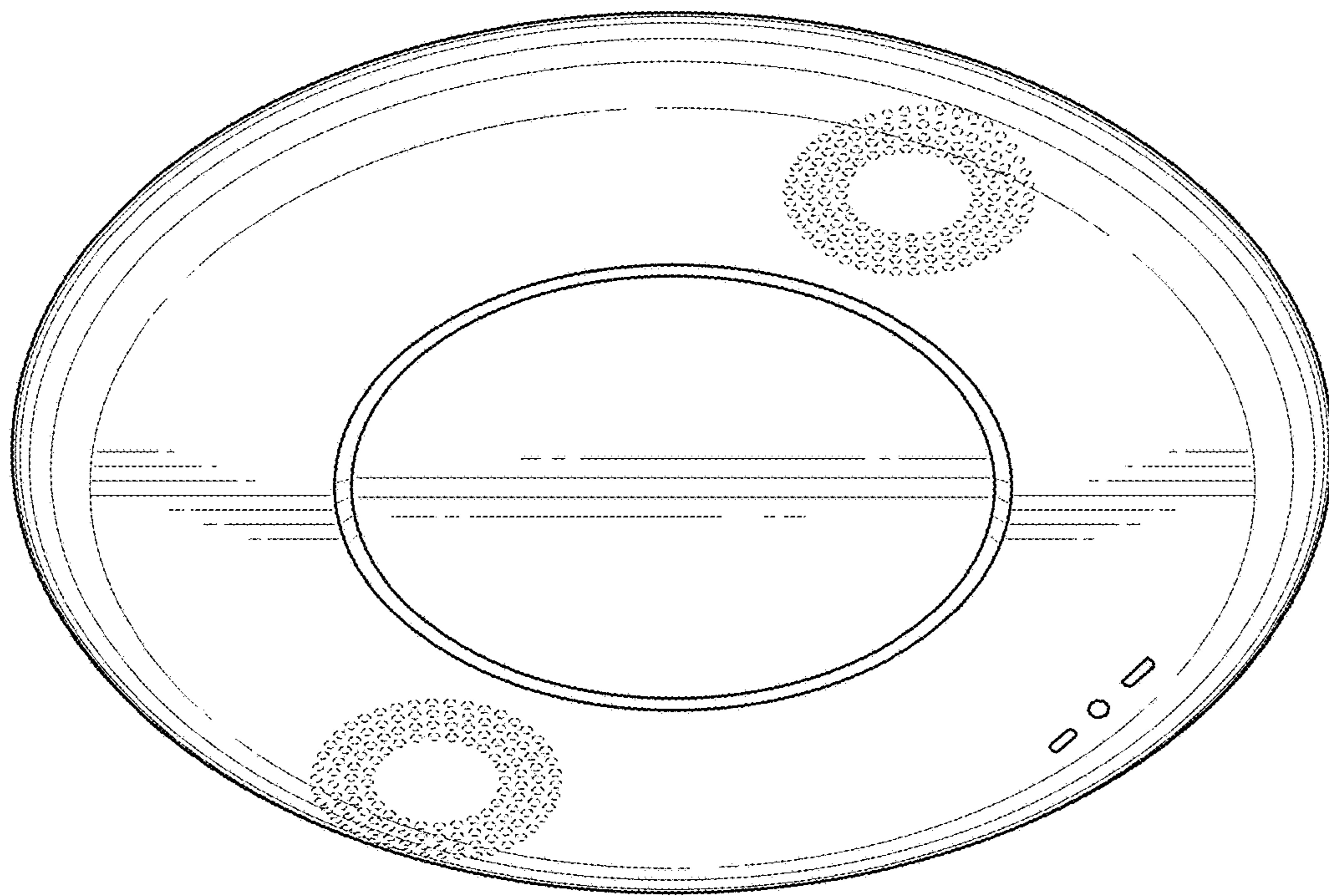


FIG. 3

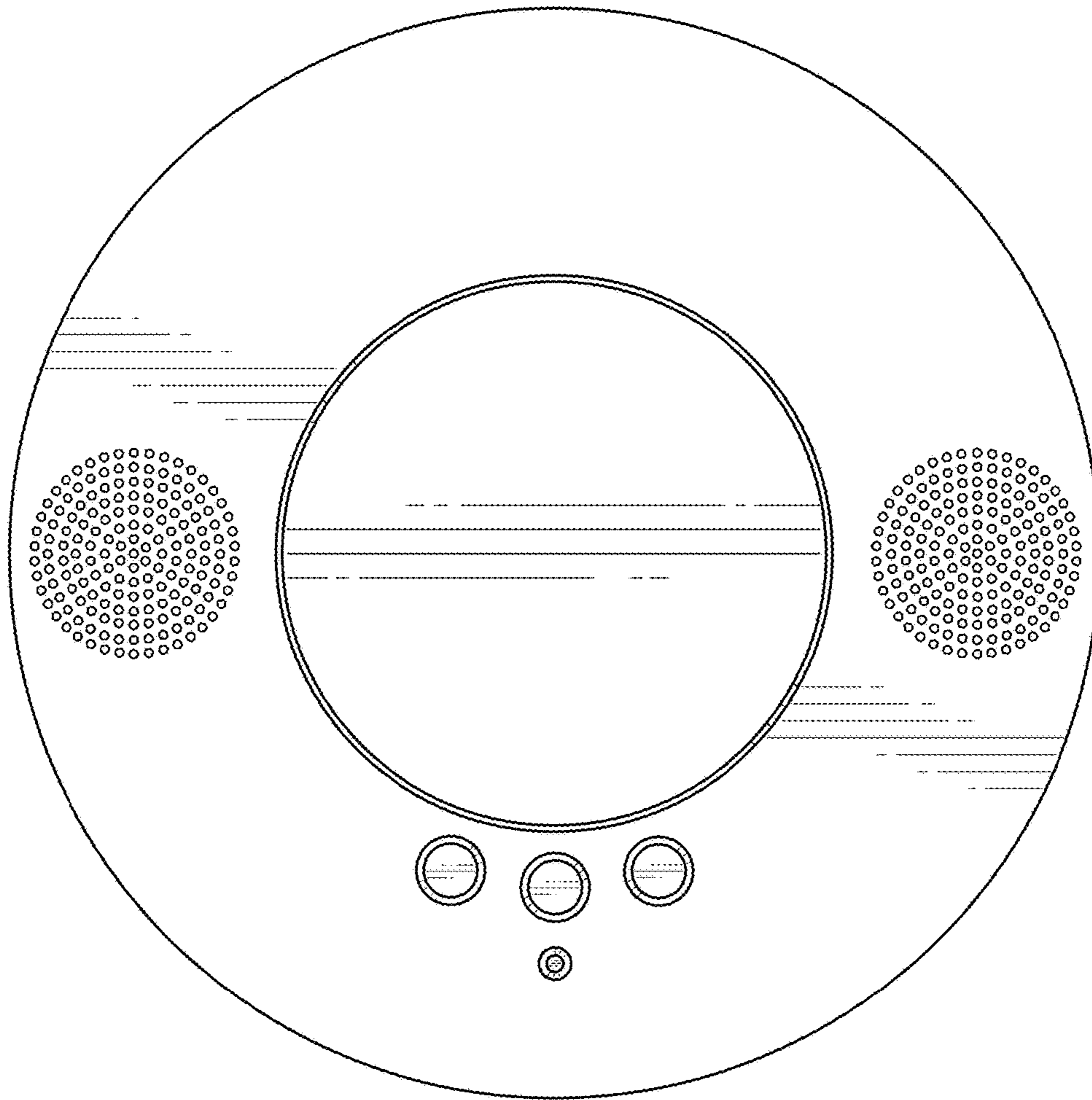


FIG. 4

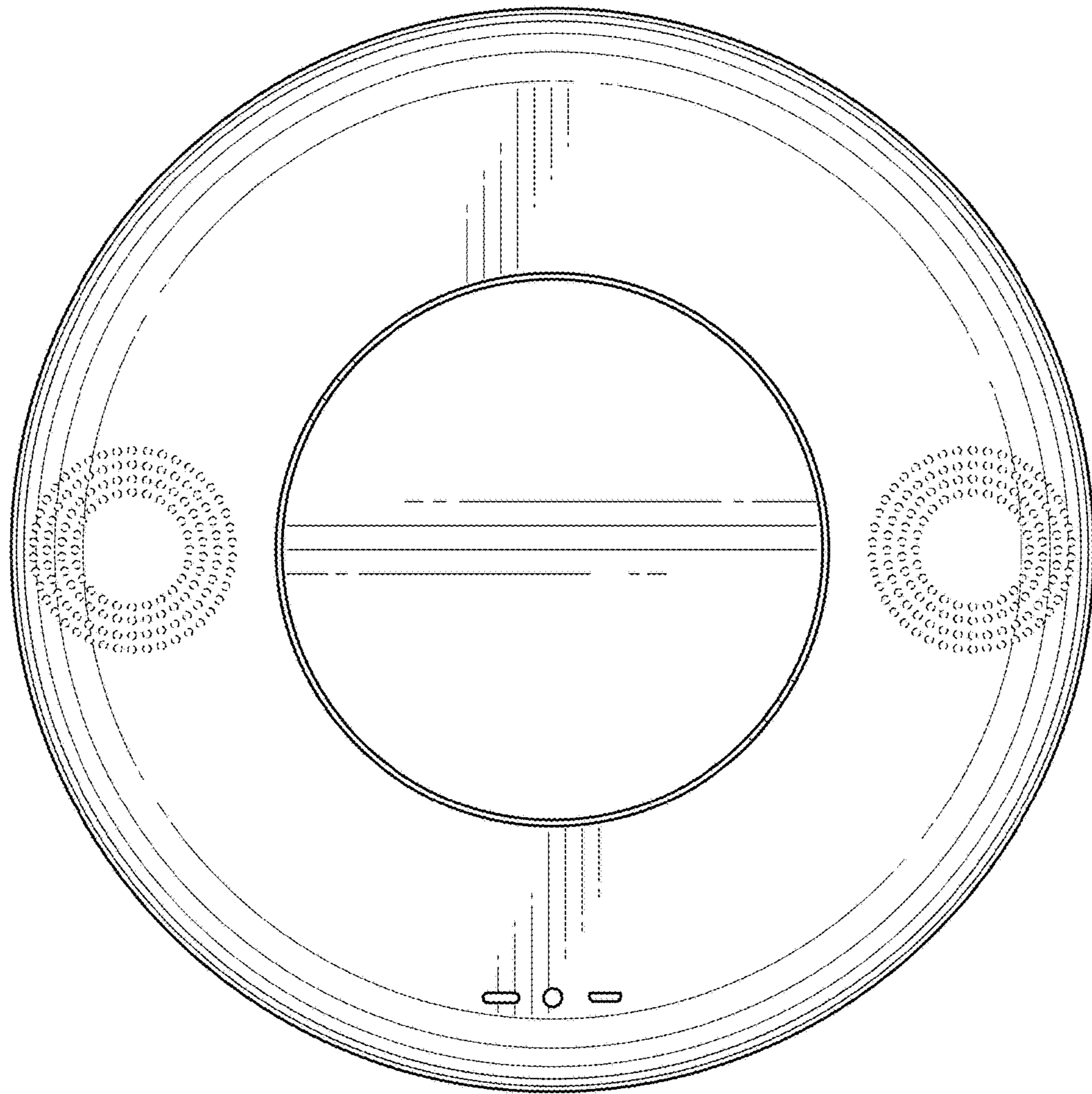


FIG. 5

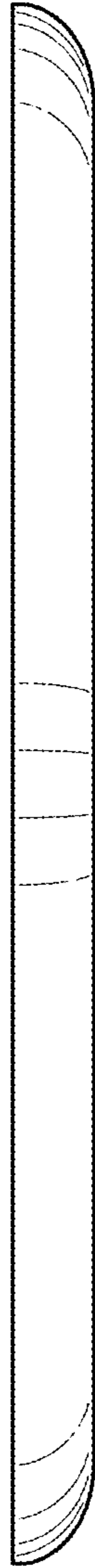


FIG. 6