



US00D823145S

(12) **United States Design Patent** (10) **Patent No.:** **US D823,145 S**
Xia et al. (45) **Date of Patent:** **** Jul. 17, 2018**

(54) **HUMAN BODY SAFETY DETECTOR**

(71) Applicant: **Anhui Qilootech Photoelectric Technology Co., Ltd.**, Hefei, Anhui (CN)

(72) Inventors: **Guoping Xia**, Anhui (CN); **Pengchong Zhang**, Anhui (CN); **Jiajia Sun**, Anhui (CN); **Wenjun Li**, Anhui (CN); **Jun Guo**, Anhui (CN); **Shaofeng Yang**, Anhui (CN); **Xin Li**, Anhui (CN)

(73) Assignee: **Anhui Qilootech Photoelectric Technology Co., Ltd.**, Hefei (CN)

(**) Term: **15 Years**

(21) Appl. No.: **29/596,878**

(22) Filed: **Mar. 13, 2017**

(51) **LOC (11) Cl.** **10-05**

(52) **U.S. Cl.**
USPC **D10/47**

(58) **Field of Classification Search**
USPC D10/47; D24/158-161, 186, 202, 209, D24/210

CPC G06K 9/4671; G06T 2207/10116; G06T 2207/30196; G01V 5/0016; G01V 5/0025
See application file for complete search history.

(56) **References Cited**

U.S. PATENT DOCUMENTS

4,137,777	A *	2/1979	Haverl	A61B 8/08 600/445
D275,083	S *	8/1984	Pollard	D10/47
5,179,581	A *	1/1993	Annis	G01N 23/203 250/442.11
D334,980	S *	4/1993	Pritchard	D24/158
D657,058	S *	4/2012	Awad	D24/158
D804,670	S *	12/2017	Zhao	D24/158
2008/002238	A1 *	1/2008	Chang	H04N 1/024 358/474

2012/0307968	A1 *	12/2012	Smith	G01V 5/0016 378/57
2013/0041246	A1 *	2/2013	Sing	A61B 8/0858 600/407
2017/0337447	A1 *	11/2017	Smith	G06K 9/4671

FOREIGN PATENT DOCUMENTS

CN	302435189	*	5/2013
CN	302779586	*	4/2014
CN	303853192	*	9/2016

OTHER PUBLICATIONS

http://www.qilootech.net:80/sharpshooter_single_channel_body_security_detector_p7771.html Available Oct. 13, 2016 (Year: 2016).*

* cited by examiner

Primary Examiner — Susan B Hattan
Assistant Examiner — Leanne D Was-Englehart

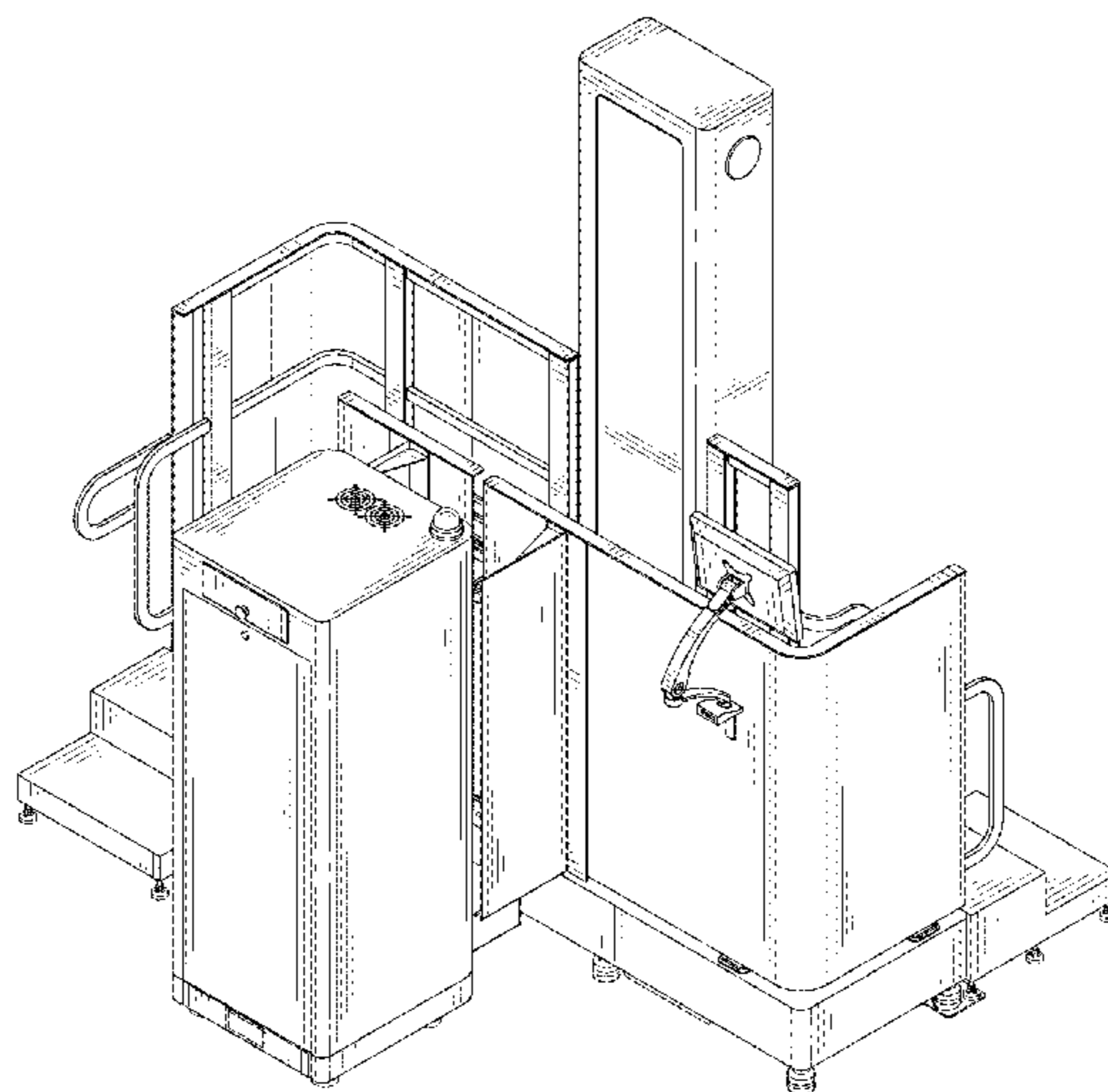
(57) **CLAIM**

The ornamental design for a human body safety detector, as shown and described.

DESCRIPTION

FIG. 1 is a top right front perspective view of a human body safety detector showing our new design; FIG. 2 is a top left front perspective view thereof; FIG. 3 is a top right rear perspective view thereof; FIG. 4 is a top left rear perspective view thereof; FIG. 5 is a front elevational view thereof; FIG. 6 is a rear elevational view thereof; FIG. 7 is a left side view thereof; FIG. 8 is a right side view thereof; and, FIG. 9 is a top plan view thereof. The broken lines in the drawings illustrate portions of the human body safety detector which form no part of the claimed design. The diagonal lines indicate transparency.

1 Claim, 9 Drawing Sheets



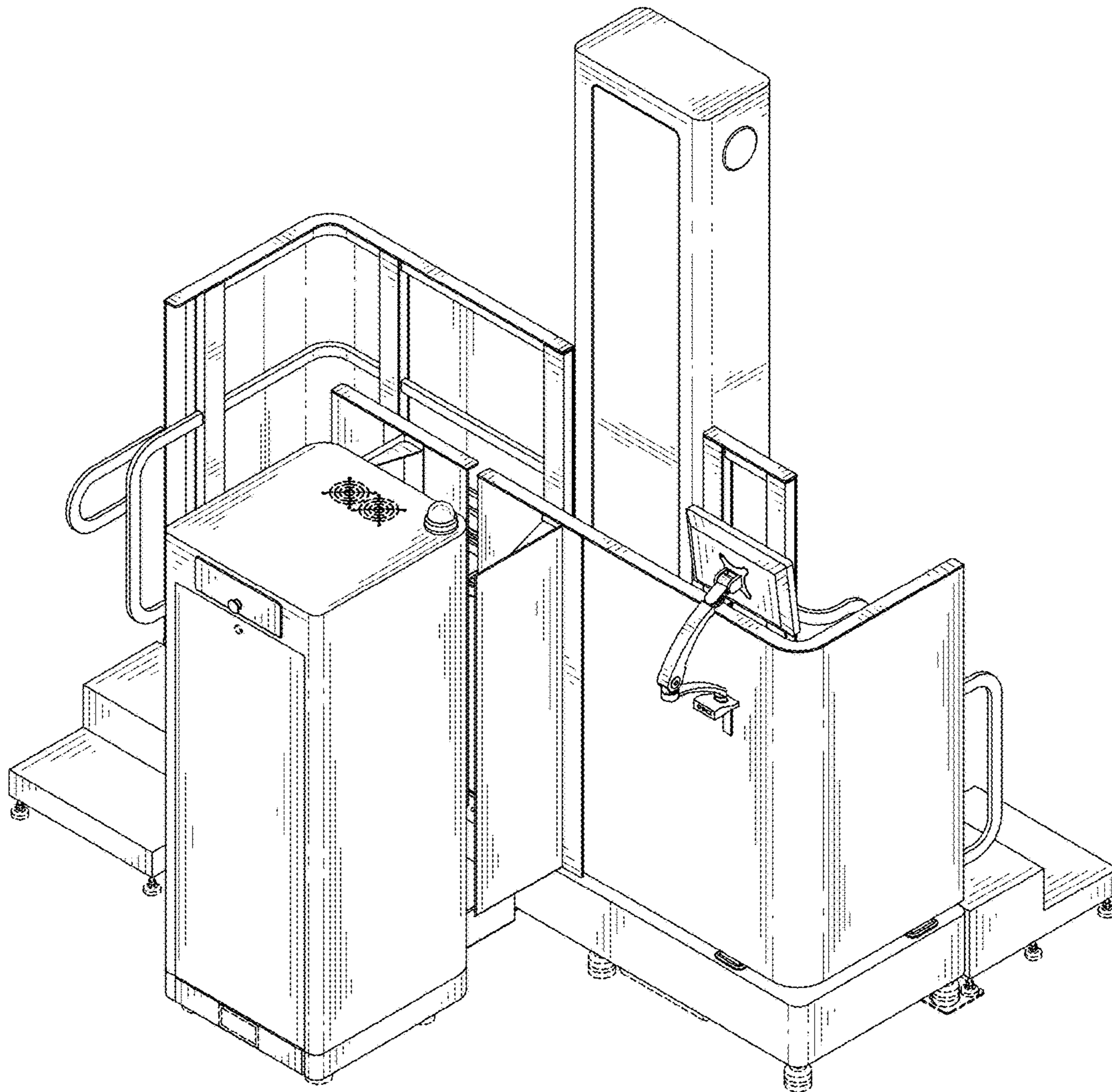


FIG. 1

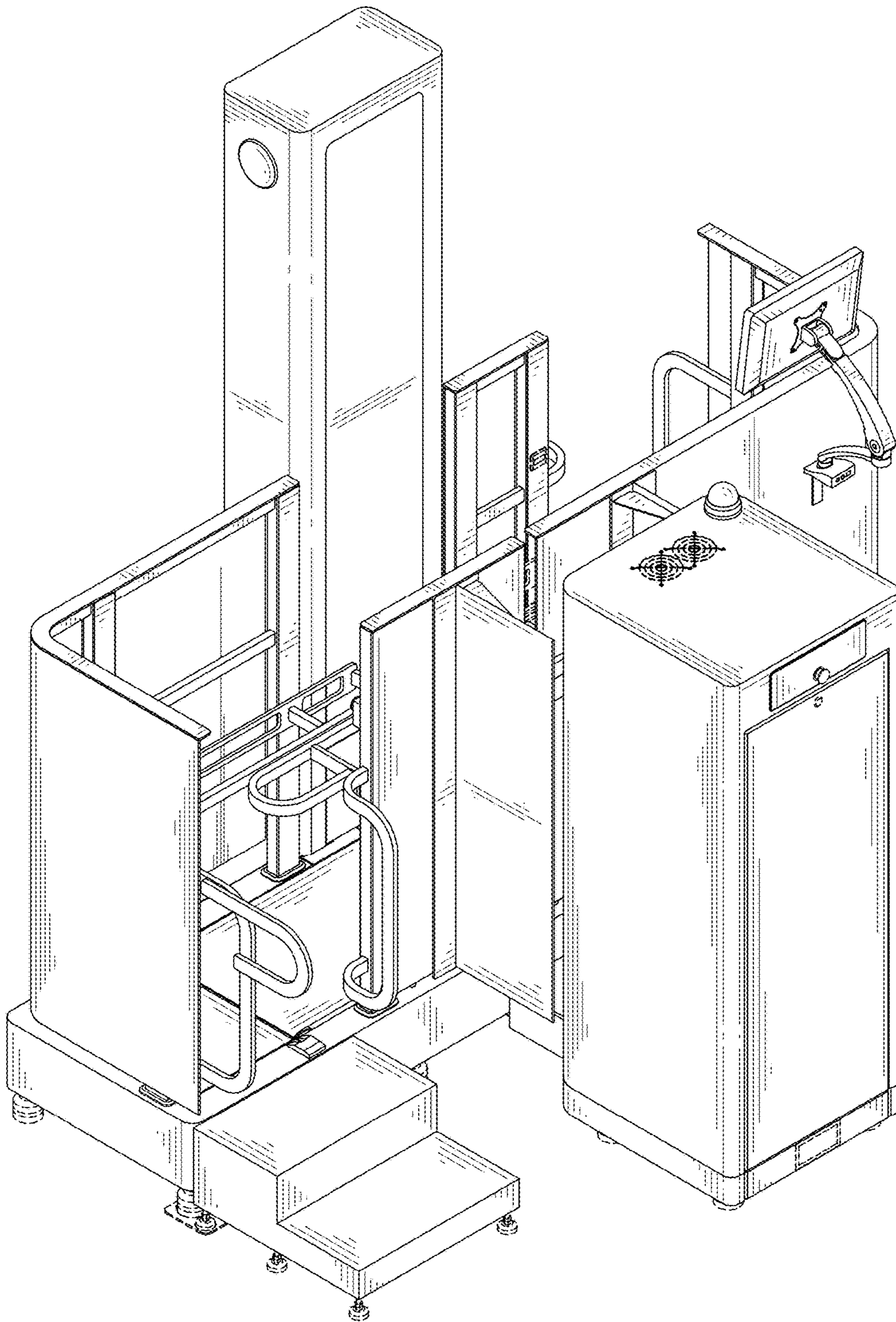


FIG. 2

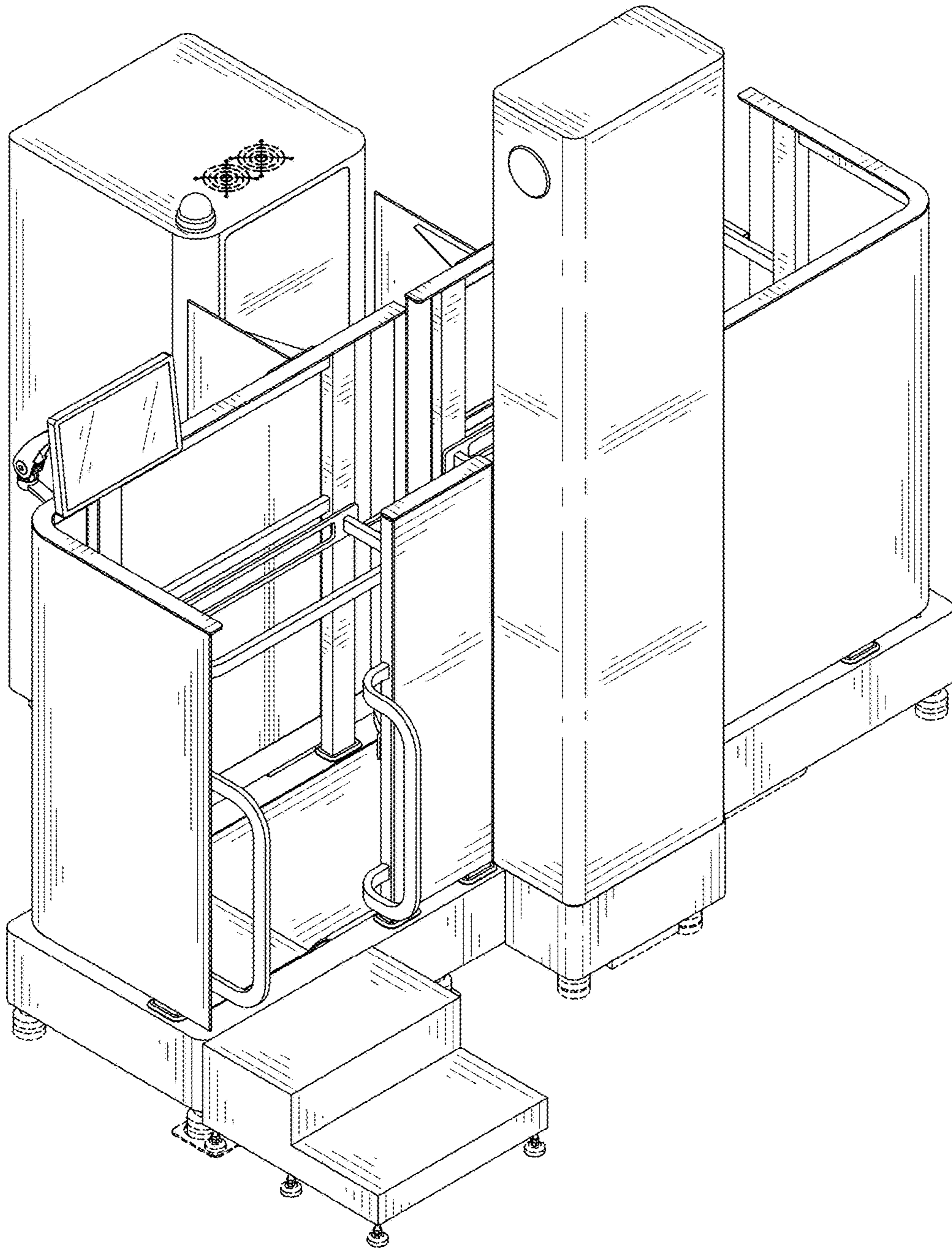


FIG. 3

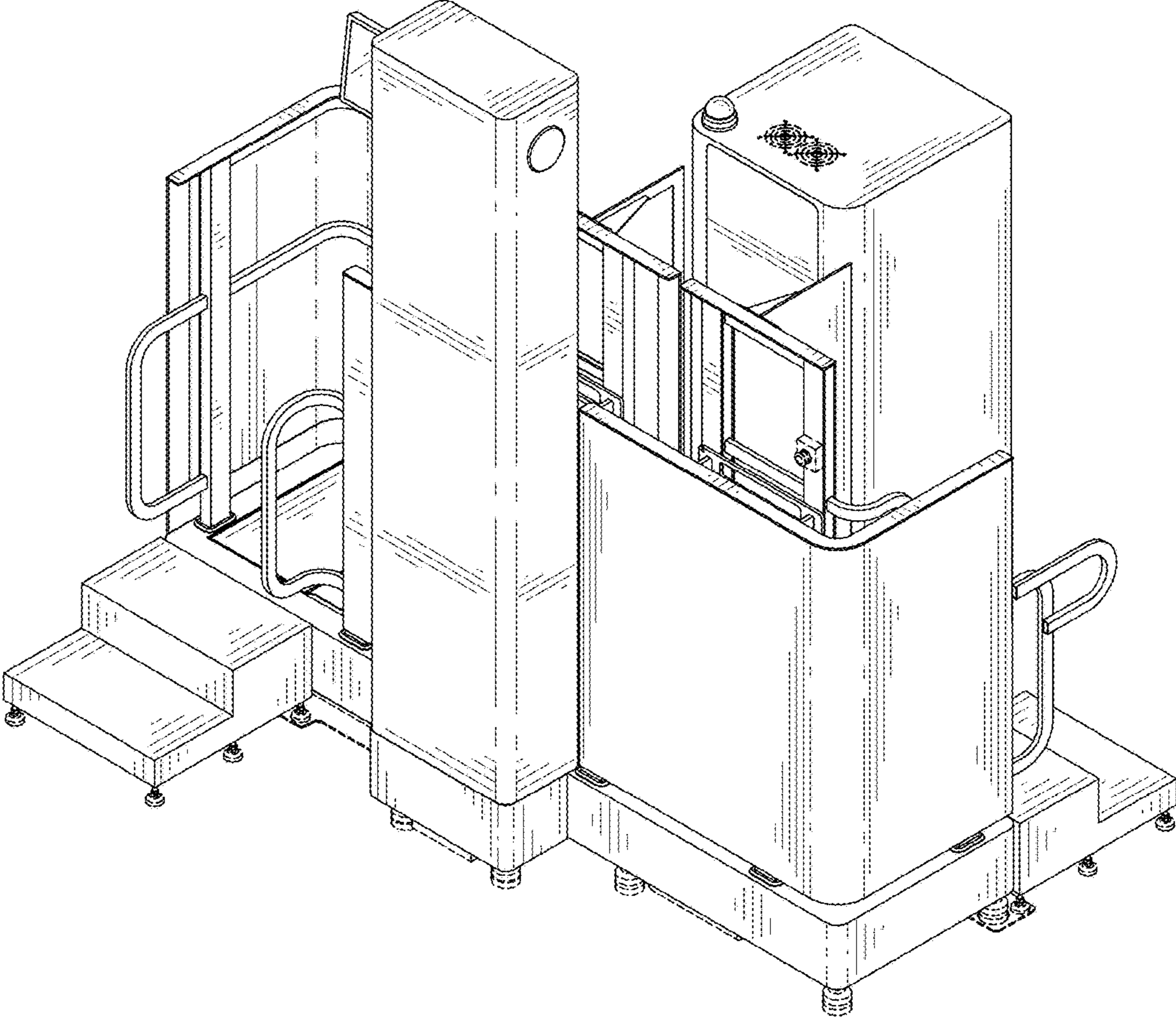


FIG. 4

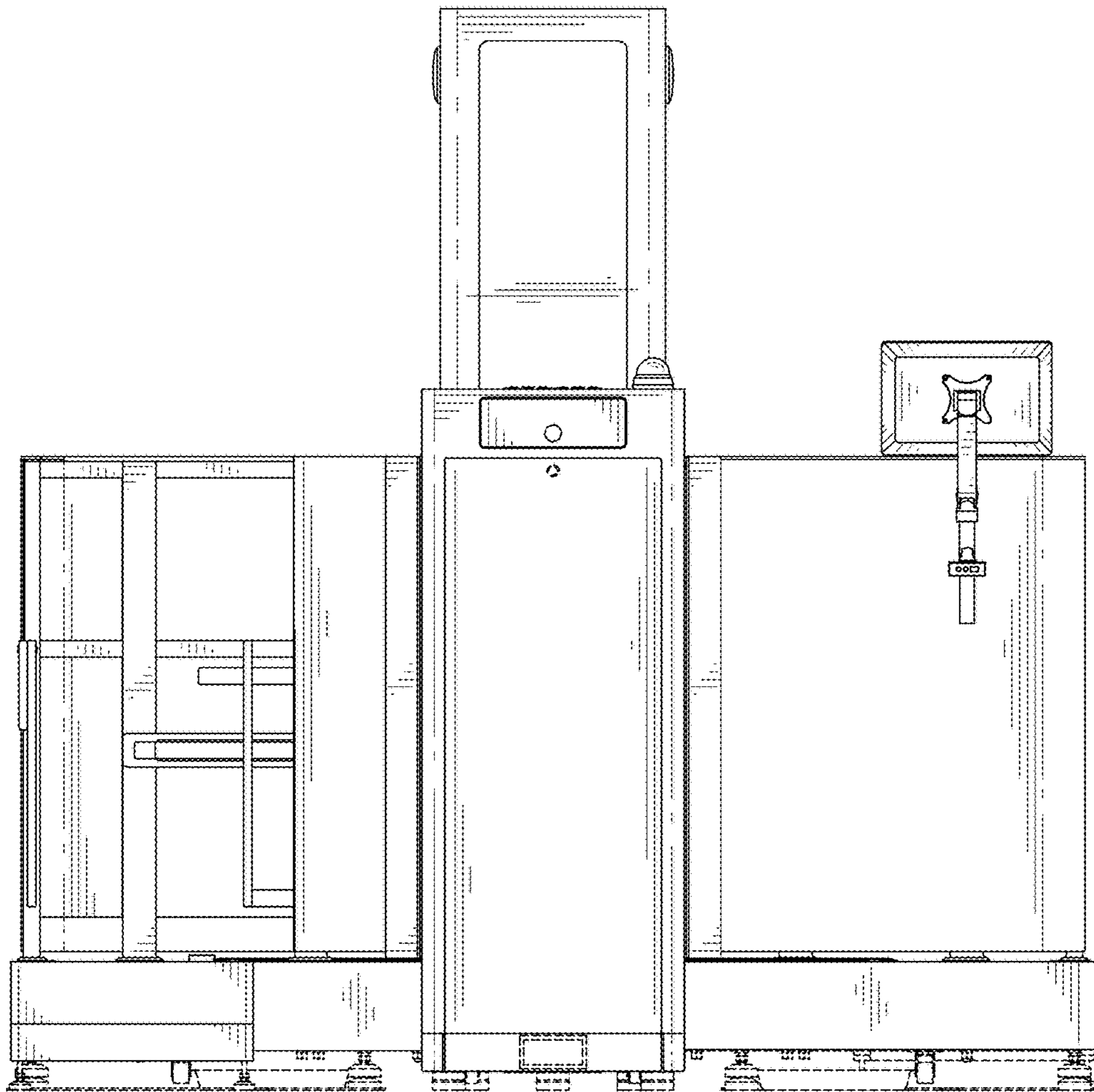


FIG. 5

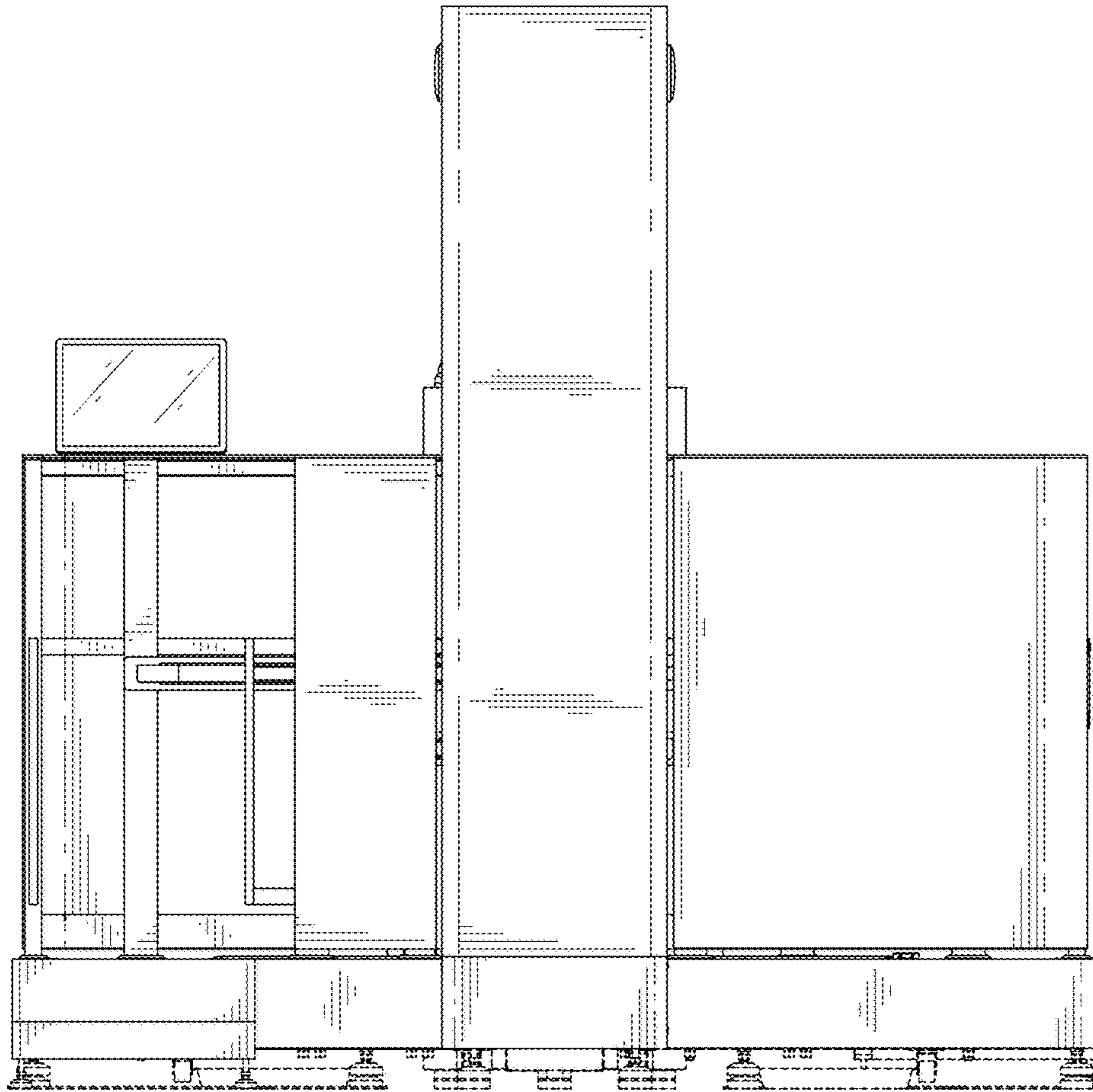


FIG. 6

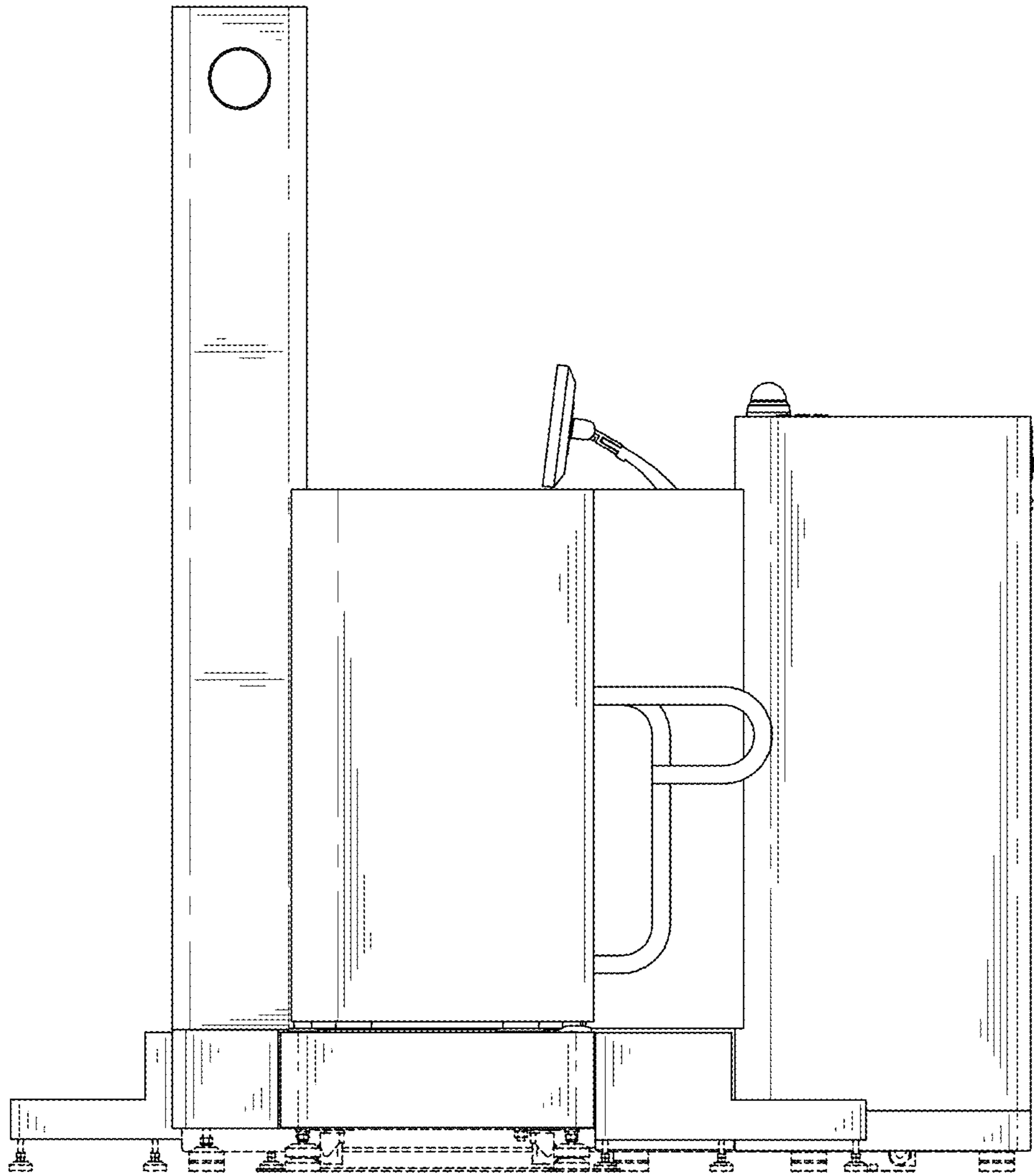


FIG. 7

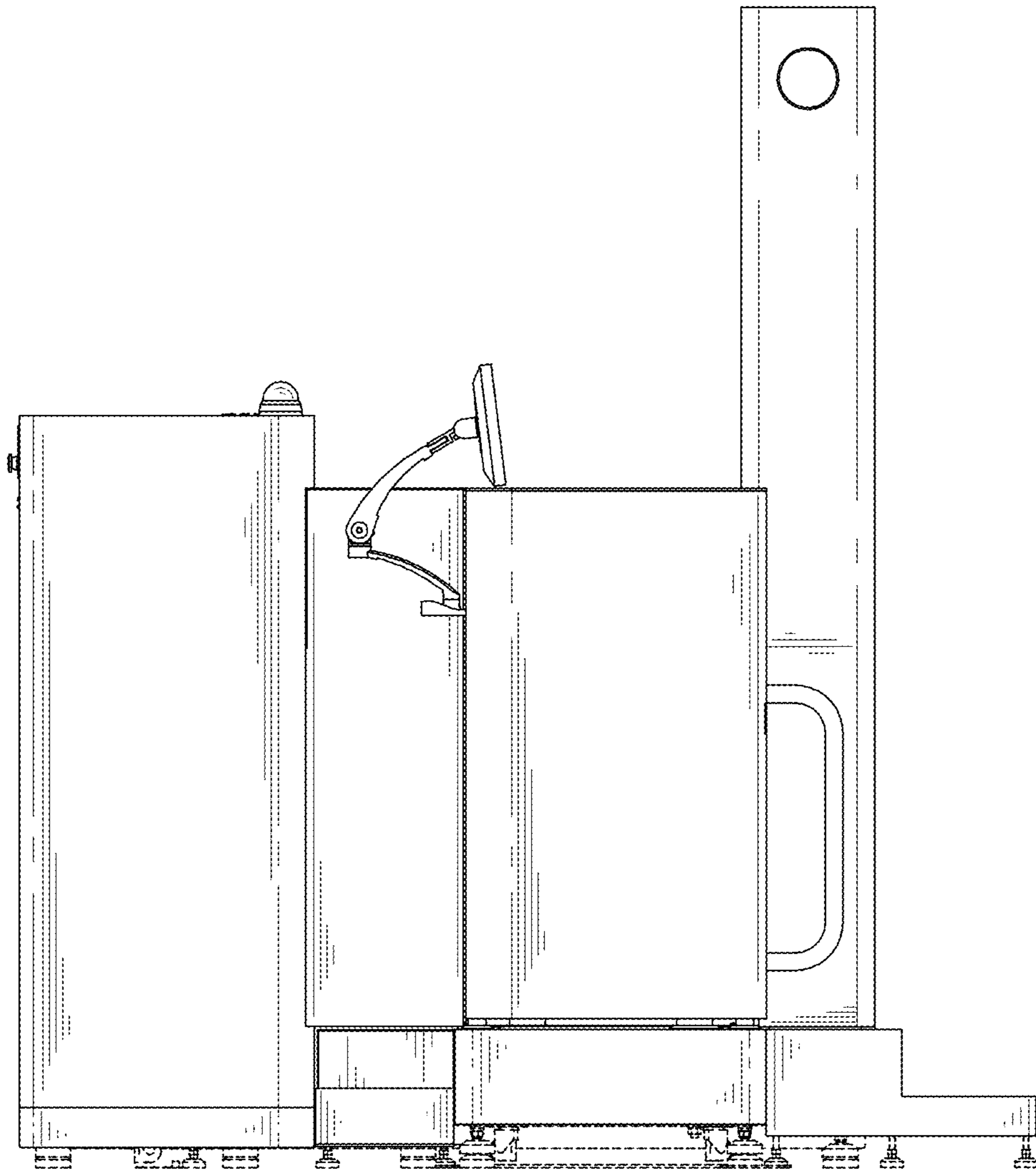


FIG. 8

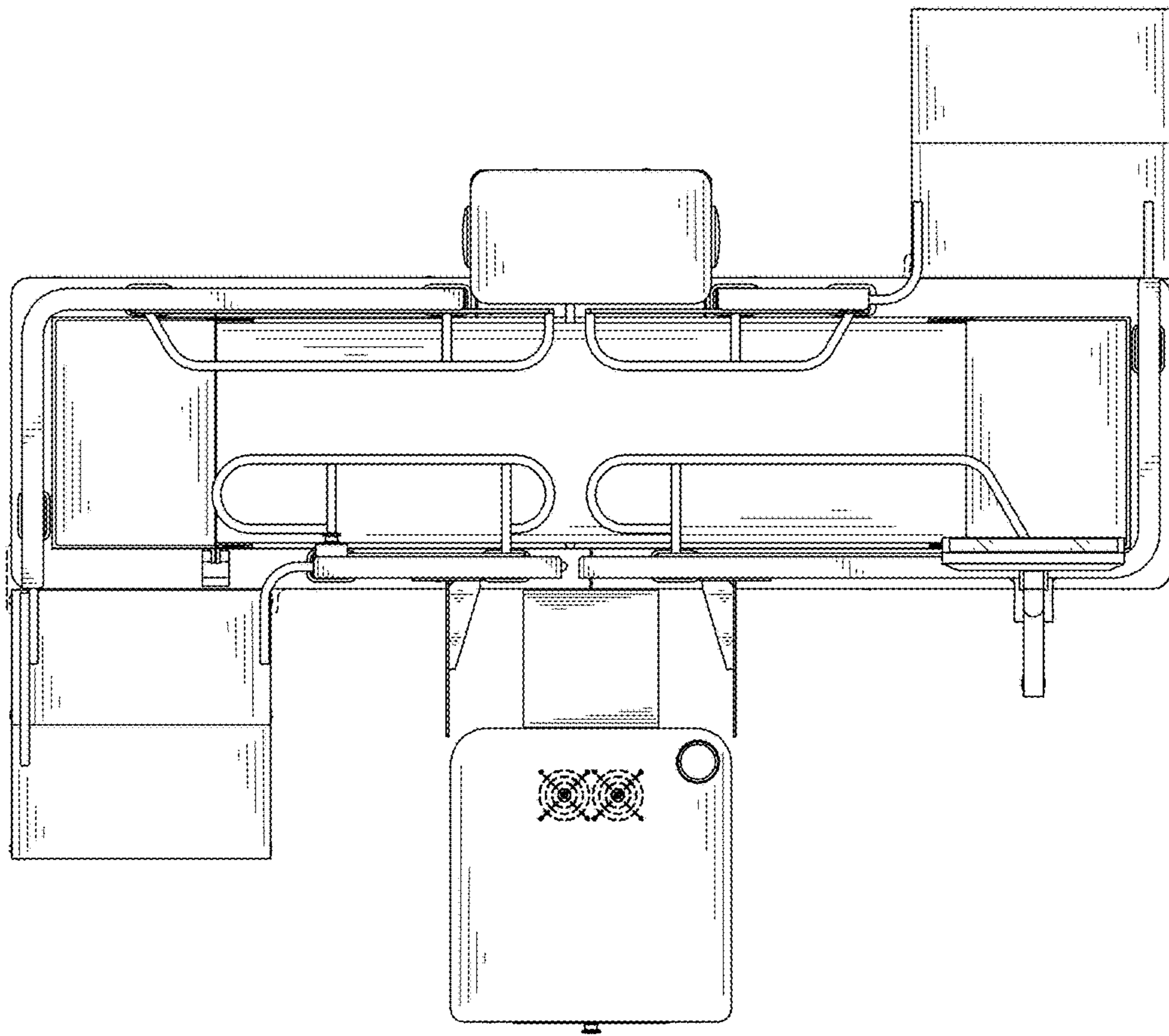


FIG. 9