



US00D823142S

(12) **United States Design Patent**
Cheng

(10) **Patent No.:** **US D823,142 S**
(45) **Date of Patent:** **** Jul. 17, 2018**

(54) **TIMER**

(71) Applicant: **Yuan Mei Corp.**, Chang Hua Hsien
(TW)

(72) Inventor: **Chi-Han Cheng**, Chang Hua Hsien
(TW)

(73) Assignee: **Yuan Mei Corp.**, Changhua (TW)

(**) Term: **15 Years**

(21) Appl. No.: **29/603,022**

(22) Filed: **May 5, 2017**

(51) **LOC (11) Cl.** **10-03**

(52) **U.S. Cl.**
USPC **D10/40**

(58) **Field of Classification Search**
USPC D10/40, 49, 56, 96, 125; D13/162.1;
D16/200, 217, 218, 220; D23/245, 246
CPC A01G 25/00; A01G 25/16; A01G 25/165;
B05B 12/02; F16K 31/48
See application file for complete search history.

(56) **References Cited**

U.S. PATENT DOCUMENTS

D25,503 S	5/1896	Codman	
D53,726 S	8/1919	Berge	
1,865,965 A	7/1932	Ruiz	
D179,112 S	11/1956	Becker	
D179,181 S	11/1956	Becker	
D191,294 S	9/1961	Charnota	
4,562,865 A	1/1986	Lemkin et al.	
D282,446 S	2/1986	Gremonprez et al.	
D282,932 S *	3/1986	Maitani	D16/217
D289,431 S *	4/1987	Clivio	D23/246
D295,778 S	5/1988	Bruninga et al.	
D298,962 S	12/1988	Bruninga	
4,807,664 A	2/1989	Wilson et al.	
D309,175 S	7/1990	Hastings et al.	
4,951,204 A	8/1990	Mylne, III	
5,135,168 A	8/1992	Wang	

5,262,936 A	11/1993	Faris et al.	
D365,771 S	1/1996	Clivio	
D372,927 S *	8/1996	Elmore	D16/220
D386,985 S	12/1997	Cameron	

(Continued)

FOREIGN PATENT DOCUMENTS

EM	003826833-0001	4/2017
EM	003826833-0002	4/2017
EM	003826833-0003	4/2017

OTHER PUBLICATIONS

Melnor 4-Outlet Digital Water Timer | posted at amazon.com No posting date © 1996-2018, Amazon.com, Inc [online][site visited Mar. 27, 2018]. Available from Internet: <https://www.amazon.com/gp/product/B0748MN8V8/ref=s9_dcacsd_dcoop_bw_c_x_2_w> (Year: 2018).*

(Continued)

Primary Examiner — Sandra S Snapp
Assistant Examiner — Katherine Glennon
(74) *Attorney, Agent, or Firm* — Senniger Powers LLP

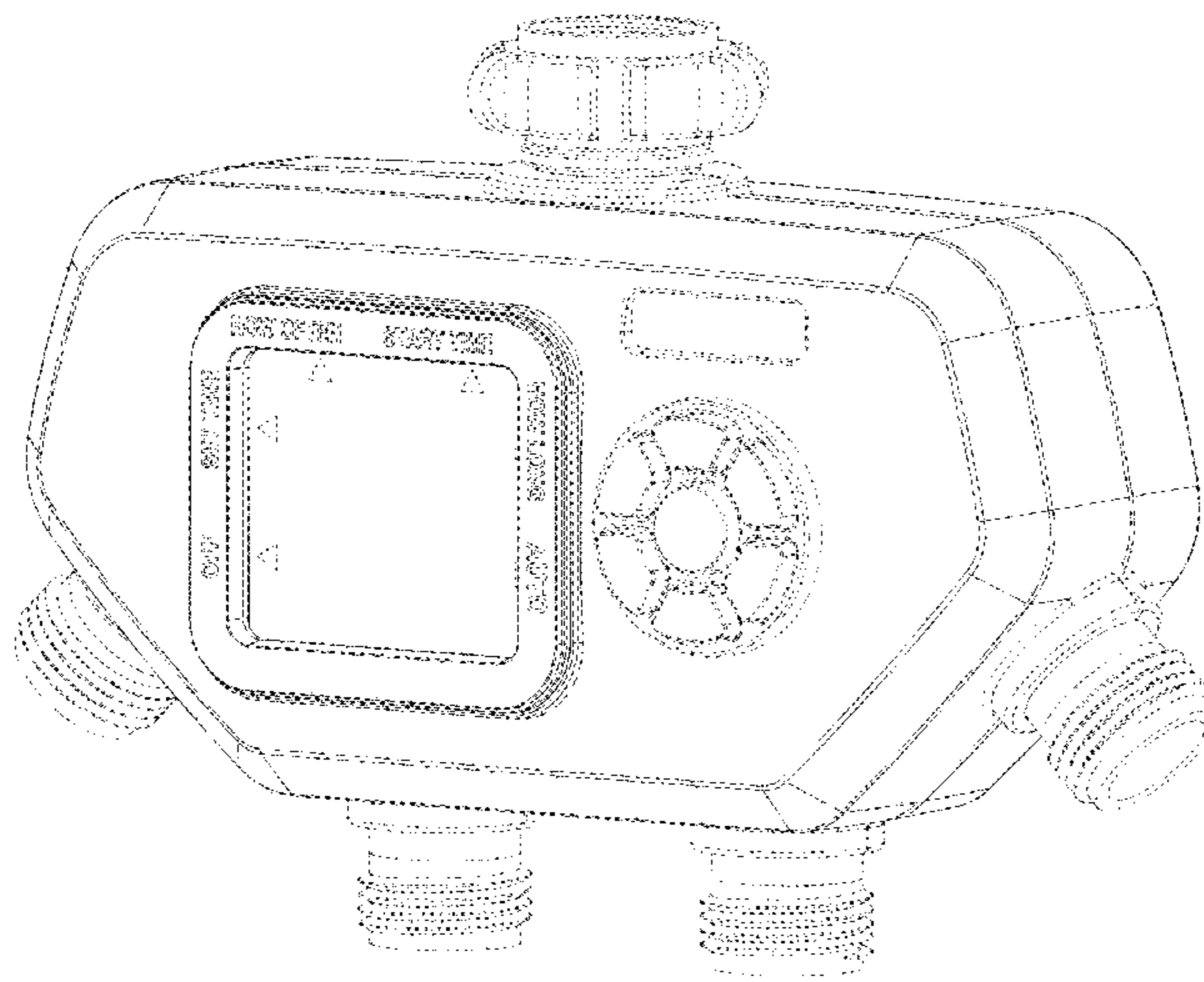
(57) **CLAIM**

The ornamental design for a timer, as shown and described.

DESCRIPTION

FIG. 1 is a right front perspective view of a timer showing my new design;
FIG. 2 is a front view thereof;
FIG. 3 is a rear view thereof;
FIG. 4 is a left side view thereof;
FIG. 5 is a right side view thereof;
FIG. 6 is a top view thereof; and,
FIG. 7 is a bottom view thereof.
The broken lines in the drawings illustrate portions of the timer that form no part of the claimed design.

1 Claim, 7 Drawing Sheets



(56)

References Cited

U.S. PATENT DOCUMENTS

D427,085 S 6/2000 Steinhagen
 D428,347 S 7/2000 Stekelenburg
 D431,195 S 9/2000 Clivio
 D432,441 S 10/2000 Stekelenburg
 D452,695 S * 1/2002 Miller D13/164
 D454,508 S 3/2002 Stekelenburg
 D460,474 S * 7/2002 Gotham D16/219
 D467,187 S 12/2002 Clivio
 D476,240 S 6/2003 Kuramochi et al.
 D485,502 S 1/2004 Clivio
 D500,453 S 1/2005 Cullen et al.
 D507,243 S 7/2005 Miller
 7,225,057 B2 5/2007 Froman et al.
 D559,708 S 1/2008 Michael et al.
 D567,680 S 4/2008 Michael et al.
 D604,184 S 11/2009 Leer et al.
 D636,278 S * 4/2011 Franchini D10/40
 D642,077 S 7/2011 Nies et al.
 D643,755 S 8/2011 Nies et al.
 D647,411 S 10/2011 Barton et al.
 D647,554 S * 10/2011 Yim D16/204
 D657,263 S 4/2012 Nies et al.
 D657,264 S 4/2012 Nies et al.
 8,160,750 B2 4/2012 Weiler
 D658,519 S 5/2012 Connolly et al.
 D659,029 S * 5/2012 Connolly D10/122
 D662,844 S * 7/2012 Guerrero D10/96
 8,251,300 B2 8/2012 Wilson
 D671,847 S 12/2012 Chandran et al.
 D671,848 S 12/2012 Chandran et al.
 D671,849 S 12/2012 Chandran et al.
 D679,202 S * 4/2013 Hu D10/40
 D679,259 S 4/2013 Franchini
 D679,260 S 4/2013 Franchini
 D682,714 S 5/2013 Barton et al.
 D691,243 S * 10/2013 Meyer D23/245
 D695,802 S 12/2013 Kim et al.
 D710,921 S * 8/2014 Gioscia D16/200

D713,271 S * 9/2014 Ericksen A01G 25/165
 D10/40
 8,882,343 B1 11/2014 Baldwin et al.
 D720,431 S * 12/2014 Michael D10/40
 D725,169 S * 3/2015 Gioscia D16/200
 D734,799 S * 7/2015 Woodman D16/200
 D736,104 S 8/2015 Ericksen et al.
 D750,506 S 3/2016 Ericksen et al.
 D750,977 S 3/2016 Ericksen et al.
 9,329,576 B1 5/2016 Baldwin et al.
 D759,742 S 6/2016 Kim et al.
 D764,950 S 8/2016 Cheng
 D764,951 S * 8/2016 Cheng D10/40
 D769,742 S * 10/2016 Cheng D10/40
 D770,310 S * 11/2016 Rogers D10/40
 D770,311 S 11/2016 Ericksen et al.
 D770,918 S * 11/2016 Cheng D10/40
 D772,083 S * 11/2016 Cheng D10/40
 D778,738 S 2/2017 Ericksen et al.
 D779,343 S 2/2017 Ericksen et al.
 D781,160 S 3/2017 Ericksen et al.
 D782,340 S 3/2017 Ericksen et al.
 D782,354 S * 3/2017 Lovin D10/101
 D797,580 S * 9/2017 Read D10/49
 D805,569 S * 12/2017 Daugela D16/200
 2009/0001182 A1 * 1/2009 Siddaramanna F24F 11/30
 236/46 R
 2009/0001193 A1 1/2009 Parsons et al.
 2010/0230510 A1 9/2010 Wilson
 2014/0229024 A1 * 8/2014 Wang A01G 25/165
 700/284
 2016/0282833 A1 * 9/2016 Wang G05B 19/108
 2017/0227245 A1 * 8/2017 Amundson F24F 11/30

OTHER PUBLICATIONS

The Toro Company, ECXTRA™ Automatic Sprinkler System Control Timer User's Guide, © 2004, 44 pages, Form No. 373-0339 Rev. A.

* cited by examiner

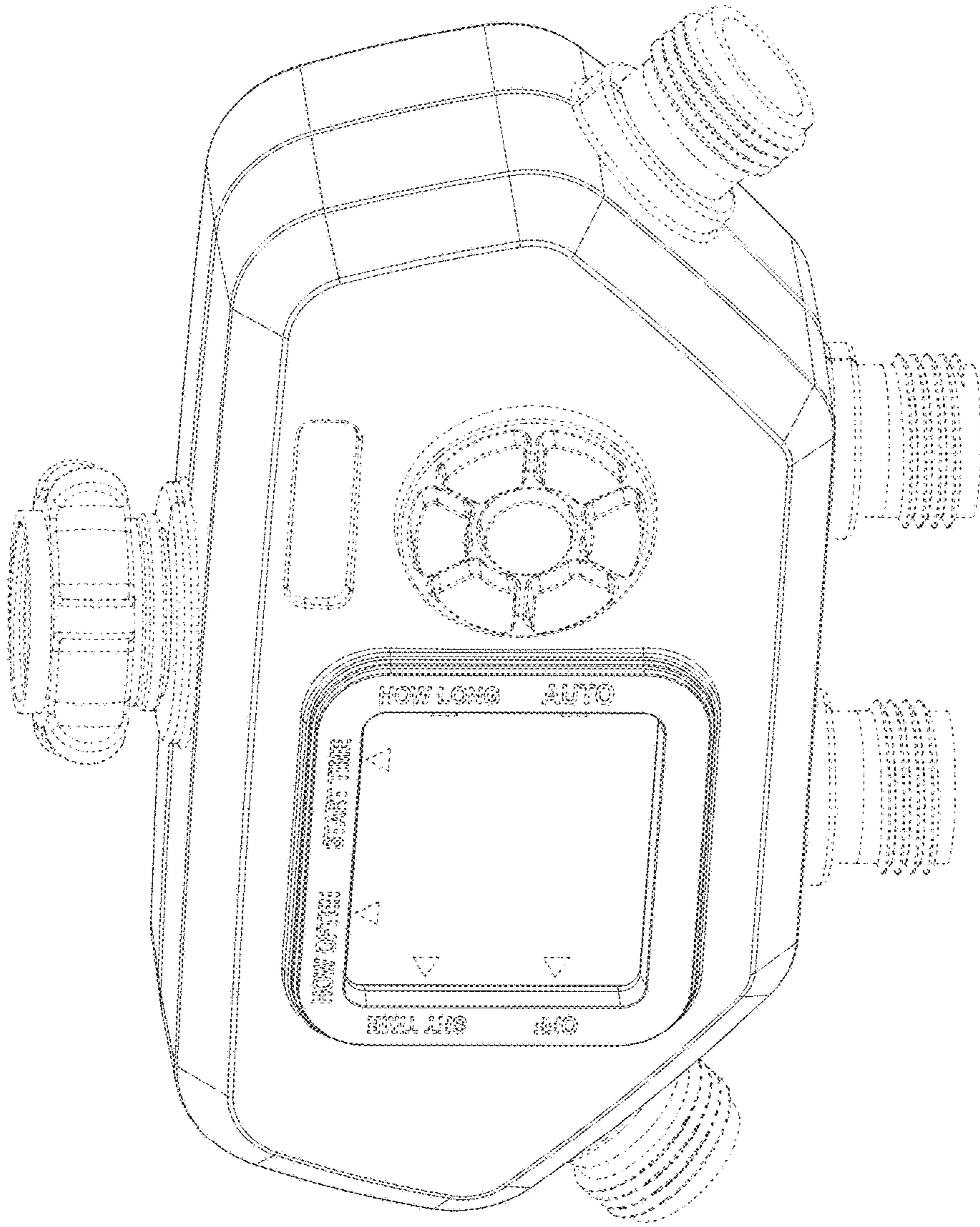


FIG. 1

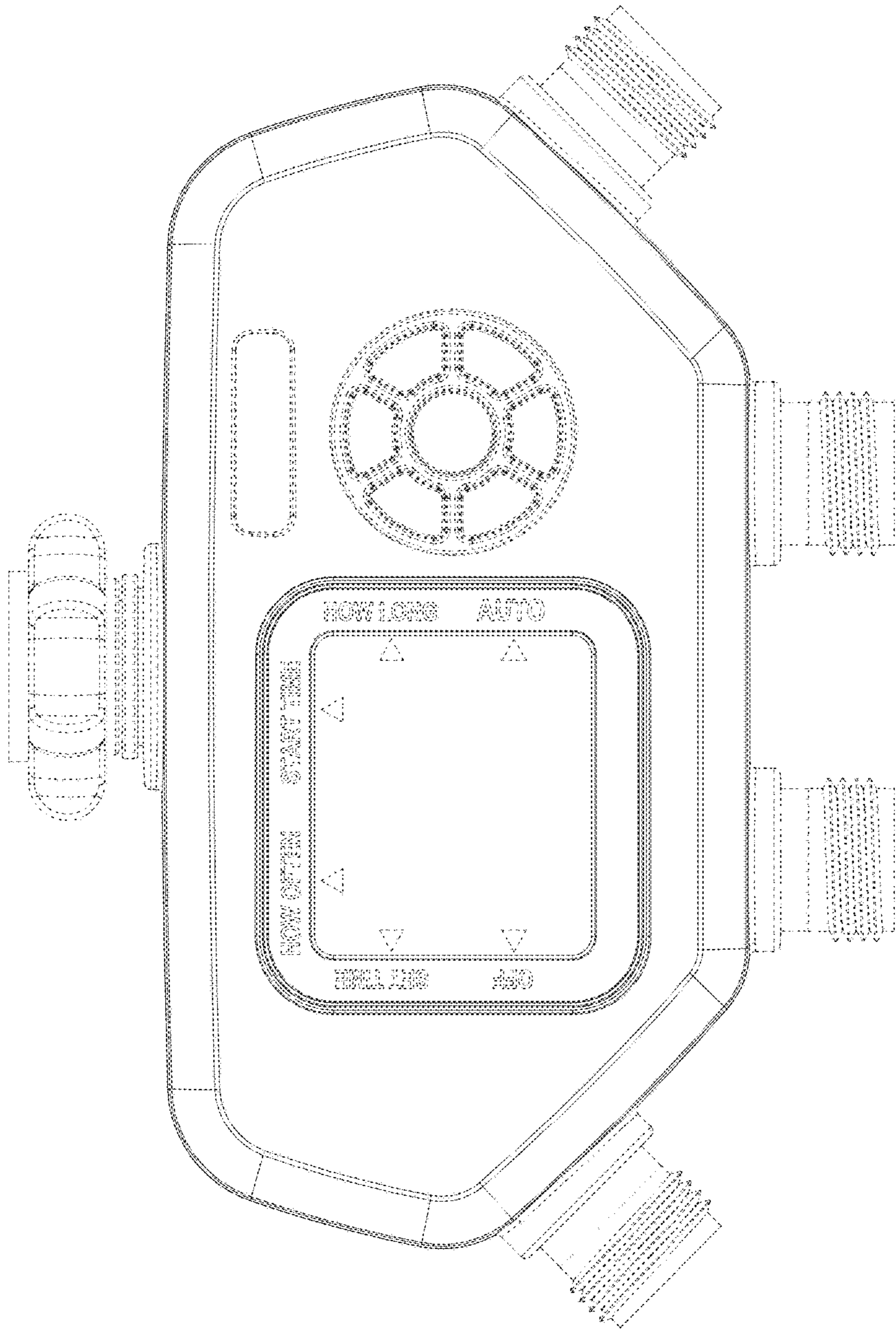


FIG. 2

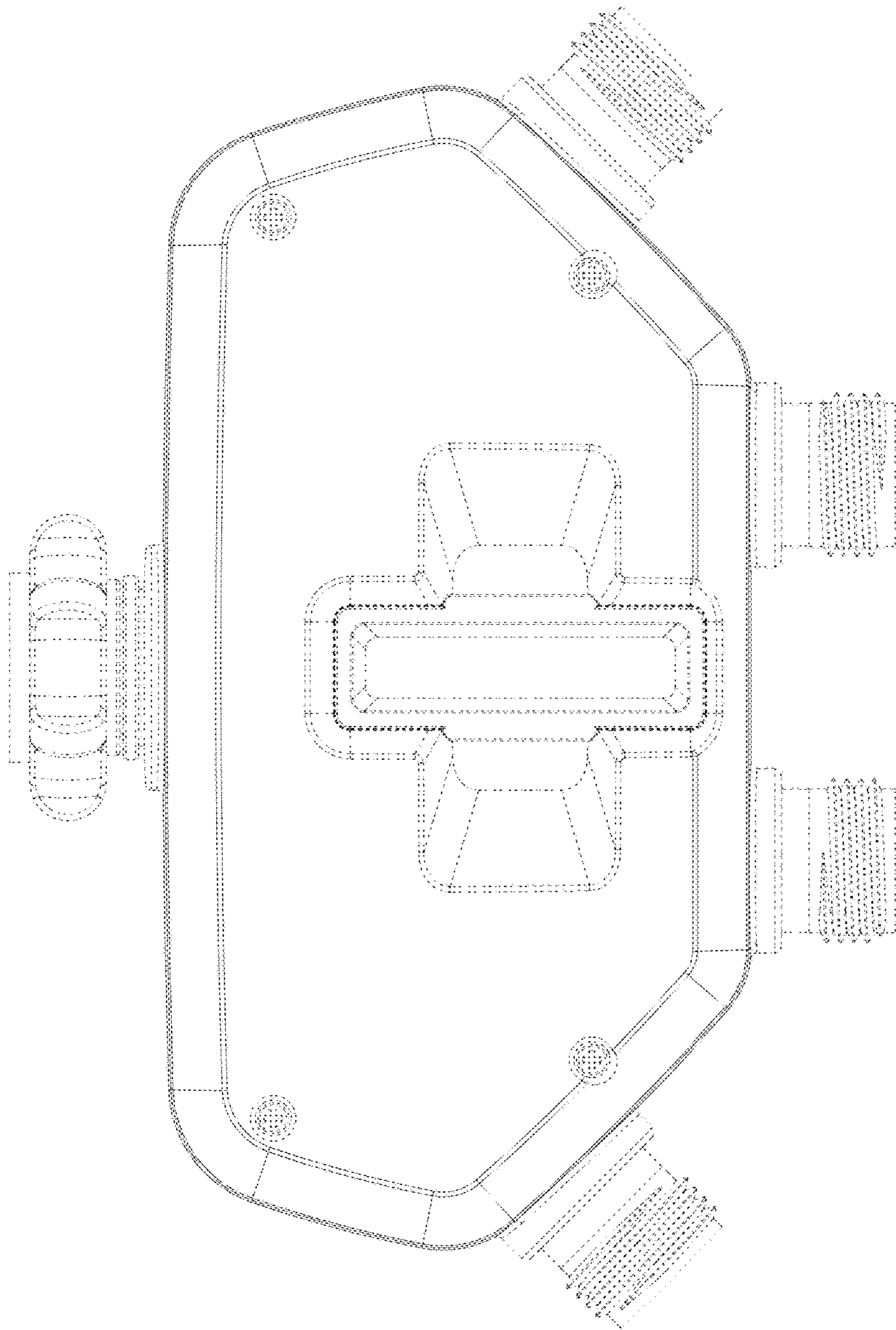


FIG. 3

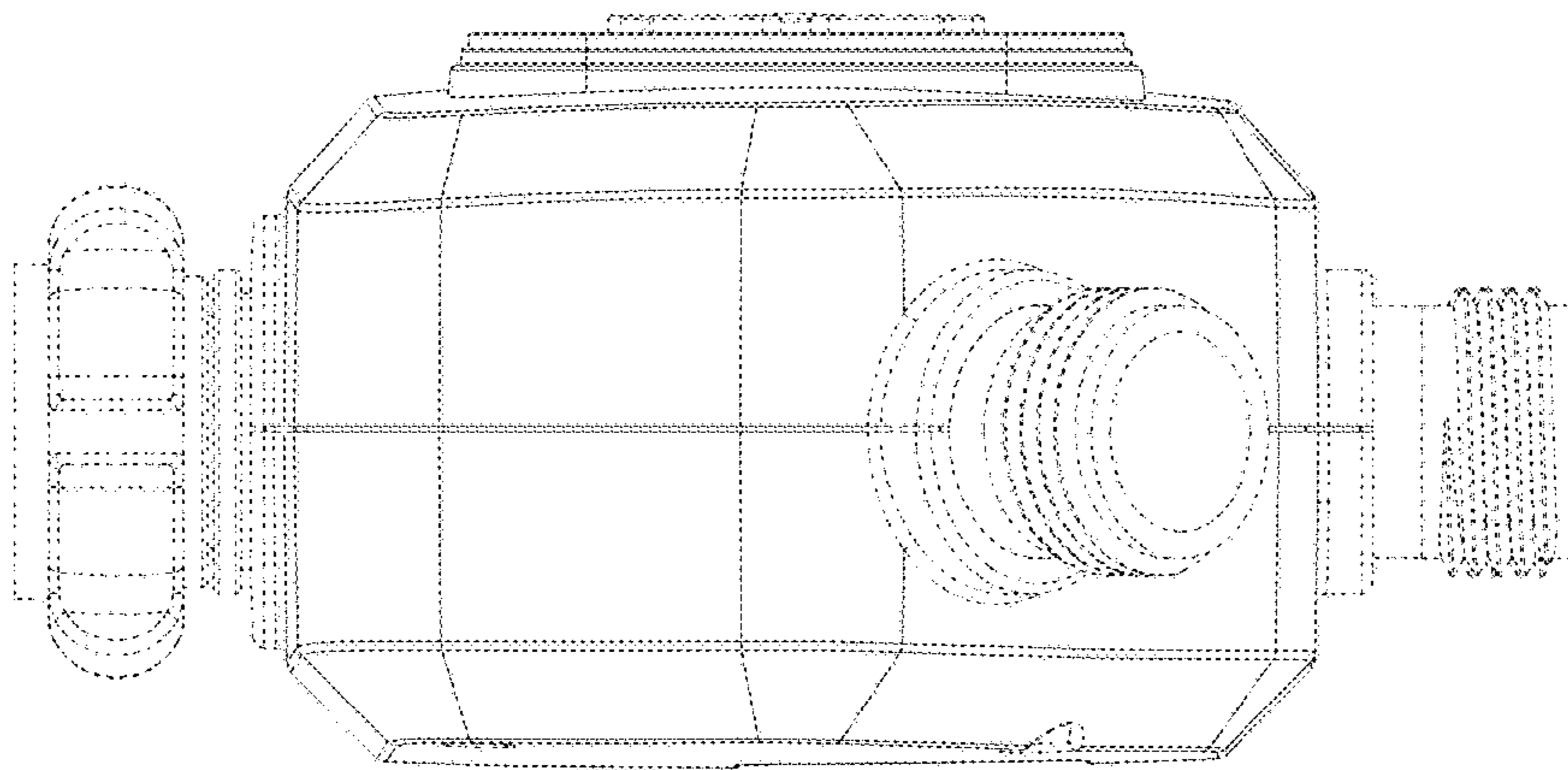


FIG. 4

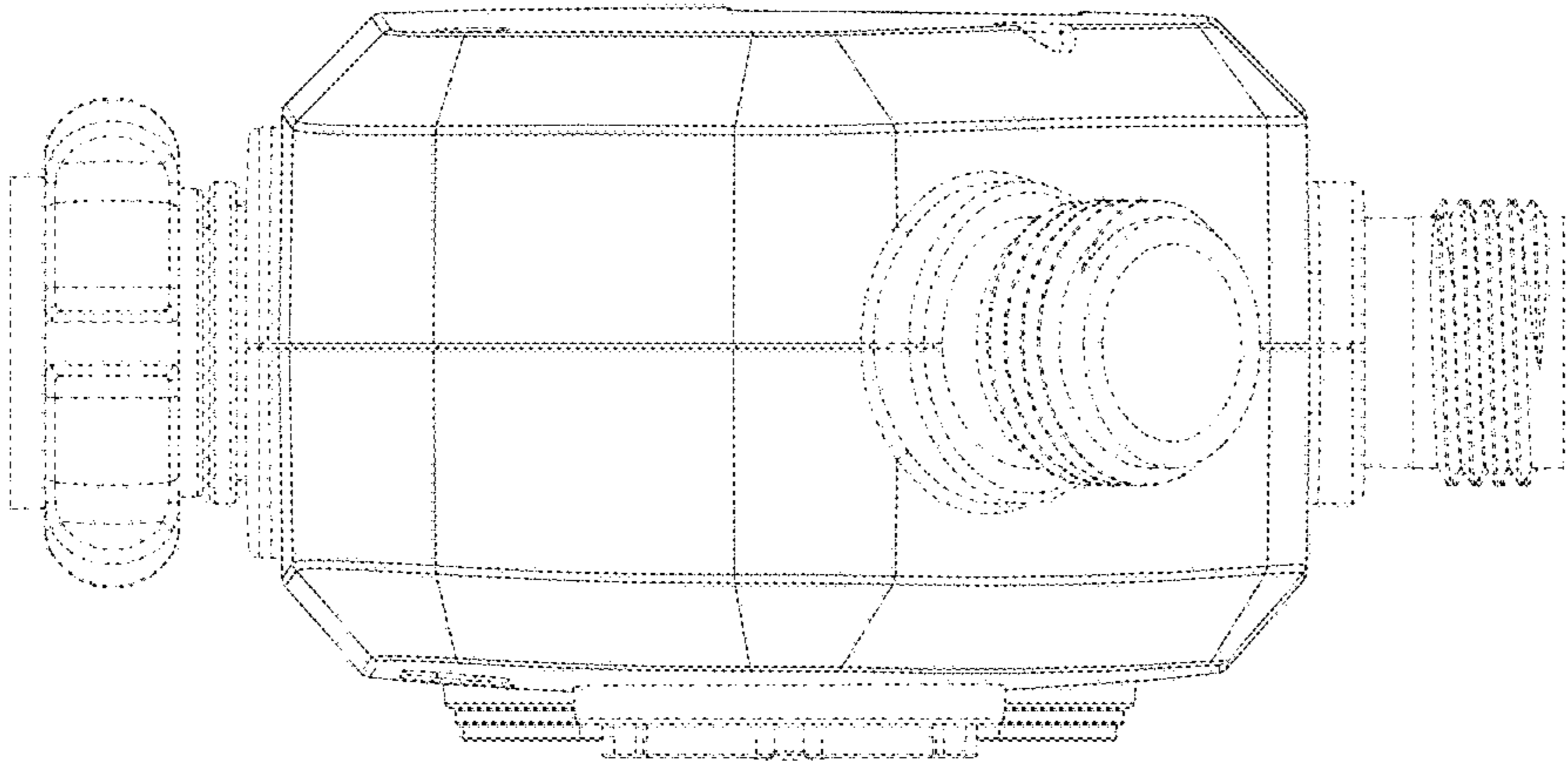


FIG. 5

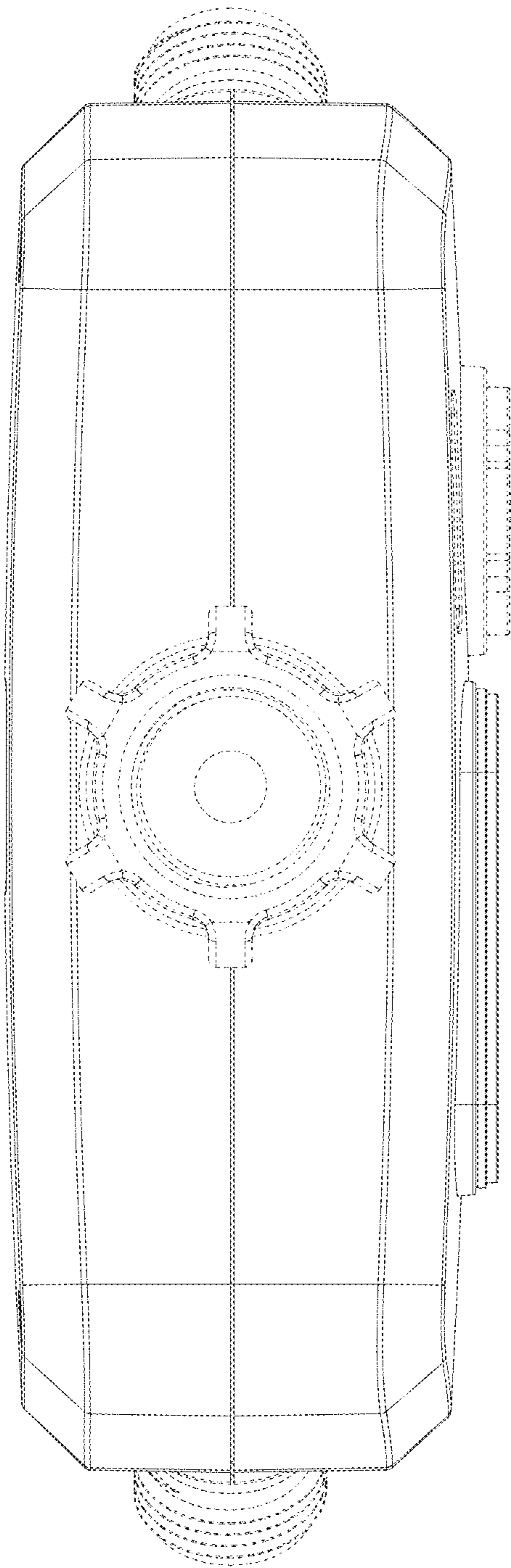


FIG. 6

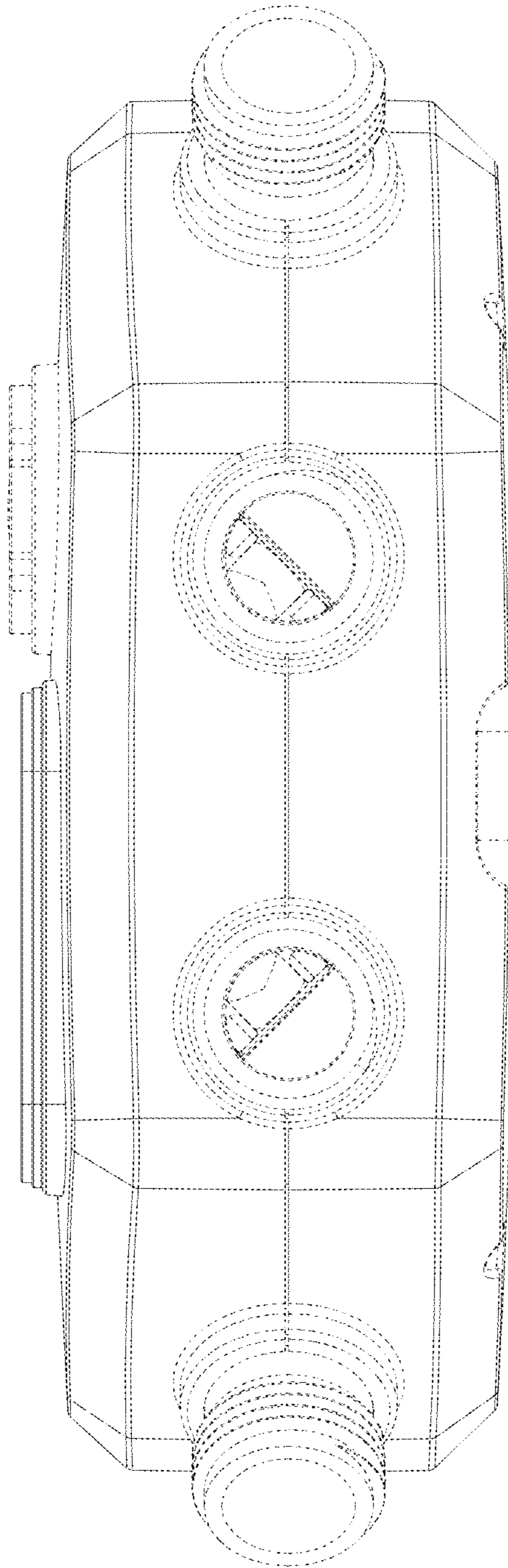


FIG. 7