



US00D823141S

(12) **United States Design Patent**  
**Mille**

(10) **Patent No.:** **US D823,141 S**  
(45) **Date of Patent:** **\*\* Jul. 17, 2018**

- (54) **WATCH**
- (71) Applicant: **Turlen Holding SA**, Les Breuleux (CH)
- (72) Inventor: **Richard Mille**, Moulins (FR)
- (73) Assignee: **TURLEN HOLDING SA**, Les Breuleux (CH)
- (\*\*) Term: **15 Years**
- (21) Appl. No.: **29/610,514**
- (22) Filed: **Jul. 13, 2017**

(30) **Foreign Application Priority Data**

May 5, 2017 (WO) ..... 3283901

- (51) **LOC (11) Cl.** ..... **10-02**
- (52) **U.S. Cl.**  
USPC ..... **D10/39**
- (58) **Field of Classification Search**  
USPC ..... D10/1-3, 6, 14-16, 23, 30-39, 41, 65,  
D10/70; D11/3, 14, 31, 52; D14/171,  
D14/344; D24/167, 186; D6/308, 310  
See application file for complete search history.

(56) **References Cited**

**U.S. PATENT DOCUMENTS**

3,685,282	A	*	8/1972	Kock	.....	G04B 15/00 368/131
D456,274	S	*	4/2002	Mille	.....	D10/30
D570,710	S	*	6/2008	Wong	.....	D10/30
D596,051	S	*	7/2009	Mille	.....	D10/38
D606,888	S	*	12/2009	Mille	.....	D10/38
D616,312	S	*	5/2010	Ellia	.....	D10/39
D617,211	S	*	6/2010	Grimoldi	.....	D10/38
D624,439	S	*	9/2010	Wunderman	.....	D10/32
D658,515	S	*	5/2012	Mille	.....	D10/39
D658,516	S	*	5/2012	Mille	.....	D10/39
D660,184	S	*	5/2012	Calce	.....	D10/32

D663,220	S	*	7/2012	Mouclier	.....	D10/1
D664,047	S	*	7/2012	Mille	.....	D10/39
D673,868	S	*	1/2013	Mille	.....	D10/39
D710,216	S	*	8/2014	Mille	.....	D10/38
D714,662	S	*	10/2014	Mille	.....	D10/39
D715,164	S	*	10/2014	Tedeschi	.....	D10/128
8,956,041	B2	*	2/2015	Forsey	.....	G04B 17/285 368/127
D736,653	S	*	8/2015	Mille	.....	D10/39

(Continued)

**OTHER PUBLICATIONS**

Richard Mille 67-02 Sprint and High Jump I posted at Hodinkee.com Jul. 25, 2017 © 2009-2018, Hodinkee Inc [online][site visited Apr. 11, 2018]. Available from internet: <https://www.hodinkee.com/articles/the-richard-mille-67-02-sprint-and-high-jump (Year: 2017).\*

*Primary Examiner* — Sandra S Snapp  
*Assistant Examiner* — Katherine Glennon  
(74) *Attorney, Agent, or Firm* — Donald J. Ranft; Collen

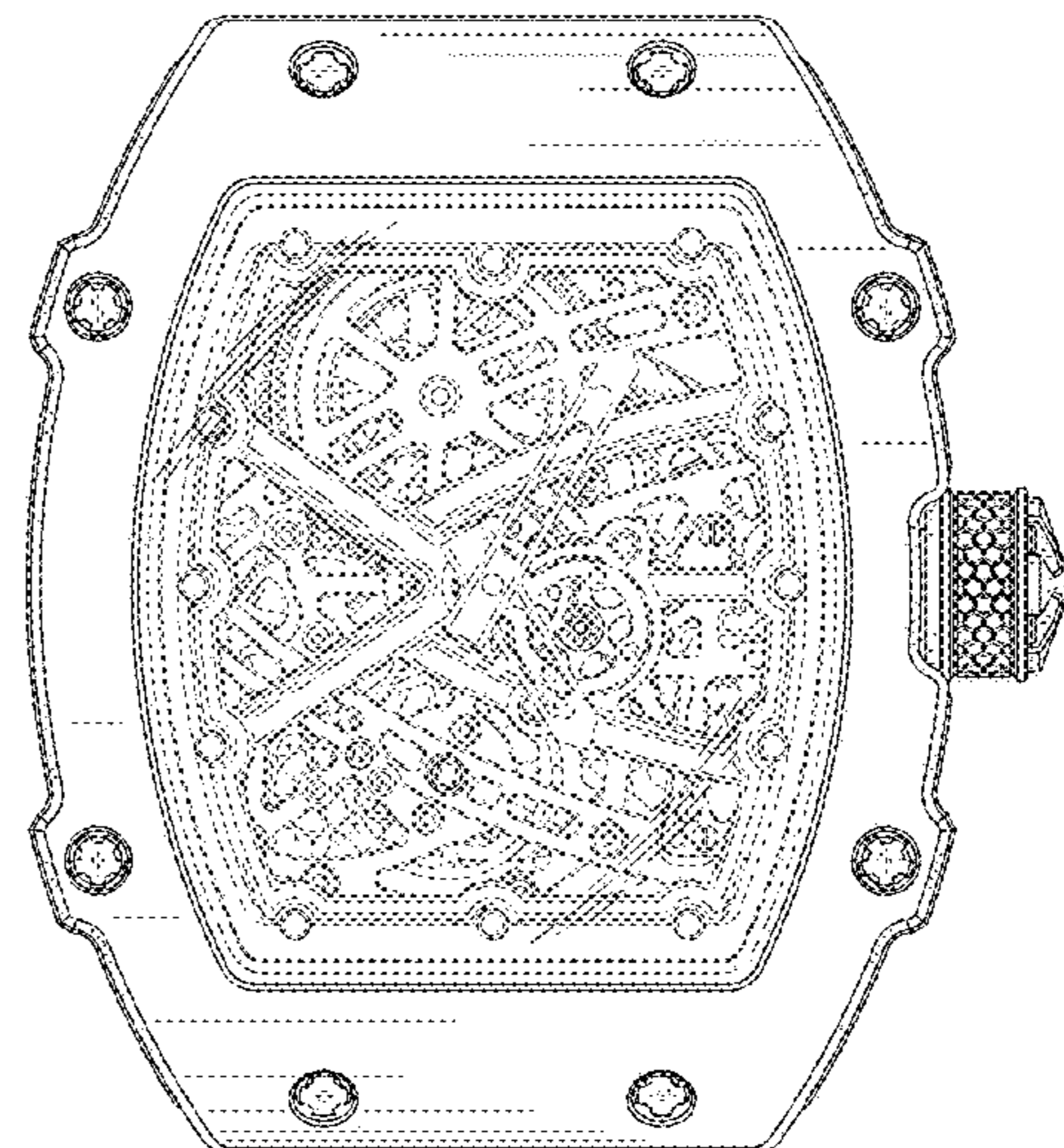
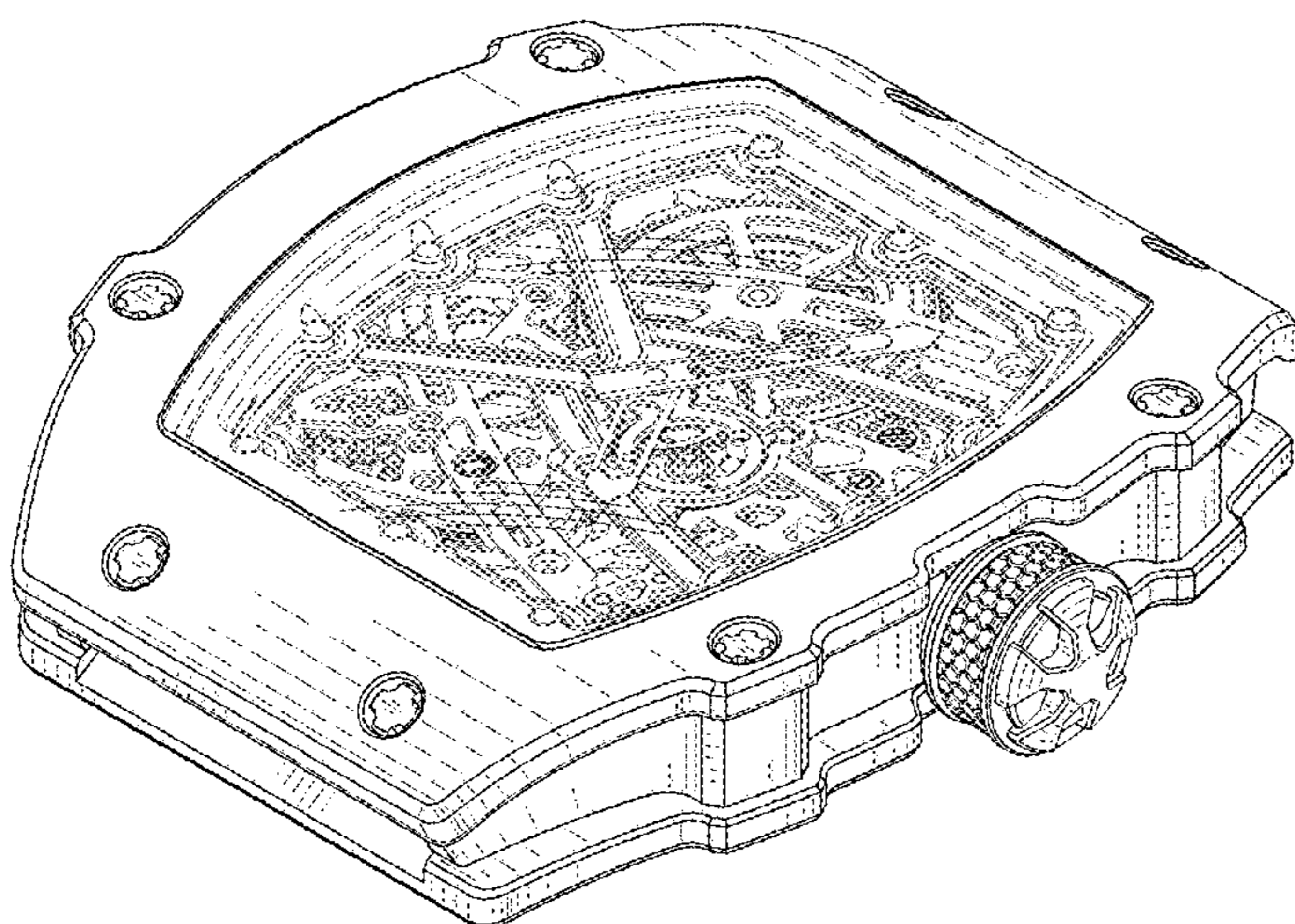
(57) **CLAIM**

The ornamental design for a watch, as shown.

**DESCRIPTION**

FIG. 1 is a front right perspective view of a watch showing my new design;  
FIG. 2 is a rear left perspective view thereof;  
FIG. 3 is a front view thereof;  
FIG. 4 is a rear view thereof;  
FIG. 5 is a left side view thereof;  
FIG. 6 is a right side view thereof;  
FIG. 7 is a top view thereof;  
FIG. 8 is a bottom view thereof;  
FIG. 9 is a front bottom perspective view thereof; and,  
FIG. 10 is a rear right perspective view thereof.

**1 Claim, 8 Drawing Sheets**



(56)

**References Cited**

U.S. PATENT DOCUMENTS

D737,693	S *	9/2015	Mille	.....	D10/39
D755,646	S *	5/2016	Mille	.....	D10/125
D790,991	S *	7/2017	Mille	.....	D10/30
D795,119	S *	8/2017	Kamilindi	.....	D10/126
D799,342	S *	10/2017	Mille	.....	D10/30
D799,987	S *	10/2017	Mille	.....	D10/30
2005/0201209	A1 *	9/2005	Golay	.....	G04B 17/285 368/127
2006/0181962	A1 *	8/2006	Besse	.....	G04B 17/285 368/127
2008/0013409	A1 *	1/2008	Bland	.....	G04B 45/0038 368/223
2010/0238769	A1 *	9/2010	Zaugg	.....	G04B 17/285 368/127

\* cited by examiner

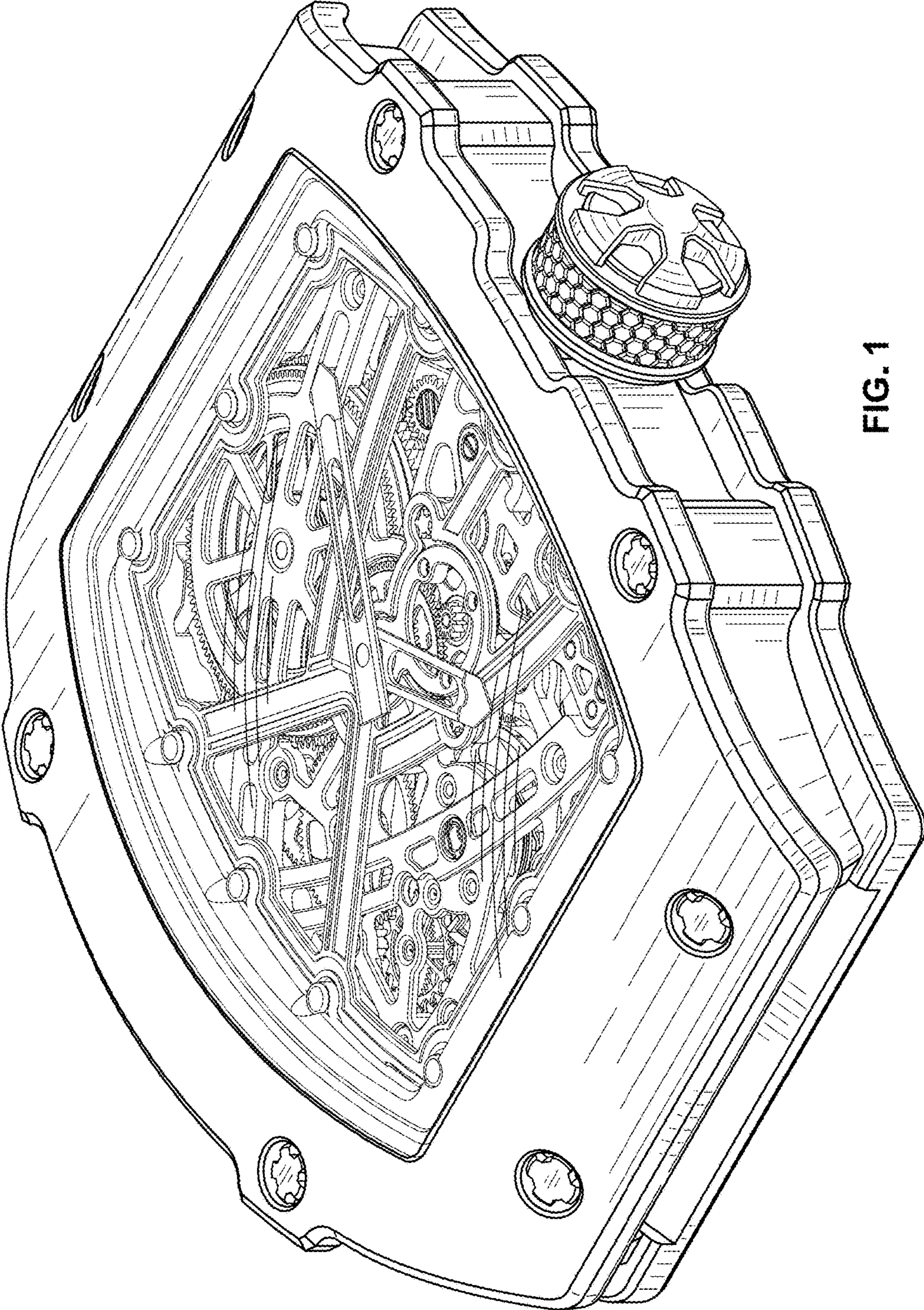


FIG. 1

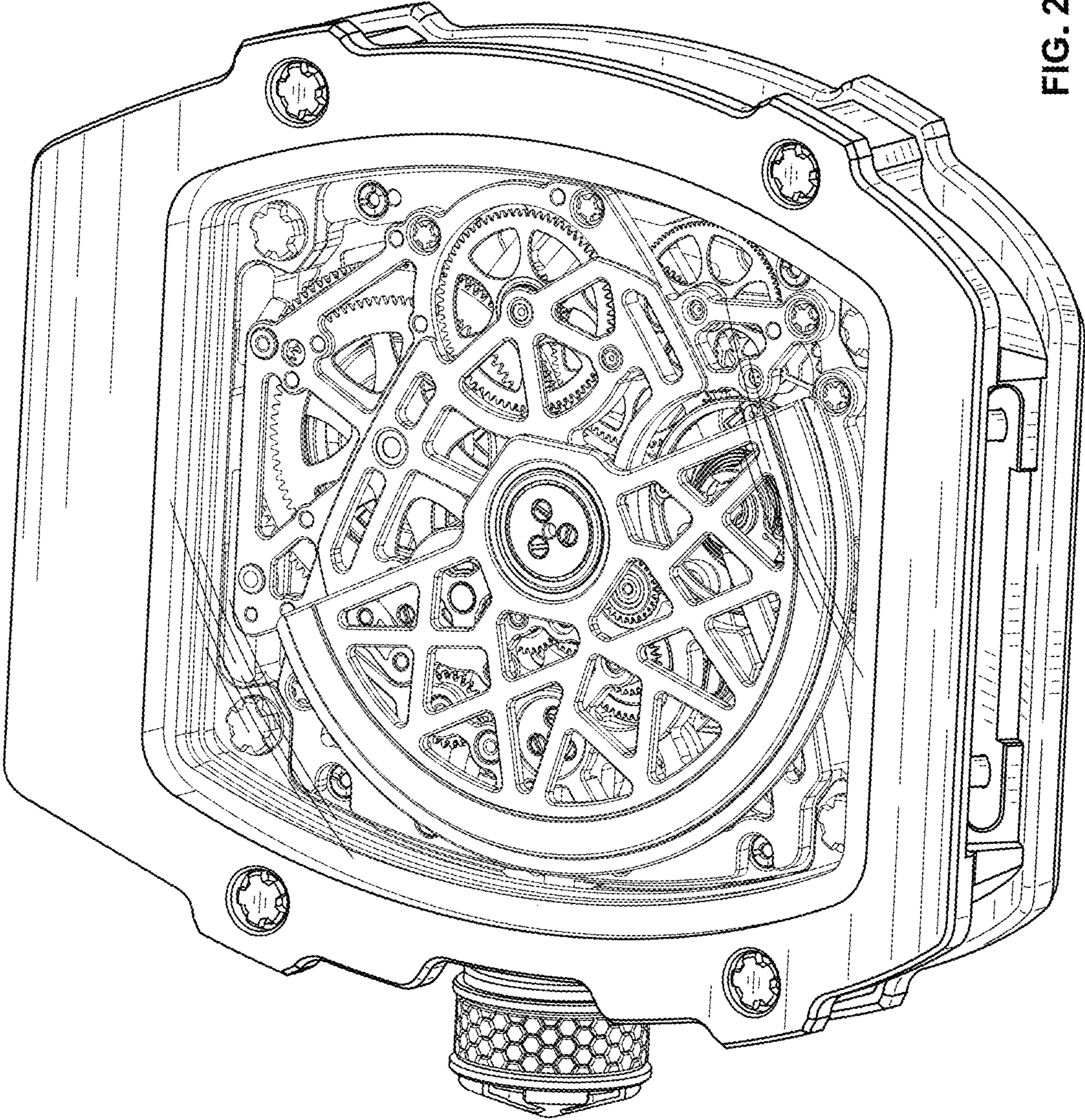


FIG. 2



FIG. 3



FIG. 4

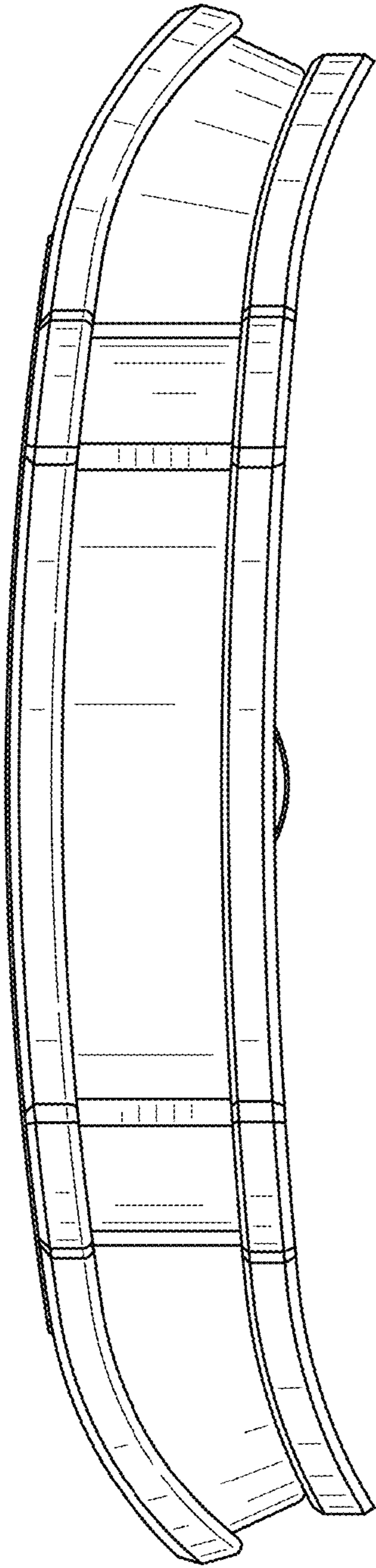


FIG. 5

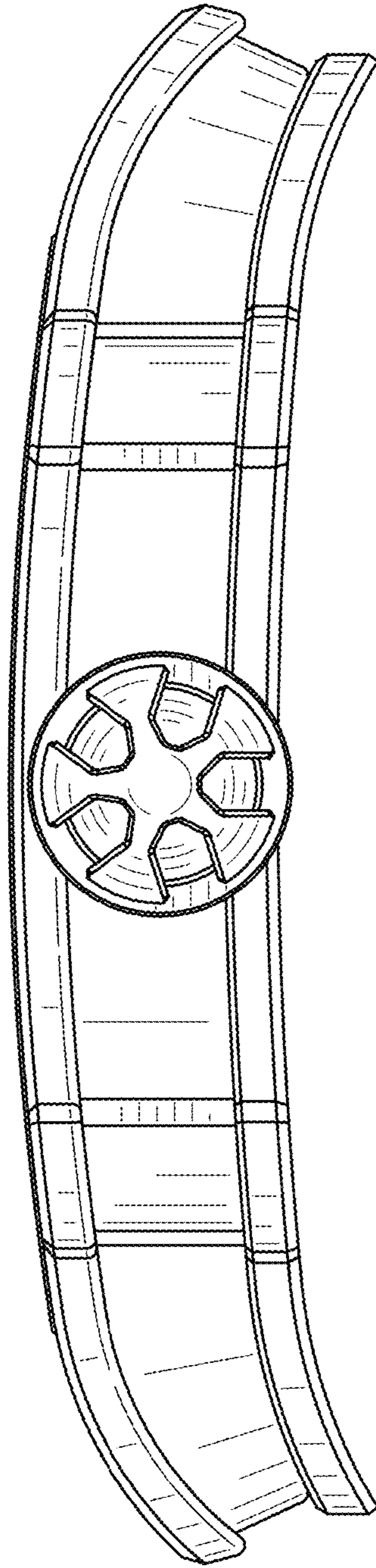


FIG. 6

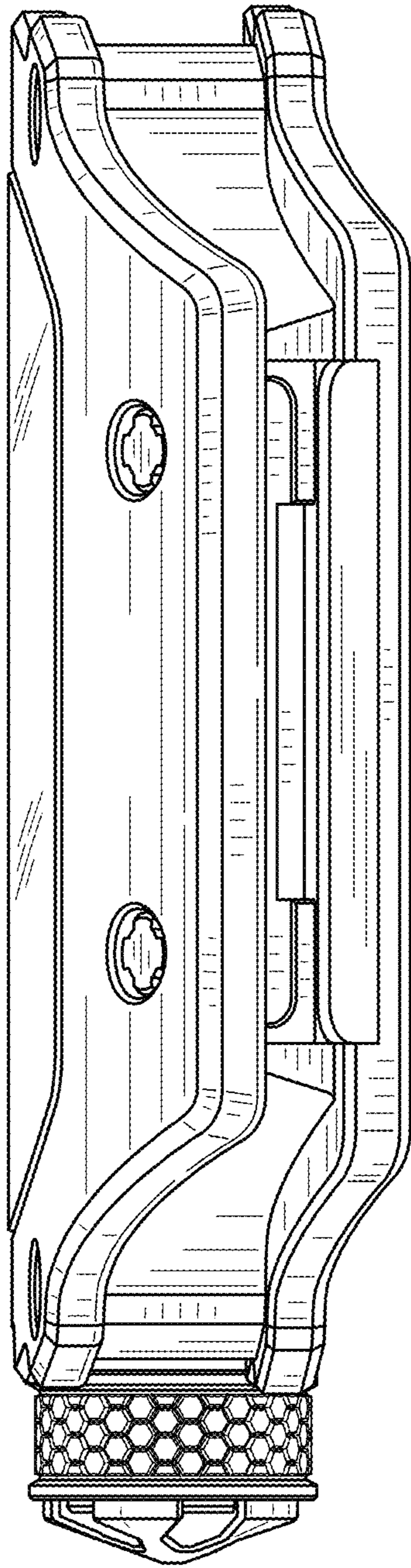


FIG. 7

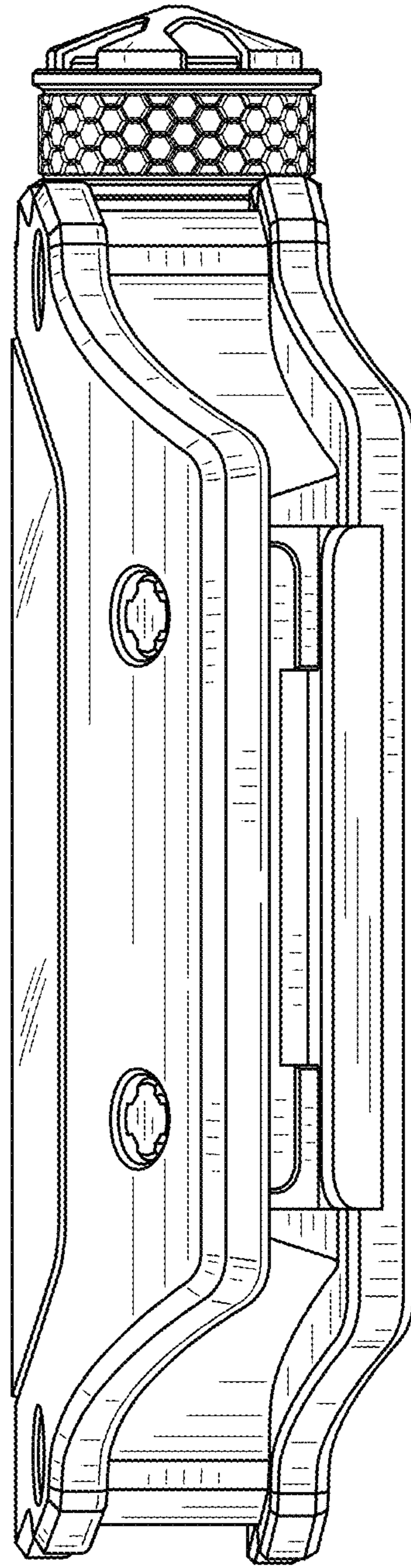


FIG. 8



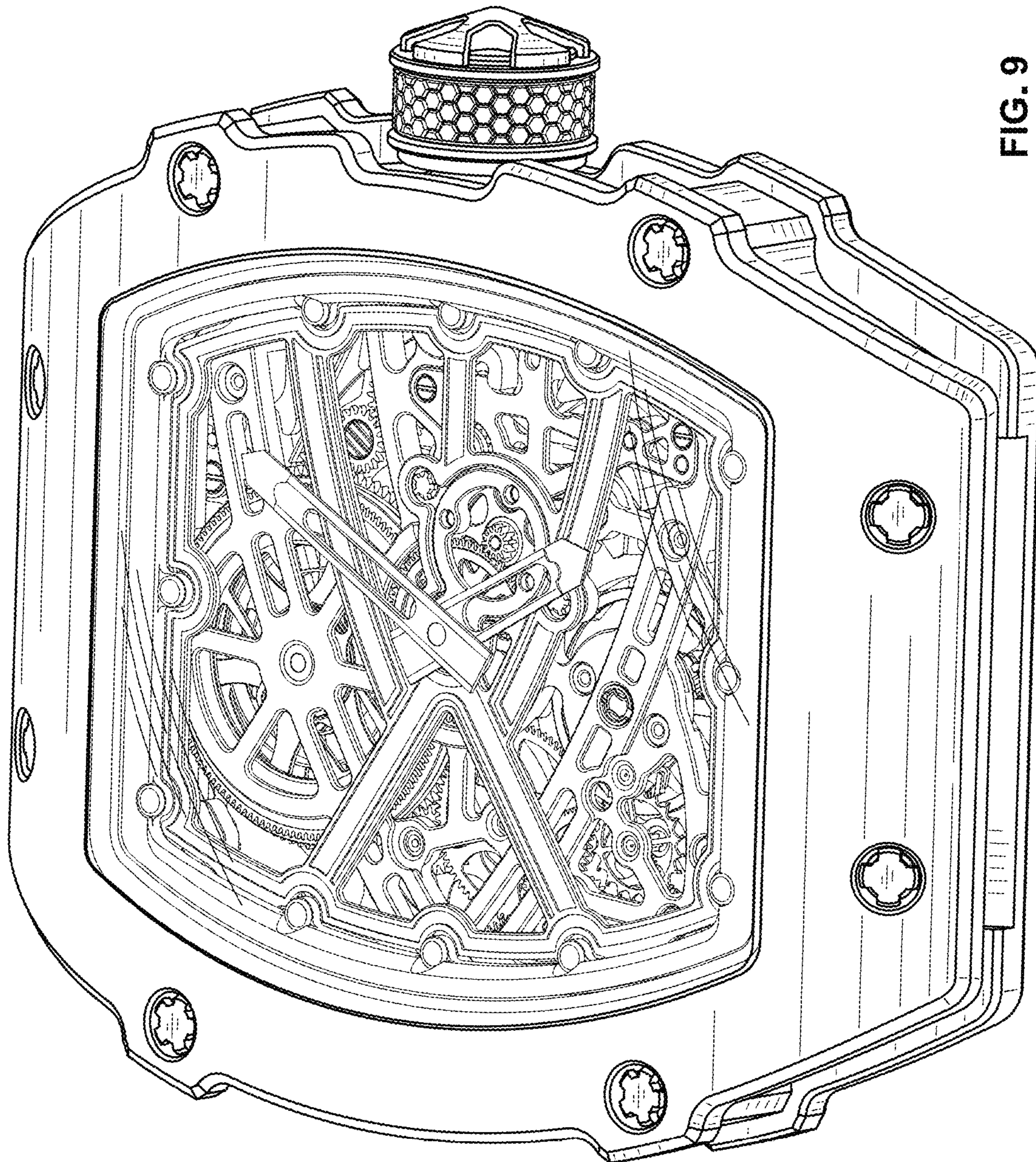


FIG. 9

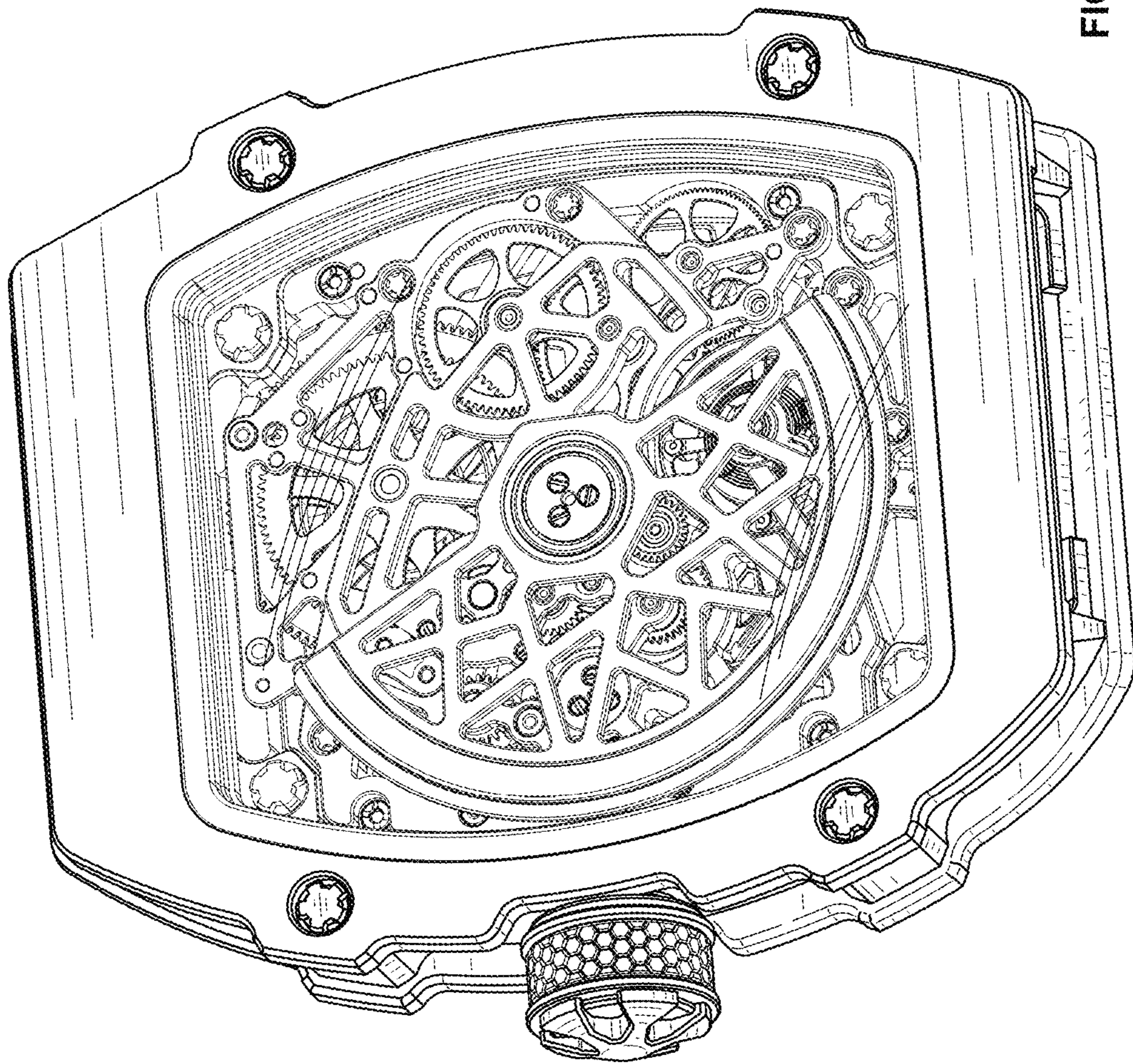


FIG. 10