



US00D823138S

(12) **United States Design Patent**
Mille

(10) **Patent No.:** **US D823,138 S**

(45) **Date of Patent:** **** Jul. 17, 2018**

(54) **WRISTWATCH**

(71) Applicant: **Turlen Holding SA**, Les Breuleux (CH)

(72) Inventor: **Richard Mille**, Moulins (FR)

(73) Assignee: **TURLEN HOLDING SA**, Les Breuleux (CH)

(**) Term: **15 Years**

(21) Appl. No.: **29/592,506**

(22) Filed: **Jan. 31, 2017**

(30) **Foreign Application Priority Data**

Nov. 18, 2016 (WO) DM/093544

(51) **LOC (11) Cl.** **10-02**

(52) **U.S. Cl.**
USPC **D10/39**

(58) **Field of Classification Search**
USPC D10/1-3, 6, 14-16, 23, 30-39, 41, 65,
D10/70; D11/3, 14, 31, 52; D14/171,
D14/344; D24/167, 186; D6/308, 310
See application file for complete search history.

(56) **References Cited**

U.S. PATENT DOCUMENTS

D456,274 S *	4/2002	Mille	D10/30
D570,710 S *	6/2008	Wong	D10/30
D606,888 S *	12/2009	Mille	D10/38
D616,312 S *	5/2010	Ellia	D10/39
D617,211 S *	6/2010	Grimoldi	D10/38
D624,439 S *	9/2010	Wunderman	D10/32
D636,692 S *	4/2011	Pospieszny	D10/129
D658,515 S *	5/2012	Mille	D10/39
D660,184 S *	5/2012	Calce	D10/32
D663,220 S *	7/2012	Mouclier	D10/1
D664,047 S *	7/2012	Mille	D10/39

D664,048 S *	7/2012	Mille	D10/39
D673,868 S *	1/2013	Mille	D10/39
D680,885 S *	4/2013	Mille	D10/38
D692,323 S *	10/2013	Mille	D10/39
D701,465 S *	3/2014	Ganz	D10/38
D708,077 S *	7/2014	Mille	D10/31
D710,216 S *	8/2014	Mille	D10/38
D713,743 S *	9/2014	Mille	D10/39

(Continued)

OTHER PUBLICATIONS

Richard Mille RM 50-03 | posted at Hodinkee.com Jan. 17, 2017 © 2009-2018, Hodinkee Inc [online][site visited Apr. 11, 2018]. Available from internet: <<https://www.hodinkee.com/articles/richard-mille-rm-50-03-tourbillon-split-seconds-chronograph-ultralight-mclaren-f1-introducing>> (Year: 2017).*

(Continued)

Primary Examiner — Sandra S Snapp

Assistant Examiner — Katherine Glennon

(74) *Attorney, Agent, or Firm* — Donald J. Ranft; Collen

(57) **CLAIM**

The ornamental design for a wristwatch, as shown.

DESCRIPTION

FIG. 1 is a front right perspective view of a wristwatch showing my new design;

FIG. 2 is a rear left perspective view thereof;

FIG. 3 is a front view thereof;

FIG. 4 is a rear view thereof;

FIG. 5 is a left side view thereof;

FIG. 6 is a right side view thereof;

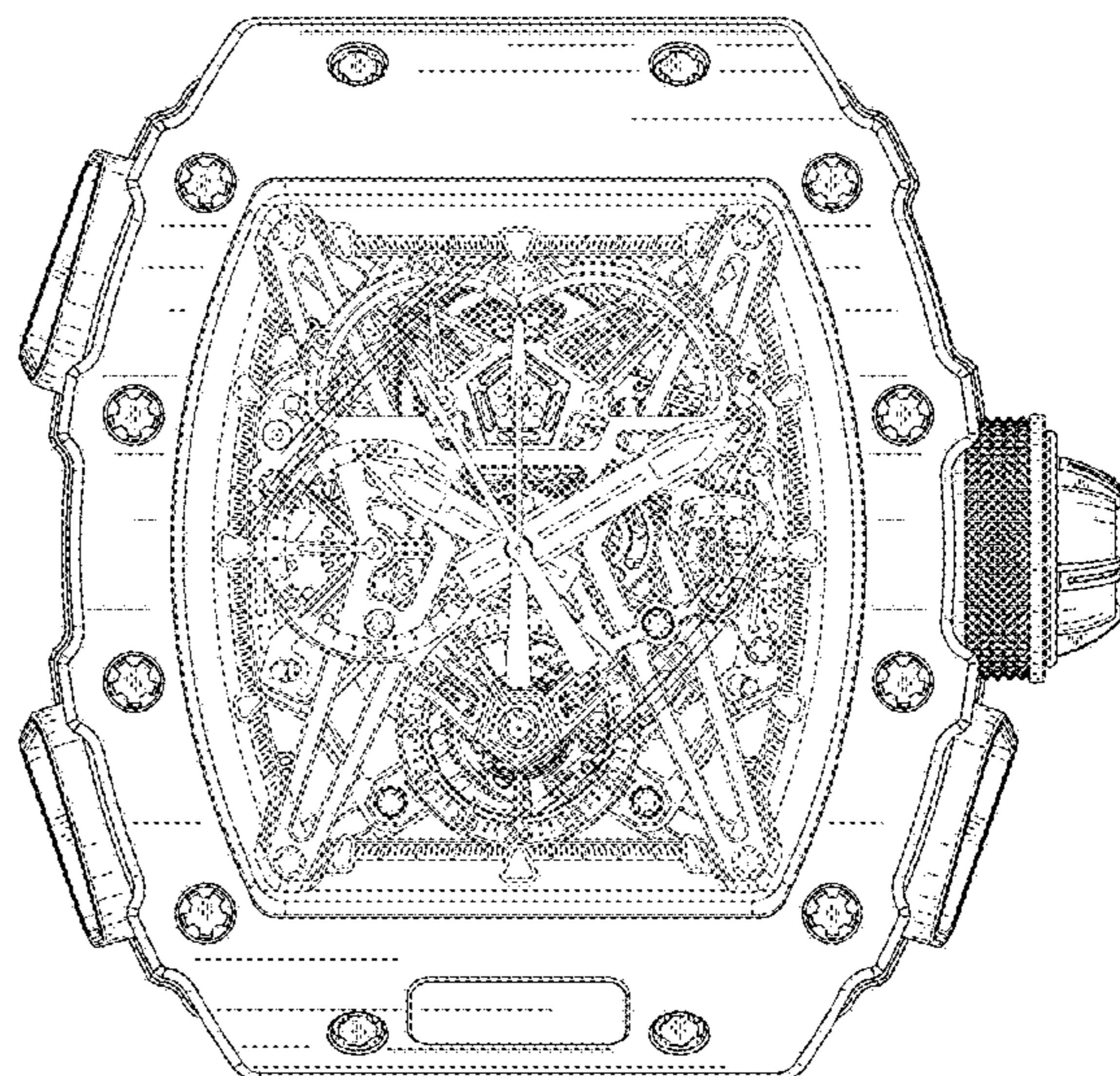
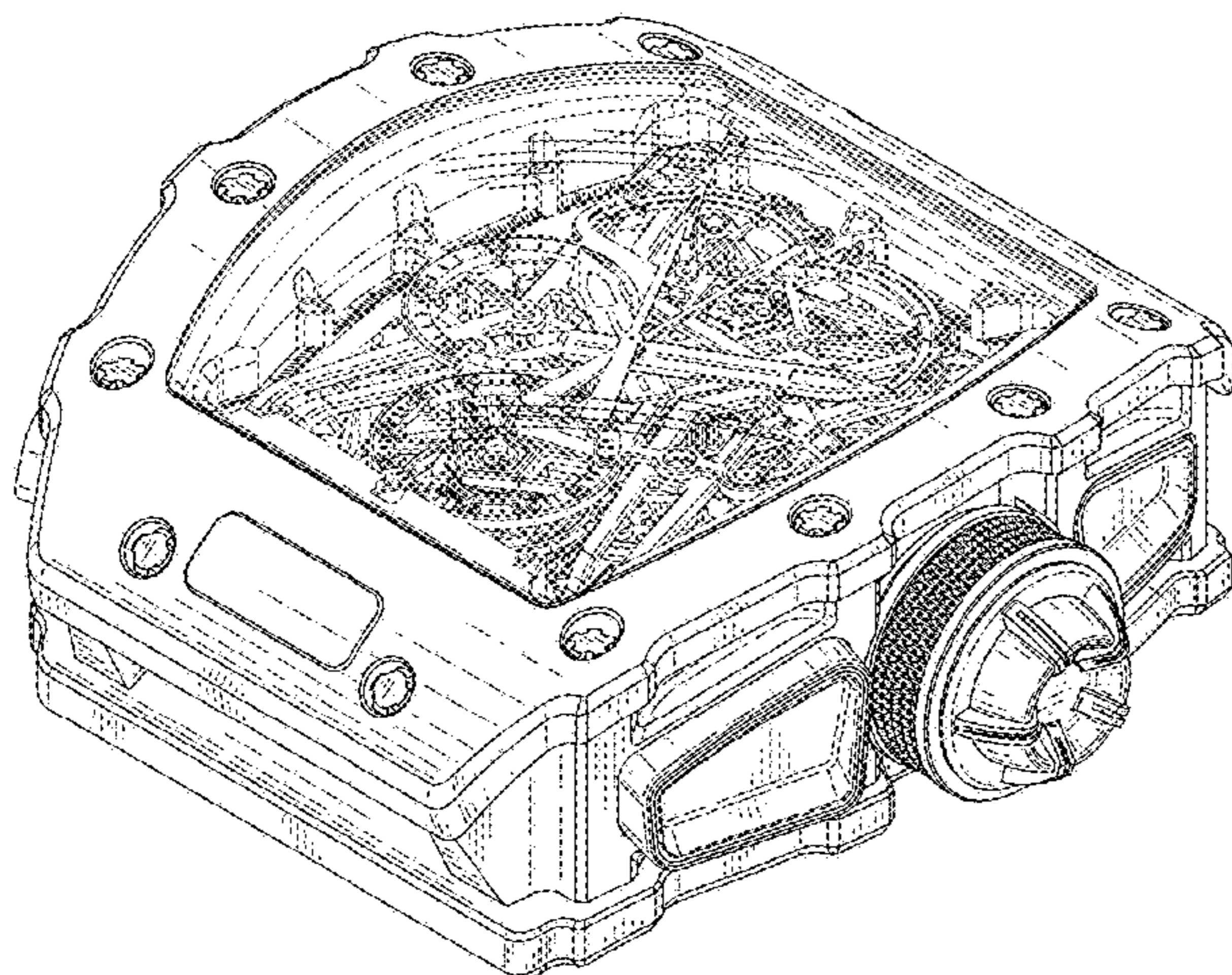
FIG. 7 is a top view thereof;

FIG. 8 is a bottom view thereof;

FIG. 9 is a front left perspective view thereof; and,

FIG. 10 is a rear right perspective view thereof.

1 Claim, 8 Drawing Sheets



(56)

References Cited

U.S. PATENT DOCUMENTS

D715,164 S * 10/2014 Tedeschi D10/128
8,956,041 B2 * 2/2015 Forsey G04B 17/285
368/127
D731,903 S * 6/2015 Mille D10/125
D755,646 S * 5/2016 Mille D10/125
D773,942 S * 12/2016 Kweton D10/38
D789,806 S * 6/2017 Mille D10/30
D789,807 S * 6/2017 Mille D10/30
2005/0201209 A1 * 9/2005 Golay G04B 17/285
368/127
2006/0181962 A1 * 8/2006 Besse G04B 17/285
368/127
2010/0238769 A1 * 9/2010 Zaugg G04B 17/285
368/127

OTHER PUBLICATIONS

Richard Mille RM 50-03 Tourbillon | posted at richardmille.com
Jan. 17, 2017 © Copyright Richard Mille 2018 [online][site visited
Apr. 11, 2018]. Available from Internet: <<https://www.richardmille.com/en/collections/rm-50-03/>> (Year: 2017).*

* cited by examiner

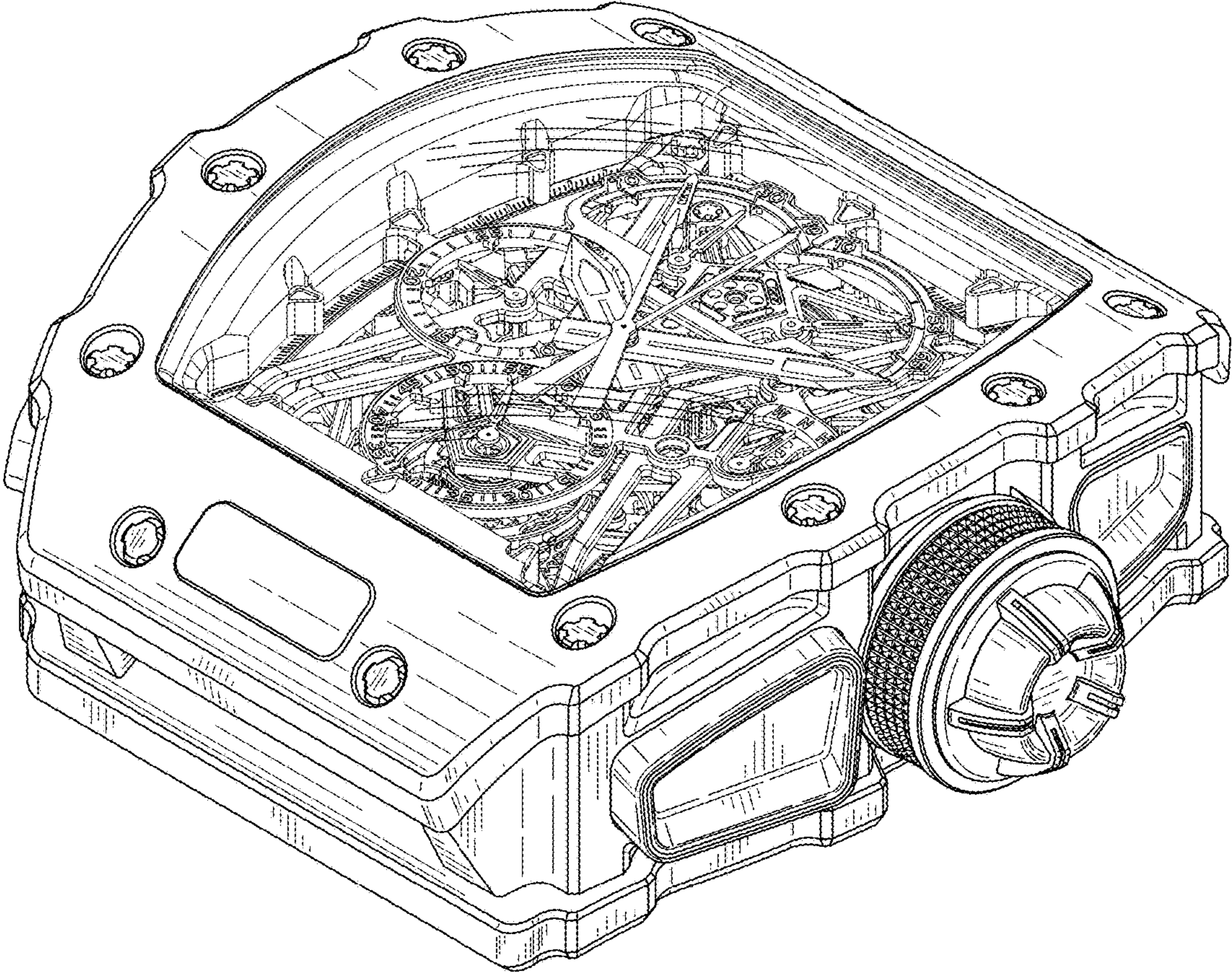


FIG. 1

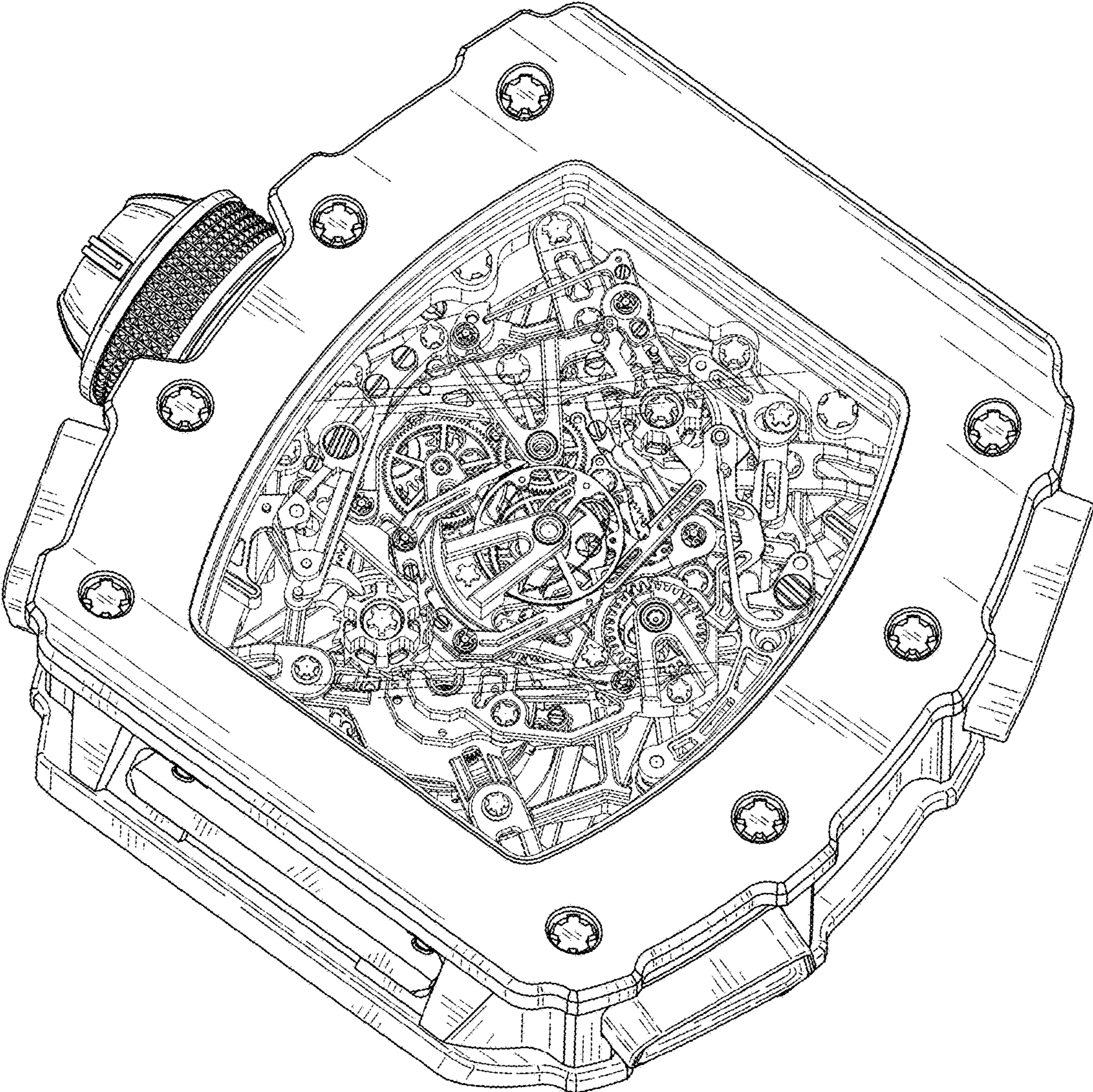


FIG. 2

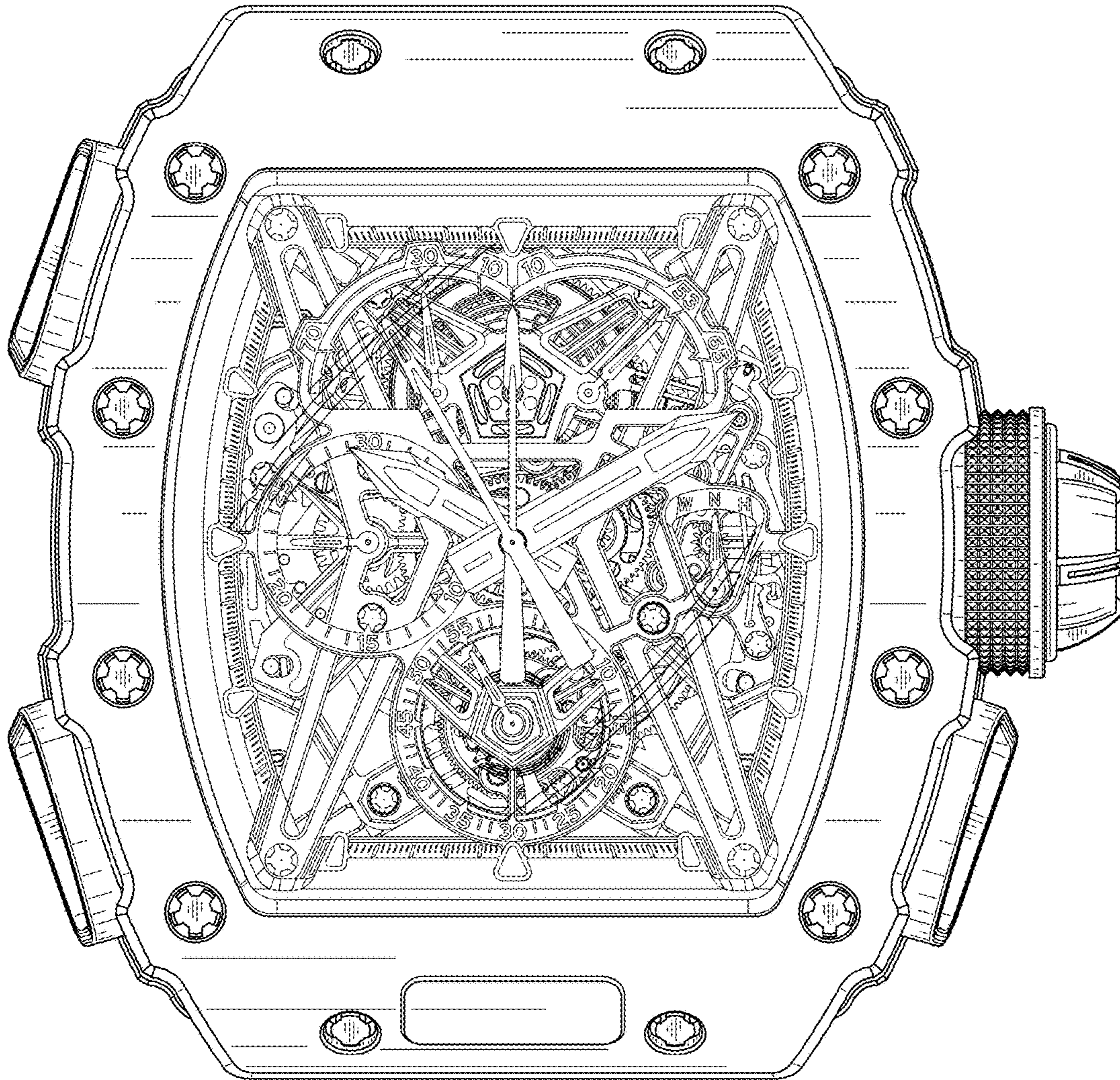


FIG. 3

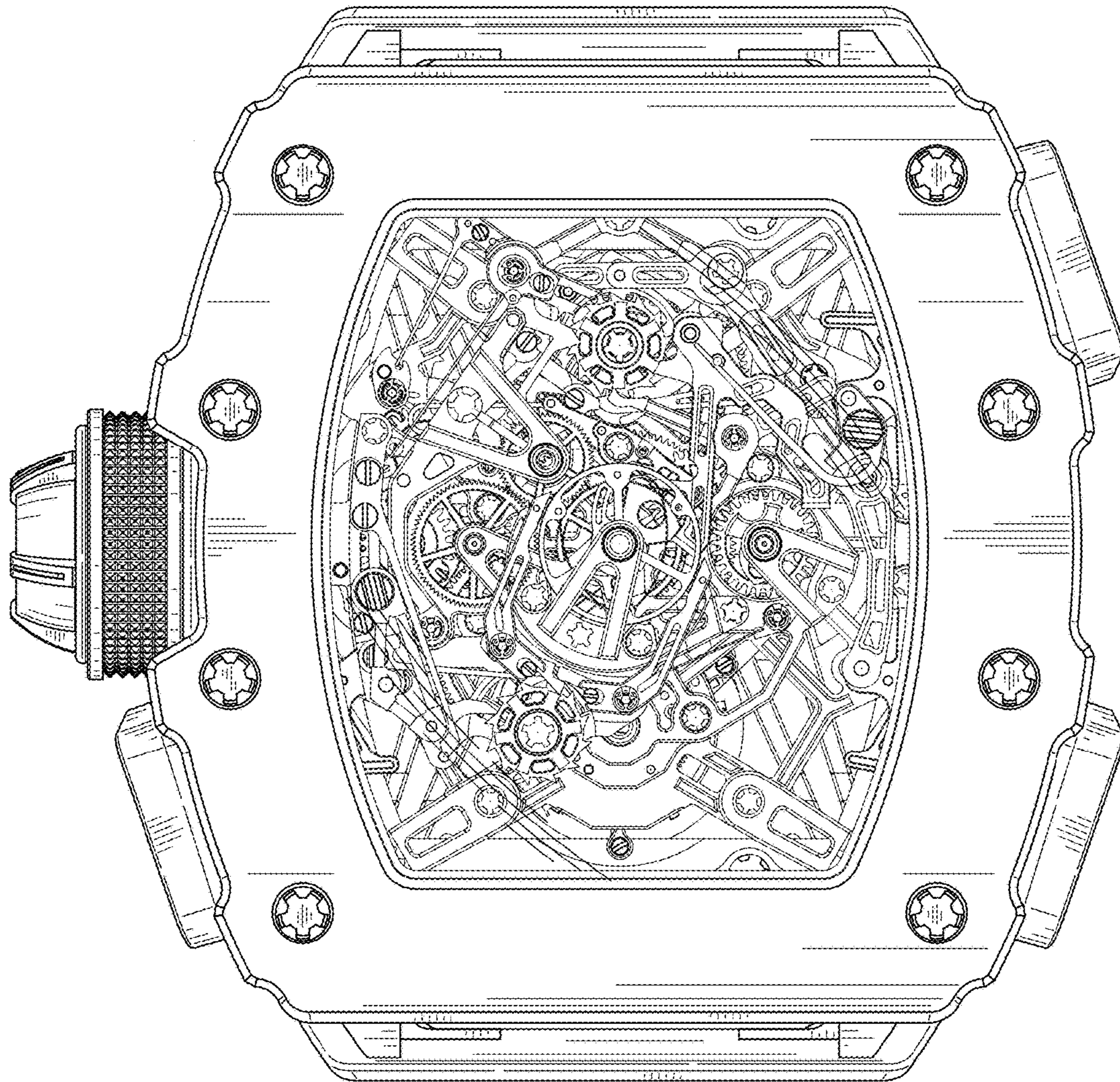


FIG. 4

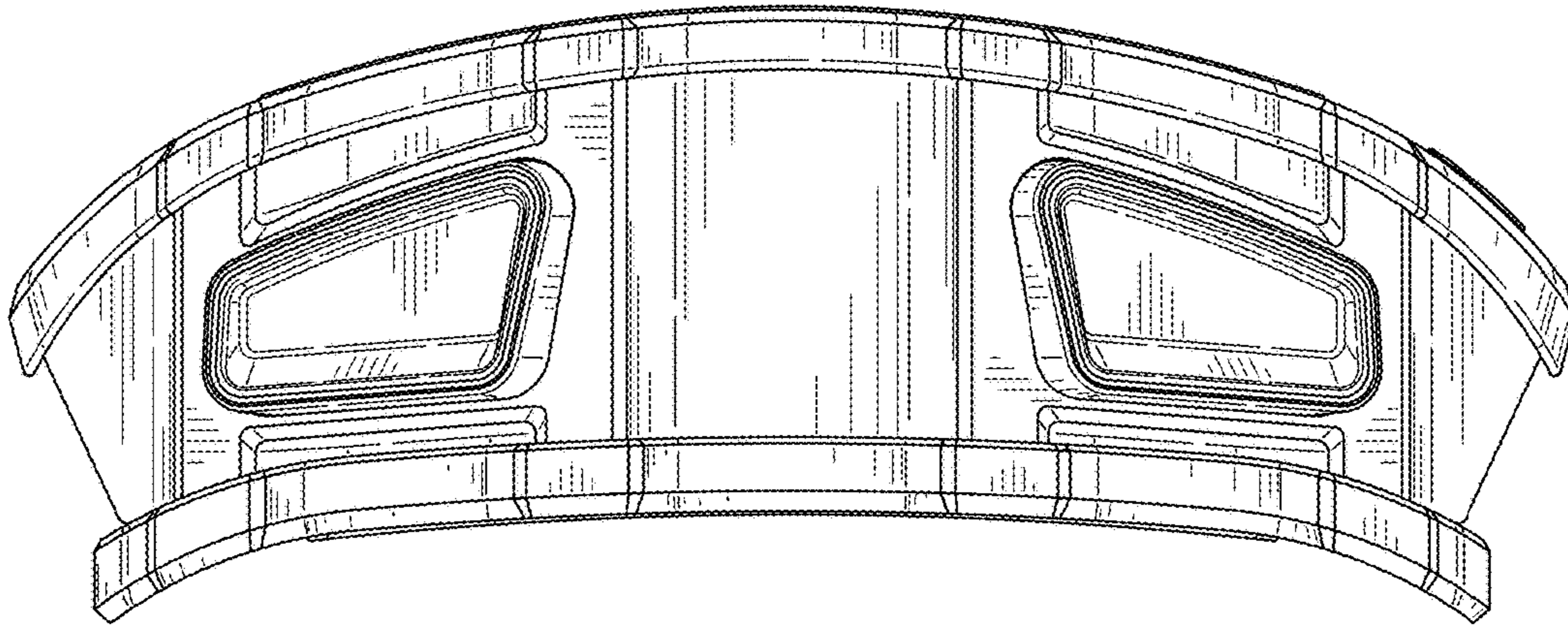


FIG. 5

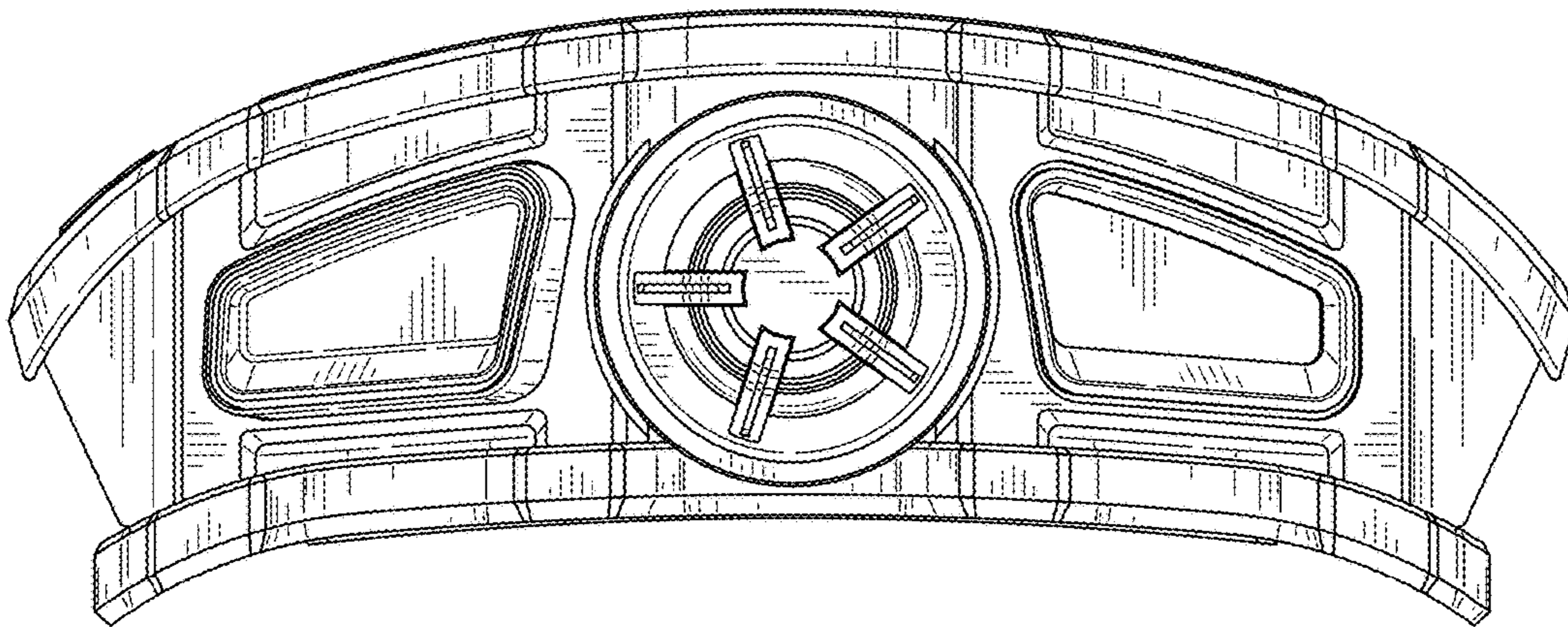


FIG. 6

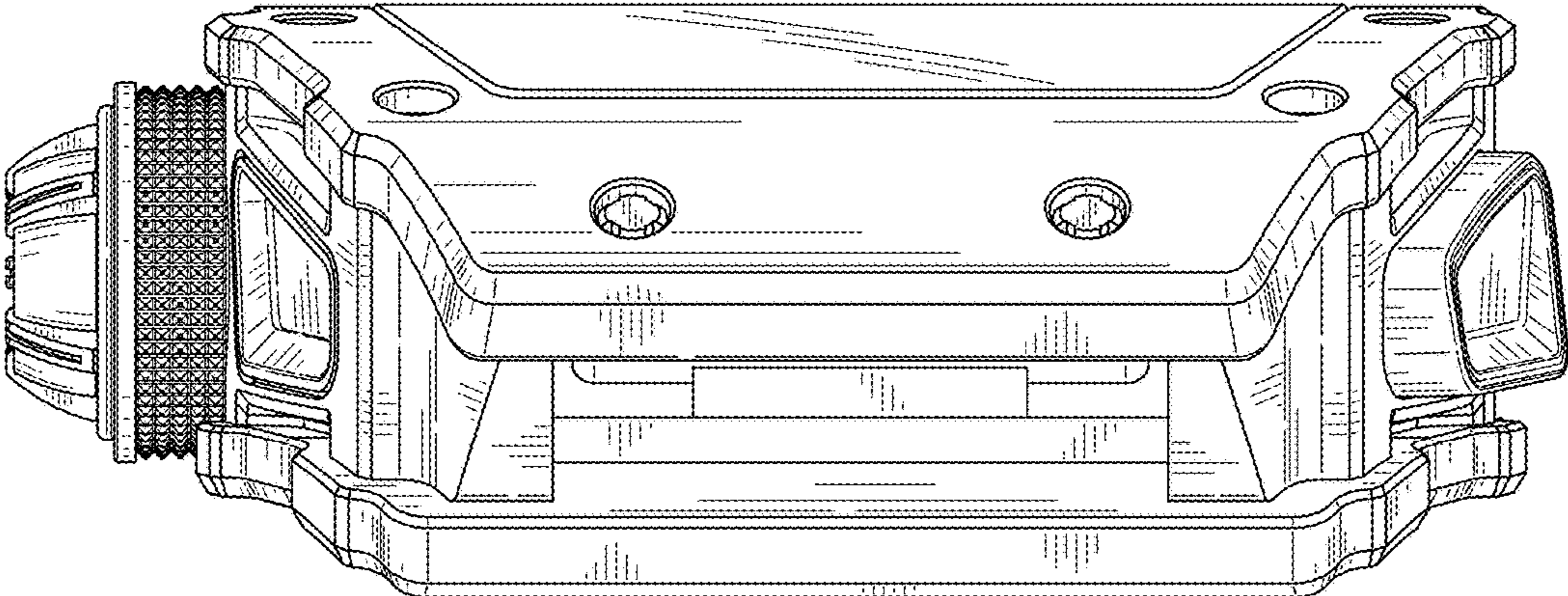


FIG. 7

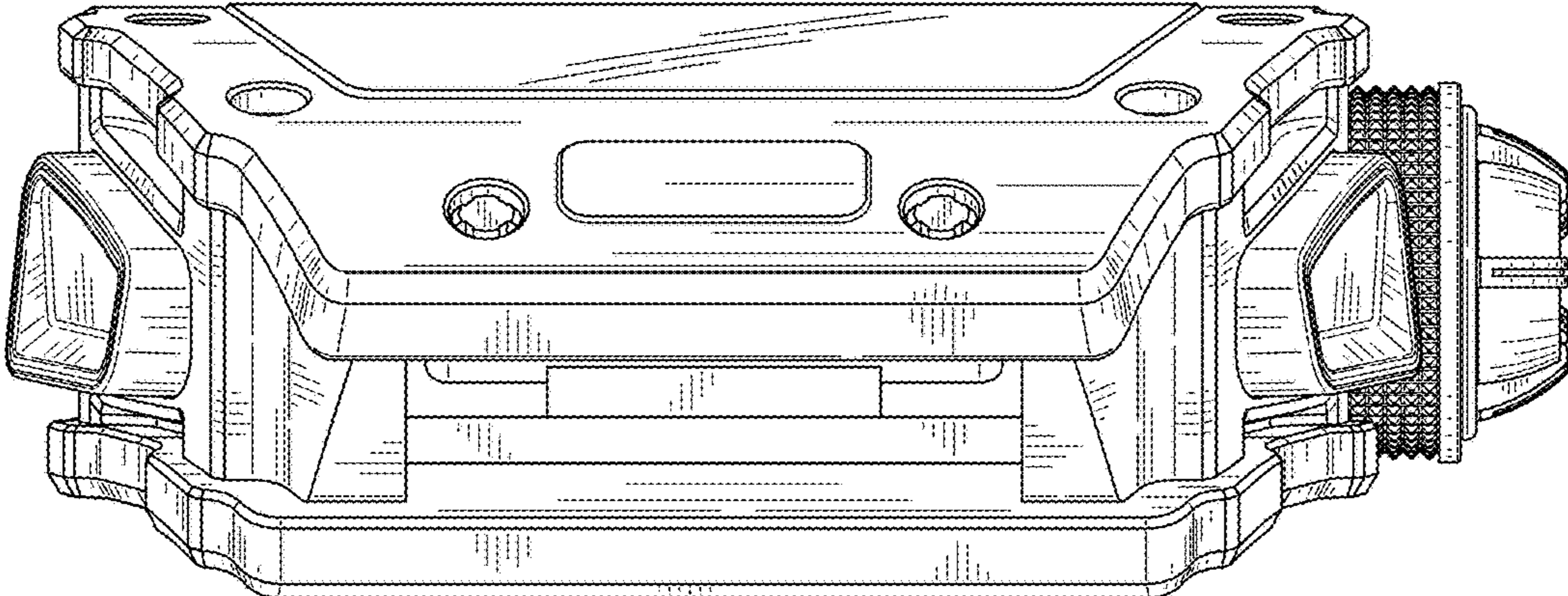


FIG. 8

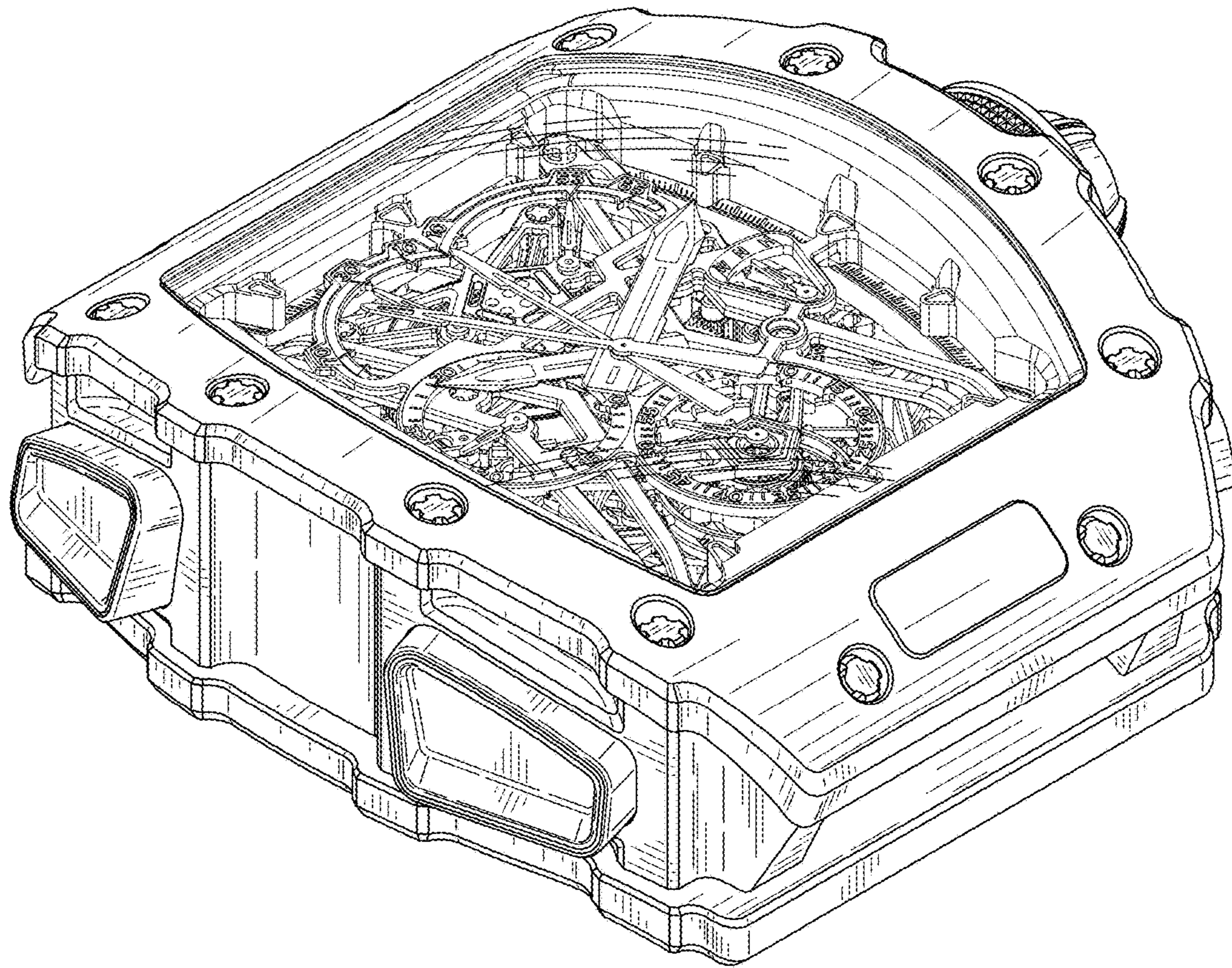


FIG. 9

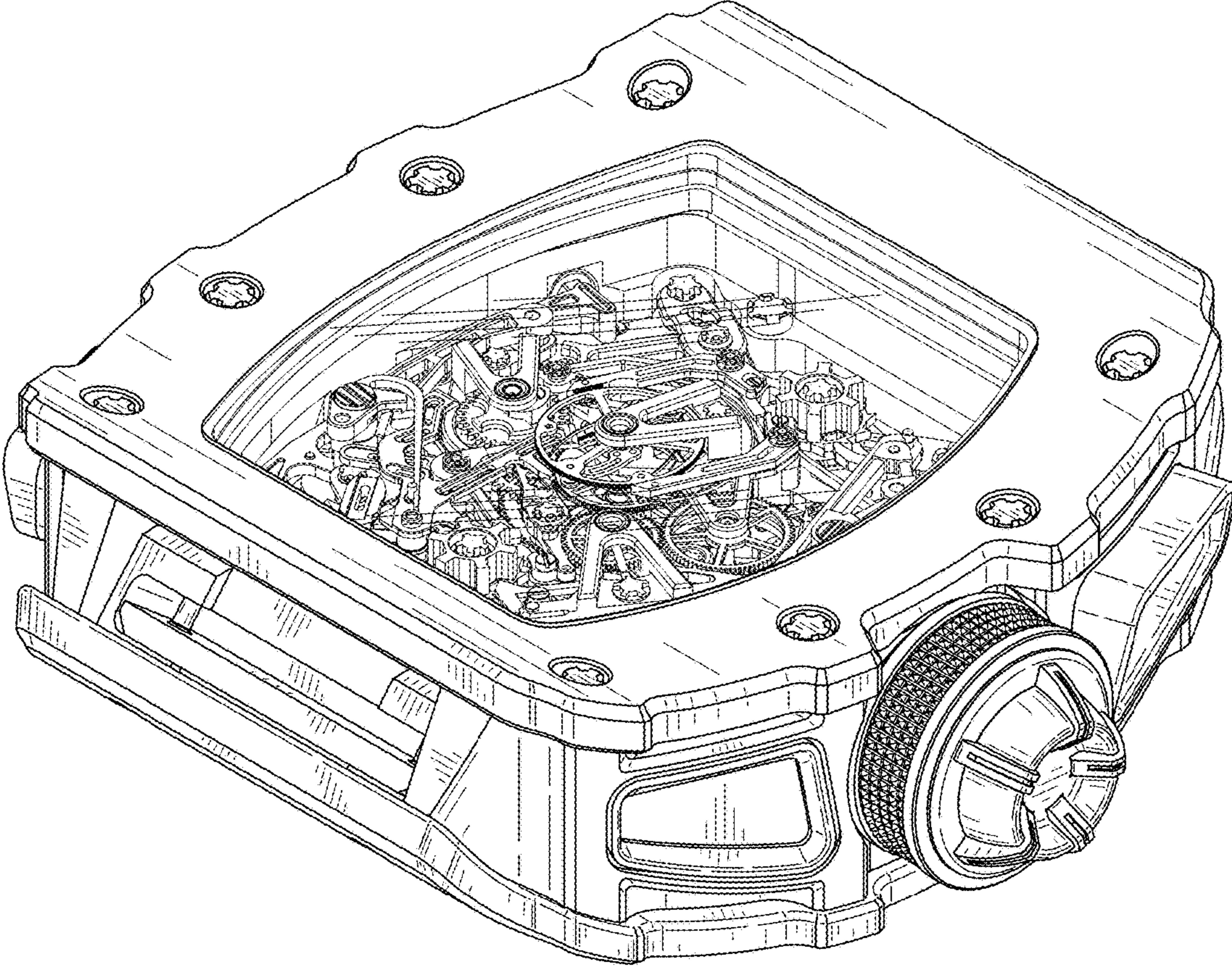


FIG. 10