

US00D823134S

(12) **United States Design Patent**
O'Neill

(10) **Patent No.:** **US D823,134 S**

(45) **Date of Patent:** **** Jul. 17, 2018**

(54) **PACKAGING**

(71) Applicant: **SUGARFINA, INC.**, Inglewood, CA
(US)

(72) Inventor: **Rosie Colleen O'Neill**, Inglewood, CA
(US)

(73) Assignee: **SUGARFINA, INC.**, Inglewood, CA
(US)

(**) Term: **15 Years**

(21) Appl. No.: **29/609,546**

(22) Filed: **Jun. 30, 2017**

(51) **LOC (11) Cl.** **09-03**

(52) **U.S. Cl.**
USPC **D9/759**

(58) **Field of Classification Search**
USPC D9/414, 430, 432, 715, 721, 737, 756,
D9/759, 761; D3/201, 205, 206, 273,
(Continued)

(56) **References Cited**

U.S. PATENT DOCUMENTS

228,158 A 5/1880 Woods
D36,435 S 7/1903 Daggett
(Continued)

OTHER PUBLICATIONS

Sweitzer Candy Gift Box 8, available Feb. 21, 2015, [online], [site visited Aug. 2, 2017]. Available from internet, <URL: <https://web.archive.org/web/20150221225755/https://sweitzercandy.com/index.php/gift-boxes.html>>.*

(Continued)

Primary Examiner — Cathron C Brooks

Assistant Examiner — W. A. Teddy Falloway

(74) *Attorney, Agent, or Firm* — Troutman Sanders LLP;
Alexis N. Simpson

(57) **CLAIM**

The ornamental design for a packaging, as shown and described.

DESCRIPTION

FIG. 1 is a perspective view of a packaging showing my new design.

FIG. 2 is a left view thereof.

FIG. 3 is a right view thereof.

FIG. 4 is a front view thereof.

FIG. 5 is a rear view thereof.

FIG. 6 is a top view thereof.

FIG. 7 is a bottom view thereof.

FIG. 8 is a perspective view thereof, shown without the top for clarity of illustration.

FIG. 9 is a left view thereof, shown without the top for clarity of illustration.

FIG. 10 is a right view thereof, shown without the top for clarity of illustration.

FIG. 11 is a front view thereof, shown without the top for clarity of illustration.

FIG. 12 is a rear view thereof, shown without the top for clarity of illustration.

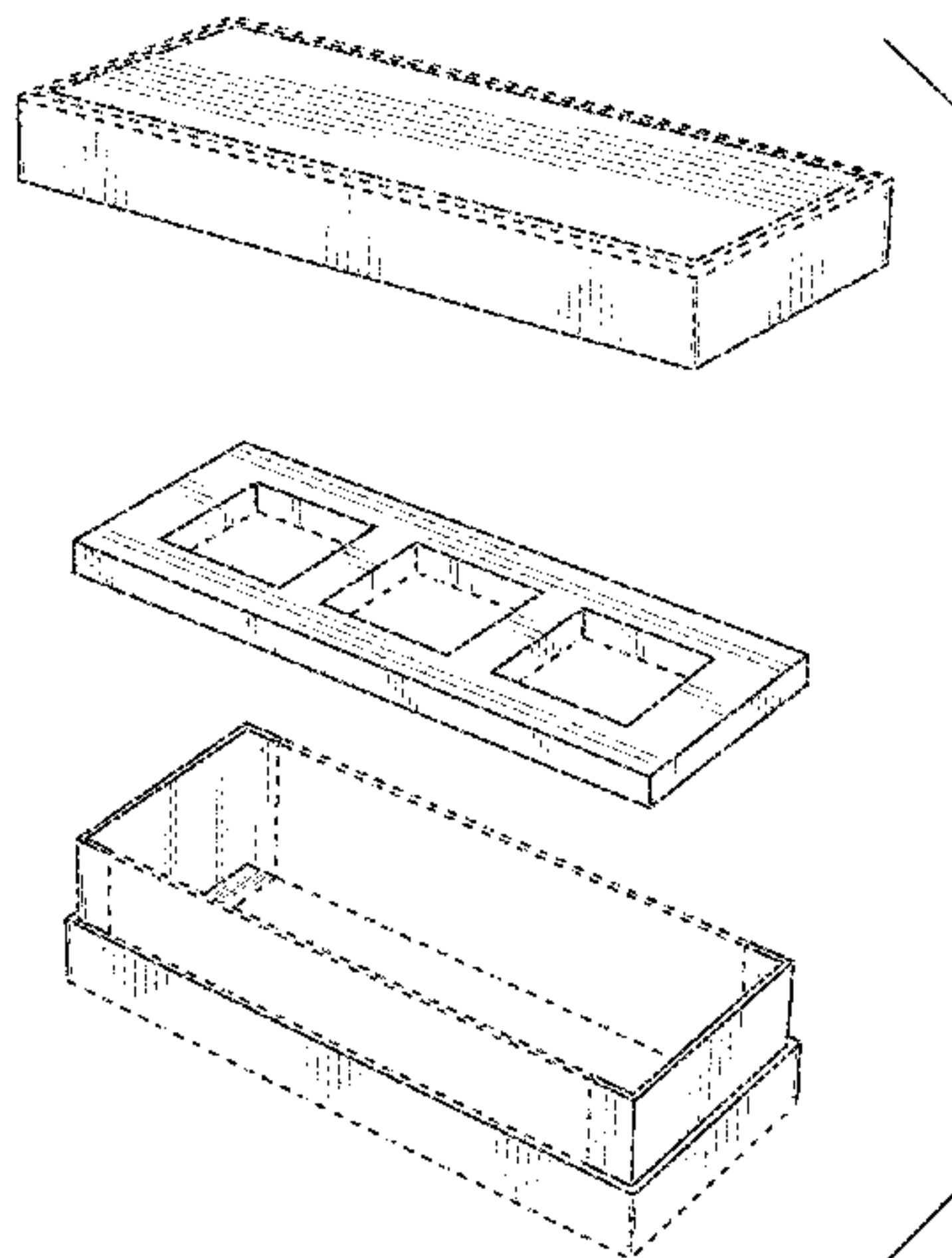
FIG. 13 is a top view thereof, shown without the top for clarity of illustration.

FIG. 14 is a bottom view thereof, shown without the top for clarity of illustration; and,

FIG. 15 is an exploded perspective view of the packaging showing my new design.

The broken lines shown represent unclaimed subject matter and form no part of the claimed design. The shade lines shown represent surface shading and not surface ornamentation, color, or material type. The long-dash short-dash lines show an unclaimed boundary that forms no part of the claimed design. The space between the long-dash short-dash lines and broken lines also forms no part of the claimed design.

1 Claim, 15 Drawing Sheets



US D823,134 S

(58) **Field of Classification Search**

USPC D3/274, 283, 302, 313, 319, 901;
 D7/701, 703, 708, 629; 206/214, 215,
 206/224, 318, 424, 425, 515, 518, 525,
 206/575, 751-756, 758, 763, 765;
 229/103, 116.1, 120.02, 120.07, 120.33,
 229/124, 125.01, 125.08, 125.125;
 D28/83
 CPC B65D 2543/00194; B65D 2543/00361;
 B65D 5/5038; B65D 5/4204; B65D
 5/5021; B65D 5/4208; B65D 85/1045;
 B65D 5/5035; B65D 5/5213; B65D 5/22;
 B65D 5/38; B65D 2519/00273; B65D
 5/42; B65D 2519/00323; B65D 5/5028;
 B65D 5/5253; B65D 25/04; B65D
 5/5016; B65D 5/68; B65D 85/00; B65D
 2543/00296; B65D 2519/00711; B65D
 2519/00034; B65D 2519/00069; B65D
 81/368; B65D 21/233; B65D 1/00; B65D
 1/225; B65D 5/002; B65D 5/4291; Y10S
 206/804; Y10S 206/82; A47F 5/11

See application file for complete search history.

| | | | |
|----------------|---------|-----------------------|---------------------------|
| D344,020 S | 2/1994 | Pavely | |
| 5,375,706 A * | 12/1994 | Perez | G11B 33/0438 206/308.1 |
| D361,508 S * | 8/1995 | Schnack | D9/425 |
| D361,661 S | 8/1995 | Masuda | |
| D373,723 S | 9/1996 | Healey | |
| 5,555,982 A | 9/1996 | Kuhn et al. | |
| 5,590,786 A * | 1/1997 | Jaycox | B65D 5/5038 206/431 |
| 5,603,558 A | 2/1997 | Zimmer | |
| D380,417 S | 7/1997 | Hardy | |
| D380,926 S * | 7/1997 | Goodburn | D6/632 |
| 5,682,999 A | 11/1997 | Larson | |
| 5,791,468 A | 8/1998 | House | |
| 5,817,510 A * | 10/1998 | Pandey | B01L 3/5025 422/419 |
| D411,308 S * | 6/1999 | Pandey | D24/216 |
| D424,296 S | 5/2000 | David | |
| D424,425 S | 5/2000 | Ngai | |
| D426,902 S | 6/2000 | Hardy et al. | |
| D433,630 S | 11/2000 | Lubineau-Bigot et al. | |
| 6,349,820 B1 | 2/2002 | Kelley et al. | |
| D455,073 S | 4/2002 | Mizrahi | |
| D464,568 S | 10/2002 | Sisinni | |
| D464,885 S | 10/2002 | Weinstein et al. | |
| D468,100 S | 1/2003 | Bowling | |
| 6,533,166 B1 | 3/2003 | Kaiss | |
| D477,911 S | 8/2003 | Stuart | |
| D492,194 S | 6/2004 | Kim | |
| D494,862 S | 8/2004 | Sisinni | |
| 6,923,556 B1 | 8/2005 | Baker, III | |
| D510,528 S | 10/2005 | Funk | |
| D511,681 S | 11/2005 | Cogley et al. | |
| D521,733 S | 5/2006 | Kim | |
| D522,376 S * | 6/2006 | Hales | D7/613 |
| D528,794 S * | 9/2006 | Lanham | D3/294 |
| D529,378 S | 10/2006 | Spencer et al. | |
| D536,246 S | 2/2007 | Schneider | |
| 7,264,123 B2 | 9/2007 | Reed | |
| D553,495 S | 10/2007 | Vandecasteele et al. | |
| D568,765 S | 5/2008 | Miles | |
| D580,263 S | 11/2008 | Yi | |
| D584,053 S | 1/2009 | Abdo et al. | |
| D596,485 S | 7/2009 | Andre et al. | |
| D603,720 S | 11/2009 | Cesare et al. | |
| D609,116 S | 2/2010 | Kim | |
| 7,757,843 B2 | 7/2010 | Katsis | |
| D621,548 S * | 8/2010 | Chen | D28/83 |
| D643,306 S | 8/2011 | Martinez et al. | |
| 8,006,842 B1 * | 8/2011 | Loughlin, Jr. | B65D 1/36 206/449 |
| D646,984 S * | 10/2011 | Moore | D9/737 |
| 8,109,389 B1 * | 2/2012 | Amer | B65D 5/5038 206/499 |
| D657,284 S | 4/2012 | Young | |
| D663,520 S | 7/2012 | Antler | |
| D664,312 S | 7/2012 | Bizzle | |
| 8,272,509 B1 | 9/2012 | McCutchen | |
| D669,352 S | 10/2012 | Paslawski | |
| D670,931 S * | 11/2012 | Tapper | D6/672 |
| D670,932 S * | 11/2012 | Tapper | D6/672 |
| D673,864 S | 1/2013 | Read et al. | |
| D675,539 S | 2/2013 | Biglarians | |
| D682,119 S | 5/2013 | Buford | |
| D685,578 S | 7/2013 | Pestell | |
| D686,065 S * | 7/2013 | Kuo | D9/432 |
| D686,491 S * | 7/2013 | Kuo | D9/432 |
| D687,321 S | 8/2013 | Pralus | |
| D690,554 S | 10/2013 | Presley | |
| D691,465 S * | 10/2013 | O'Brien | D9/418 |
| D691,900 S | 10/2013 | Kraus | |
| D698,639 S | 2/2014 | Fletcher et al. | |
| D698,664 S | 2/2014 | Abbott | |
| D700,462 S | 3/2014 | Boos | |
| D704,550 S | 5/2014 | Mattila et al. | |
| D706,627 S | 6/2014 | Olsson et al. | |
| D709,305 S * | 7/2014 | Tapper | D6/672 |
| D709,306 S * | 7/2014 | Tapper | D6/672 |
| D709,364 S | 7/2014 | Olsson et al. | |

(56)

References Cited

U.S. PATENT DOCUMENTS

| | | | |
|--------------|---------|------------------|--------|
| D42,846 S | 8/1912 | Farrell | |
| 1,162,840 A | 12/1915 | Wood | |
| 1,588,857 A | 6/1926 | Sherman | |
| D71,513 S | 11/1926 | Austin | |
| 1,620,789 A | 3/1927 | Urban, Jr. | |
| 1,697,880 A | 1/1929 | Peter | |
| 1,762,923 A | 6/1930 | Fegely | |
| D86,128 S | 2/1932 | Levkoff | |
| 1,871,617 A | 8/1932 | King | |
| 1,892,092 A | 12/1932 | Barad | |
| 1,899,547 A | 2/1933 | Addis et al. | |
| 1,994,159 A | 3/1935 | Wurzburg | |
| D95,429 S | 4/1935 | James et al. | |
| 2,522,049 A | 9/1950 | Lang | |
| 2,541,173 A | 2/1951 | Moore | |
| 2,597,377 A | 5/1952 | Robinson | |
| 2,604,980 A | 7/1952 | Reid | |
| 2,751,135 A | 6/1956 | Kessler | |
| 2,782,951 A | 2/1957 | Inman | |
| 2,790,589 A | 4/1957 | Moore | |
| 3,004,661 A | 10/1961 | Schumann | |
| 3,126,093 A | 3/1964 | Bradley et al. | |
| 3,357,543 A | 12/1967 | Taggart | |
| 3,423,006 A | 1/1969 | Stedman | |
| 3,494,534 A | 2/1970 | McFarland et al. | |
| 3,600,871 A | 8/1971 | Farquhar | |
| 3,660,934 A | 5/1972 | Pollack et al. | |
| D242,771 S | 12/1976 | Papillon | |
| D244,085 S | 4/1977 | Giddings et al. | |
| 4,139,096 A | 2/1979 | Sieger | |
| D258,938 S * | 4/1981 | Spitzer | D9/432 |
| D260,077 S | 8/1981 | Burns et al. | |
| 4,293,079 A | 10/1981 | Lytle | |
| D292,876 S | 11/1987 | Grunhut | |
| D292,877 S | 11/1987 | Grunhut | |
| 4,713,928 A | 12/1987 | Tisma | |
| 4,757,898 A | 7/1988 | Klein | |
| D307,504 S | 4/1990 | Silcox | |
| D315,297 S | 3/1991 | Campbell | |
| D317,717 S | 6/1991 | Carol | |
| D317,718 S | 6/1991 | Carol | |
| 5,038,940 A | 8/1991 | Okabe | |
| 5,096,056 A | 3/1992 | Garcia | |
| D327,004 S | 6/1992 | Nadel | |
| D329,601 S | 9/1992 | Samelson | |
| D333,615 S | 3/1993 | Zutler | |
| D335,819 S | 5/1993 | Campbell | |

(56)

References Cited

U.S. PATENT DOCUMENTS

D712,176 S 9/2014 Tamilarasan
 D712,748 S 9/2014 Akana et al.
 D713,739 S 9/2014 Akana et al.
 D717,165 S * 11/2014 Kwak D9/424
 D722,870 S * 2/2015 Fohner D9/424
 D728,358 S 5/2015 Belamich
 D729,636 S 5/2015 Steinberger
 D730,749 S 6/2015 Young et al.
 D731,323 S 6/2015 O'Neill
 D731,325 S 6/2015 Loessin
 D733,314 S 6/2015 Lui
 D733,315 S 6/2015 Lui
 D733,317 S 6/2015 Lui
 D733,318 S 6/2015 Lui
 9,061,790 B2 6/2015 Yagishita
 D734,075 S * 7/2015 Tapper D6/672
 D738,721 S * 9/2015 Song D9/432
 D741,193 S 10/2015 Lohuis et al.
 D748,280 S 1/2016 Lui
 D754,408 S 4/2016 Garrett et al.
 D755,641 S 5/2016 O'Neill
 D756,560 S 5/2016 Ghiotti et al.
 D756,804 S 5/2016 Gross
 D758,191 S * 6/2016 Tu D9/414
 D763,104 S 8/2016 Akana et al.
 D763,683 S 8/2016 O'Neill
 D763,684 S 8/2016 O'Neill
 D764,911 S 8/2016 Glass et al.
 D768,008 S * 10/2016 Akana D9/721
 D769,727 S 10/2016 Lohuis et al.
 D769,986 S * 10/2016 Timg D21/500
 D772,057 S 11/2016 Adams et al.
 D774,388 S * 12/2016 Xia D9/432
 9,533,791 B2 1/2017 Fath
 D780,569 S 3/2017 Bard et al.
 D780,570 S 3/2017 Bard et al.
 D787,186 S * 5/2017 Thurbin D3/313
 D787,320 S 5/2017 Gill et al.
 D789,752 S 6/2017 Zmrhal et al.
 2002/0108880 A1 * 8/2002 Krupa B65D 5/5038
 206/497
 2006/0266672 A1 11/2006 Young
 2006/0283733 A1 12/2006 Masa
 2007/0095693 A1 5/2007 DeLuca
 2008/0190788 A1 8/2008 Cziraky
 2009/0242455 A1 10/2009 Adams et al.
 2010/0012672 A1 1/2010 Piron
 2010/0187227 A1 7/2010 Wang
 2011/0174166 A1 7/2011 Sparacio et al.
 2012/0168434 A1 7/2012 Alagarda Cervera et al.
 2012/0168443 A1 7/2012 Maness
 2013/0161378 A1 6/2013 Nebeker et al.
 2013/0240387 A1 * 9/2013 Pugh B65D 85/00
 206/216
 2013/0248531 A1 9/2013 Lane
 2014/0021086 A1 1/2014 Roesler
 2014/0166736 A1 6/2014 Kato
 2014/0312107 A1 10/2014 Nash
 2015/0093509 A1 4/2015 Kennedy et al.
 2015/0232245 A1 8/2015 Fullan
 2015/0321811 A1 11/2015 Yeung
 2016/0009473 A1 * 1/2016 Korinek B65D 43/0222
 220/200
 2016/0046404 A1 2/2016 Cheeser et al.
 2016/0185511 A1 6/2016 O'Neill
 2017/0050797 A1 2/2017 Farid et al.
 2017/0076343 A1 3/2017 Bernstein et al.
 2017/0138660 A1 5/2017 Huckaby et al.
 2017/0152092 A1 6/2017 Glass et al.

OTHER PUBLICATIONS

Chocomize Candy Cube Boxes, available Nov. 17, 2016, [online], [site visited Aug. 2, 2017]. Available from internet, <URL: http://

www.chocomize.com/all-corporate-gifts/candy-cube-box-9pc.html.*
 “A Taste of Paradise” Collection by Sugarfina, available Aug. 2, 2017, [online], [site visited Aug. 2, 2017]. Available from internet, <URL: https://www.sugarfina.com/.*
 Sweitzer Candy Gift Box 4, available Feb. 21, 2015, [online], [site visited Aug. 2, 2017]. Available from internet, <URL: https://web.archive.org/web/20150221225755/https://sweitzercandy.com/index.php/gift-boxes.html.*
 Chocomize, Candy Cube Boxes, www.chocomize.com/candy-cube-box-9pc.html (Jun. 29, 2017).
 MidNite Snax, Signature Sets, http://midnitesnax.com/home_page_files/view/1265/file.pdf (Jun. 29, 2017).
 Sweet Pete’s, Build-a-Candy-Cube-Box, https://www.sweetpetescandy.com/collections/build-a-candy-cube-box (Jun. 29, 2017).
 Sweet Pete’s, Pete’s Picks Collection, www.sweetpetescandy.com:80/collections/boxes (Mar. 23, 2016).
 Sweitzer Candy Shop, Gifts, https://sweitzercandy.com/index.php/gift-boxes.html (Jun. 29, 2017).
 Sugarfina, Design Your Own Bento, www.sugarfina.com/shop/gift-shop/gift-type/design-your-own-bento (Jun. 29, 2017).
 Sugarfina, Custom Catalogue, https://issuu.com/sugarfina/docs/2017-corporatecatalog-ppai-webversi (Jun. 29, 2017).
 Teapressa, Tea + Cube, available at https://teapressa.com/collections/gifts/products/tea-cube (Jun. 29, 2017).
 Sweitzer Candy Gift Box 8, available Feb. 21, 2015, [online], [site visited Aug. 2, 2017]. Available from internet, <URL: https://web.archive.org/web/20150221225755/https://sweitzercandy.com/index.php/gift-boxes.html, 2 pages.
 Sweitzer Candy Gift Box 4, available Feb. 21, 2015, [online], [site visited Aug. 2, 2017]. Available from internet, <URL: https://web.archive.org/web/20150221225755/https://sweitzercandy.com/index.php/gift-boxes.html, 2 pages.
 “A Taste of Paradise,” Collection by Sugarfina, available Aug. 2, 2017, [online], [site visited Aug. 2, 2017]. Available from internet, <URL:https://www.sugarfina.com, 1 page.
 Cubetas, [online], [site visited Aug. 16, 2017]. Available from internet, <URL:http://cubetas.jp/>, 19 pages.
 Bouquet Bar 3 Piece Box Photo—Instagram—https://www.instagram.com/p/BPs-h6rBWic/?taken-by=thebouquetbar; Jan. 25, 2017, 1 page.
 Bouquet Bar 6 Piece Box Photo—“It’s Time to Ditch the Red Roses: Six Better Ways to Give Your Valentine Flowers,” People Home & Travel; Jan. 31, 2017, 10 pages.
 Bouquet Bar 6 Piece Photo—Instagram—https://www.instagram.com/p/BP-9l12hV9Q/?taken-by=thebouquetbar; Feb. 1, 2017, 1 page.
 Chocomize 2 Piece Box—https://www.chocomize.com/candy-cubes-2pack.html; Oct. 16, 2017, 4 pages.
 Chocomize 3 Piece Box Photo—Facebook—https://www.facebook.com/Chocomize/photos/a.423529781180.220124.176532311180/10154561729211181/?type=3&theater; Nov. 11, 2016, 1 page.
 Chocomize 6 Piece Box—https://www.chocomize.com/candy-cube-6pcs-box.html; Oct. 16, 2017, 3 pages.
 Chocomize 9 Piece Box Photo—Instagram—https://www.instagram.com/p/B15r4s6BLH7/?taken-by=chocomize; Aug. 9, 2016, 1 page.
 Chocomize 9 Piece Box Photo—Instagram—https://www.instagram.com/p/BMpjEEUhpqV/?taken-by=chocomize; Nov. 10, 2016, 1 page.
 Chocomize 9 Piece Box Photo—Instagram—https://www.instagram.com/p/BMrp0YdhQeU/?taken-by=chocomize; Nov. 11, 2016, 1 page.
 Cubetas 2 Piece and 3 Piece Box Photo—Instagram—https://www.instagram.com/p/BMyWwq0BQoH/?taken-by=cubetas.2016; Nov. 14, 2016, 1 page.
 Cubetas 2 Piece and 3 Piece Box Photo—Instagram—https://www.instagram.com/p/BNtkhJpBzYm/?taken-by=cubetas.2016; Dec. 7, 2016, 1 page.

(56)

References Cited

OTHER PUBLICATIONS

Cubetas 2 Piece Box Photo—Instagram—<https://www.instagram.com/p/BMQ9Bjihgyz/?taken-by=cubetas.2016>; Nov. 1, 2016, 1 page.

Cubetas 3 Piece Box Photo—Instagram—<https://www.instagram.com/p/BPrxqTThloh/?taken-by=cubetas.2016>; Jan. 25, 2017, 1 page.

Foxes Events 6 Piece Box Photo—Instagram—<https://www.instagram.com/p/BQVMWj7jZke/?taken-by=foxesevents&hl=en>; Feb. 10, 2017, 1 page.

Idea Stage 2 Piece Box—<https://www.ideastage.com/Cube-Shaped-Candy-Set-965458328>; Oct. 13, 2017, 2 pages.

Sugarwish 2 Piece and 4 Piece Boxes—<https://web.archive.org/web/20151201071311/https://sugarwish.com/choose-a-sugarwish>; Dec. 1, 2015, 1 page.

Sweet Lounge 2 Piece Box—<https://www.sweetlounge.co.uk/lounge-box-hello-spring-collection-for-vegans/>; Oct. 16, 2017, 6 pages.

Sweet Lounge 3 Piece and 4 Piece Box Photo—Instagram—https://www.instagram.com/p/BM_eHn6g8ly/?taken-by=sweetloungeuk; Nov. 19, 2016, 1 page.

Sweet Lounge 3 Piece and 4 Piece Box Photo—Instagram—https://www.instagram.com/p/BMY_iidAMwX/?taken-by=sweetloungeuk; Nov. 4, 2016, 1 page.

Sweet Lounge 4 Piece Box—Instagram—<https://www.instagram.com/p/BNMfnaJgwOo/?taken-by=sweetloungeuk>; Nov. 24, 2016, 1 page.

Sweet Lounge 4 Piece Box—<https://www.sweetlounge.co.uk/lounge-box-hello-spring-collection/>; Oct. 16, 2017, 7 pages.

Sweet Lounge 4 Piece Box Video Snapshots—Facebook—<https://www.facebook.com/sweetloungeuk/videos/vb.670728213008752/1188285557919679/?type=2&theater>; Nov. 16, 2016, 6 pages.

Sweet Pete's 8 Piece Box—www.sweetpetescandy.com/collections/create-a-box; Nov. 18, 2016, 2 pages.

Sweitzer Candy 3 Piece Box Photo—Instagram—<https://www.instagram.com/p/440XvelugO/?taken-by=sweitzercandy>; Jul. 8, 2015, 1 page.

Sweitzer Candy 4 Piece Box Photo—Instagram—<https://www.instagram.com/p/440XveluqO/?taken-by=sweitzercandy>; Apr. 16, 2015, 1 page.

Sweitzer Candy 8 Piece Box Photo—Instagram—<https://www.instagram.com/p/wLDm8Olujs/?taken-by=sweitzercandy>; Dec. 4, 2014, 1 page.

Webb Company 2 Piece Box Photo—Facebook—<https://www.facebook.com/webbcollection/photos/a.376918812240.156708.376836382240/10154628557212241/?type=3&theater>; Oct. 18, 2016, 1 page.

Webb Company 4 Piece Box—<https://www.facebook.com/webbcollection/photos/a.376918812240.156708.376836382240/10154602255037241/?type=3&theater>; Oct. 11, 2016, 1 page.

Weeny Beeny 3 Piece Box Photo—Facebook—<https://www.facebook.com/weenybeeny123/>; Jan. 31, 2017, 1 page.

Weeny Beeny 4 Piece Box Photo—Facebook—<https://www.facebook.com/weenybeeny123/>; Jan. 31, 2017, 1 page.

Bonbonist Box Photo—Facebook—<https://www.facebook.com/thebonbonist/photos/a.1493876617357861.1073741829.1290401221038736/1493876580691198/?type=3&theater>; Oct. 1, 2017, 1 page.

Bonbonist—<https://thebonbonist.com>; Oct. 18, 2017, 4 pages.

Sugarfina Partners With Sanrio to Create the Cutest Hello Kitty Candy on the Planet. [online] Published Sep. 17, 2017. Retrieved Nov. 20, 2017 from URL: <https://www.popsugar.com/food/photo-gallery/44018877/image/44018885/Sugarfinas-Pop-Up-Candy-Bento-Box-30>.

Rigid Set-up Box, Wine and Champagne Chocolate Leather Gift Box, Faux Leather, Dark Brown, Qty/CASE-6. [online] Retrieved Nov. 22, 2017 from URL: <https://www.aspecialtybox.com/RG00F-00493-C>.

House Drawer Gift Box/CMXSSGB-10. [online] Retrieved Nov. 22, 2017 from URL: <http://www.charmpackaging.com/special-shape-gift-box/house-drawer-gift-box-cmxssgb-010.html>.

White Two Piece Gift Box (Exact Date Unknown); believed available as of Aug. 2012; 1 page.

Colored Deluxe Two Piece Gift Boxes (Exact Date Unknown); believed available as of Aug. 2012; 10 pages.

Clear Flush-Lid Amac Boxes (Exact Date Unknown); believed available as of Feb. 27, 2010; 10 pages.

International Search Report and Written Opinion for International Application No. PCT/US2017/057660 dated Jan. 19, 2018, 9 pages.

Sugarfina Representative Twitter posts; <https://twitter.com/sugarfina>; 91 pages.

Sugarfina Representative Facebook posts; <https://www.facebook.com/Sugarfina>; 25 pages.

Sugarfina Representative Instagram posts; <https://www.instagram.com/sugarfina/?hl=en>; 40 pages.

Sugarfina: Sampling the Sweets—York Avenue; <https://yorkavenueblog.com/sugarfina-sampling-sweets/>; Sep. 8, 2014; 7 pages.

Sugarfina—Candy Happiness!; <http://luluandlattes.com/2013/06/27/sugarfina-candy-happiness/>; Jun. 27, 2013; 11 pages.

Kasey's Kitchen: Kasey's Favorite Thing #20: Sugarfina; <http://kaseyskitchentv.blogspot.com/2013/12/kaseys-favorite-thing-20-sugarfina.html>; Dec. 17, 2013; 3 pages.

Jonathan Adler Sugarfina Bento Boxes_InStyle.com; <http://www.instyle.com/lifestyle/news/sugarfina-loves-jonathan-adler-collection>; Apr. 11, 2016; 2 pages.

Fancy candy brand selects fancier Dallas destination for Texas debut; <http://dallas.culturemap.com/news/restaurants-bars/10-29-15-sugarfina-highland-park-village-market-candy/>; Oct. 29, 2015; 4 pages.

Emiiichan Blog_Sugarfina candy order; <https://emiiichan.blogspot.com/2014/11/sugarfina-candy-order.html>; Nov. 21, 2014, 18 pages.

Drool Worthy Sweets in Cute Packaging Beckon at Sugarfina Candy Shop; <http://www.7x7.com/drool-worthy-sweets-in-cute-packaging-beckon-at-sugarfina-candy-shop-1787196138.html>; Jul. 15, 2015; 4 pages.

Candy Critic:Boxes and Boxes of Gummies From Sugarfina; <http://candy-critic.blogspot.com/2013/05/boxes-and-boxes-of-gummies-from.html>; May 2, 2013; 2 pages.

Sugarfina Part I—Foodette Reviews; <http://foodettereviews.com/?p=24>; Sep. 10, 2013; 7 pages.

Rebecca's Delights: Sugarfina Gourmet Candy—Author Rebecca Kelsey Sampson; <http://rebeccakelsey.com/2012/11/rebeccas-delights-sugarfina-gourmet-candy>; Nov. 12, 2012, 6 pages.

Sugar & Charm // Sugarfina—Mary Costa Photography; <http://marycostaphotography.com/sugar-charm-sugarfina/>; Apr. 22, 2014; 24 pages.

Treat yourself: Sugarfina!_Twinkie Chan Blog; <http://blog.twinkiechan.com/2012/09/20/treat-yourself-sugarfina/>; Sep. 20, 2012; 13 pages.

Sugarfina << MDH Mark D Hogan; <https://markdhogan.wordpress.com/tag/sugarfina/>; Aug. 29, 2013; 7 pages.

Sugarfina (Beverly Hills, CA) • The Episodic Eater; <https://www.theepisodic eater.com/sugarfina-beverly-hills-ca/>; unknown date; 29 pages.

Sugarfina—A Unique Candy Boutique at The Americana; <http://www.realmomofsv.com/2014/06/18/sugarfina-a-unique-candy-boutique-at-the-americana/>; Jun. 18, 2014; 28 pages.

Sugarfina—Thrillist LA; <https://www.thrillist.com/eat/los-angeles/we-fed-a-kid-absinthe-candy-here-s-what-happened-thrillist-la>; Dec. 16, 2013; 35 pages.

A Sweet Evening at Sugarfina—SavvySleepers; <https://www.savvysleepers.com/blogs/the-benefits-of-satin/44181636-a-sweet-evening-at-sugarfina>; Aug. 31, 2015; 7 pages.

Sugarfina: The Chocolates—Candy Blog; http://www.candyblog.net/blog/item/sugarfina_the_chocolates; Jul. 16, 2013; 11 pages.

Sugarfina Beverly Hills & Trio of Goodies—Candy Blog; http://www.candyblog.net/blog/item/sugarfina_trio_of_goodies; Dec. 16, 2013; 11 pages.

Sugarfina: The Gummies—Candy Blog; http://www.candyblog.net/blog/item/sugarfina_the_gummies; Jul. 10, 2013; 11 pages.

(56)

References Cited

OTHER PUBLICATIONS

NYC Guide: Sugarfina—York Avenue; <https://yorkavenueblog.com/nyc-guide-sugarfina/>; Oct. 26, 2015; 74 pages.

Talking Shop: Sugarfina—Sugar Paper; <https://sugarpaper.com/blogs/news/87503553-talking-shop-sugarfina>; Feb. 11, 2016; 13 pages.

A Candy Emporium for Adults; <https://www.entrepreneur.com/article/236286>; Aug. 25, 2014; 10 pages.

10 fanciest candies from Sugarfina's New York shop—NY; <http://www.nydailynews.com/life-style/eats/10-fanciest-candies-sugarfina-new-york-shop-article-1.2407237>; Oct. 22, 2015; 9 pages.

People Freaked Out So Hard Trying to Get Rosé Gummy Bears that They Crashed the Website; <https://www.forbes.com/sites/meghancasserly/2013/04/09/sugarfina-facebook-candy-shop-outerspace/#78cb39dd6e74>; Jun. 29, 2016; 14 pages.

Sugarfina: One Candy-Coated Startup's Plans for a Lucrative Exit—But First A Trip To Space; <https://www.forbes.com/sites/meghancasserly/2013/04/09/sugarfina-facebook-candy-shop-outerspace/#78cb39dd6e74>; Apr. 9, 2013; 6 pages.

Luxurious One-of-a-Kind Candy Shop Tour With Sugarfina—Best Friends for Frosting; <https://bestfriendsforfrosting.com/2015/11/luxurious-one-kind-candy-sugarfina/>; Nov. 17, 2015; 16 pages.

Sugarfina Launches—Atlanta's Lenox Square Just Got Sweeter!; <http://www.momsmagicalmiles.com/sugarfina-launches-atlantas-lenox/>; Nov. 6, 2015; 15 pages.

Whispering Angel Rosé-Infused Gummy Bears are Summer's Hottest Sweet—The Glamorous Gourmet; <https://theglamorousgourmet.com/whispering-angel-rose-gummy-bears-summer-hottest-sweet/>; Jul. 31, 2016; 13 pages.

Sugar Fix: Sugarfina Pasadena; <https://studiodiy.com/2015/07/21/sugar-fix-sugarfina-pasadena/>; Jul. 21, 2015; 15 pages.

Rosie O'Neill of Sugarfina—The Everygirl; <http://theeverygirl.com/rosie-oneill-of-sugarfina/>; May 18, 2014; 27 pages.

* cited by examiner

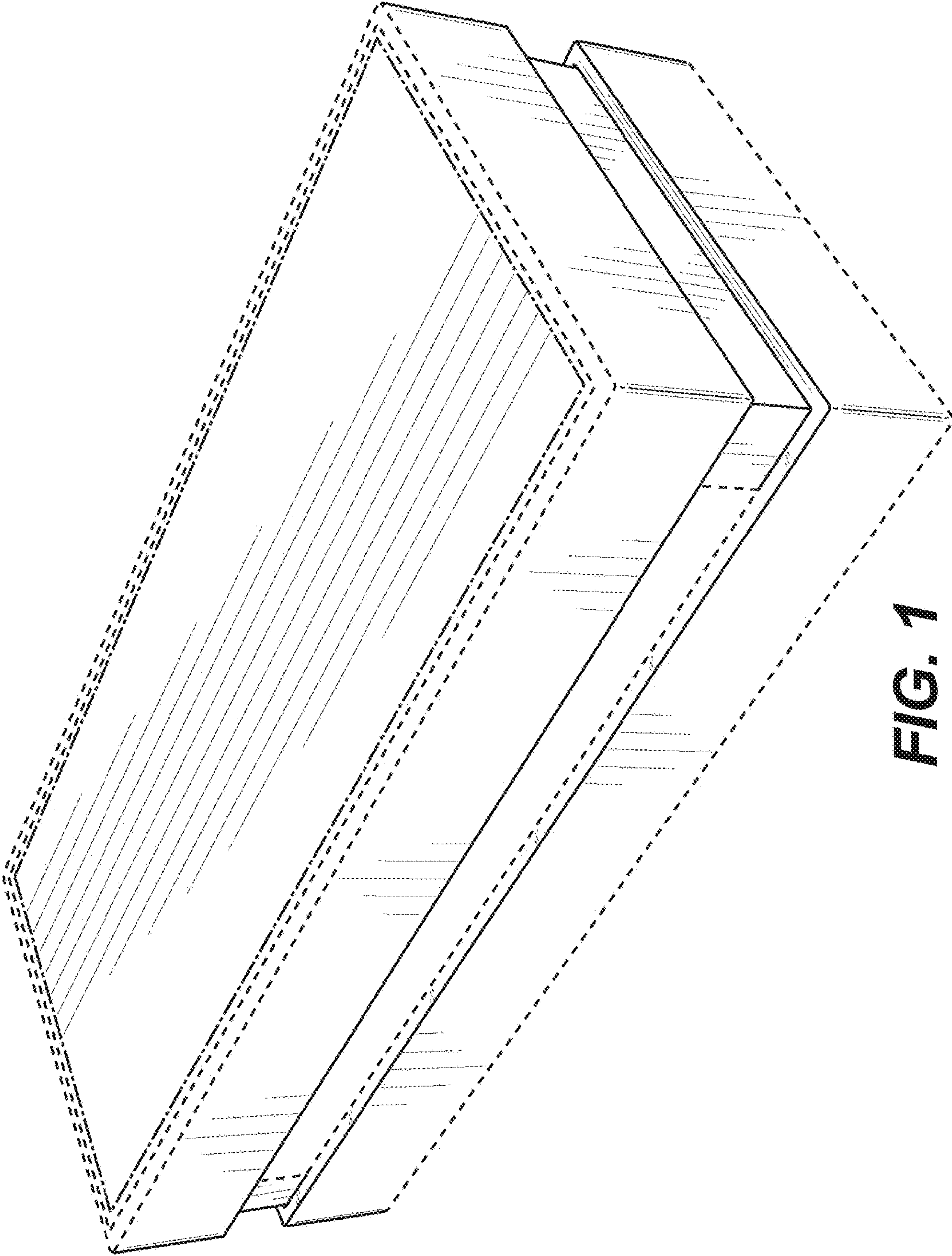


FIG. 1

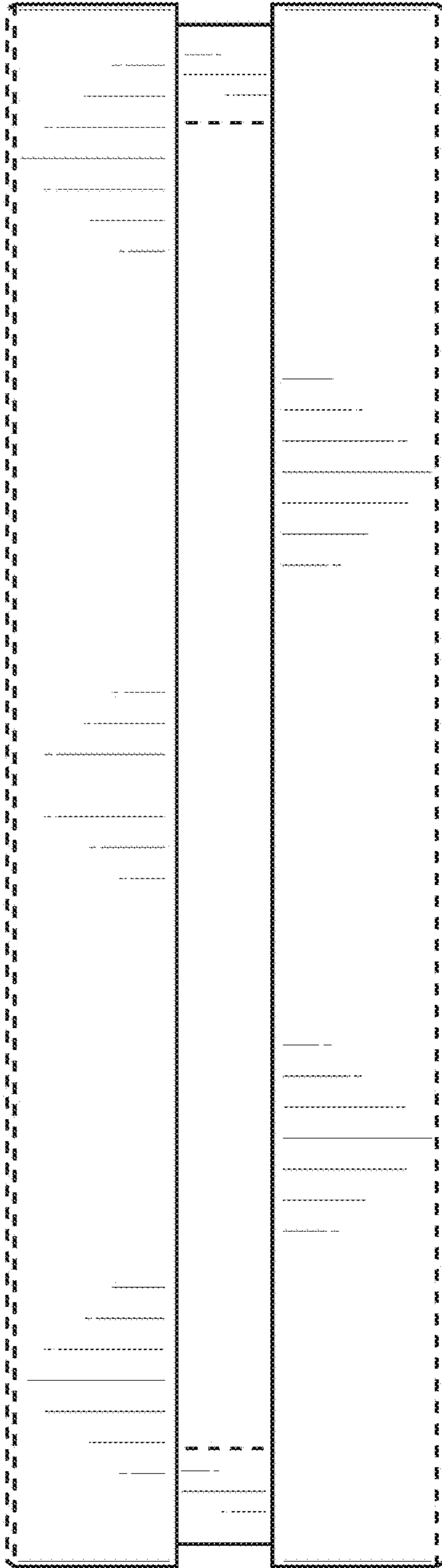


FIG. 2

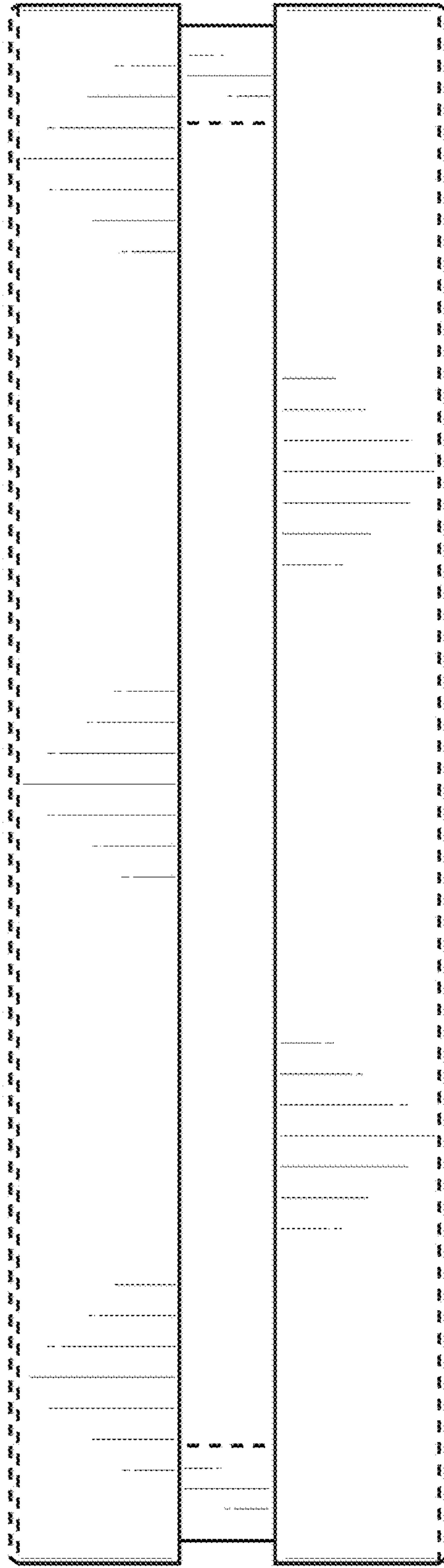


FIG. 3

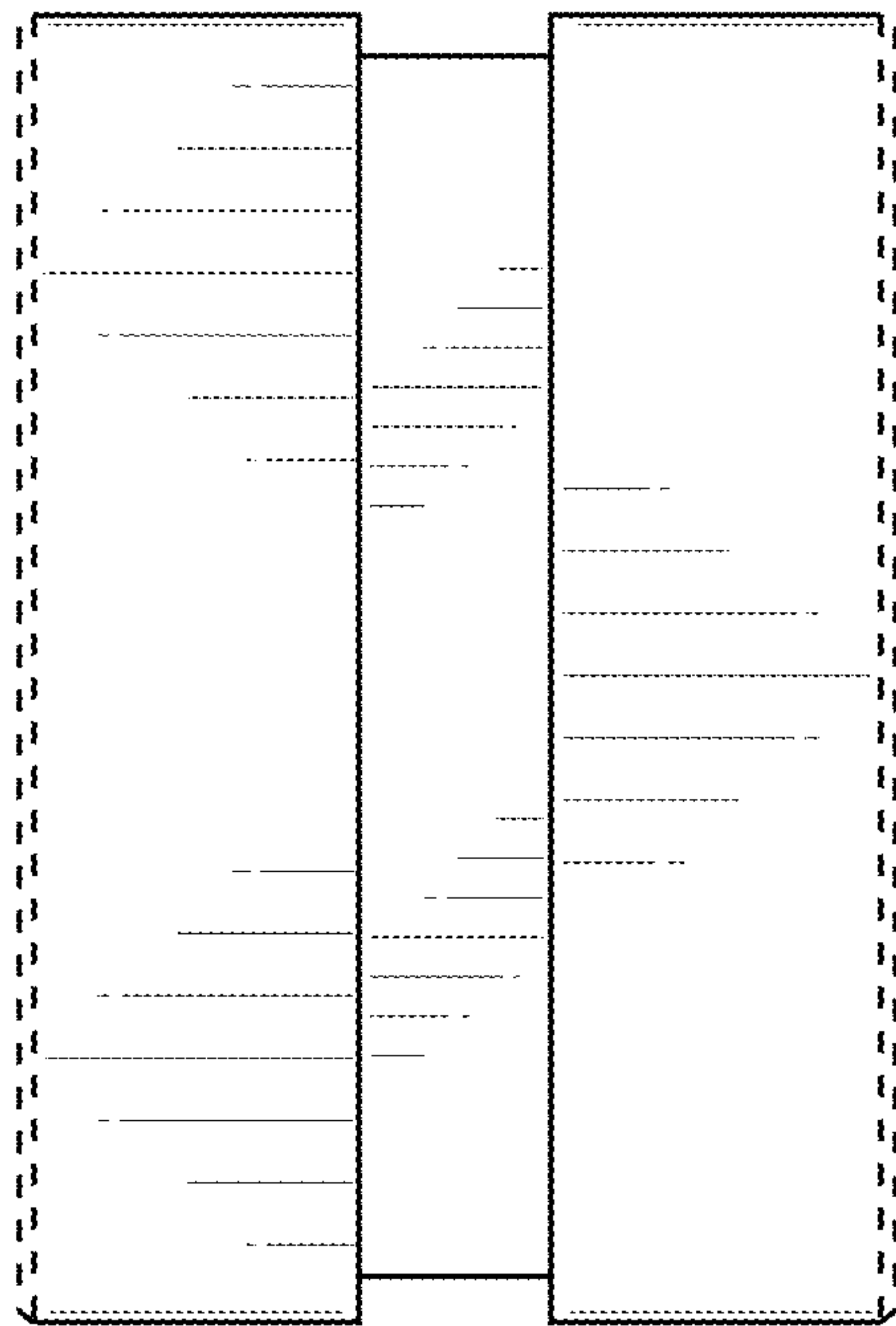


FIG. 4

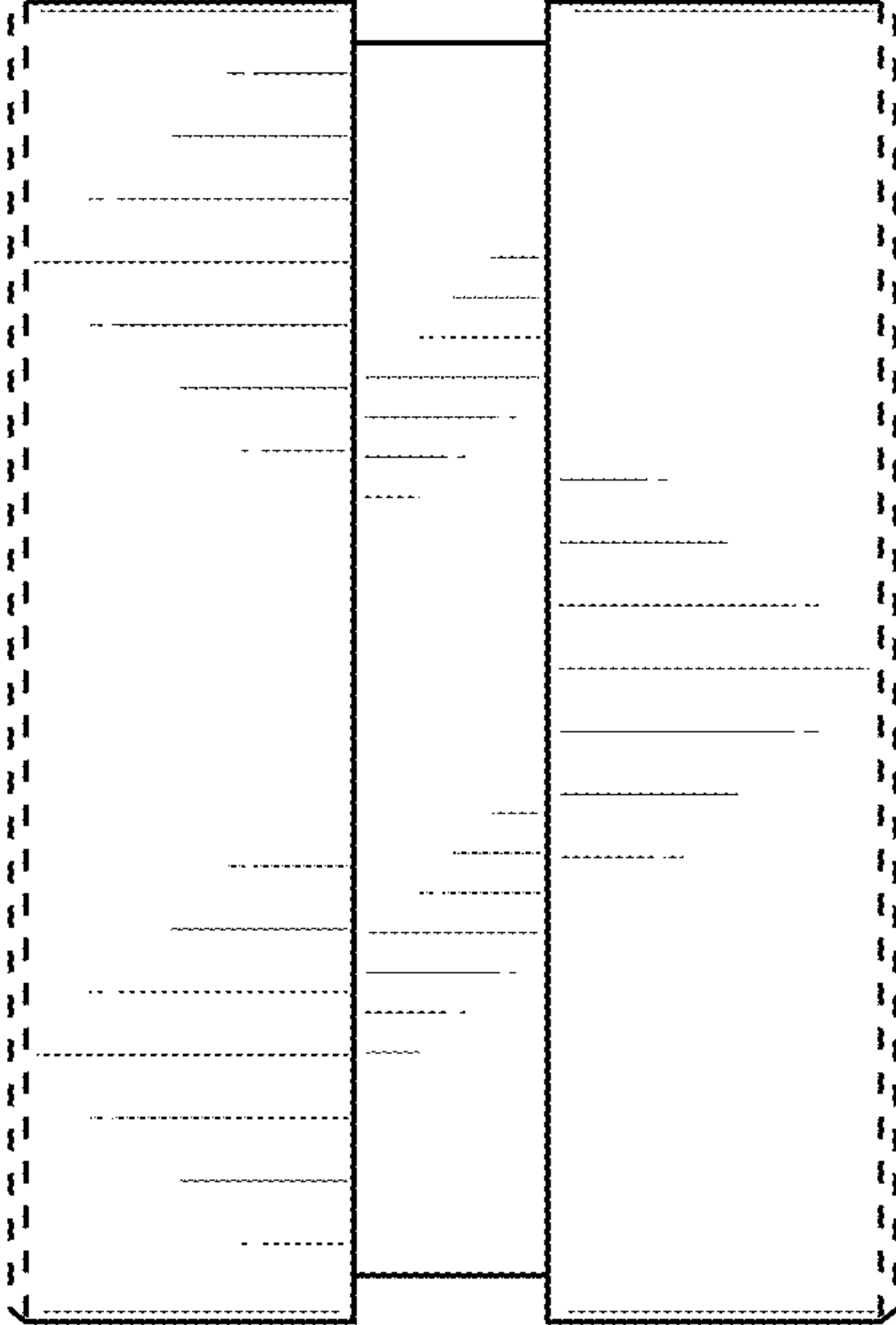


FIG. 5

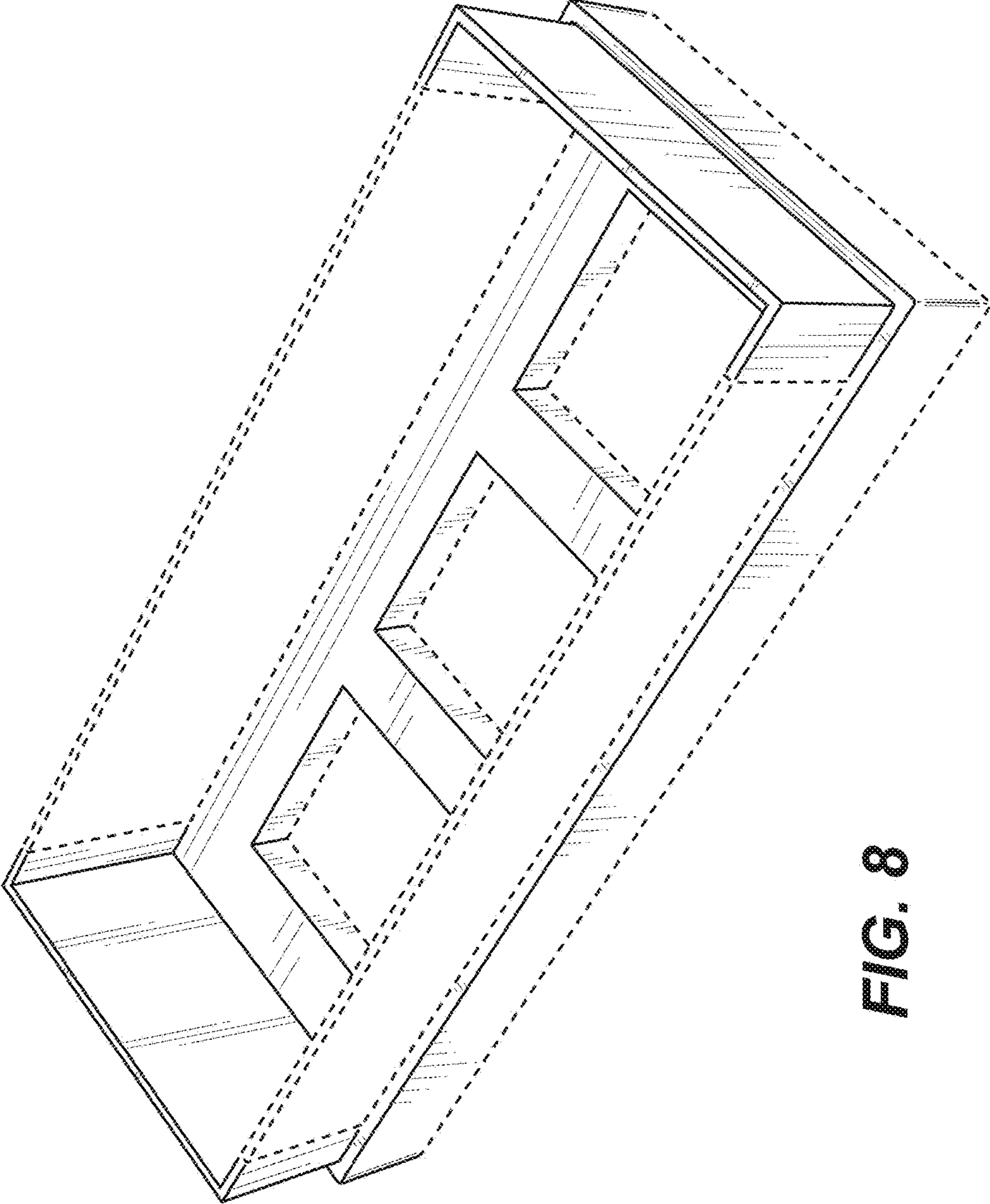


FIG. 8

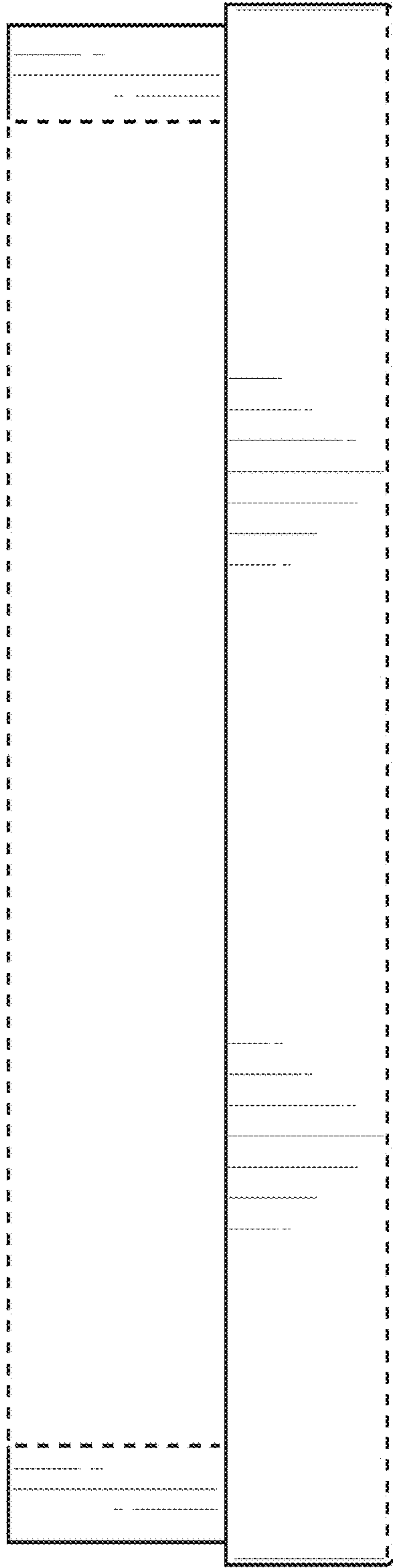


FIG. 9

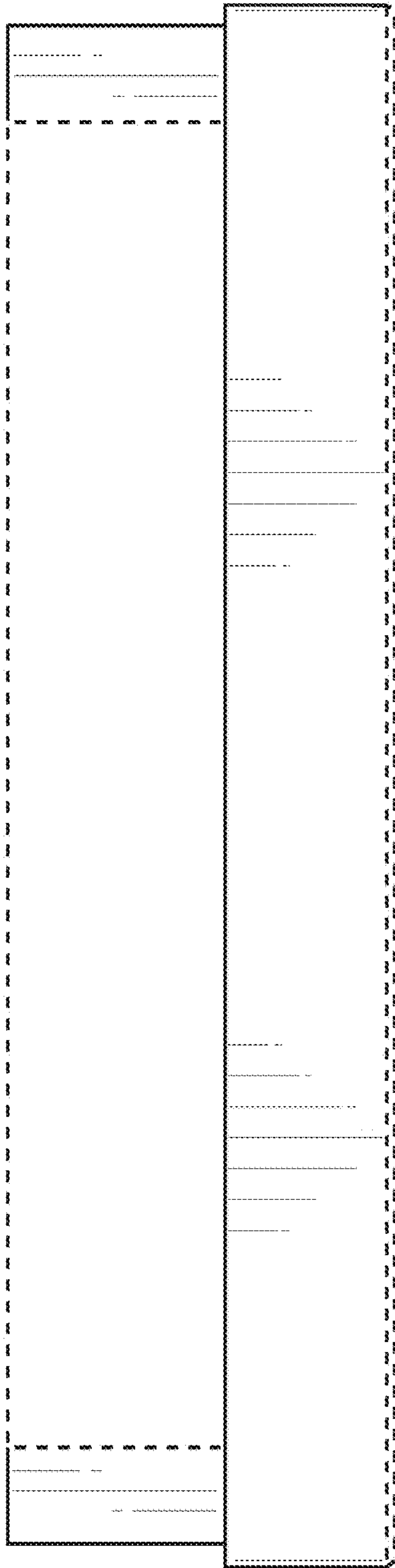


FIG. 10

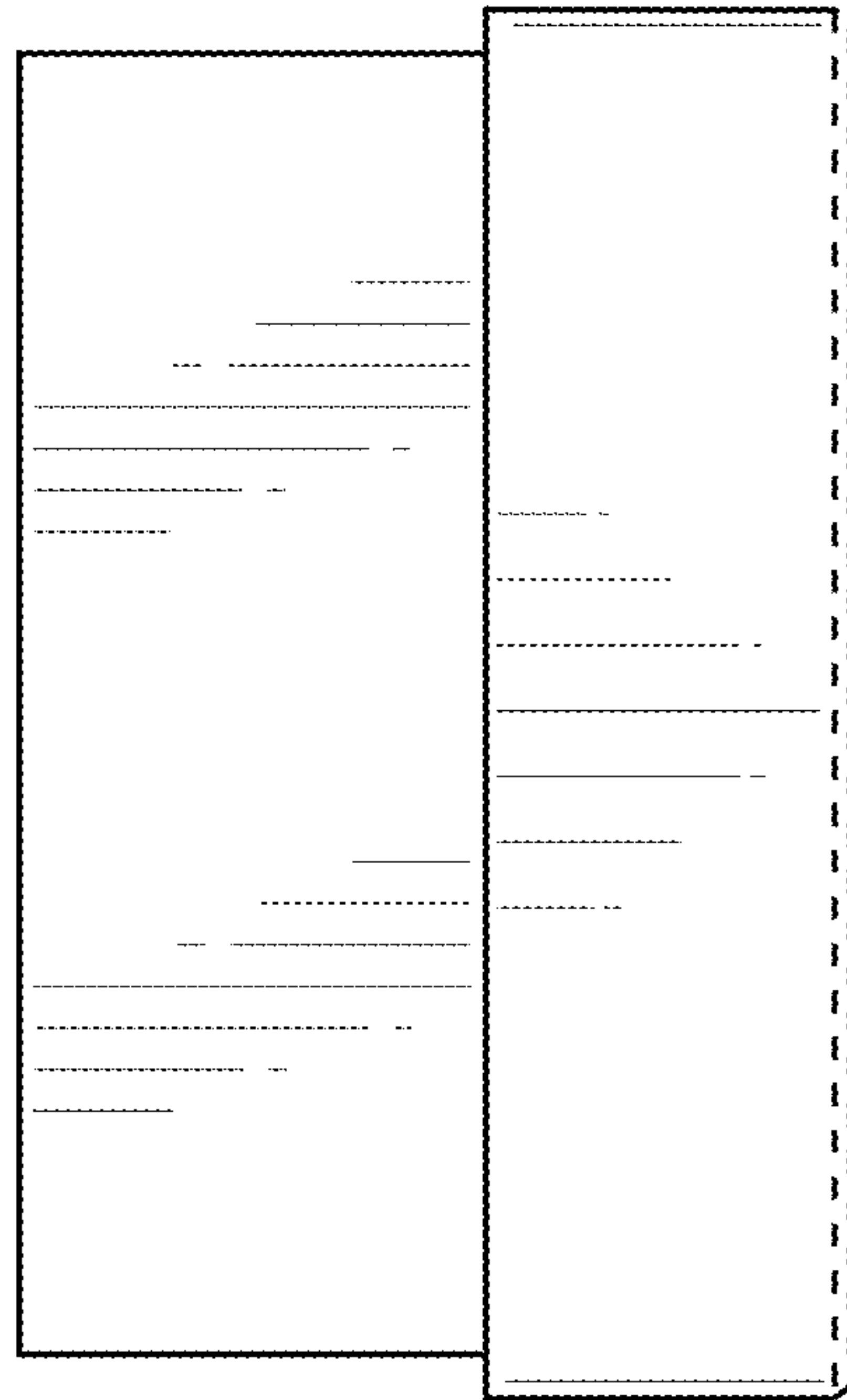


FIG. 11

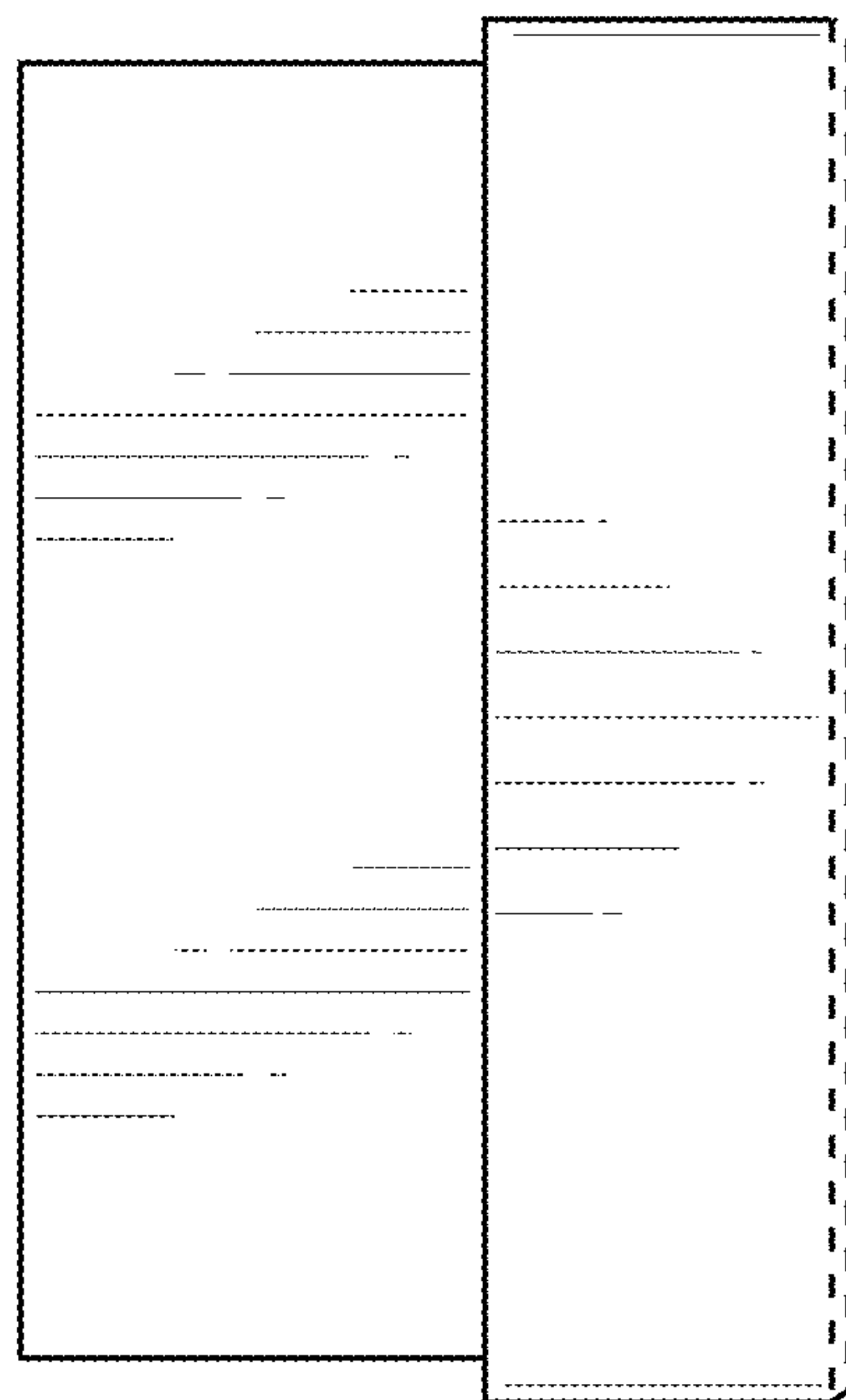


FIG. 12

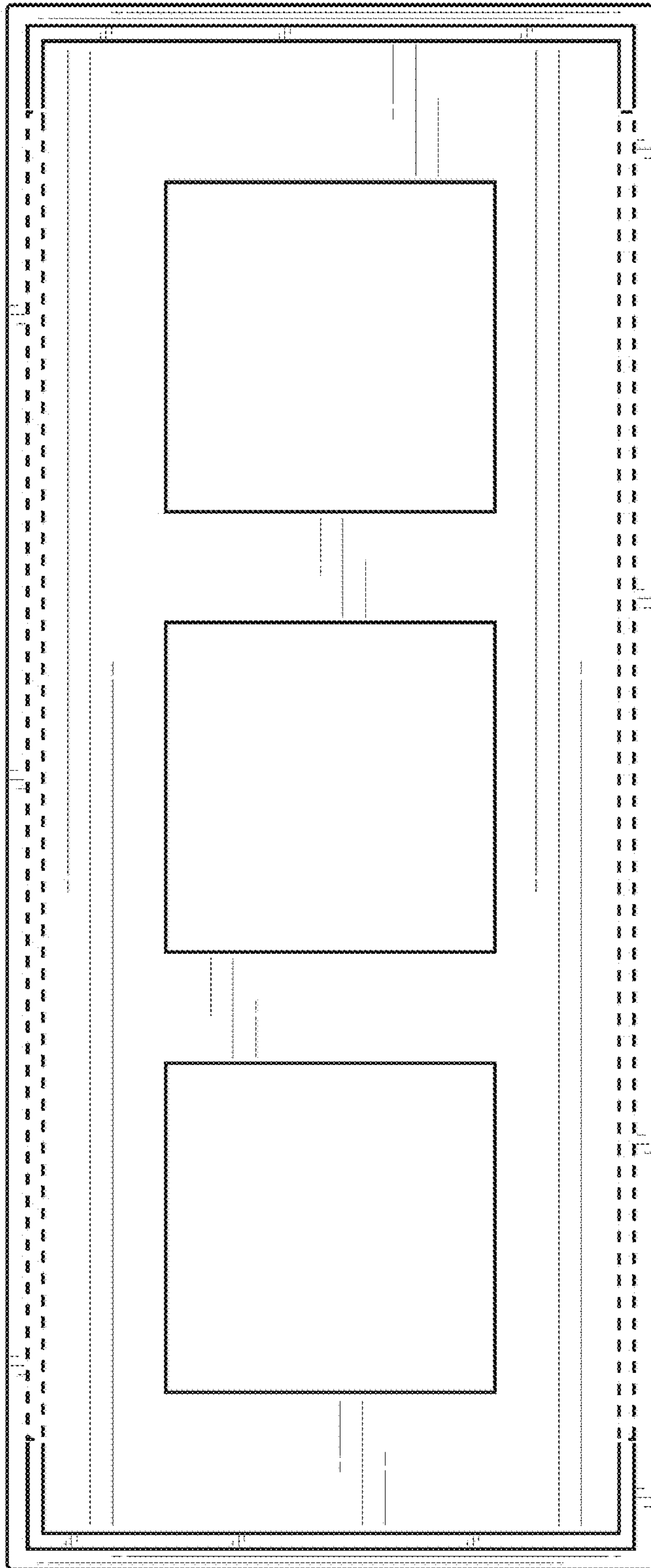


FIG. 13

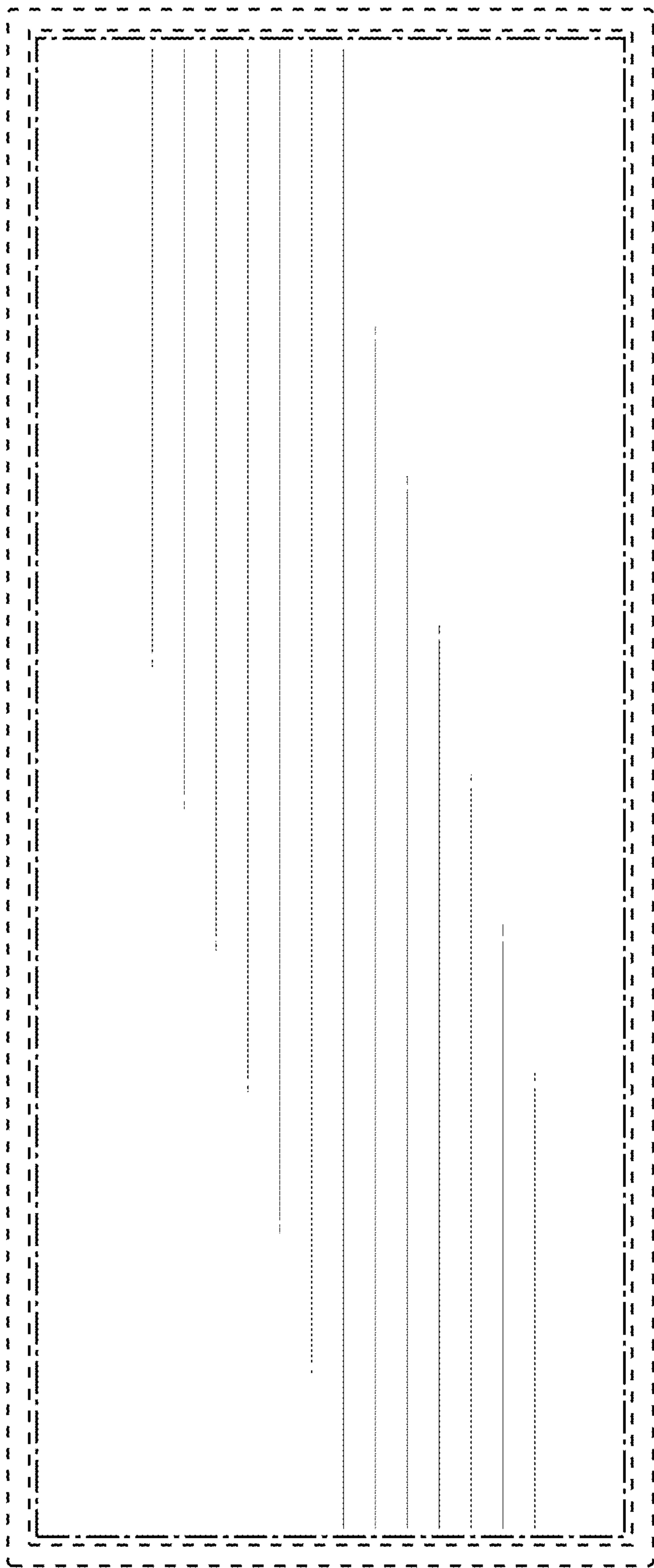


FIG. 14

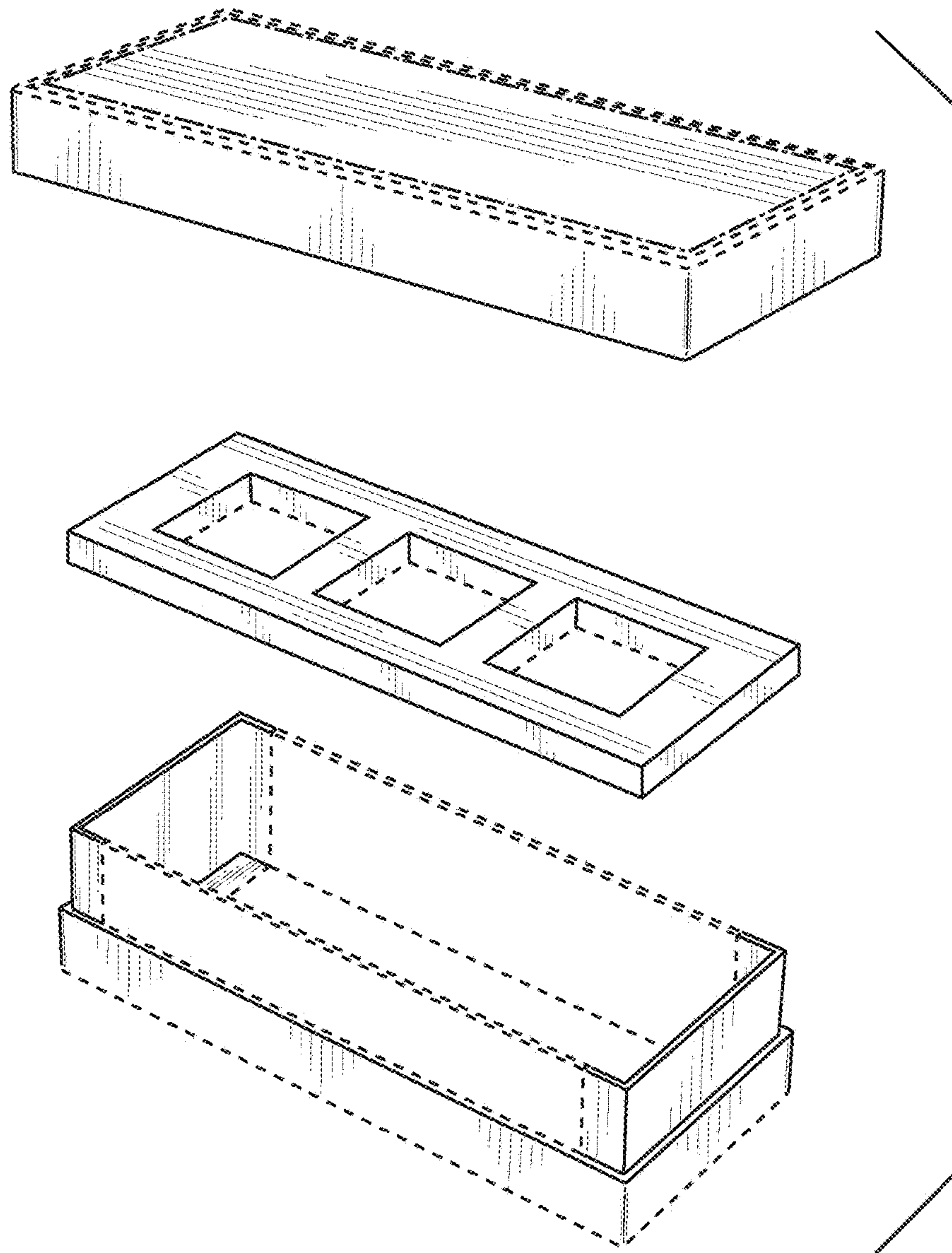


FIG. 15