



US00D823124S

(12) **United States Design Patent**
Billen

(10) **Patent No.:** **US D823,124 S**
(45) **Date of Patent:** **** Jul. 17, 2018**

(54) **VEHICLE CARTON**
(71) Applicant: **Kid Stuff Marketing, Inc.**, Topeka, KS (US)
(72) Inventor: **William D. Billen**, Topeka, KS (US)
(73) Assignee: **Kid Stuff Marketing, Inc.**, Topeka, KS (US)
(**) Term: **15 Years**

4,055,250 A 10/1977 Mayhew
D256,670 S 9/1980 Fish
4,643,349 A 2/1987 Sheffer
4,646,959 A 3/1987 Sheffer
4,661,082 A 4/1987 Sheffer
4,804,133 A 2/1989 Kiyokane
5,454,508 A 10/1995 Billen
D374,175 S 10/1996 Tesar
5,622,256 A 4/1997 Tesar
D386,399 S 11/1997 Stokely et al.
D408,211 S 4/1999 Cordell
D444,187 S 6/2001 Mankowski

(Continued)

(21) Appl. No.: **29/584,998**

(22) Filed: **Nov. 18, 2016**

(51) **LOC (11) Cl.** **09-01**

(52) **U.S. Cl.**
USPC **D9/675; D21/551**

(58) **Field of Classification Search**
USPC D3/270, 271.1-271.4; D7/514-520, 599, D7/604, 613, 619.2, 623, 628; D9/600, D9/572-577, 414-434; 206/457, 459.5, 206/527; 215/387-388, 381-384, 400; 229/150, 153, 116.4; 220/890; D21/549, D21/551; 446/77, 78, 80
CPC B65D 5/42; B65D 5/4258; B65D 81/36; B65D 81/60; B65D 81/365; B65D 81/366; B65D 81/368; B65D 2203/00; B65D 2203/02; A63H 33/16

See application file for complete search history.

(56) **References Cited**

U.S. PATENT DOCUMENTS

979,812 A 12/1910 Warren
1,330,654 A 2/1920 Alexander
1,547,176 A 7/1925 Lazon
1,553,793 A 9/1925 Rozowsky
2,118,821 A 5/1938 Ringler
D172,877 S 8/1954 Handler et al.
2,823,844 A 2/1958 Frankenstein
3,224,660 A 12/1965 Willis
D214,262 S 5/1969 Paige
D219,930 S 2/1971 Fogarty et al.

OTHER PUBLICATIONS

2007 QSR/FPI Foodservice Packaging Awards, dated Oct. 23, 2007. <https://www.slideshare.net/purdy/2007-qsrspi-foodservice-packaging-awards>.*

(Continued)

Primary Examiner — Sandra L Morris
(74) *Attorney, Agent, or Firm* — Erickson Kernell IP, LLC

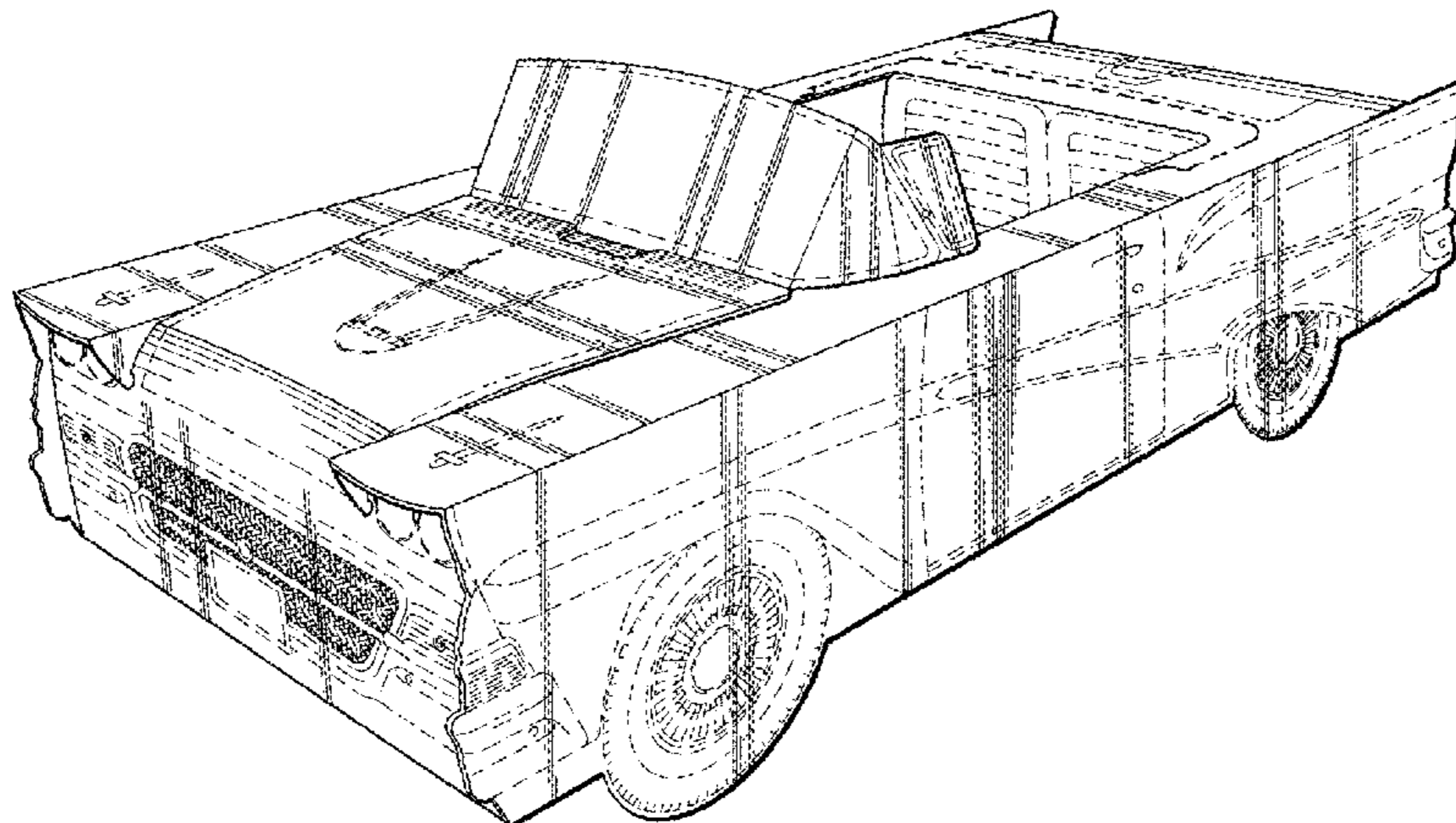
(57) **CLAIM**

The ornamental design for a vehicle carton, as shown and described.

DESCRIPTION

FIG. 1 is a perspective view of an ornament design for a vehicle carton;
FIG. 2 is a top view thereof;
FIG. 3 is a side view thereof;
FIG. 4 is a front end view thereof;
FIG. 5 is a rear end view thereof;
FIG. 6 is a bottom view thereof; and,
FIG. 7 is a flat unfolded view thereof.
The broken lines in FIGS. 1-5 are for illustrative purposes only and form no part of the design. The broken lines in FIG. 7 depict fold lines.

1 Claim, 6 Drawing Sheets



(56)

References Cited

OTHER PUBLICATIONS

U.S. PATENT DOCUMENTS

D531,516 S	11/2006	Sellars	
D534,810 S	1/2007	Sellars	
D536,260 S	2/2007	Young et al.	
D538,176 S	3/2007	Wilburn	
D547,396 S	7/2007	Yaguchi	
7,317,573 B2	1/2008	Billen	
7,487,903 B2	2/2009	Billen	
D593,615 S *	6/2009	Woodard D21/551
7,765,551 B2	7/2010	Broberg	
D638,305 S	5/2011	Brogan et al.	
8,511,537 B2 *	8/2013	Billen A63H 17/00 206/457
8,783,548 B2	7/2014	Billen	
D751,414 S	3/2016	Billen	
D752,449 S	3/2016	Billen	
D752,450 S	3/2016	Billen	
D752,451 S	3/2016	Billen	
D763,097 S	8/2016	Billen	
D763,098 S	8/2016	Billen	
D763,099 S	8/2016	Billen	
D768,003 S	10/2016	Billen	
9,469,460 B2	10/2016	Billen	
D778,169 S	2/2017	Billen	
D792,235 S	7/2017	Billen	
D792,236 S	7/2017	Billen	
D792,237 S	7/2017	Billen	
2015/0329269 A1 *	11/2015	Billen B65D 5/425 229/116.4

40th Anniversary Ford Mustang Classic Cruisers Carton, dated Apr. 23, 2004. http://www.toydirectory.com/monthly/toyshow/product.asp?product_id=2559&company_id=408.*

Clasic car carton, dated Jul. 22, 2008. <https://blog.retroplanet.com/retro-party-favors/>.*

Classic Cruiser carton, dated Mar. 25, 2014. <https://blog.retroplanet.com/cars-party-favors-gifts/>.*

<http://www.mecum.com/lot-detail/CA0810-96584/0/1958-Ford-Fairlane-500-sunliner-convertible/automatic/>.

Automobile catalog, <http://www.automobile-catalog.com/photo/1958/293750/83510.html>, Buick Series 60 Century Convertible Variable-Pitch-Dynaflow (1958), GM Corp., undated.

Barrett-Jackson Auction Company, <http://www.barrett-jackson.com/Events/Event/Details/1958-CHEVROLET-CORVETTE-CONVERTIBLE-139302>, 1958 Chevrolet Corvette Convertible.

www.boldride/ride/1957/ford-fairlane-500-sunliner-convertible.

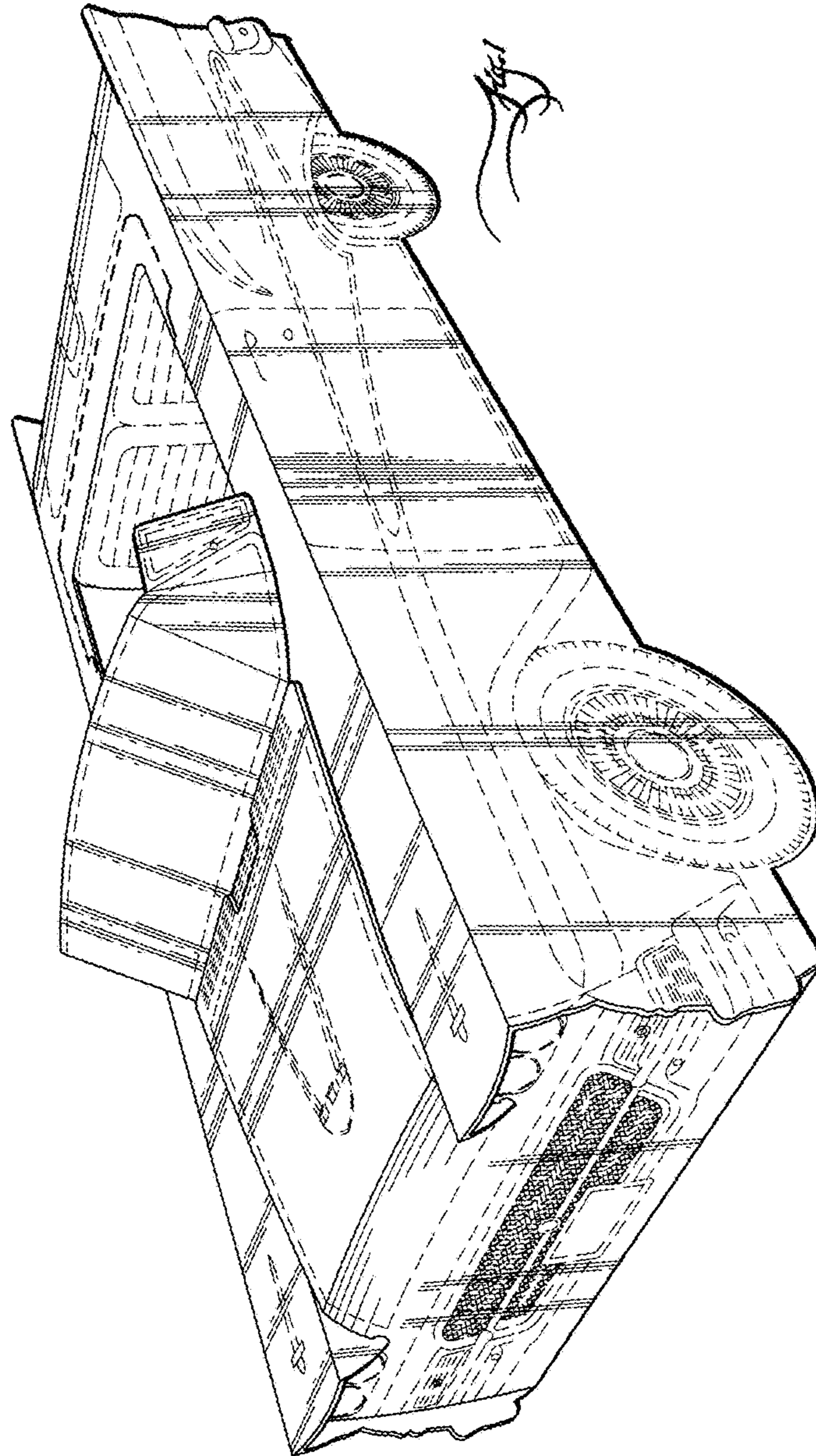
<http://classiccars.com/listings/view/589739/1958-chevrolet-im-pala-for-sale-in-west-okoboji-iowa-51351>.

Daniel Schmitt & Co. Classic Car Gallery, www.schmitt.com/inventory/ds-1958-pontiac-bonneville-convertible, undated.

Thunderbird Ranch, www.tbirdranch.com/6163specific.html.

<http://mecum.com/lot-detail/CA0810-96584/0/1958-Ford-Fairlane-500-Sunliner-convertible/automatic>.

* cited by examiner



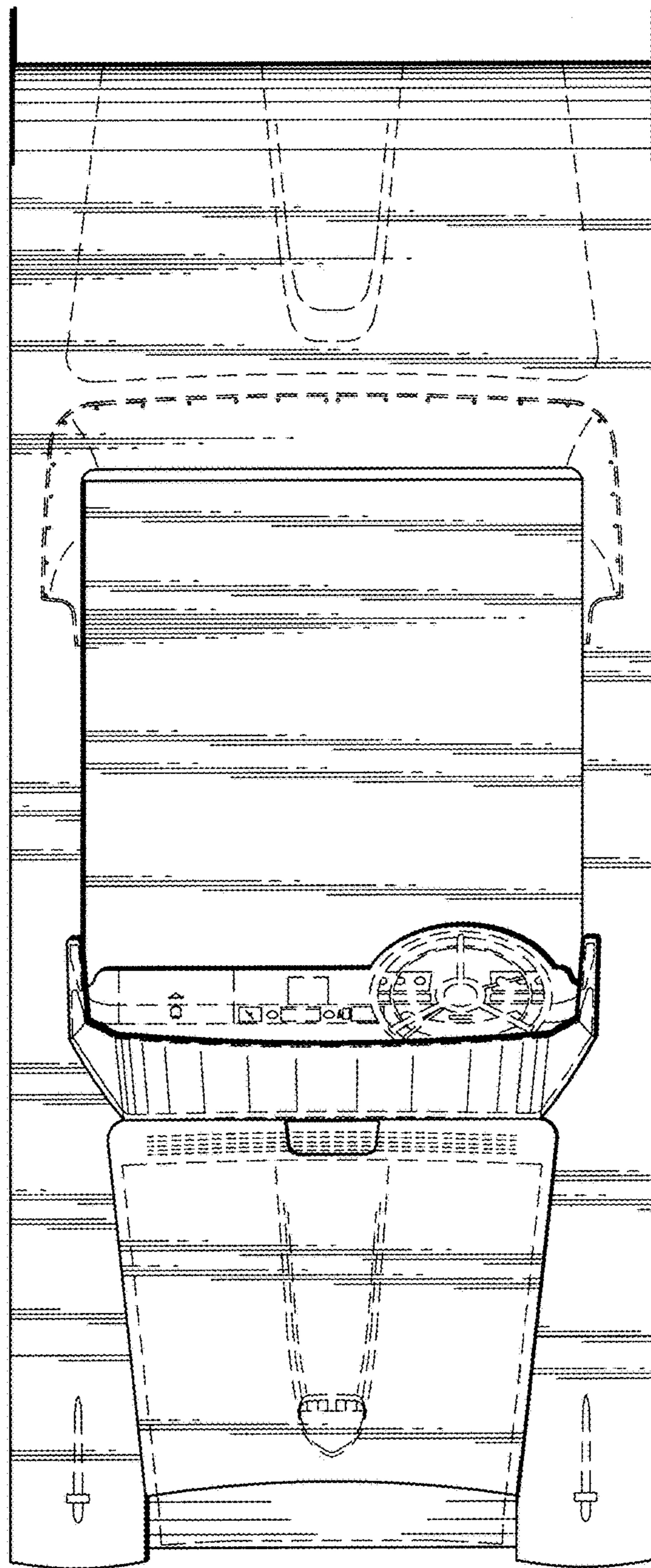
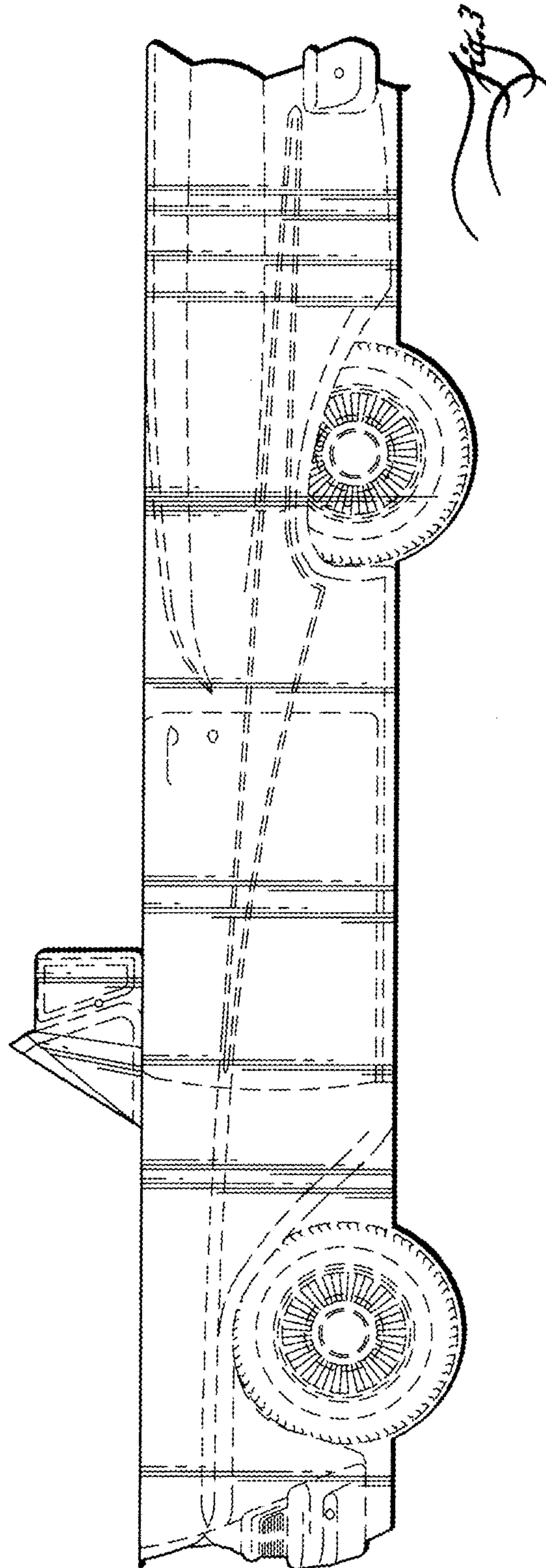


Fig. 2



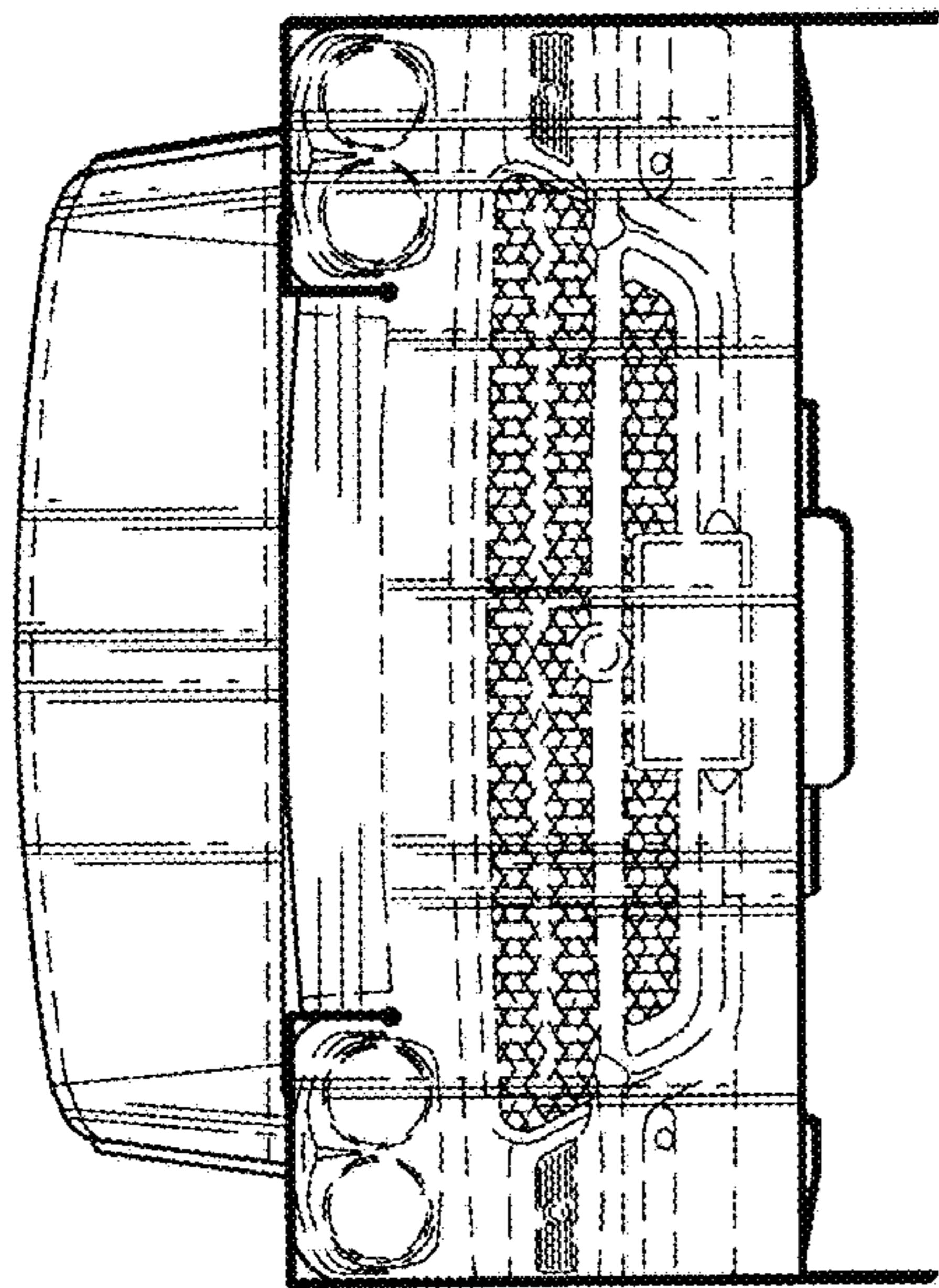


Fig. 4

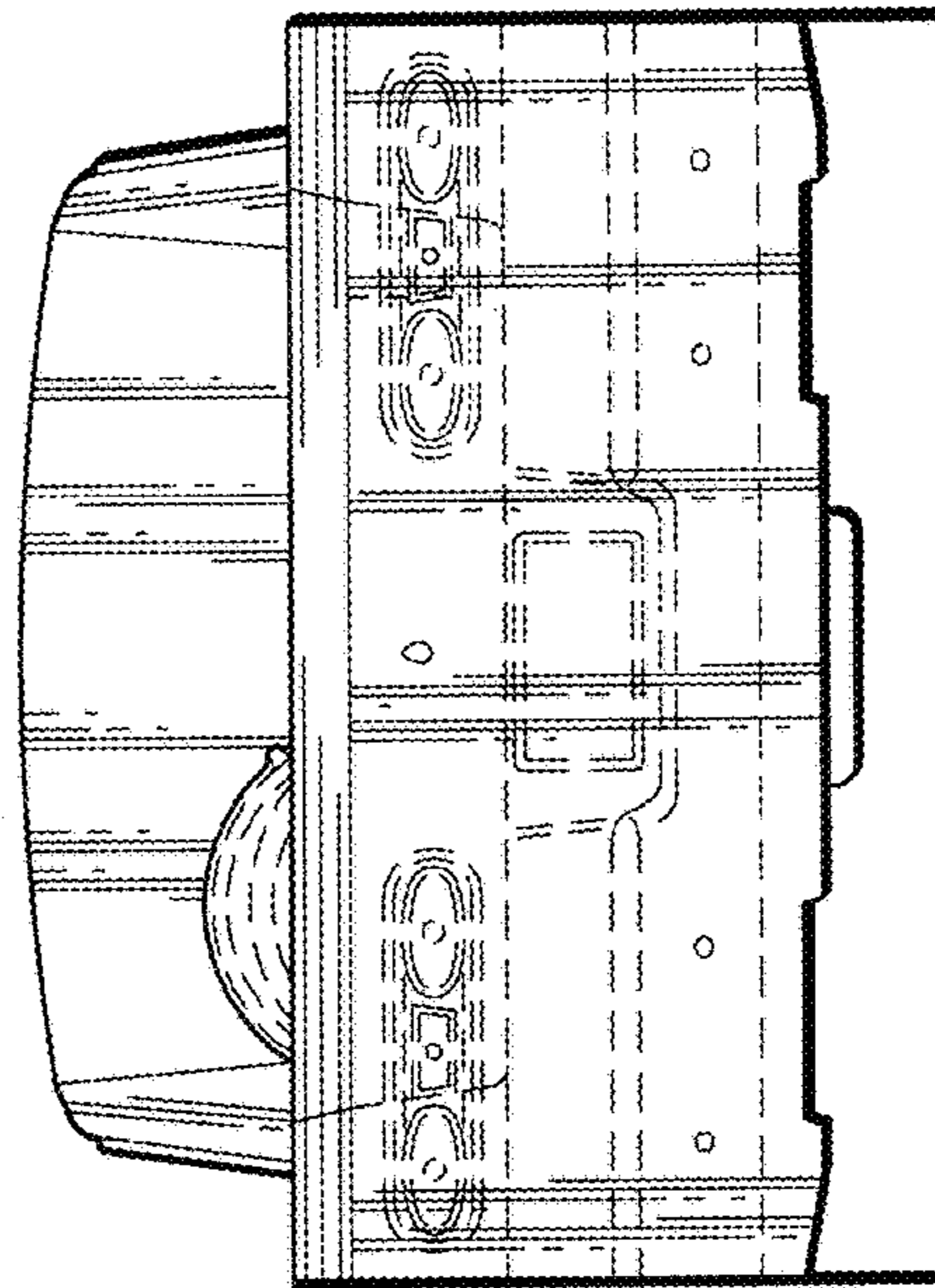


Fig. 5

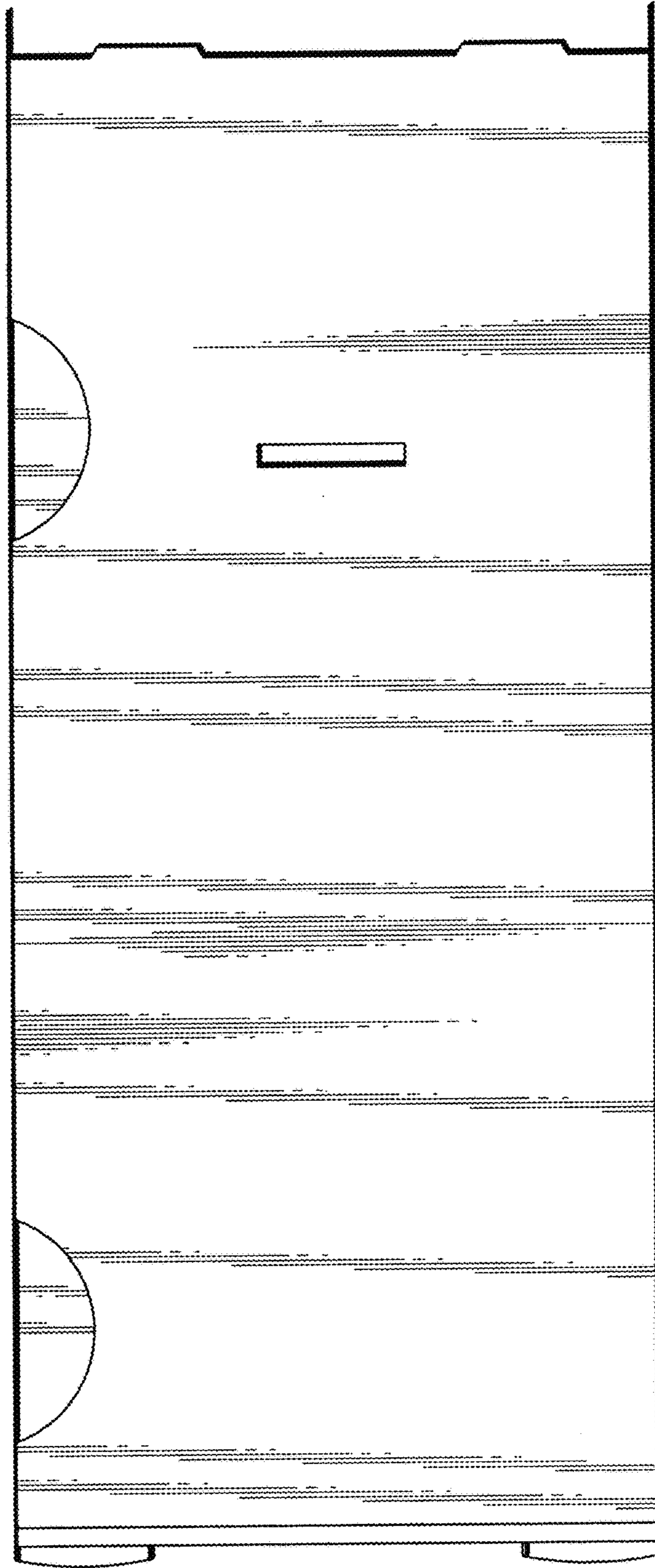


Fig. 5

