



US00D823117S

(12) **United States Design Patent** (10) **Patent No.:** **US D823,117 S**
Buscemi et al. (45) **Date of Patent:** **** Jul. 17, 2018**

(54) **CONTAINER**

(71) Applicant: **Kellogg North America Company**,
Battle Creek, MI (US)

(72) Inventors: **Nicole Buscemi**, Cincinnati, OH (US);
Brian Daniel Guzzi, West Chester, OH (US)

(73) Assignee: **Kellogg North America Company**,
Battle Creek, MI (US)

(**) Term: **14 Years**

(21) Appl. No.: **29/510,050**

(22) Filed: **Nov. 24, 2014**

Related U.S. Application Data

(62) Division of application No. 29/399,968, filed on Aug. 22, 2011, now Pat. No. Des. 720,619.

(51) **LOC (11) Cl.** **09-01**

(52) **U.S. Cl.**
USPC **D9/516; D9/559**

(58) **Field of Classification Search**
USPC D9/516, 522, 529, 541, 549, 559, 414,
D9/424, 428, 454; D7/601-602, 700,
D7/509, 513, 523, 531-532, 300;
D24/121, 207, 224; D34/1
CPC . B65D 1/00; B65D 1/02; B65D 15/02; B65D
15/04; B65D 81/00; B65D 81/3802;
B65D 81/3837
See application file for complete search history.

(56) **References Cited**

U.S. PATENT DOCUMENTS

2,079,177 A * 5/1937 Membrino B65D 15/20
220/662

4,331,709 A 5/1982 Risch et al.
D284,923 S 8/1986 Ritman

D310,171 S 8/1990 Cusenza
D341,315 S 11/1993 Seymour
D345,304 S 3/1994 Leader
5,403,634 A * 4/1995 Mauffette B65D 85/505
206/423

(Continued)

FOREIGN PATENT DOCUMENTS

CN 300787278 6/2008
DE M9604376 1/1997
FR 963021 6/1950

Primary Examiner — Wan Laymon

(74) *Attorney, Agent, or Firm* — Honigman Miller
Schwartz and Cohn LLP; Kelly T. Murphy; Paul
VanderVelde

(57) **CLAIM**

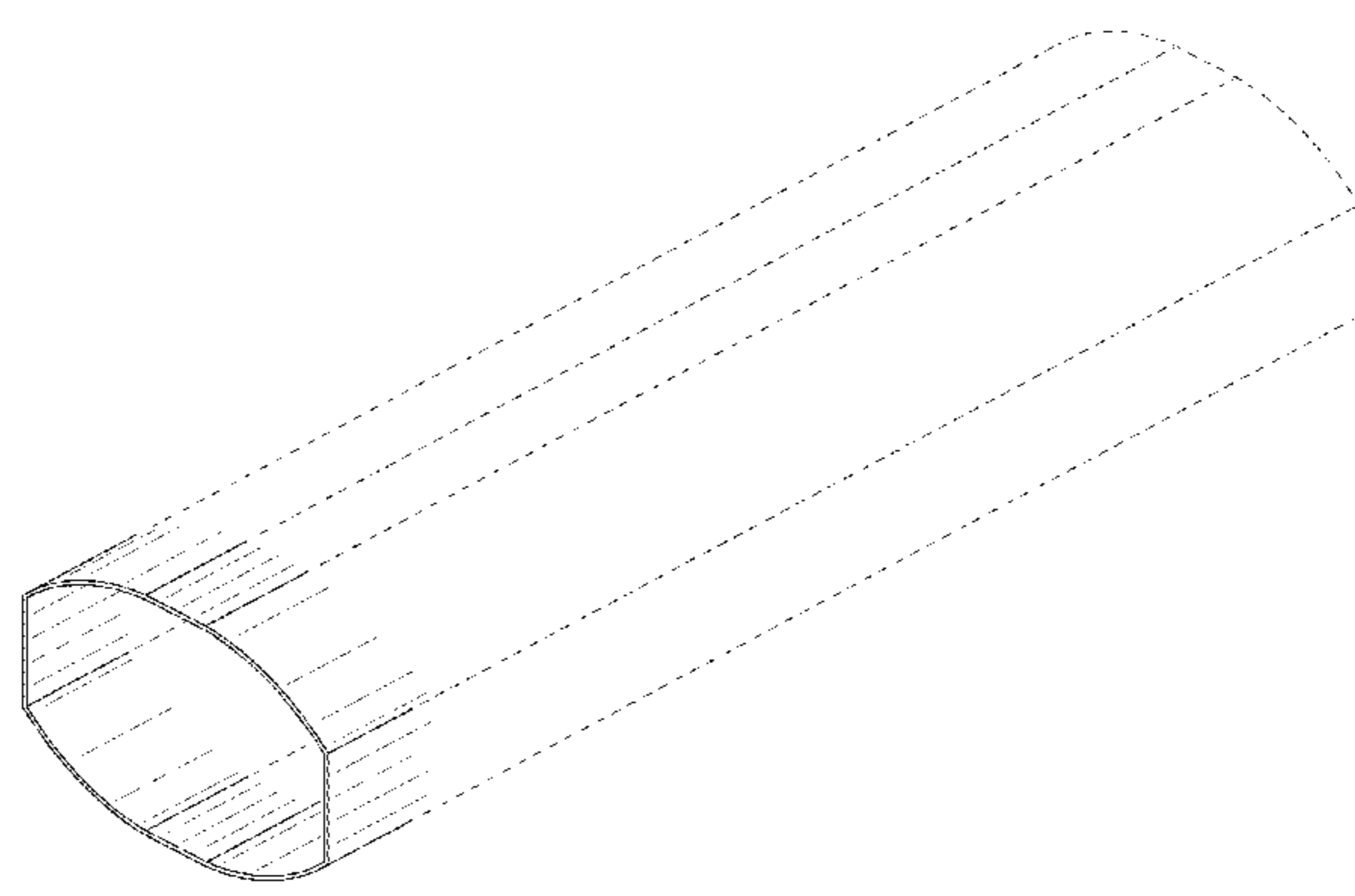
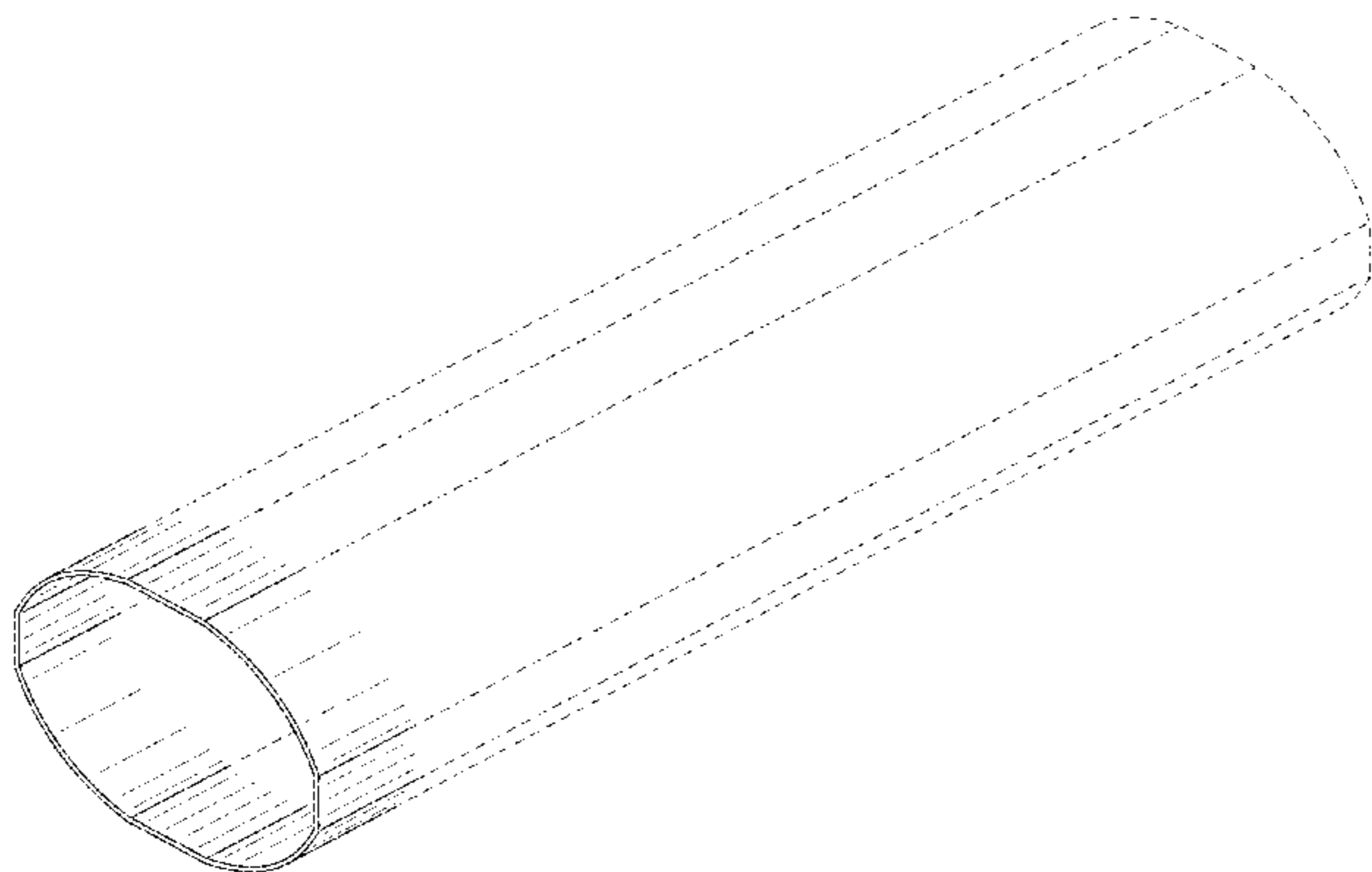
The ornamental design for a container, as shown and described.

DESCRIPTION

FIG. 1 is a perspective view of the container;
FIG. 2 is a front plan view of the container of FIG. 1, the rear plan view being the same as the front plan view;
FIG. 3 is a top plan view of the container of FIG. 1, the bottom plan view being the same as the top plan view;
FIG. 4 is a right side view of the container of FIG. 1; the left side view being a mirror image;
FIG. 5 is a perspective view of an alternate embodiment of the container;
FIG. 6 is a front plan view of the container of FIG. 5, the rear plan view being the same as the front plan view;
FIG. 7 is a top plan view of the container of FIG. 5, the bottom plan view being the same as the top plan view; and,
FIG. 8 is a right side view of the container of FIG. 5; the left side view being a mirror image.

In the drawings, the broken lines depict environmental subject matter only and form no part of the claimed design.

1 Claim, 8 Drawing Sheets



(56)

References Cited

U.S. PATENT DOCUMENTS

D382,446 S	8/1997	Bacon	
D426,153 S	6/2000	Sagel et al.	
D440,875 S	4/2001	Sagel	
D466,809 S	12/2002	Sagel	
D471,102 S	3/2003	Gehring et al.	
D471,806 S	3/2003	Gehring et al.	
D501,636 S	2/2005	Melhede	
D517,852 S *	3/2006	Jalet	D7/300
D562,151 S	2/2008	Larocca et al.	
D596,024 S	7/2009	McCoy et al.	
D613,612 S *	4/2010	D'Amato	D9/561
D645,355 S	9/2011	D'Amato	
D655,183 S	3/2012	Pantelleria et al.	
D725,476 S *	3/2015	Kuzma	D9/541

* cited by examiner

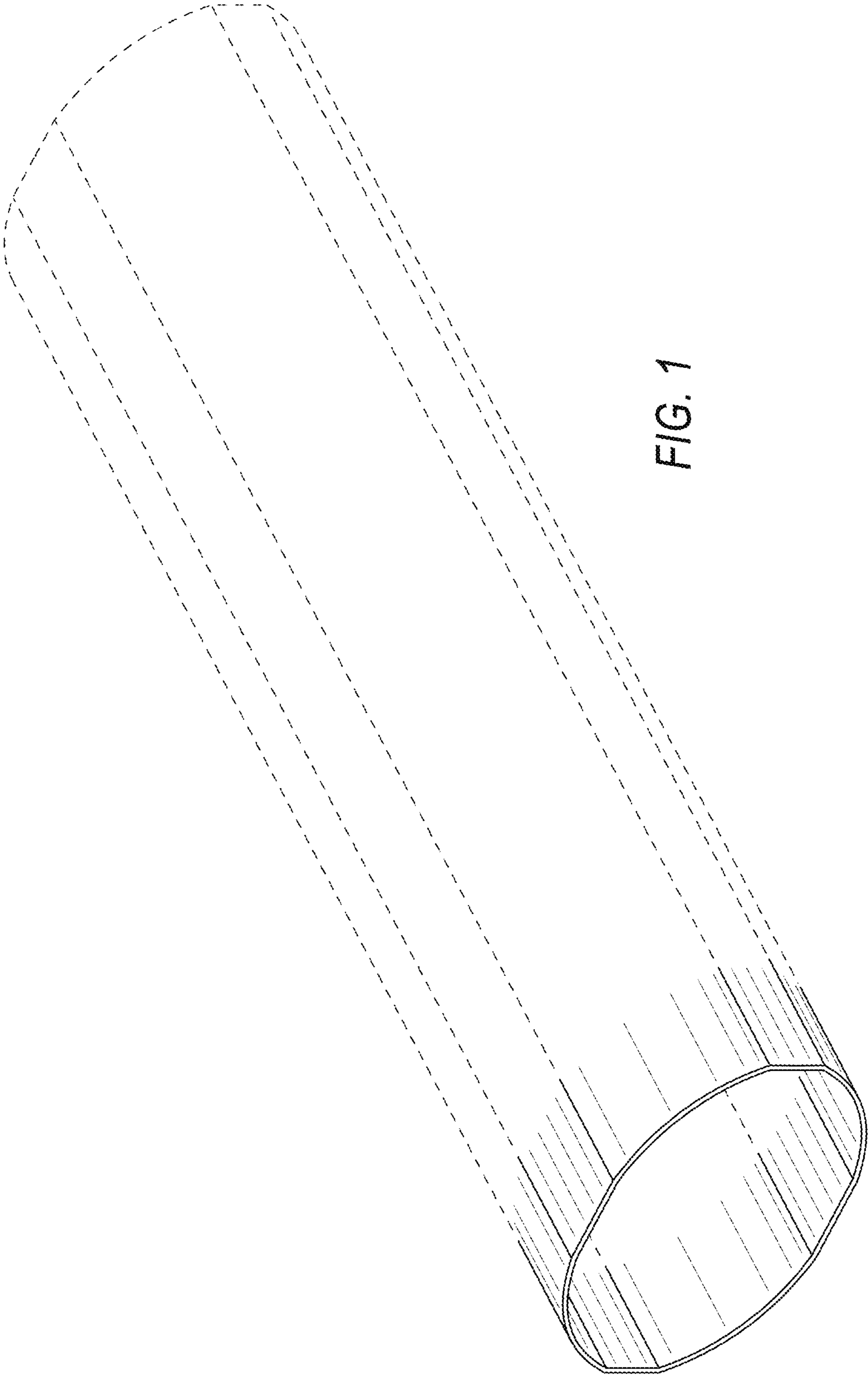


FIG. 1

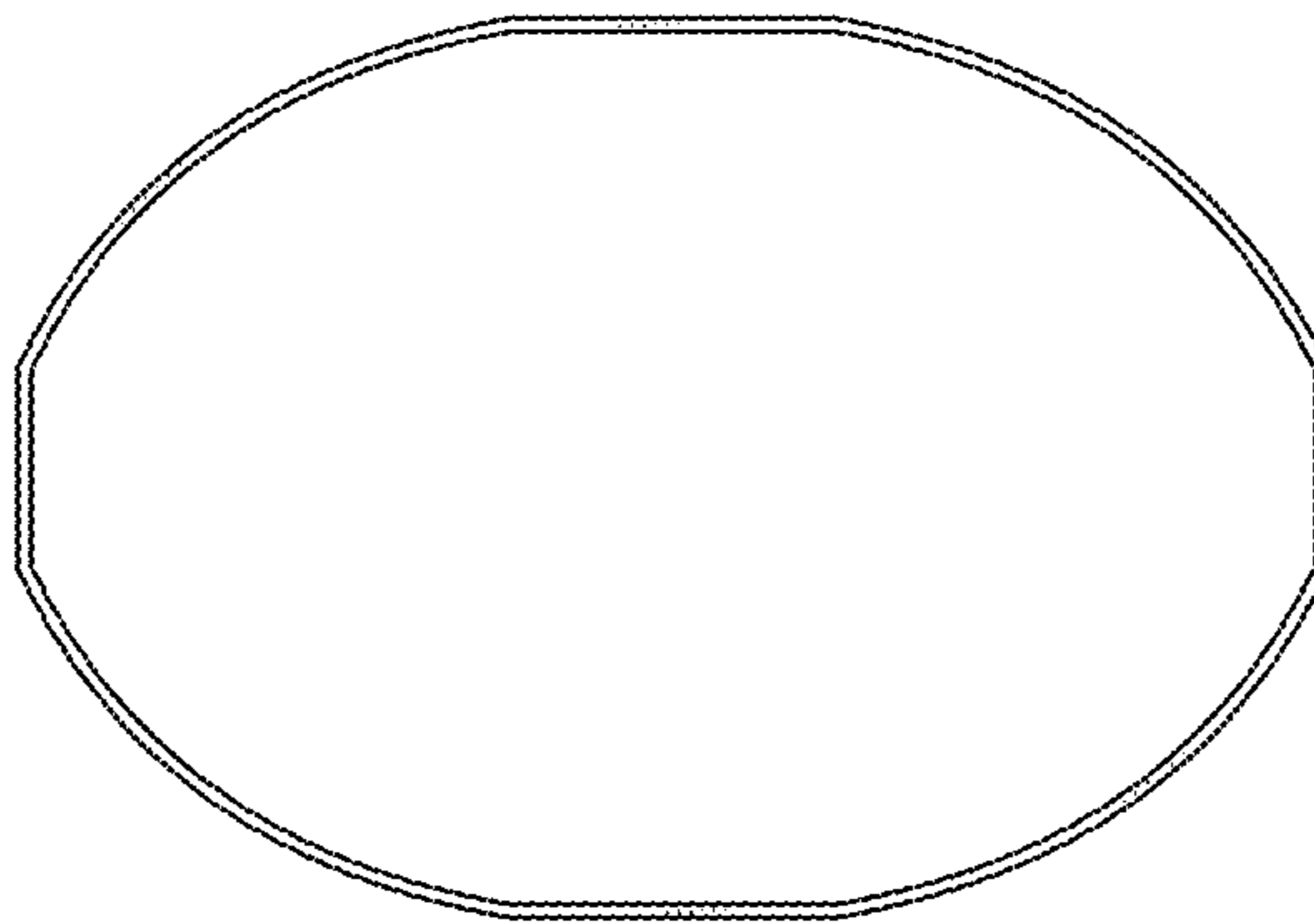


FIG. 2

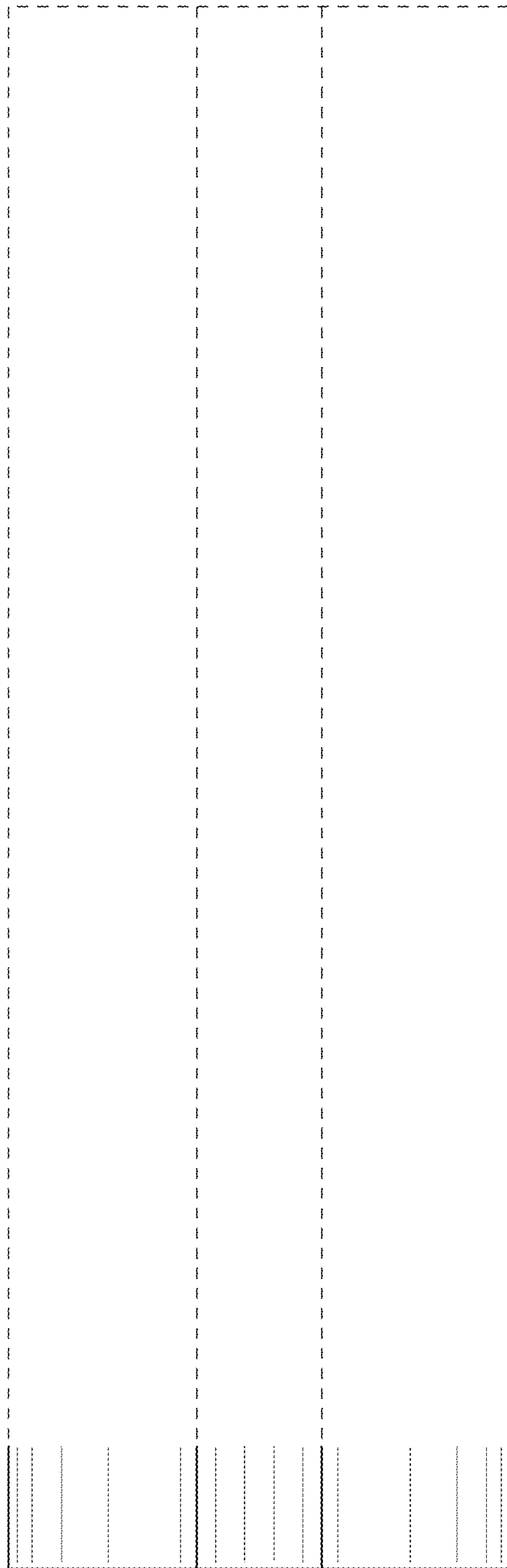


FIG. 3

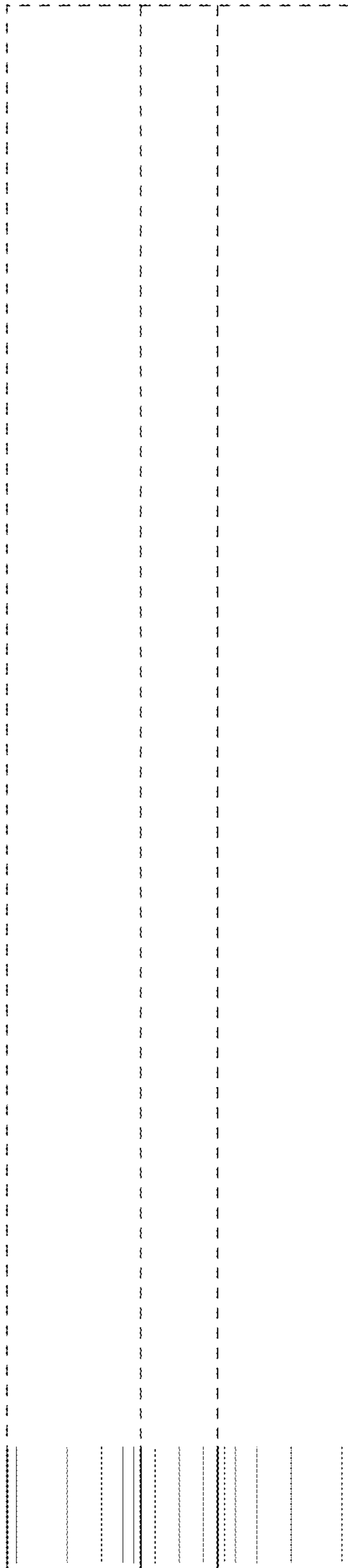


FIG. 4

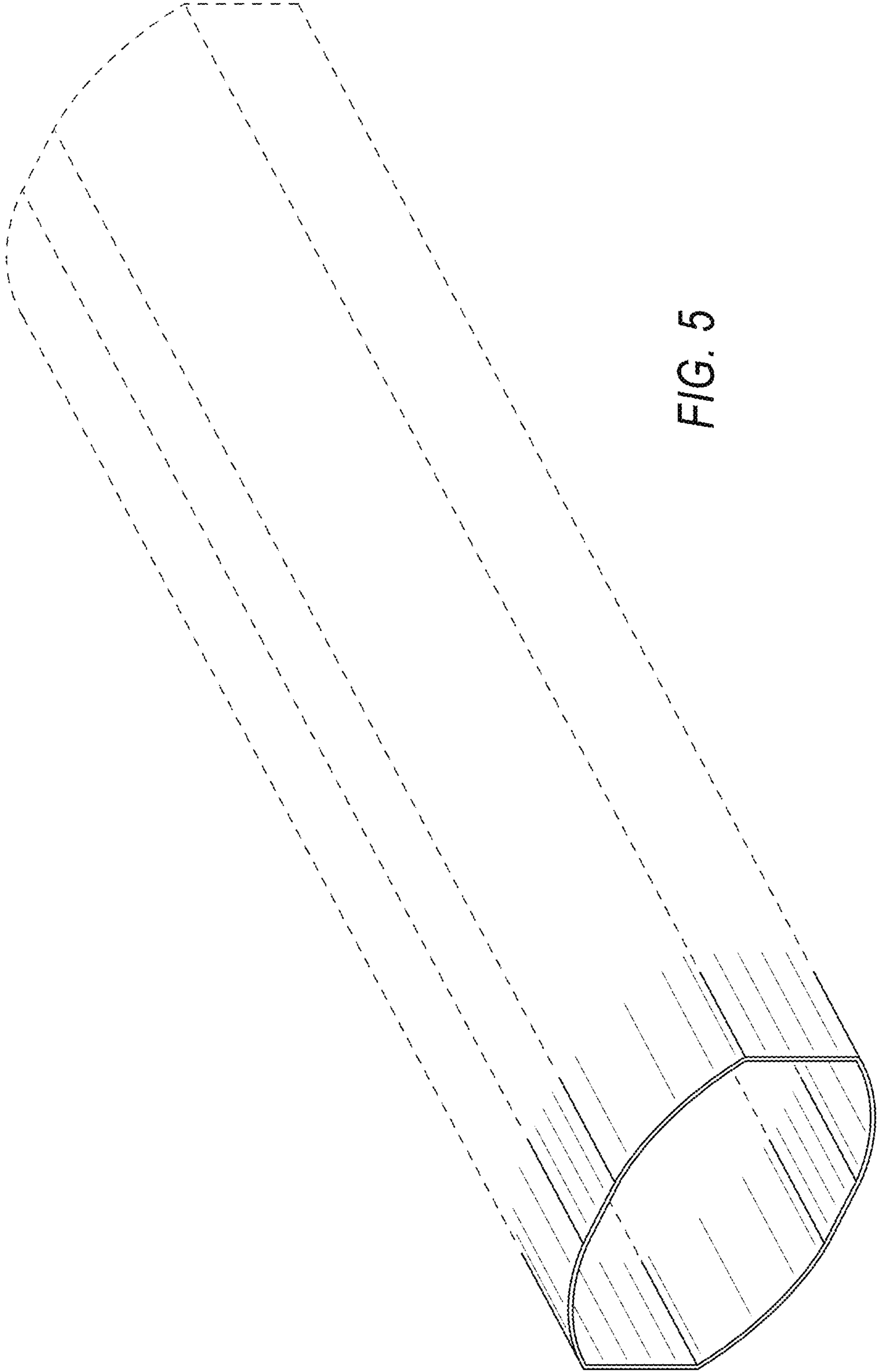


FIG. 5

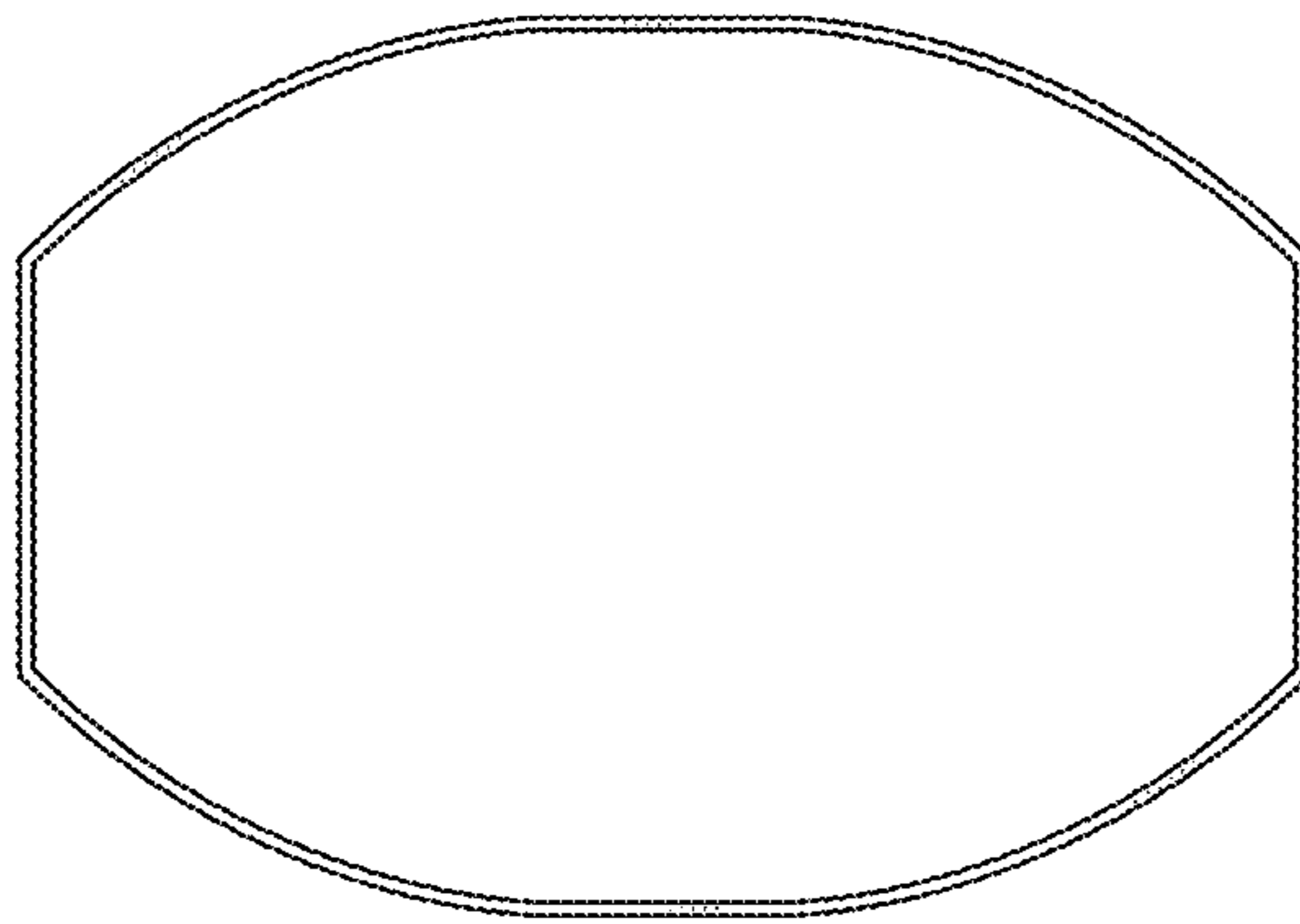


FIG. 6

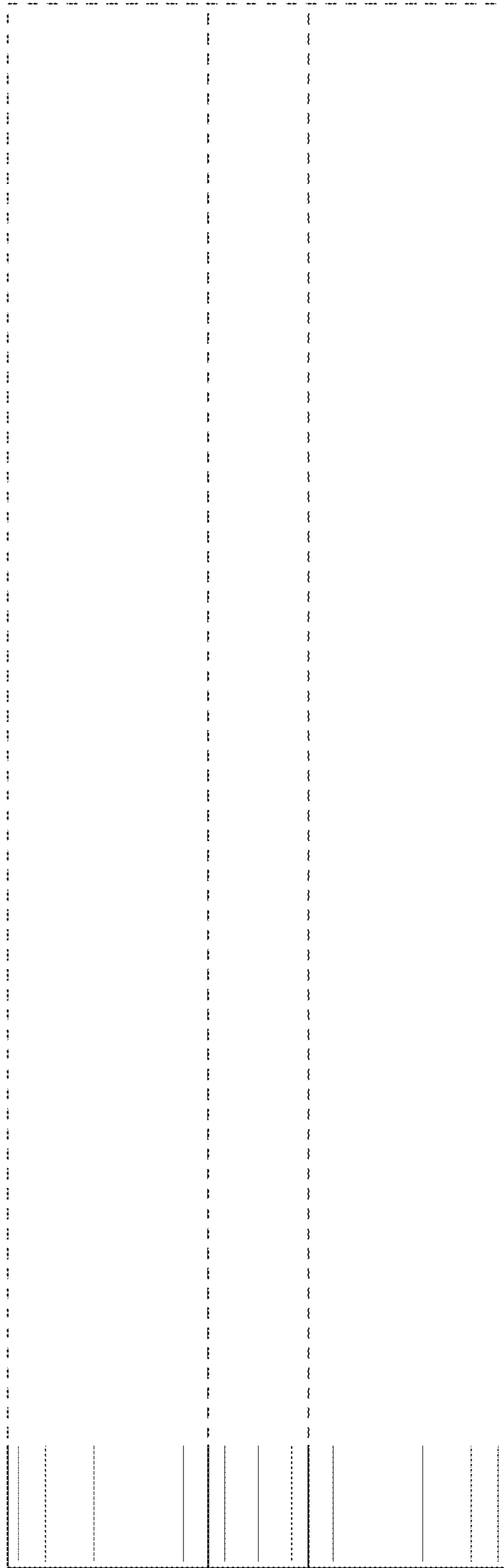


FIG. 7

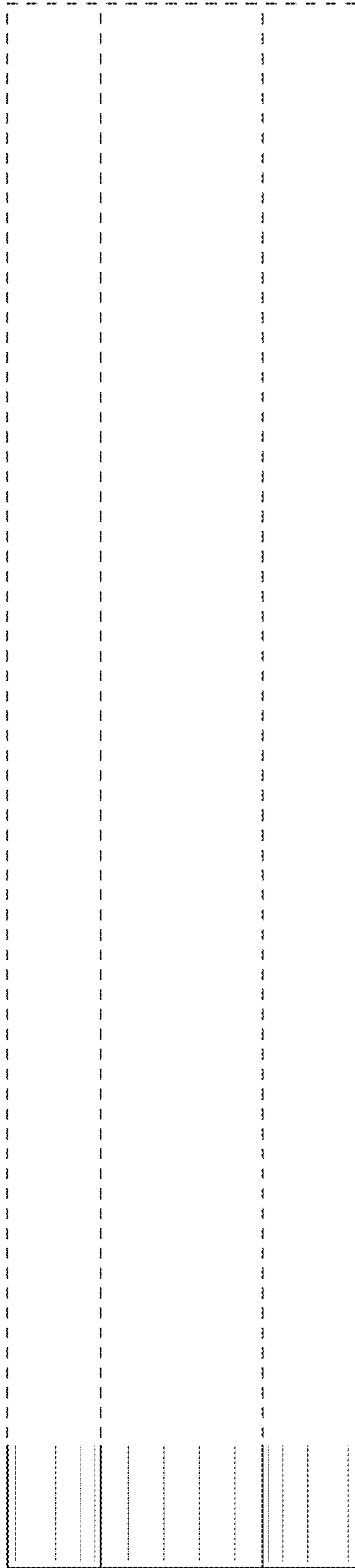


FIG. 8