

US00D823116S

(12) **United States Design Patent** (10) **Patent No.:** **US D823,116 S**  
**Phipps et al.** (45) **Date of Patent:** **\*\* Jul. 17, 2018**

(54) **DISPENSER COVER SIMULATING A SHELL**

(71) Applicant: **DoseLogix, LLC**, Woodstock, GA (US)

(72) Inventors: **Timothy Gayle Phipps**, Woodstock, GA (US); **Dale Melton Coker**, Woodstock, GA (US); **Daniel Lee DeYoung**, Woodstock, GA (US); **Ellen Brown**, Marietta, GA (US)

(73) Assignee: **DoseLogix, LLC**, Woodstock, GA (US)

(\*\*) Term: **15 Years**

(21) Appl. No.: **29/582,813**

(22) Filed: **Oct. 31, 2016**

**Related U.S. Application Data**

(63) Continuation of application No. 29/529,088, filed on Jun. 3, 2015, now Pat. No. Des. 772,066.

(51) **LOC (11) Cl.** ..... **09-07**

(52) **U.S. Cl.**  
USPC ..... **D9/451; D9/666**

(58) **Field of Classification Search**  
USPC ..... D3/318; D7/213, 300, 317, 387, 397, D7/398, 401.1, 590, 539; D8/300, 310,  
(Continued)

(56) **References Cited**

**U.S. PATENT DOCUMENTS**

D19,586 S 1/1890 Smith  
D21,197 S \* 12/1891 Hess ..... D8/312  
(Continued)

**FOREIGN PATENT DOCUMENTS**

EP 858271 B1 3/2000  
WO 9716088 A1 5/1997  
(Continued)

**OTHER PUBLICATIONS**

YouTube. Real Seashell Ring Box take 2—Paul Pape Designs. Jun. 9, 2013 [earliest online date], [site visited Jan. 29, 2018]. Available from Internet, <URL:https://www.youtube.com/watch?v=389UvZ36X6c>. (Year: 2013).\*

(Continued)

*Primary Examiner* — Eric L Goodman  
*Assistant Examiner* — Darcey E Heflin

(74) *Attorney, Agent, or Firm* — Kilpatrick Townsend & Stockton LLP

(57) **CLAIM**

The ornamental design for a dispenser cover simulating a shell, as shown and described.

**DESCRIPTION**

FIG. 1 is a front perspective view of a dispenser cover simulating a shell with the shell dispenser cover in a closed position.

FIG. 2 is a front elevation view of the dispenser cover simulating a shell of FIG. 1.

FIG. 3 is a rear elevation view of the dispenser cover simulating a shell of FIG. 1.

FIG. 4 is a left side elevation view of the dispenser cover simulating a shell of FIG. 1, the right side elevation view being a mirror image of the left side elevation view.

FIG. 5 is a top plan view of the dispenser cover simulating a shell of FIG. 1.

FIG. 6 is a bottom plan view of the dispenser cover simulating a shell of FIG. 1.

FIG. 7 is a front perspective view of the dispenser cover simulating a shell of FIG. 1 with the dispenser cover simulating a shell in an open position.

FIG. 8 is a front elevation view of the dispenser cover simulating a shell of FIG. 1 with the dispenser cover simulating a shell in an open position.

FIG. 9 is a rear elevation view of the dispenser cover simulating a shell of FIG. 1 with the dispenser cover simulating a shell in an open position.

(Continued)

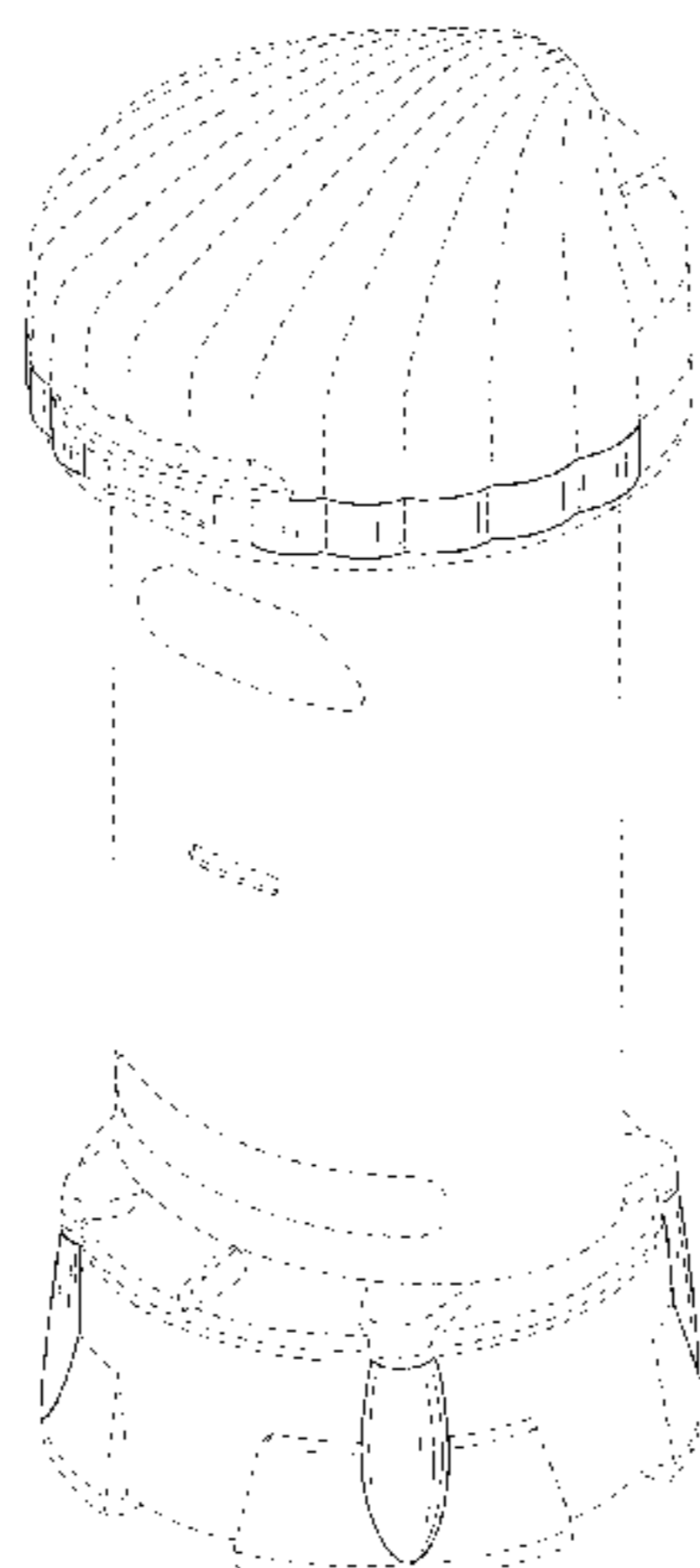


FIG. 10 is a left side elevation view of the dispenser cover simulating a shell of FIG. 1 with the dispenser cover simulating a shell in an open position, the right side elevation view being a mirror image of the left side elevation view.

FIG. 11 is a top plan view of the dispenser cover simulating a shell of FIG. 1 with the dispenser cover simulating a shell in an open position.

FIG. 12 is a bottom plan view of the dispenser cover simulating a shell of FIG. 1 with the dispenser cover simulating a shell in an open position.

FIG. 13 is a front perspective view of the dispenser cover simulating a shell of FIG. 1.

FIG. 14 is a front elevation view of the dispenser cover simulating a shell of FIG. 1.

FIG. 15 is a rear elevation view of the dispenser cover simulating a shell of FIG. 1.

FIG. 16 is a left side elevation view of the dispenser cover simulating a shell of FIG. 1, the right side elevation view being a mirror image of the left side elevation view.

FIG. 17 is a top plan view of the dispenser cover simulating a shell of FIG. 1.

FIG. 18 is a bottom plan view of the dispenser cover simulating a shell of FIG. 1.

FIG. 19 is a front perspective view of the dispenser cover simulating a shell of FIG. 1 with the dispenser cover simulating a shell in an open position.

FIG. 20 is a front elevation view of the dispenser cover simulating a shell of FIG. 1 with the dispenser cover simulating a shell in an open position.

FIG. 21 is a rear elevation view of the dispenser cover simulating a shell of FIG. 1 with the dispenser cover simulating a shell in an open position.

FIG. 22 is a left side elevation view of the dispenser cover simulating a shell of FIG. 1 with the dispenser cover simulating a shell in an open position, the right side elevation view being a mirror image of the left side elevation view.

FIG. 23 is a top plan view of the dispenser cover simulating a shell of FIG. 1 with the dispenser cover simulating a shell in an open position; and,

FIG. 24 is a bottom plan view of the dispenser cover simulating a shell of FIG. 1 with the dispenser cover simulating a shell in an open position.

The claim is limited to the shaded surfaces only.

In the drawings, the broken lines showing portions of a dispenser cover simulating a shell depict environment and form no part of the claim.

**1 Claim, 20 Drawing Sheets**

(58) **Field of Classification Search**

USPC ..... D8/312, 321; D9/434–436, 439, 440, D9/442, 443, 445, 447, 448, 452–454, D9/499, 441, 451, 564, 600, 666, 446; D23/208, 260; D11/157; D28/79, 80

CPC ..... B65D 81/366

See application file for complete search history.

(56)

**References Cited**

U.S. PATENT DOCUMENTS

D79,445	S	*	9/1929	Solon .....	D7/539
D93,591	S		10/1934	Wewetzer	
D115,881	S		7/1939	Lewis	
D166,238	S		3/1952	Bedinger	
D175,832	S		10/1955	Gerson	
D178,225	S	*	7/1956	Du Pree .....	D7/317
2,869,546	A		1/1959	Cantor	
3,910,442	A		10/1975	Gargano	
D243,430	S		2/1977	Thrush	
D248,217	S	*	6/1978	Allen .....	D9/443
D253,514	S		11/1979	Etelson	
D255,096	S		5/1980	Etelson	
D267,546	S	*	1/1983	Manlove .....	D9/445
D270,386	S	*	8/1983	Lee .....	D28/80
D281,042	S	*	10/1985	Antoni .....	D7/539
D281,350	S	*	11/1985	Heier .....	D23/260
D300,510	S		4/1989	Mason, Jr.	
D303,724	S	*	9/1989	Horng .....	D28/80
D308,021	S		5/1990	Natori	
D314,842	S		2/1991	Fleming	
5,374,263	A		12/1994	Weiler	
D371,743	S		7/1996	Wacker	
D373,931	S	*	9/1996	Whitehead .....	D7/539
D501,188	S		1/2005	Zhu	
D543,456	S	*	5/2007	Muhlemann .....	D9/452
7,213,994	B2		5/2007	Phipps et al.	
D557,605	S	*	12/2007	Reber, II .....	D9/453
D610,678	S		2/2010	Kawamura	
8,308,678	B2		11/2012	Swick	
D679,195	S		4/2013	Markham	
D681,459	S	*	5/2013	Ramsey .....	D9/452
D688,830	S		8/2013	Friedman	
D693,220	S	*	11/2013	Luo .....	B65D 55/00 D9/439
D710,699	S	*	8/2014	Phelps .....	D9/452
D760,077	S	*	6/2016	Rye .....	D9/436
D763,096	S	*	8/2016	Jerez Quintana .....	D9/538
D772,066	S	*	11/2016	Phipps .....	D9/451
2005/0054991	A1		3/2005	Tobyn et al.	
2007/0000946	A1		1/2007	Phipps et al.	
2012/0205393	A1		8/2012	Perez et al.	
2017/0209896	A1		7/2017	Phipps	

FOREIGN PATENT DOCUMENTS

WO	2012131320	A2	10/2012
WO	2016061400		4/2016

OTHER PUBLICATIONS

U.S. Appl. No. 29/529,088, "Notice of Allowance", dated Jul. 12, 2016, 11 pages.

PCT/US2015/055814, "International Search Report and Written Opinion", dated Mar. 15, 2016, 28 pages.

PCT/US2015/055814, "Invitation to Pay Additional Fees and Partial Search Report", dated Jan. 14, 2016, 9 pages.

Terapeak, "Estee Lauder Golden Seashell Compact", Available from Internet, <URL:http://www.terapeak.com/worth/estee-lauder-golden-seashell-compact/191672034924/>, Dec. 12, 2015.

PCT/US2015/055814, "International Preliminary Report on Patentability", dated Apr. 27, 2017, 20 pages.

\* cited by examiner



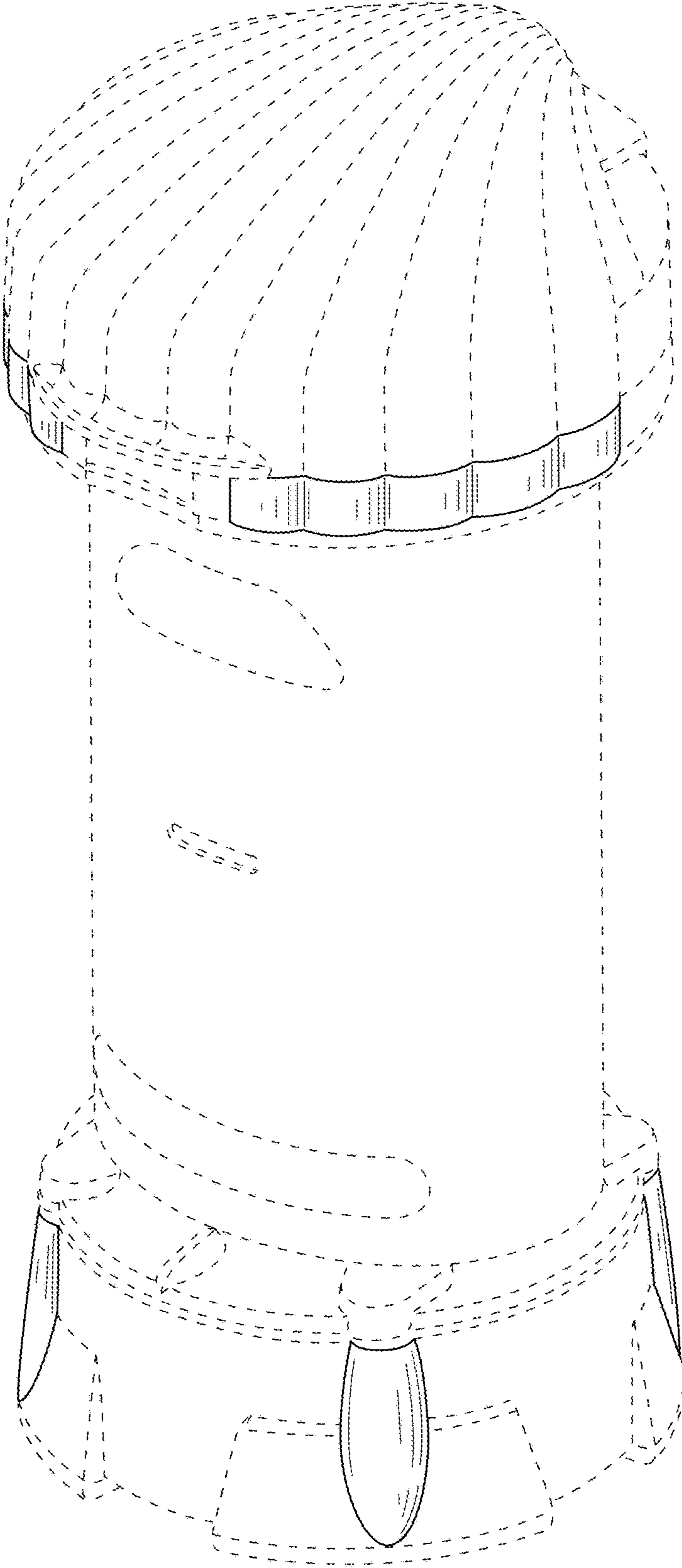


FIG. 1

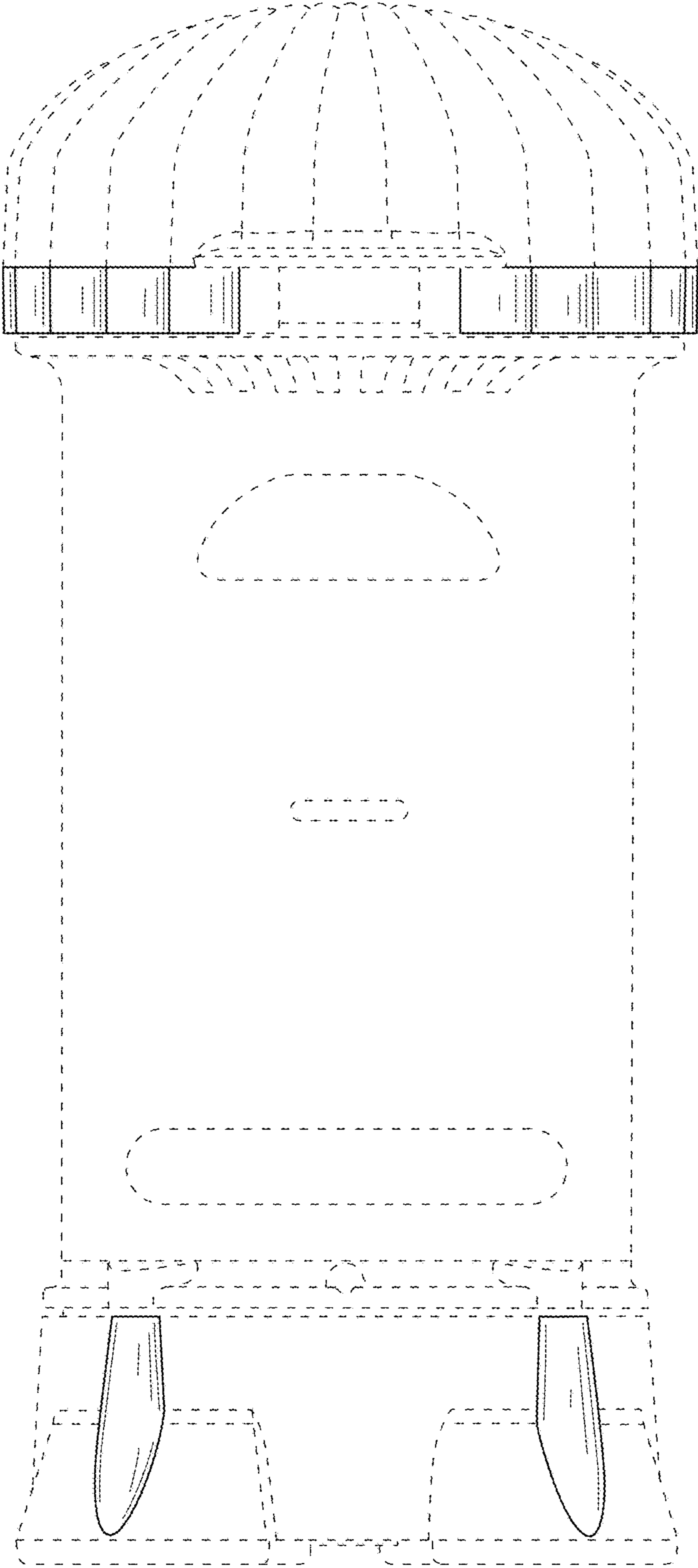


FIG. 2



FIG. 3

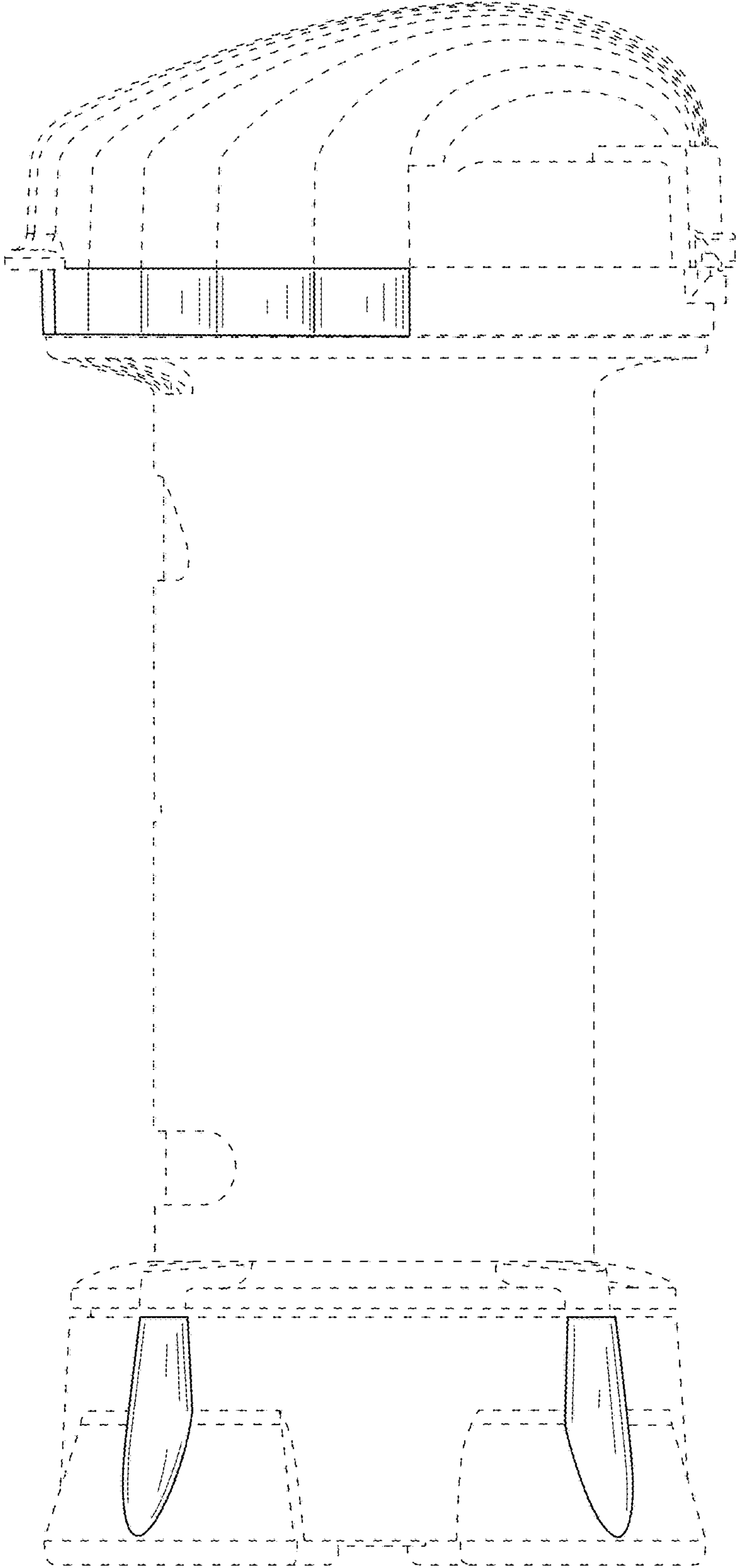
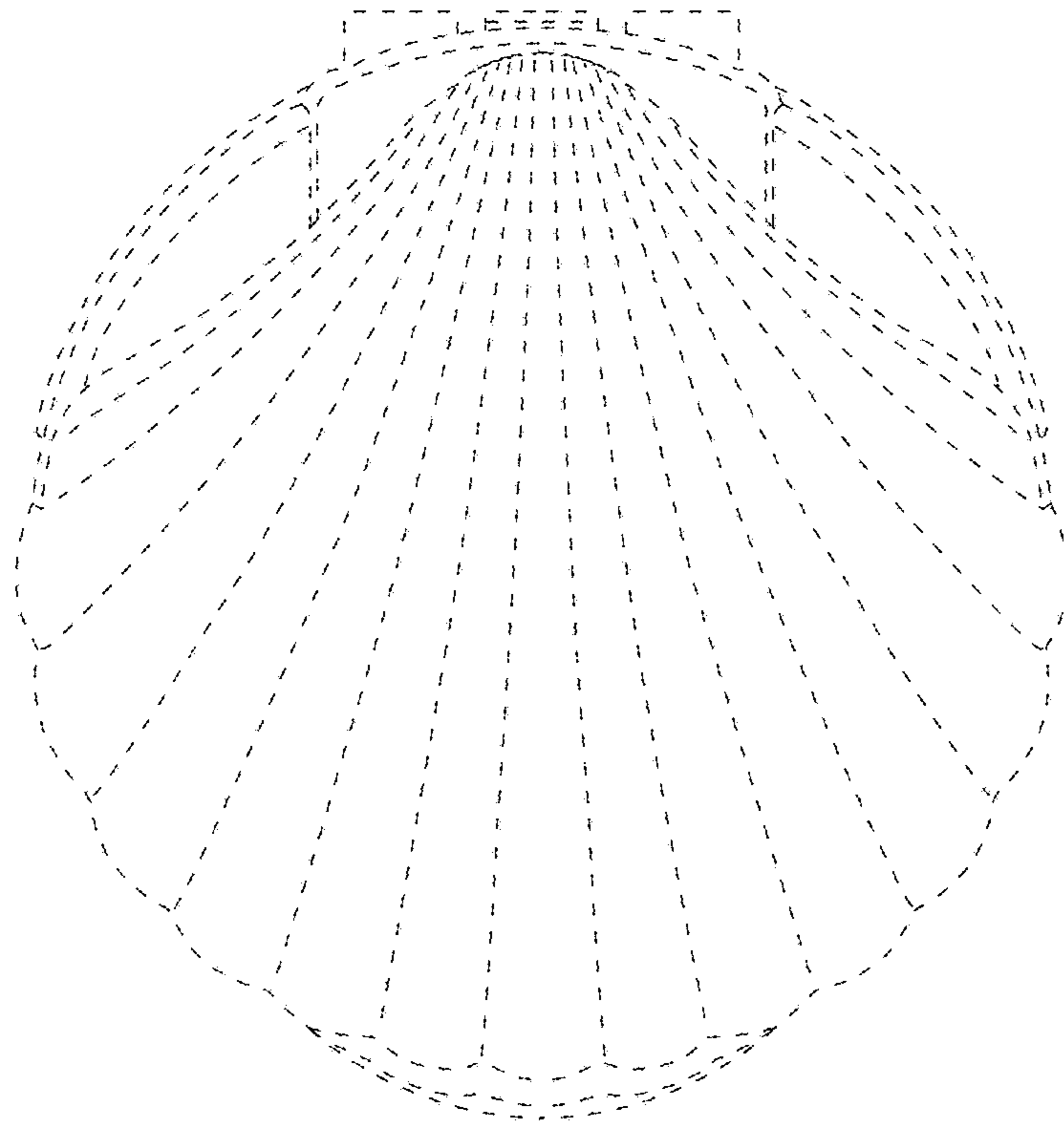
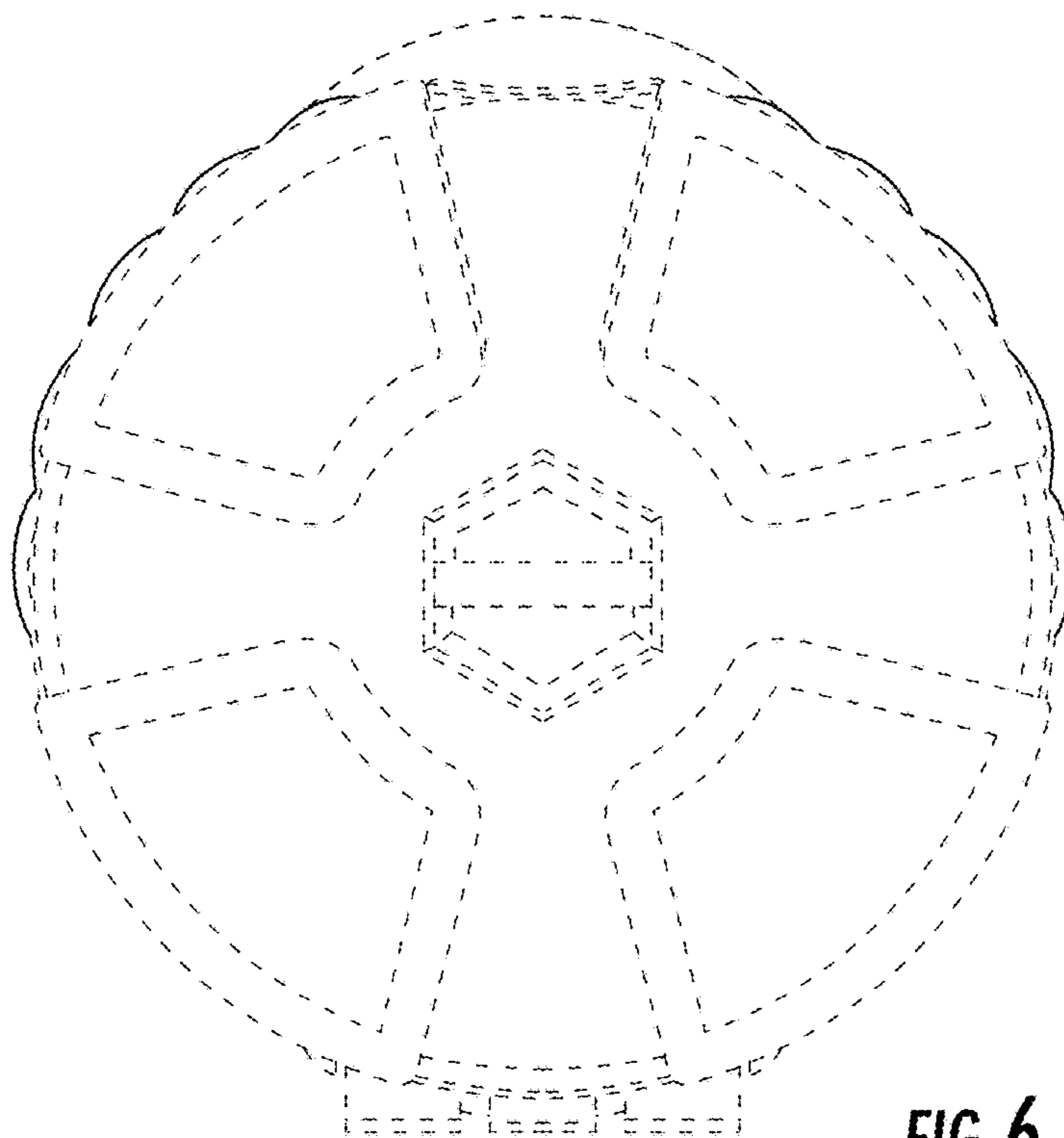


FIG. 4



**FIG. 5**



**FIG. 6**

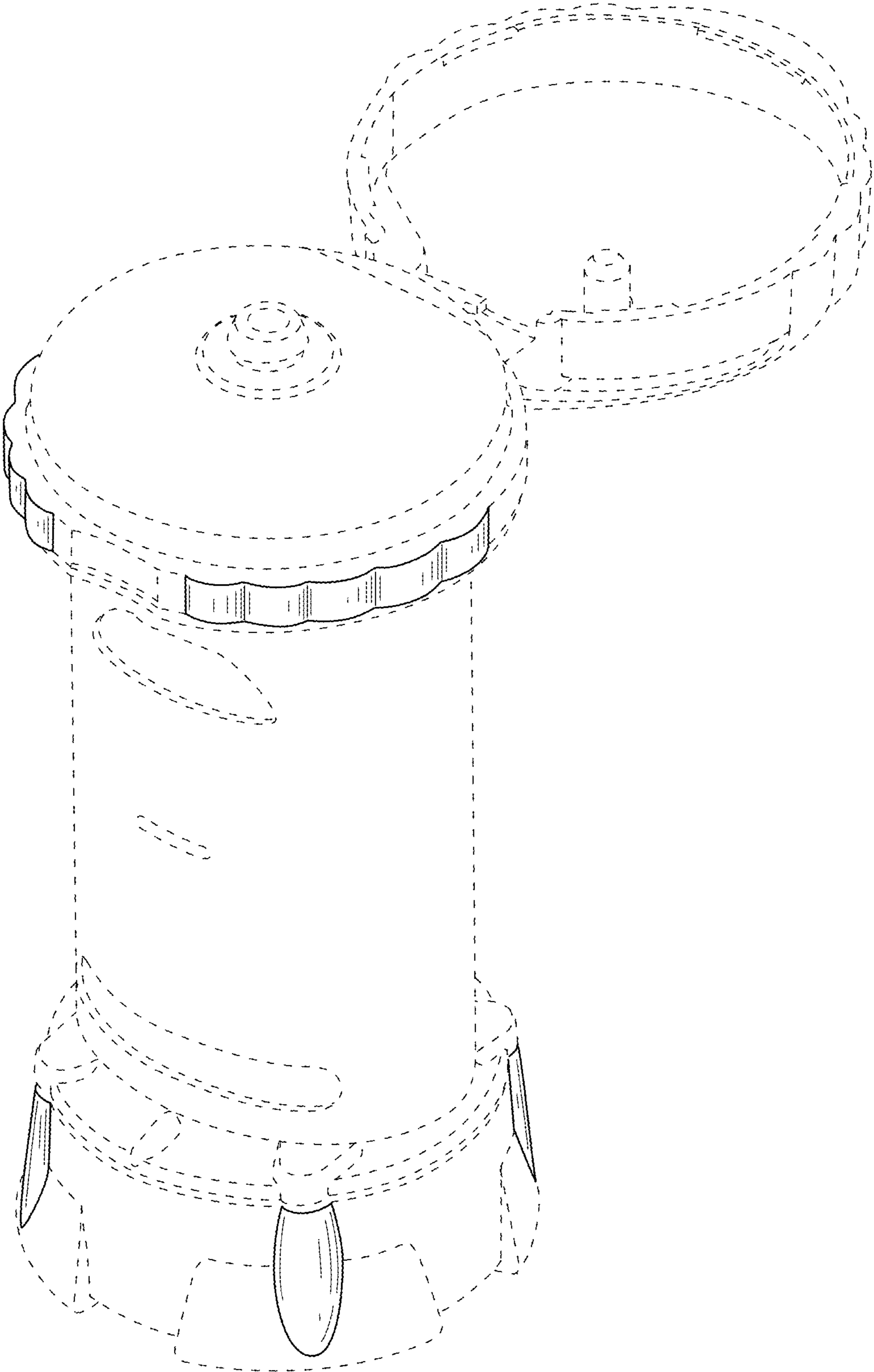
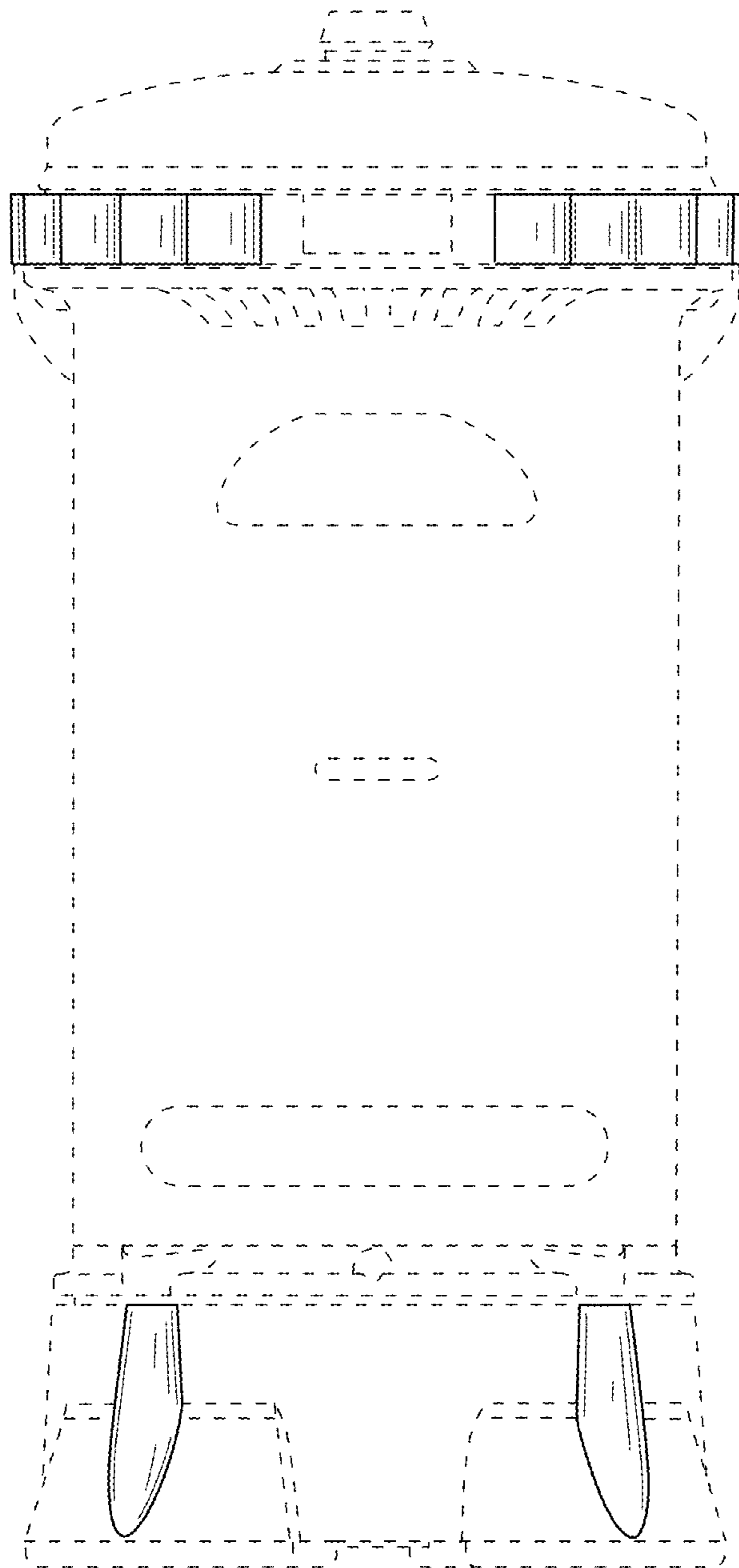
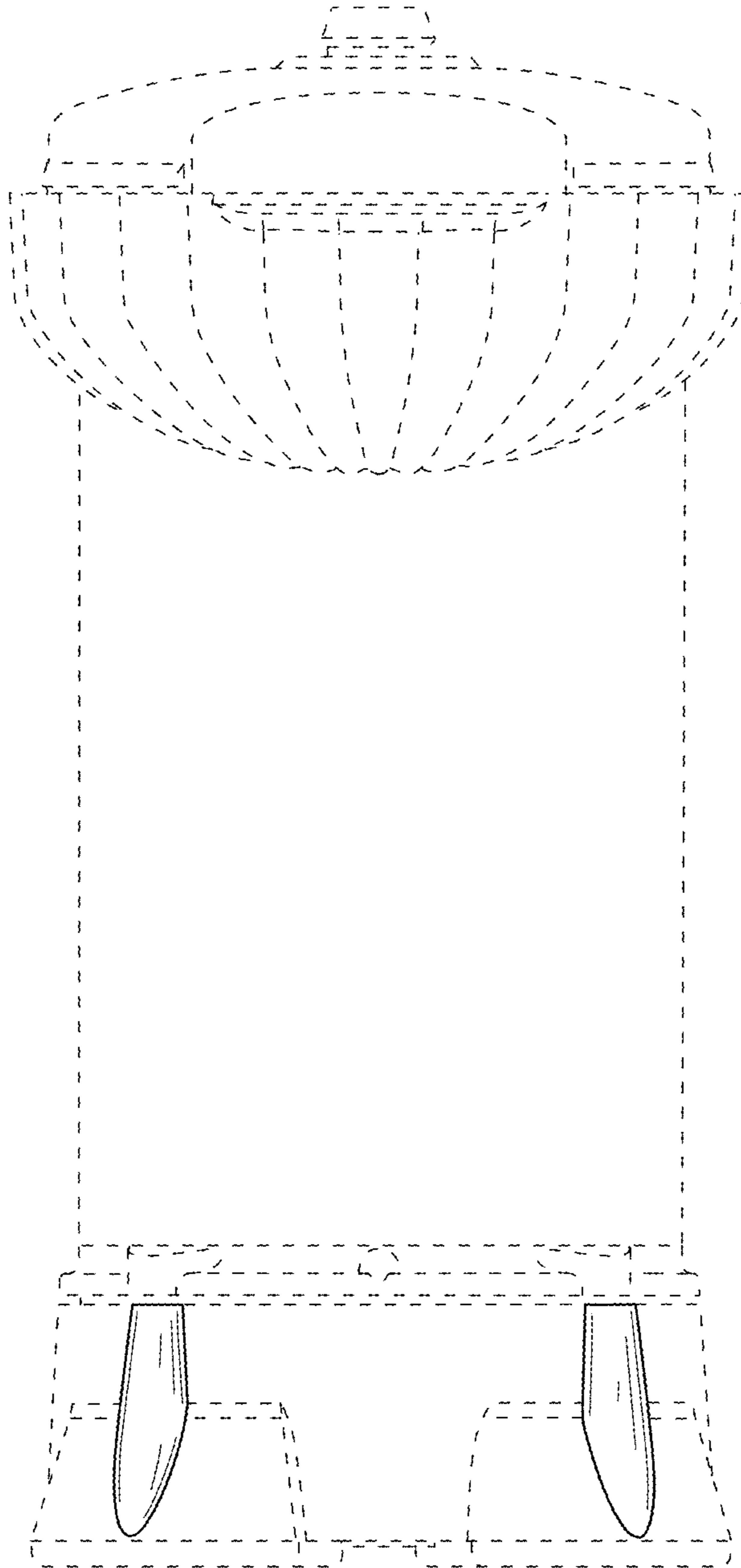


FIG. 7





**FIG. 8**



**FIG. 9**

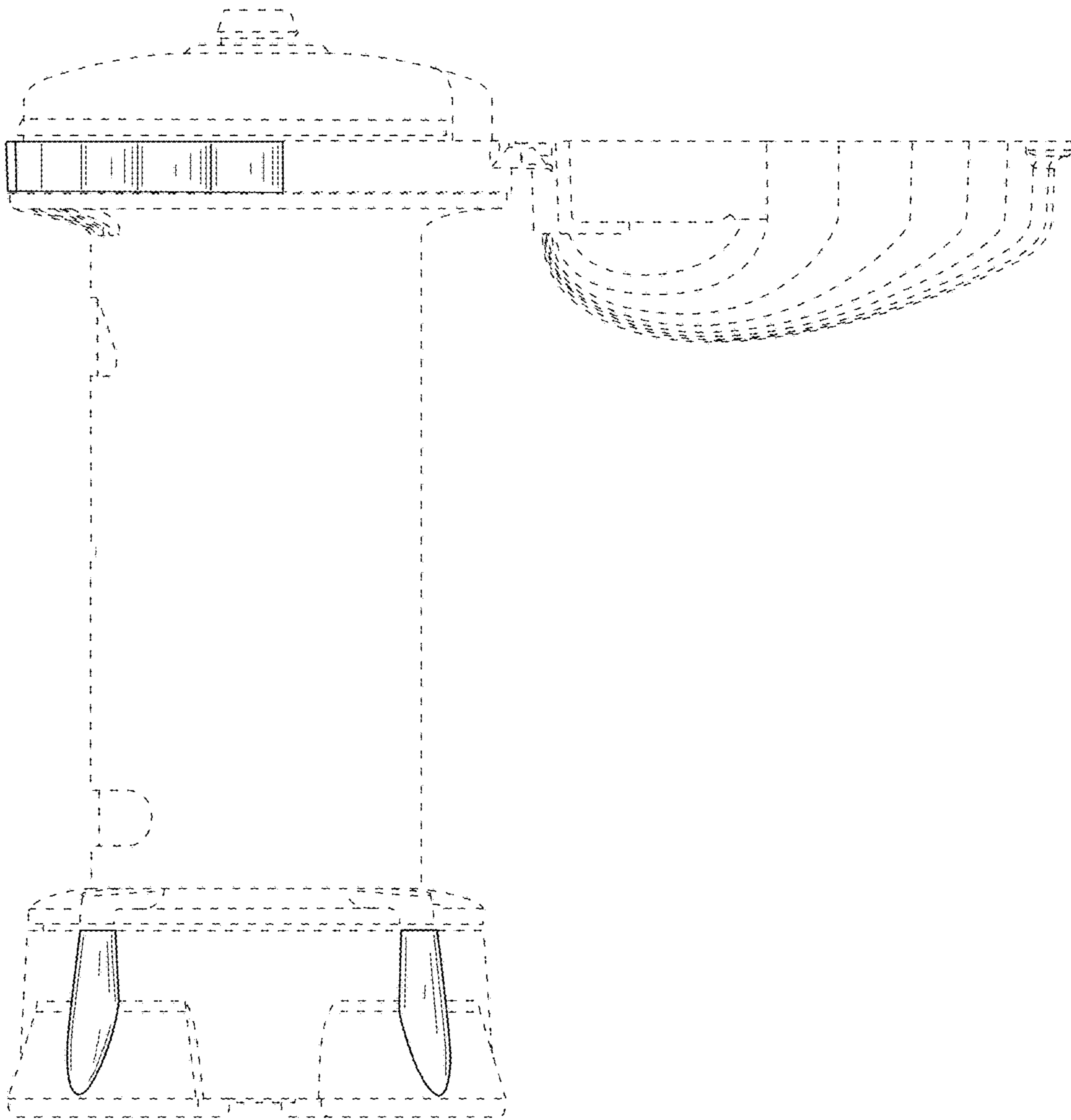


FIG. 10

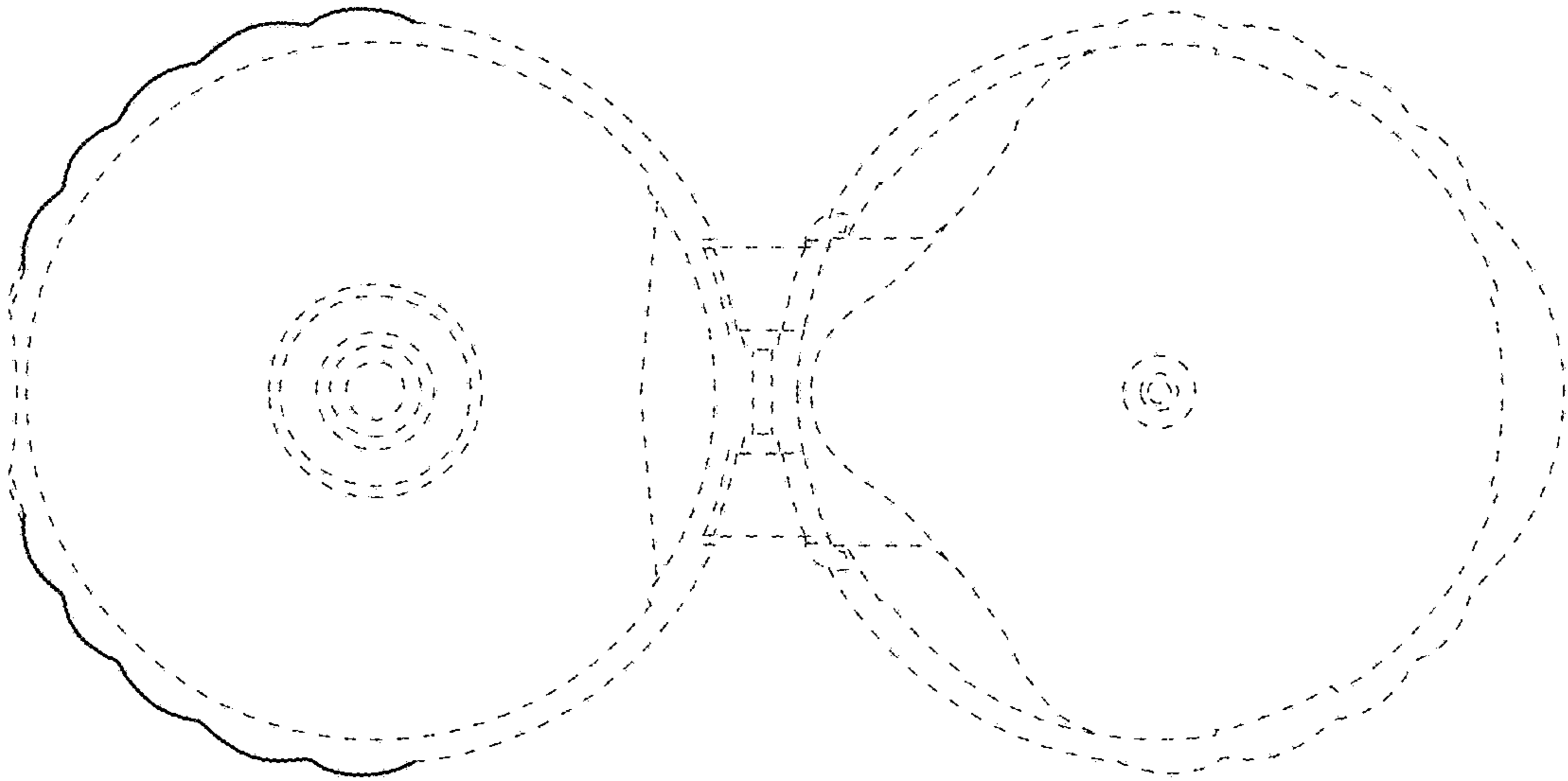


FIG. 11

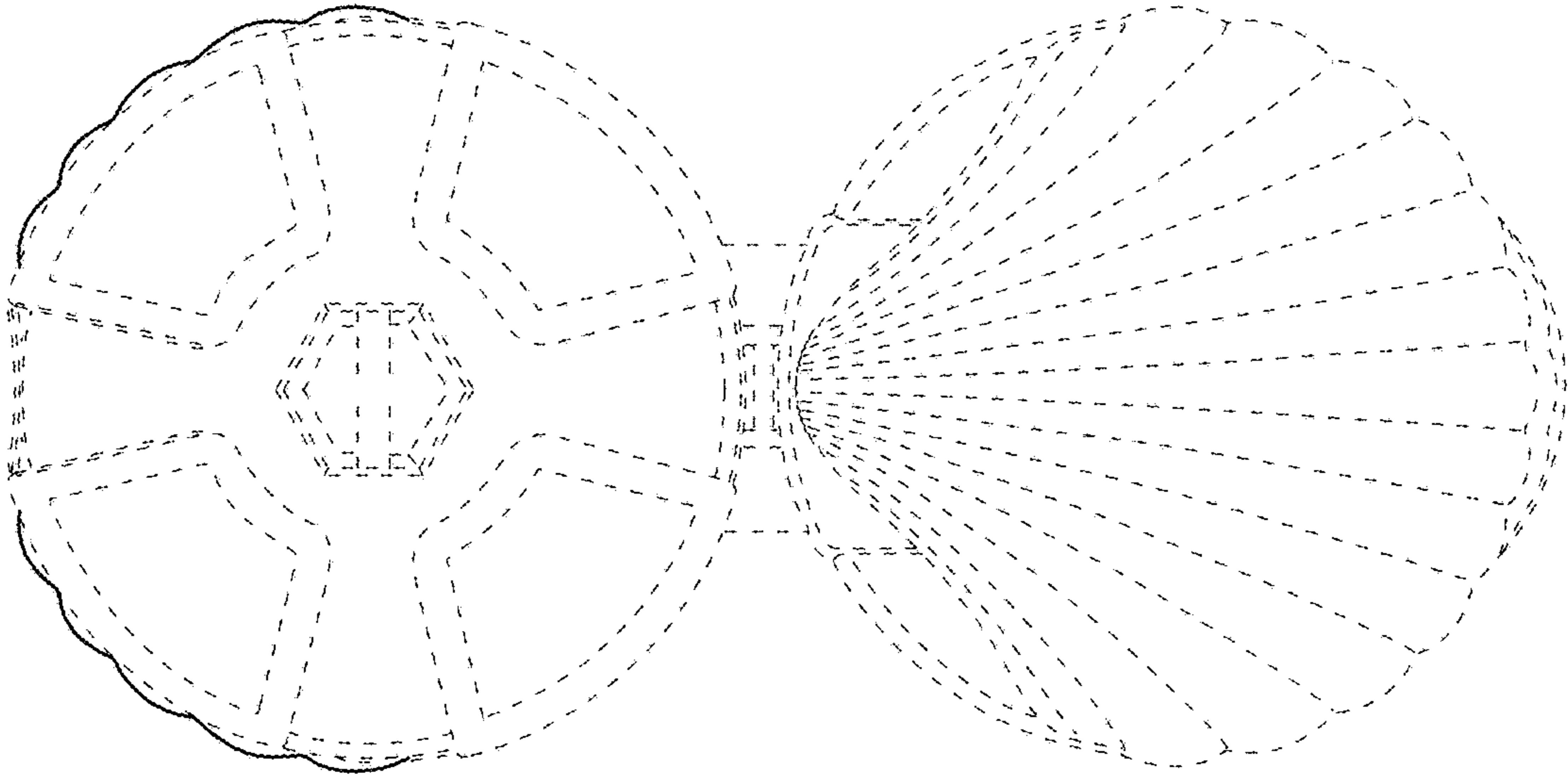
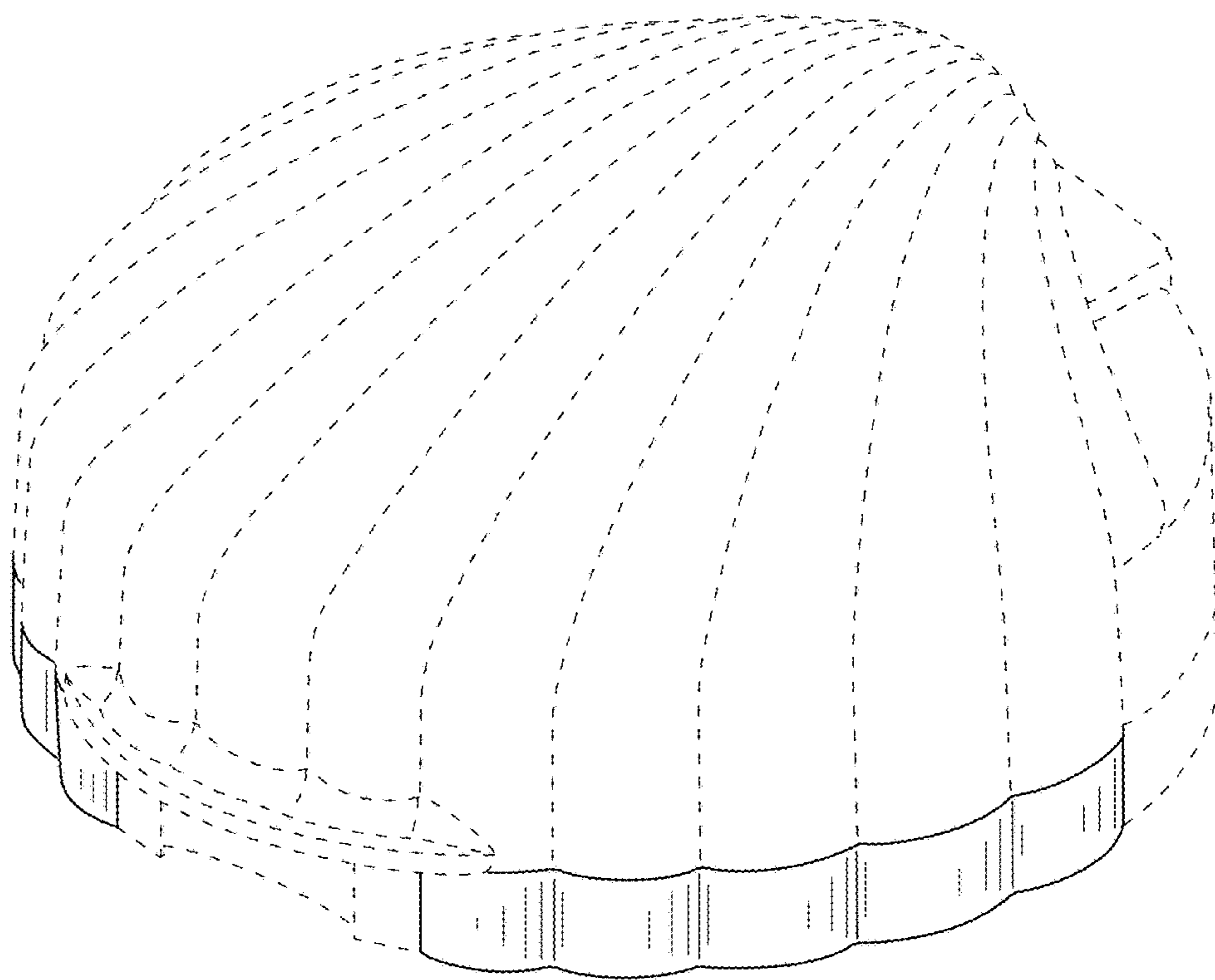
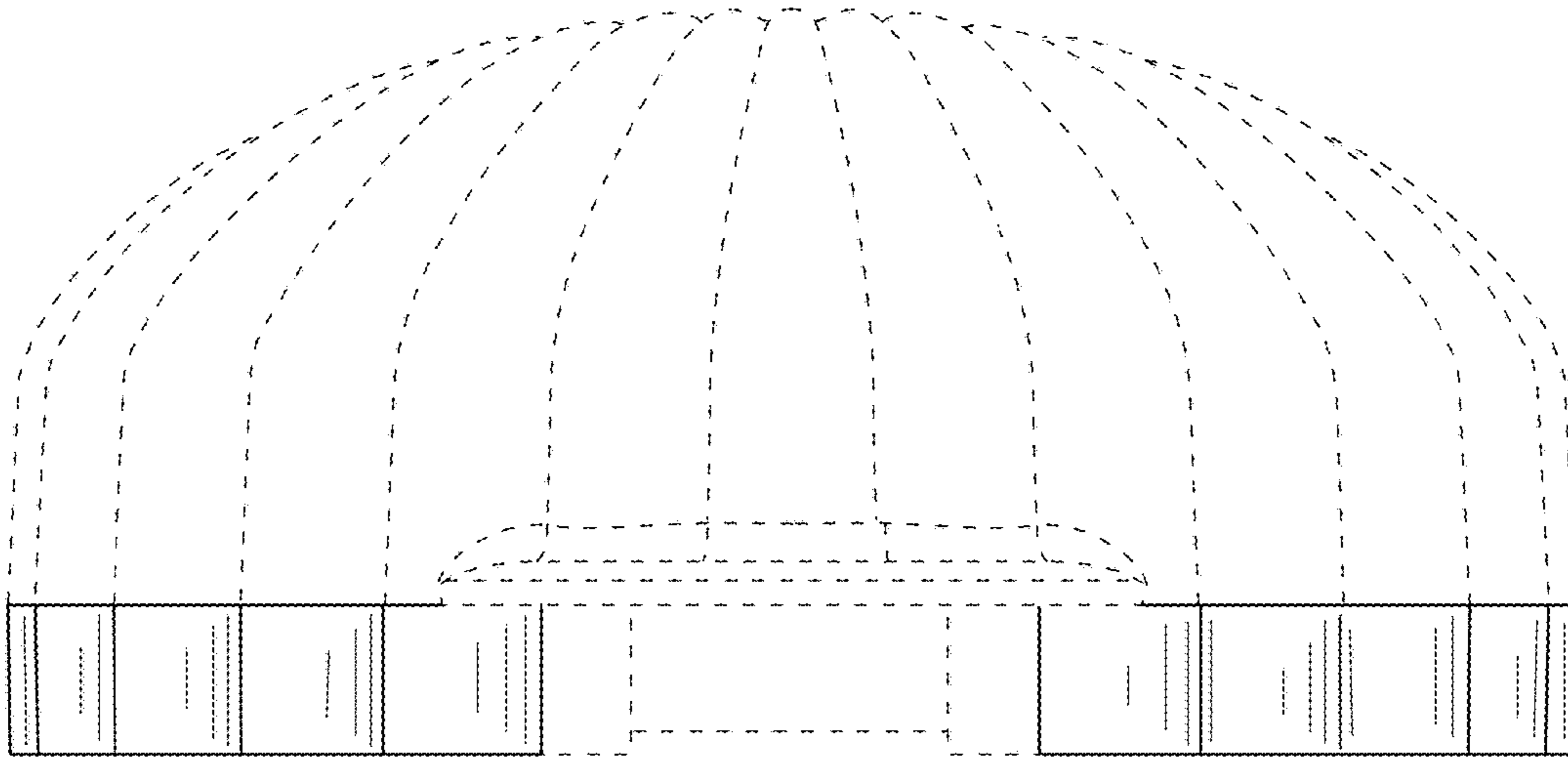


FIG. 12

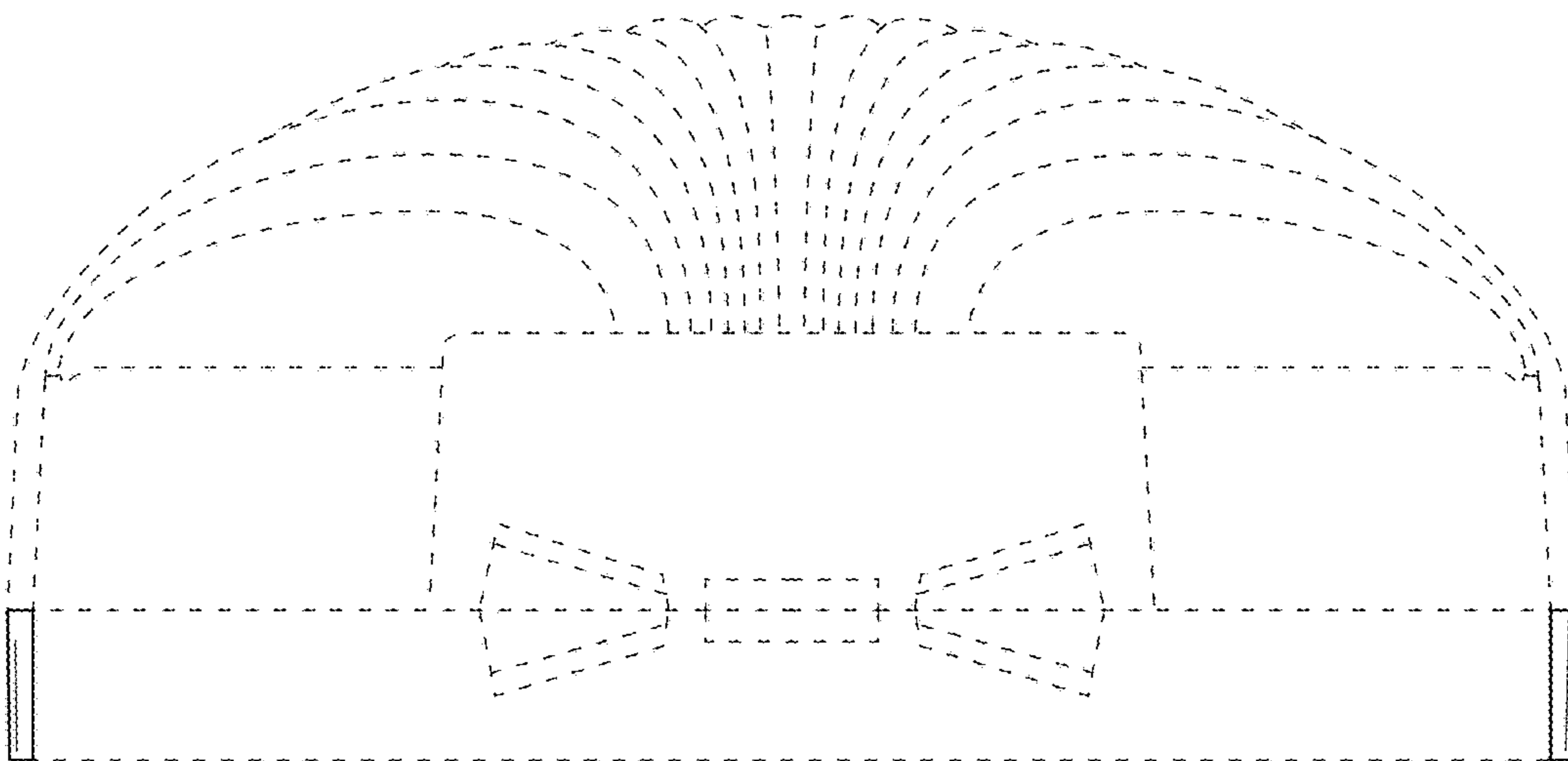




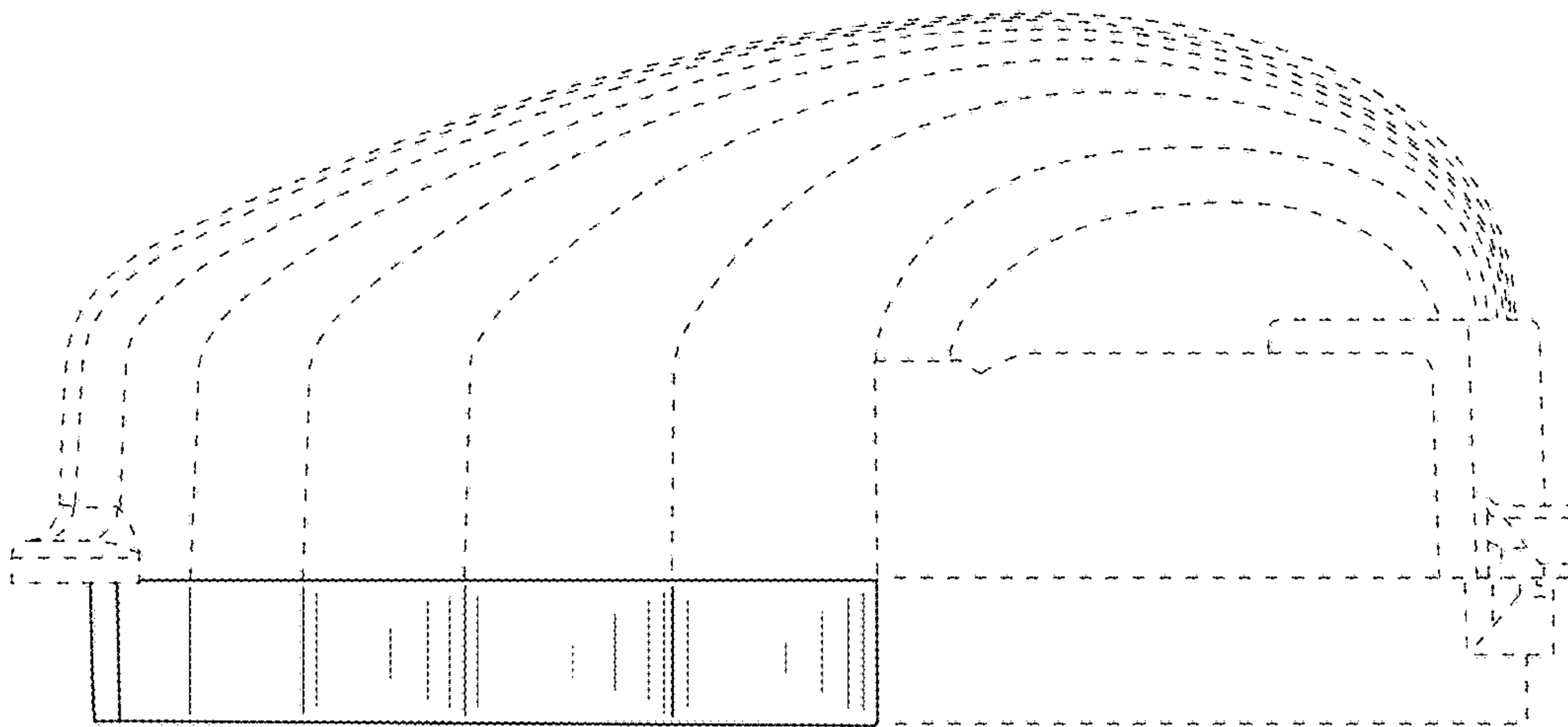
**FIG. 13**



**FIG. 14**



**FIG. 15**



**FIG. 16**

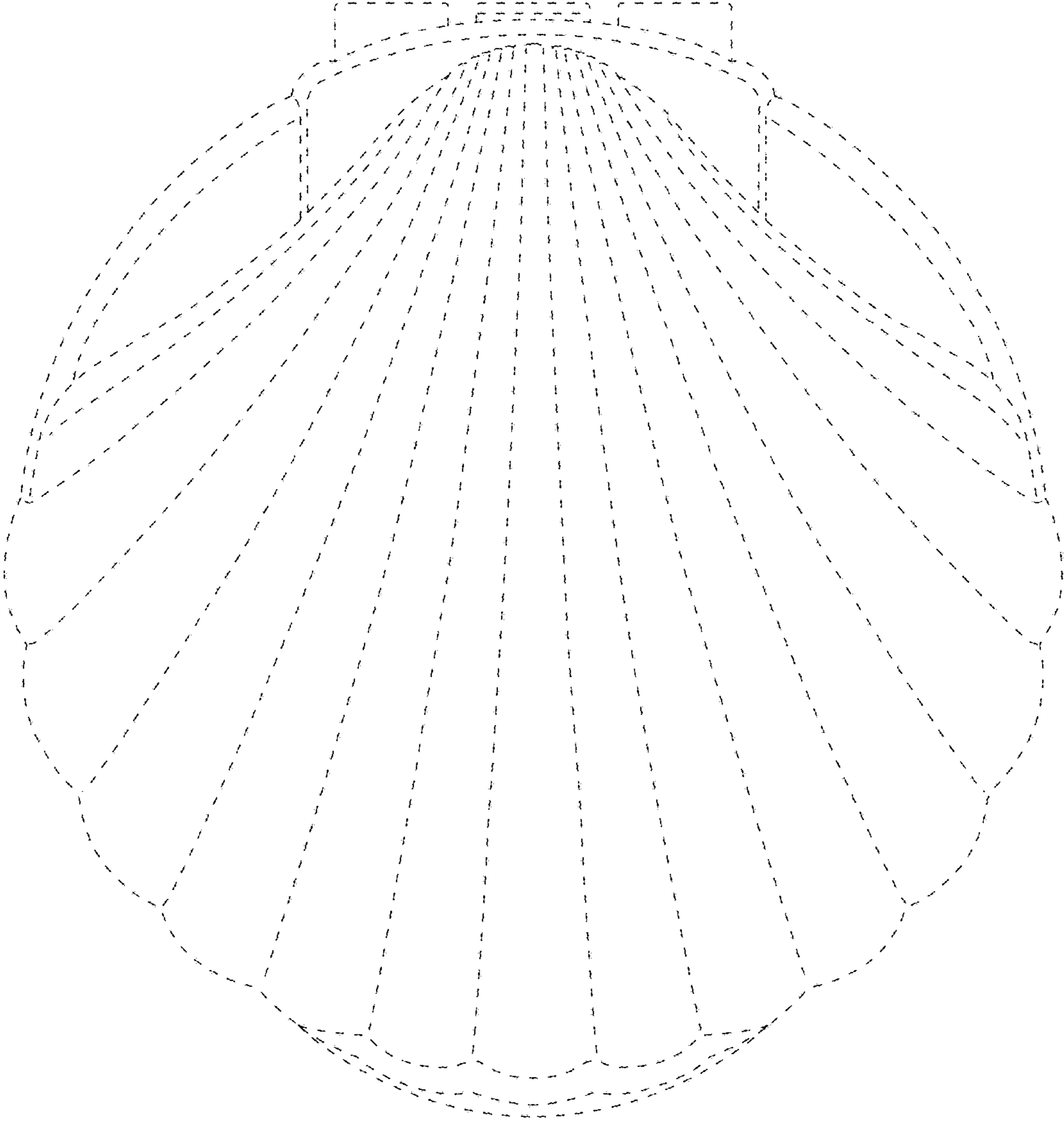
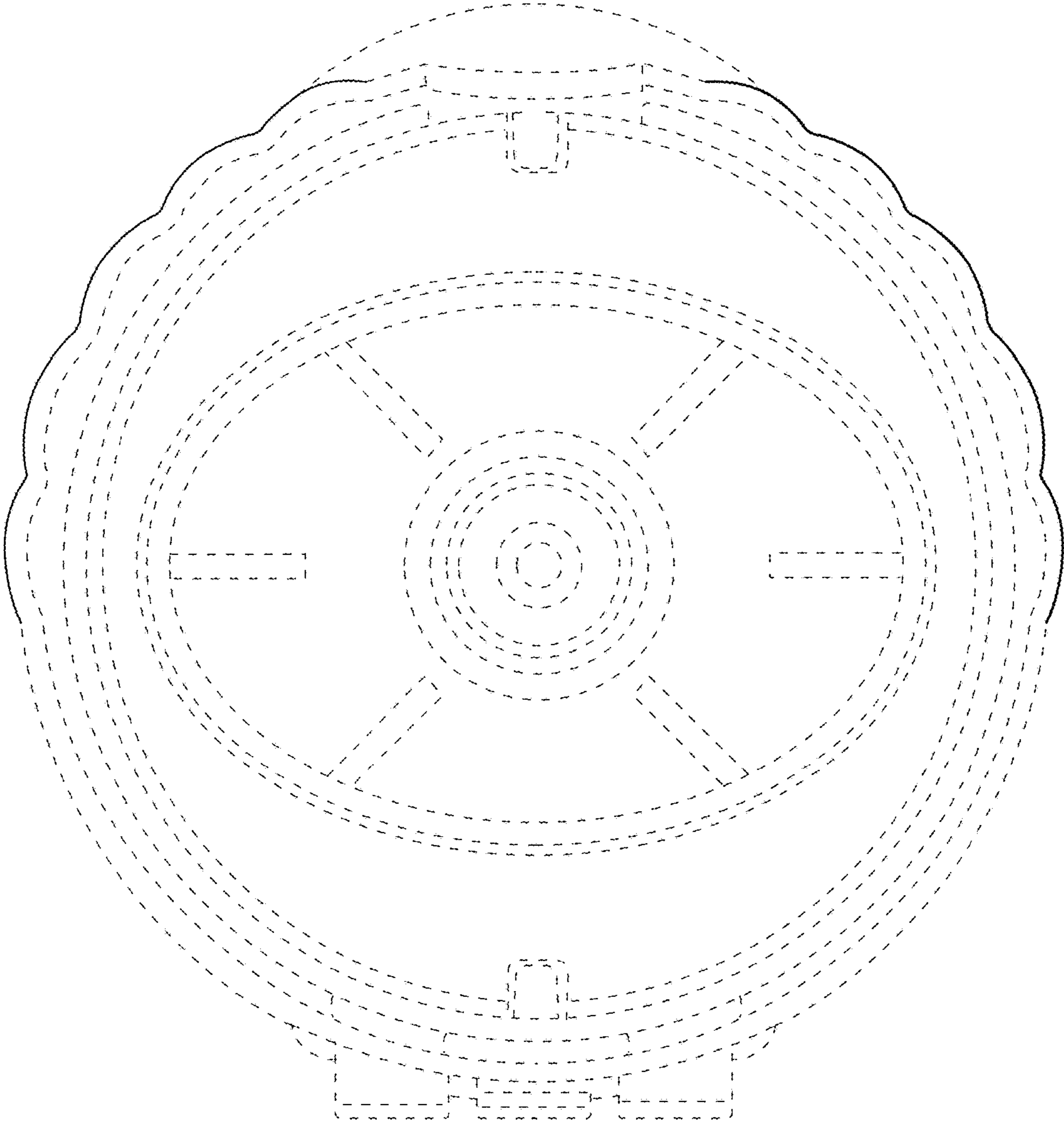


FIG. 17





**FIG. 18**

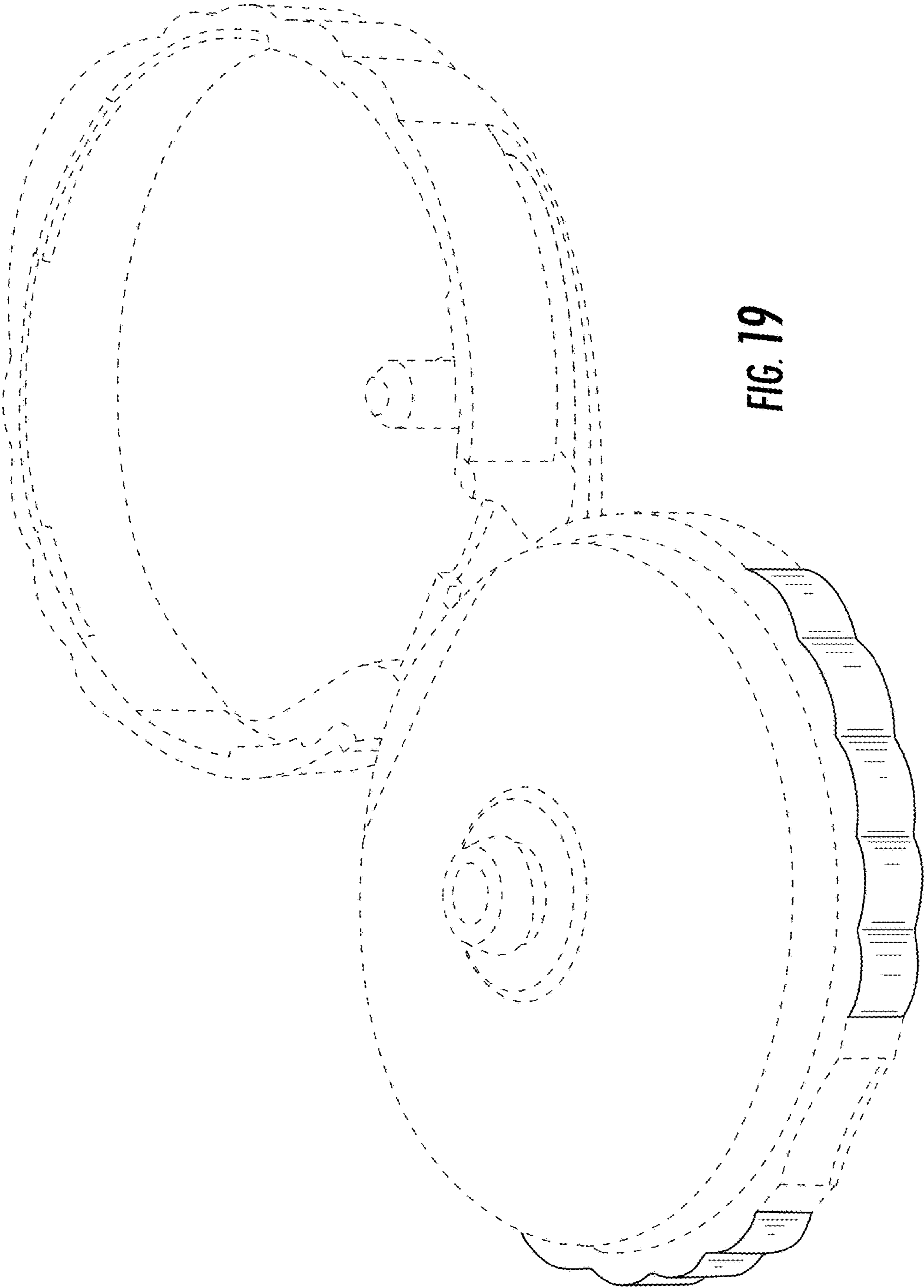
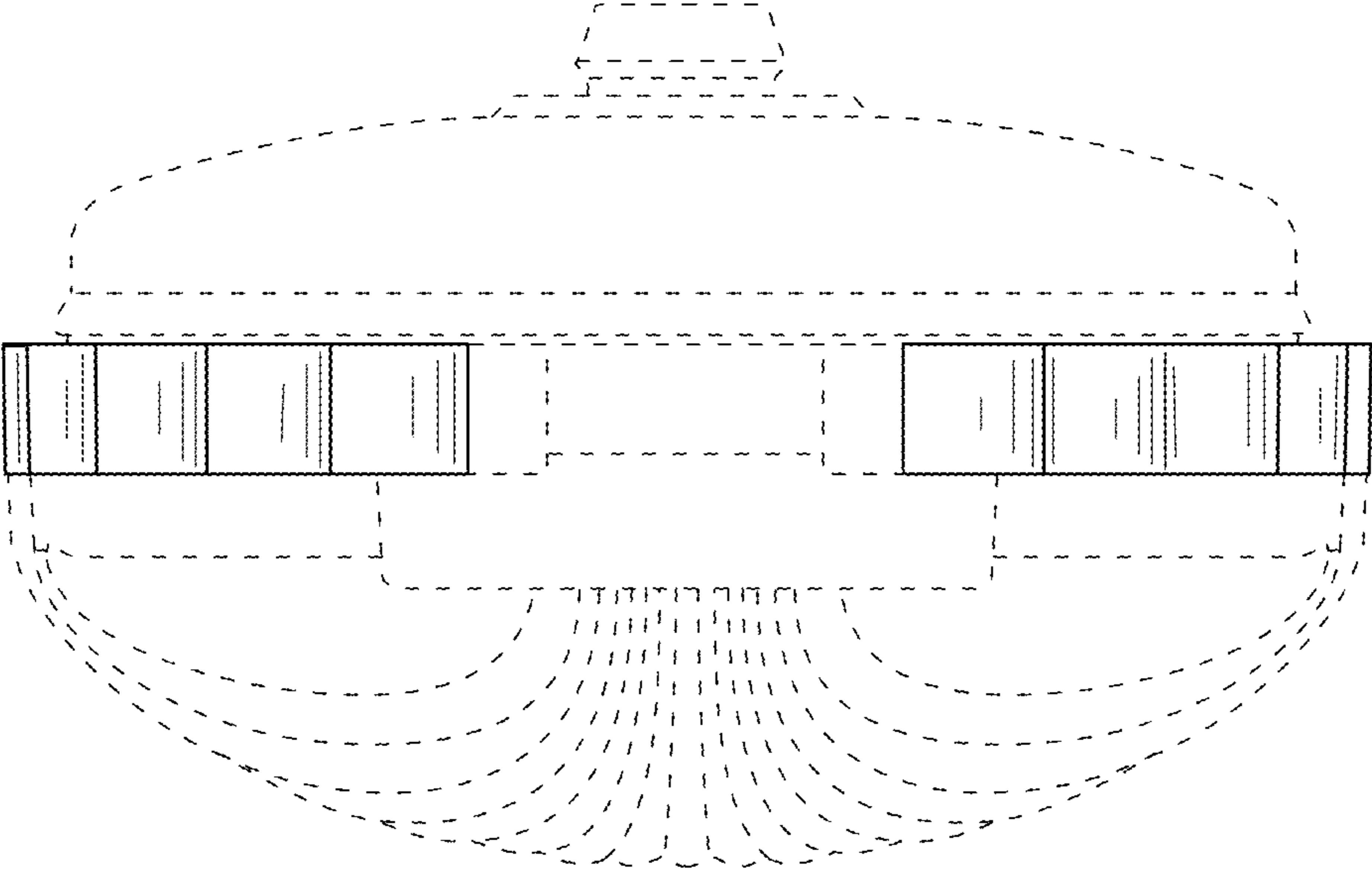
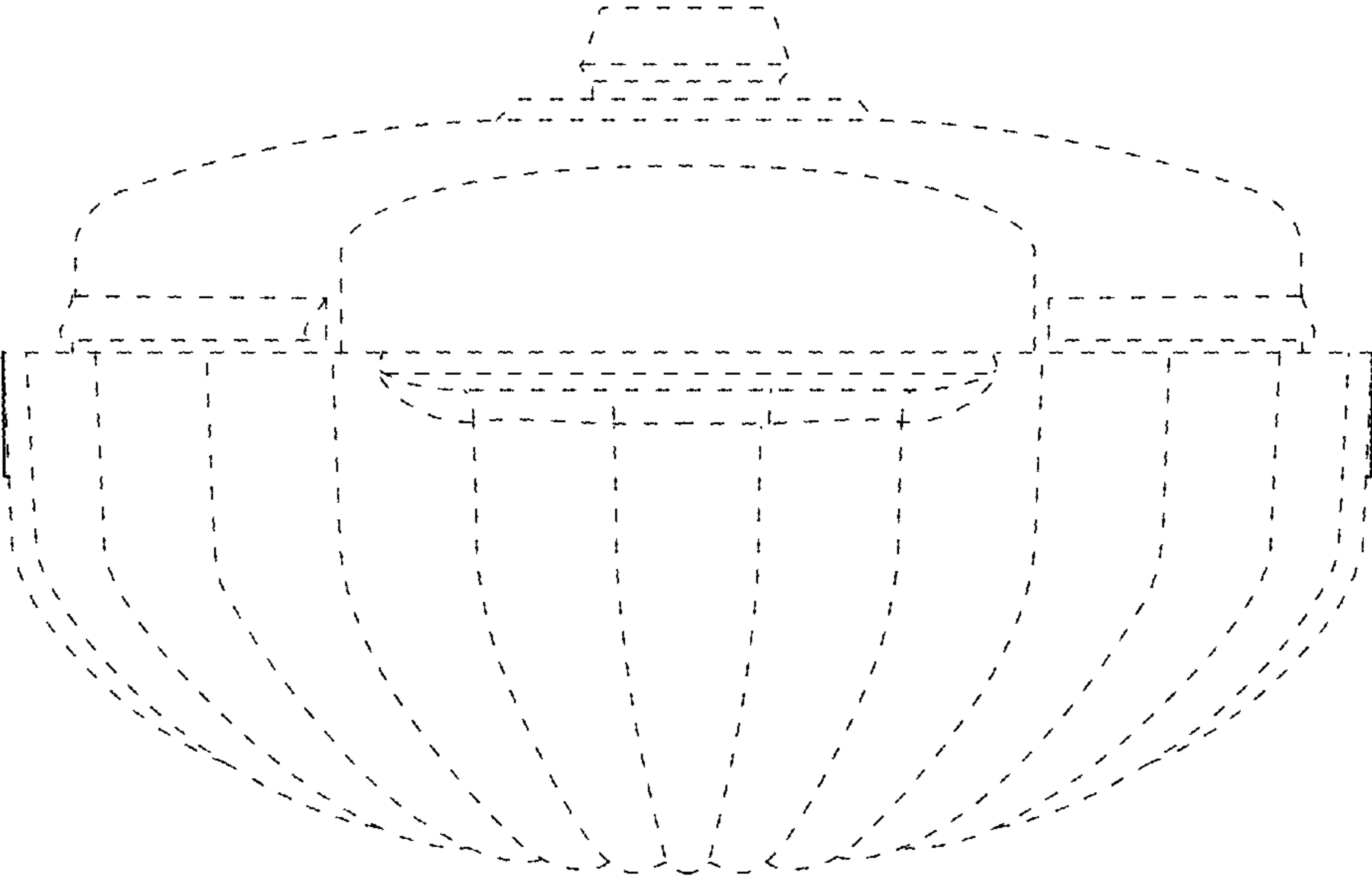


FIG. 19



**FIG. 20**



**FIG. 21**

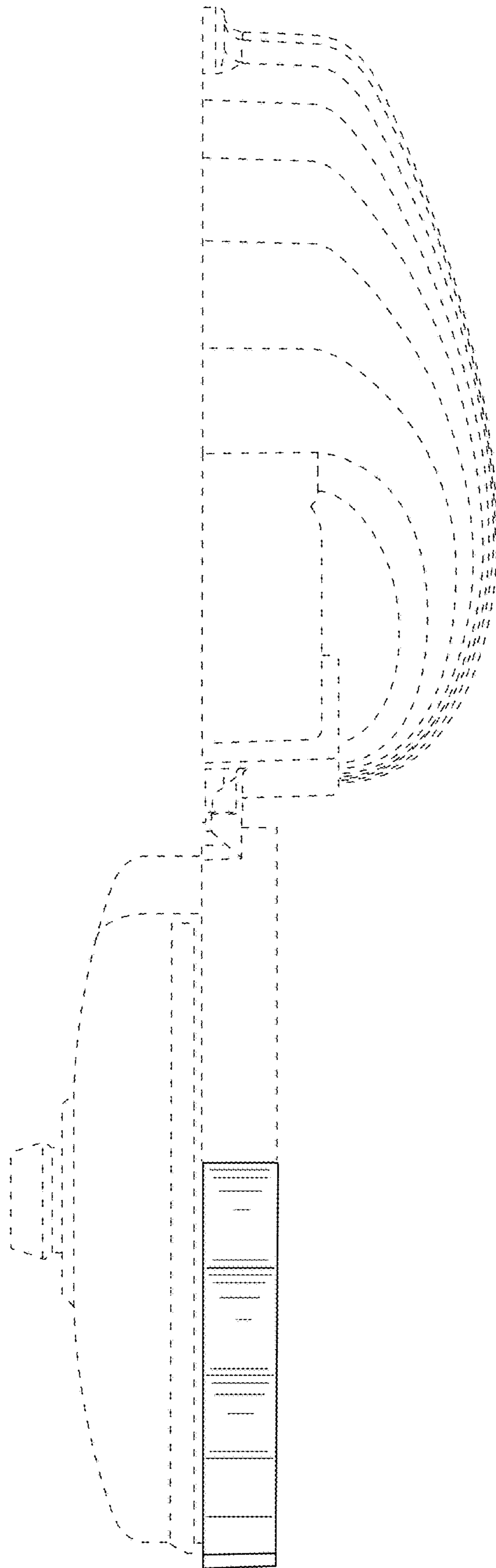


FIG. 22



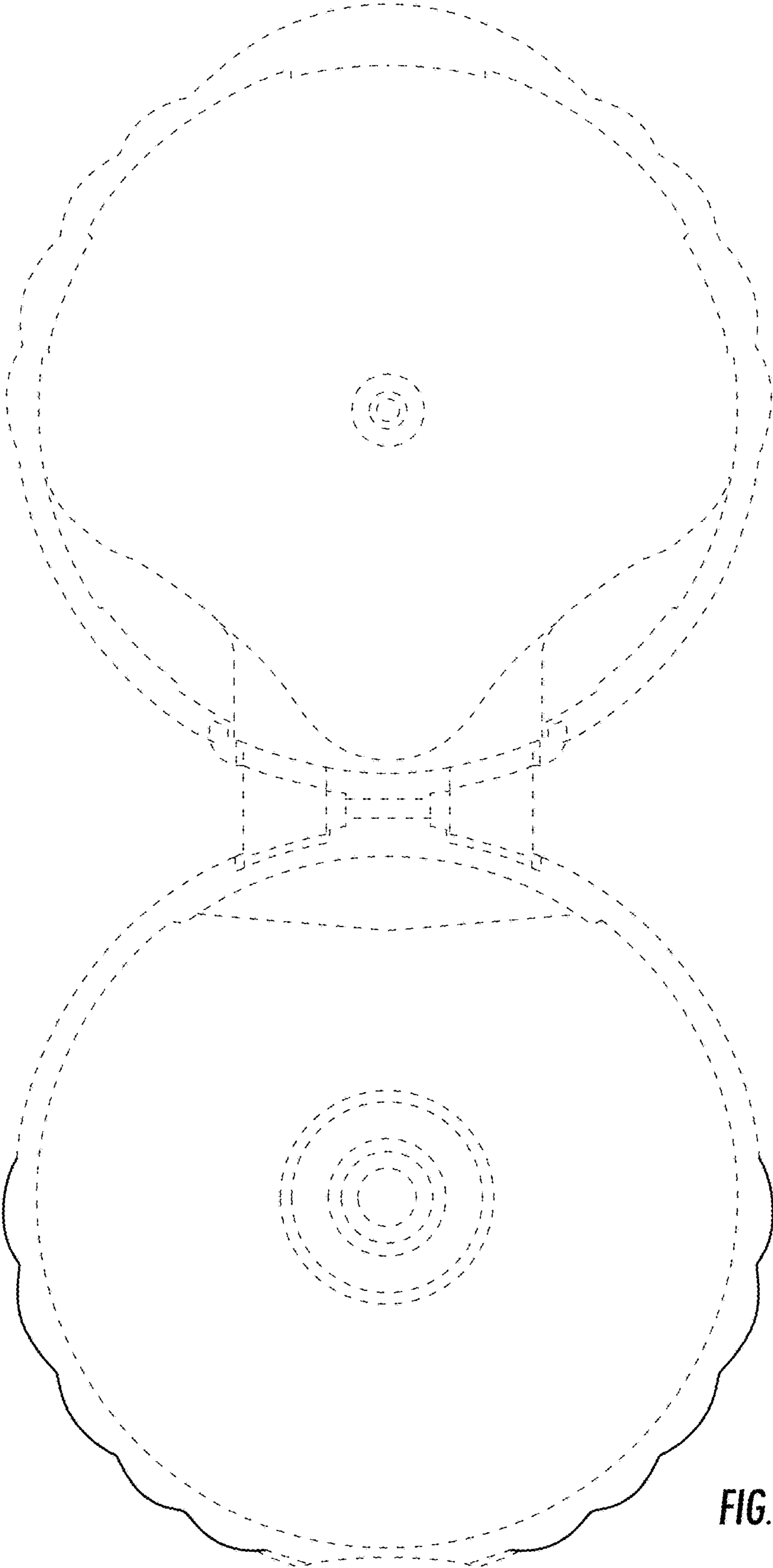


FIG. 23

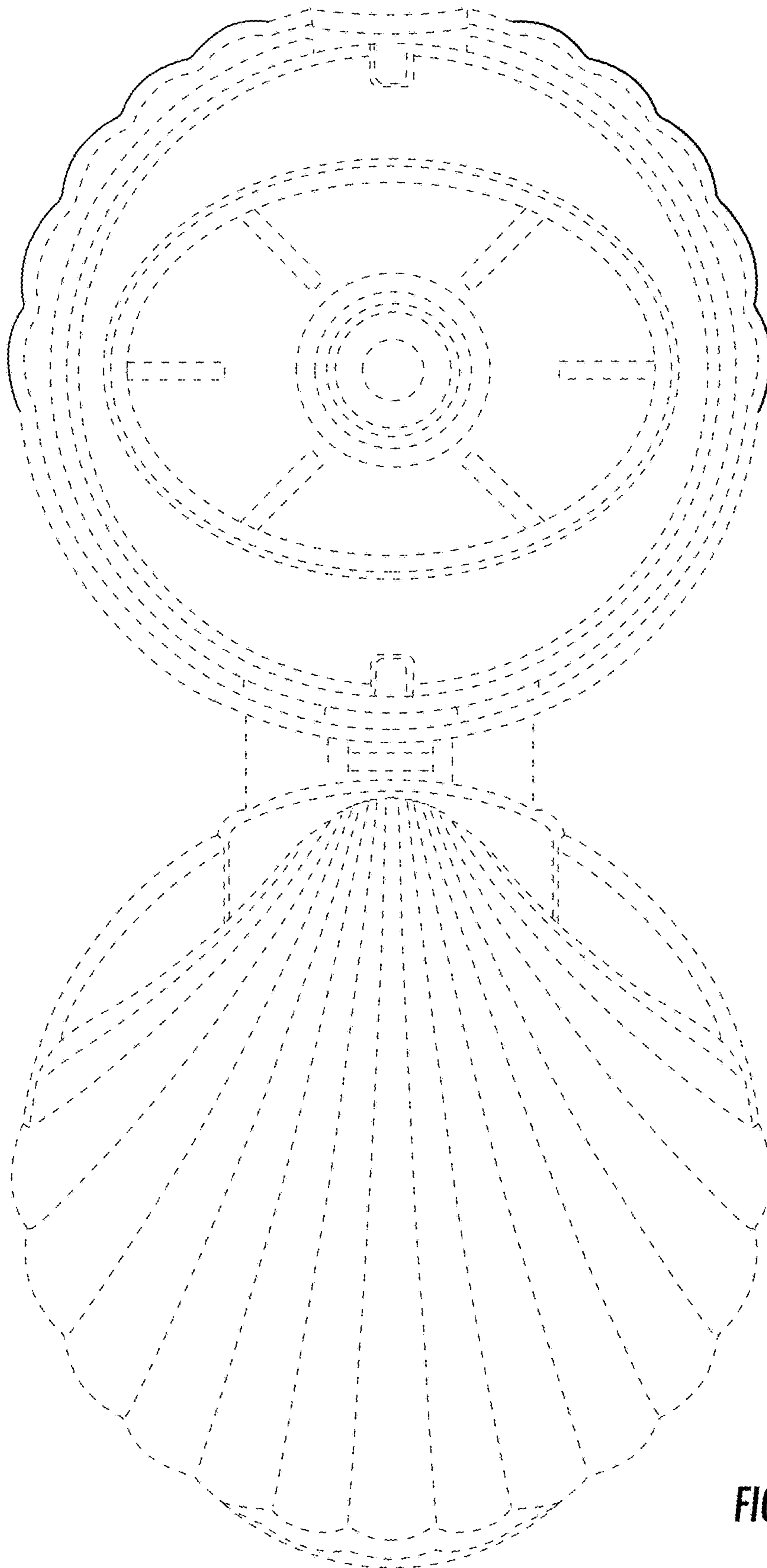


FIG. 24