



US00D823115S

(12) **United States Design Patent** (10) **Patent No.:** **US D823,115 S**  
**Walker et al.** (45) **Date of Patent:** **\*\* Jul. 17, 2018**

(54) **DISPENSING TOP FOR A BOTTLE** 3,904,059 A \* 9/1975 Bellamy, Jr. .... B65D 51/002  
215/247  
(71) Applicant: **Simcro Limited**, Hamilton (NZ) D263,805 S \* 4/1982 Seager ..... D9/450  
4,484,916 A \* 11/1984 McPhee ..... A61J 1/10  
215/249  
(72) Inventors: **Rodney Gordon Walker**, Hamilton D292,232 S \* 10/1987 Forman ..... D24/224  
(NZ); **David Andrew Trow**, Hamilton D309,710 S \* 8/1990 Groves ..... D9/447  
(NZ) D402,558 S \* 12/1998 Klima, Jr. .... D9/434  
D501,359 S \* 2/2005 Bodum ..... D7/392  
(73) Assignee: **SIMCRO LIMITED** (NZ) D631,351 S \* 1/2011 Coon ..... D9/453  
D650,052 S \* 12/2011 Drenth ..... D23/269  
(\*\*) Term: **15 Years** (Continued)

(21) Appl. No.: **29/592,827**  
(22) Filed: **Feb. 2, 2017**  
(51) **LOC (11) Cl.** ..... **09-07**  
(52) **U.S. Cl.**  
USPC ..... **D9/447**  
(58) **Field of Classification Search**  
USPC ..... D9/414, 417, 428, 432, 434-436,  
D9/443-450, 452-456, 499, 682-685;  
D7/387, 392, 392.1, 393, 396.1-396.4,  
D7/398, 401.1, 507, 509-511, 538, 900,  
D7/509-511; D3/202, 294, 318;  
D28/91.1; D6/580, 699, 699.4, 702;  
D8/349, 354, 382, 107, 300, 321, 322;  
D24/130  
CPC .. A61J 1/00; A61J 1/1412; B65D 1/00; B65D  
1/02; B65D 1/10; B65D 1/46; B65D  
2585/56; B65D 2585/545; B65D 41/00;  
B65D 41/38; B65D 41/56; B65D 41/62;  
B65D 47/00; B65D 47/06; B65D 47/08;  
B65D 2543/00046; B65D 2543/00092;  
B65D 2543/00296; B65D 5/46; B65D  
2251/00  
See application file for complete search history.

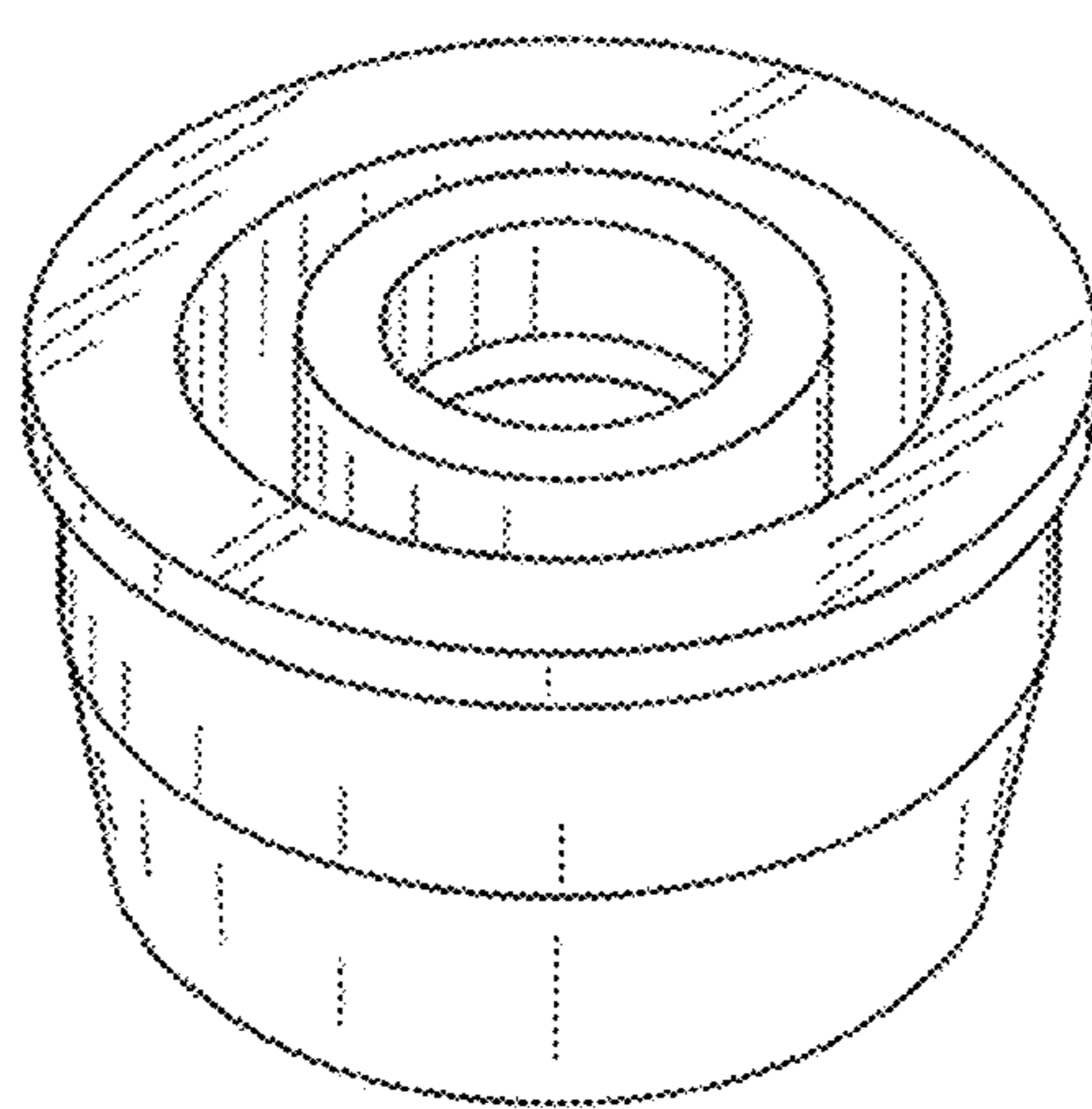
(56) **References Cited**  
U.S. PATENT DOCUMENTS  
2,969,158 A \* 1/1961 Baumann ..... B65D 51/002  
215/254  
3,792,794 A \* 2/1974 Cutter ..... B65D 51/002  
215/247

Primary Examiner — Michael A. Pratt  
Assistant Examiner — Wendy L Arminio  
(74) Attorney, Agent, or Firm — Lowe Graham Jones  
PLLC

(57) **CLAIM**  
The ornamental design for a dispensing top for a bottle, as  
shown and described.

**DESCRIPTION**  
FIG. 1 is a top isometric view of a dispensing top for a bottle,  
showing our new design,  
FIG. 2 is a top plan view thereof;  
FIG. 3 is a bottom view thereof;  
FIG. 4 is a front view thereof, the rear, left side, and right  
side views being identical;  
FIG. 5 is a front cross-sectional view thereof, taken in the  
direction of line 5-5 in FIG. 2;  
FIG. 6 is a top isometric cross-sectional view thereof, taken  
in the direction of line 6-6 in FIG. 7, and shown in a position  
of use in an unclaimed bottle illustrated in broken lines; and,  
FIG. 7 is a top plan view thereof, shown in a position of use  
in an unclaimed bottle illustrated in broken lines.  
The broken lines in FIGS. 6 and 7 depict environment and  
form no part of the claimed design.

**1 Claim, 4 Drawing Sheets**



(56)

**References Cited**

U.S. PATENT DOCUMENTS

D715,146 S \* 10/2014 Holmes ..... D9/447  
D734,150 S \* 7/2015 Rigel ..... D9/440  
D751,394 S \* 3/2016 Chartier ..... D9/440  
D757,233 S \* 5/2016 Vaz ..... D23/262  
D779,640 S \* 2/2017 Vaz ..... D23/262  
2004/0232175 A1\* 11/2004 Decler ..... B65D 5/746  
222/567  
2011/0290677 A1\* 12/2011 Simonian ..... B65D 47/243  
206/219  
2014/0001207 A1\* 1/2014 Dyrbye ..... B65D 51/2828  
222/129  
2015/0128873 A1\* 5/2015 Prescott ..... A61M 5/2066  
119/665  
2016/0200486 A1\* 7/2016 Meyers ..... A47G 19/2266  
215/229  
2017/0129666 A1\* 5/2017 Smith ..... B65D 51/2835

\* cited by examiner

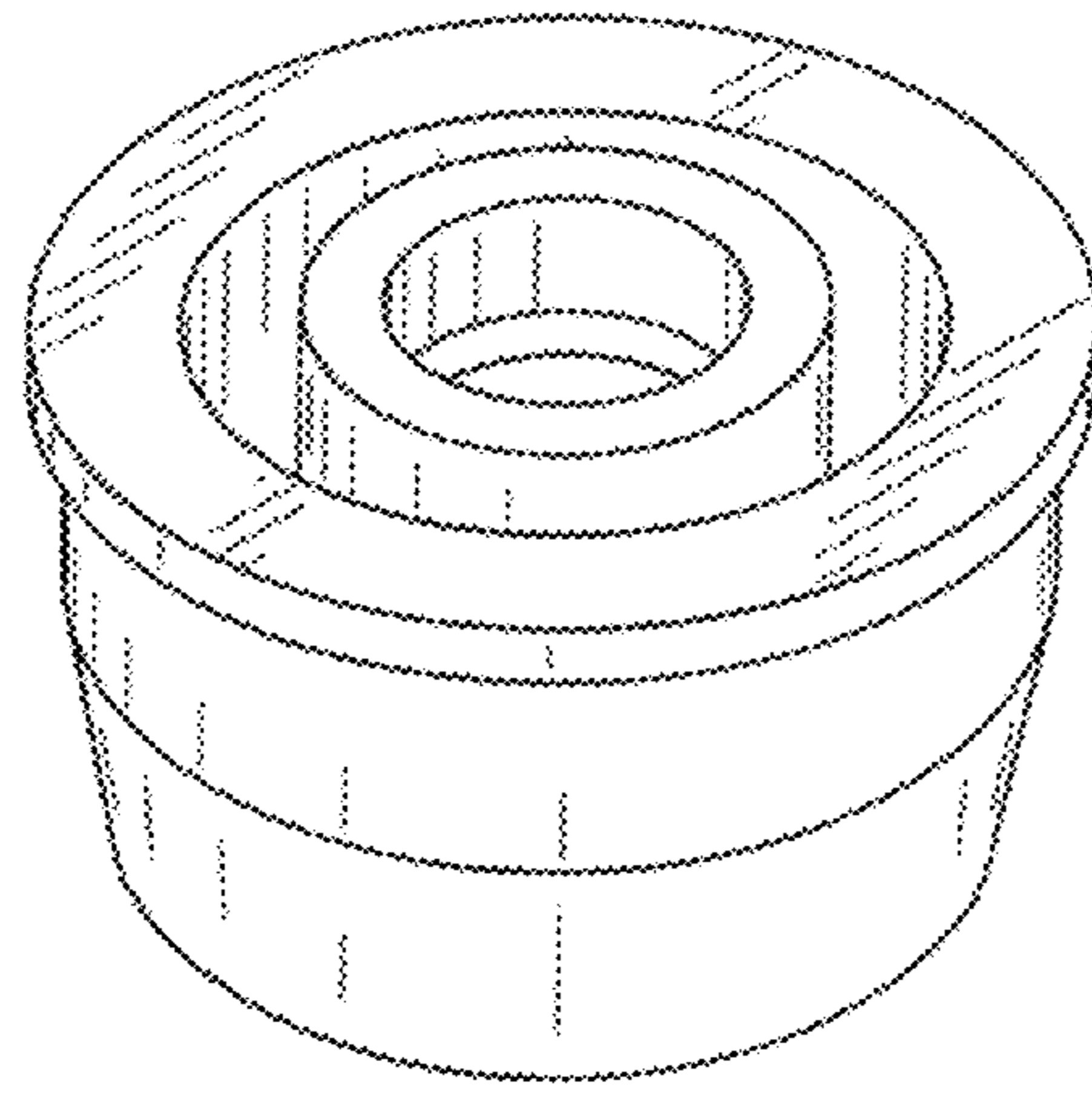


FIG. 1

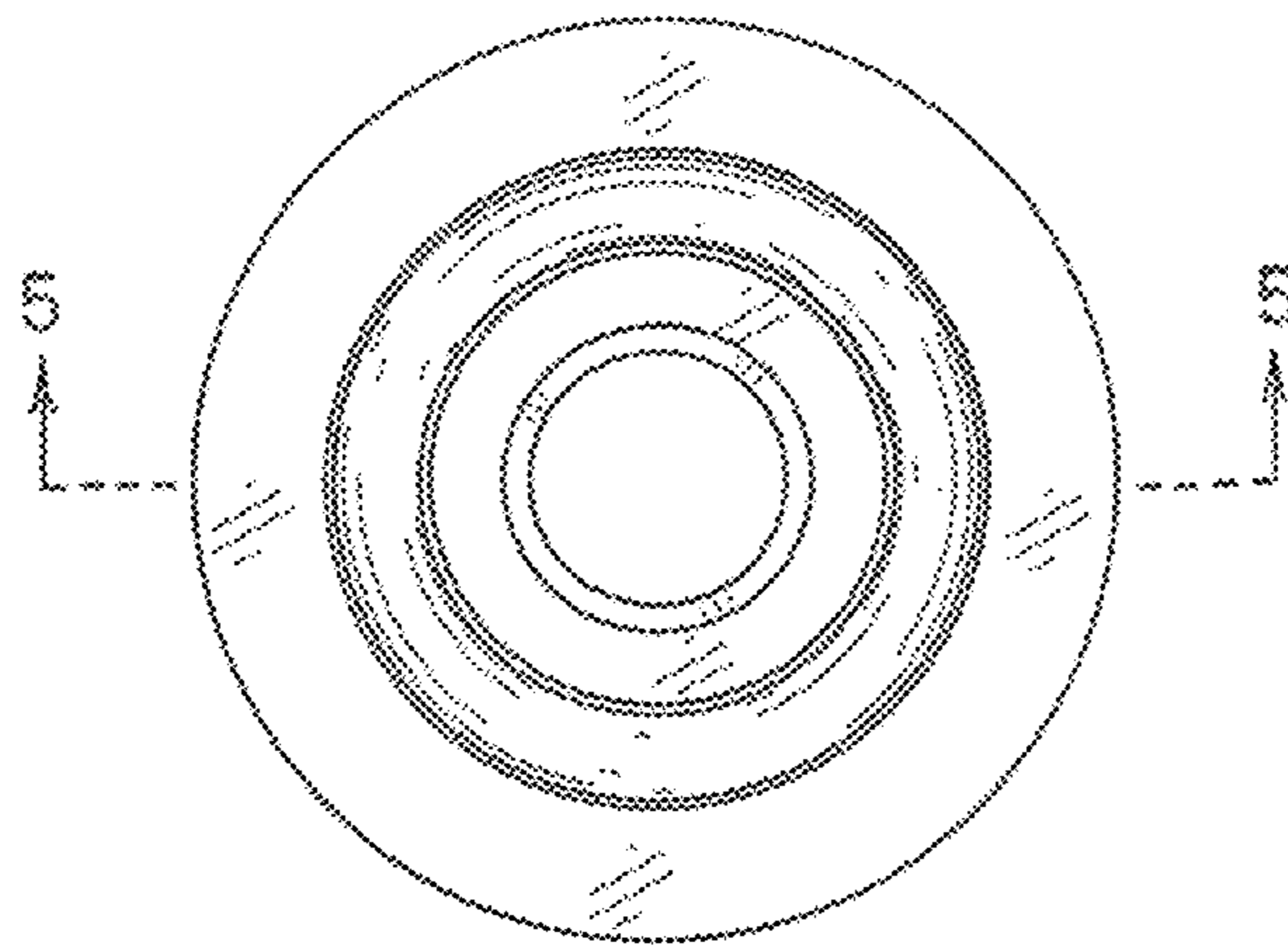


FIG. 2

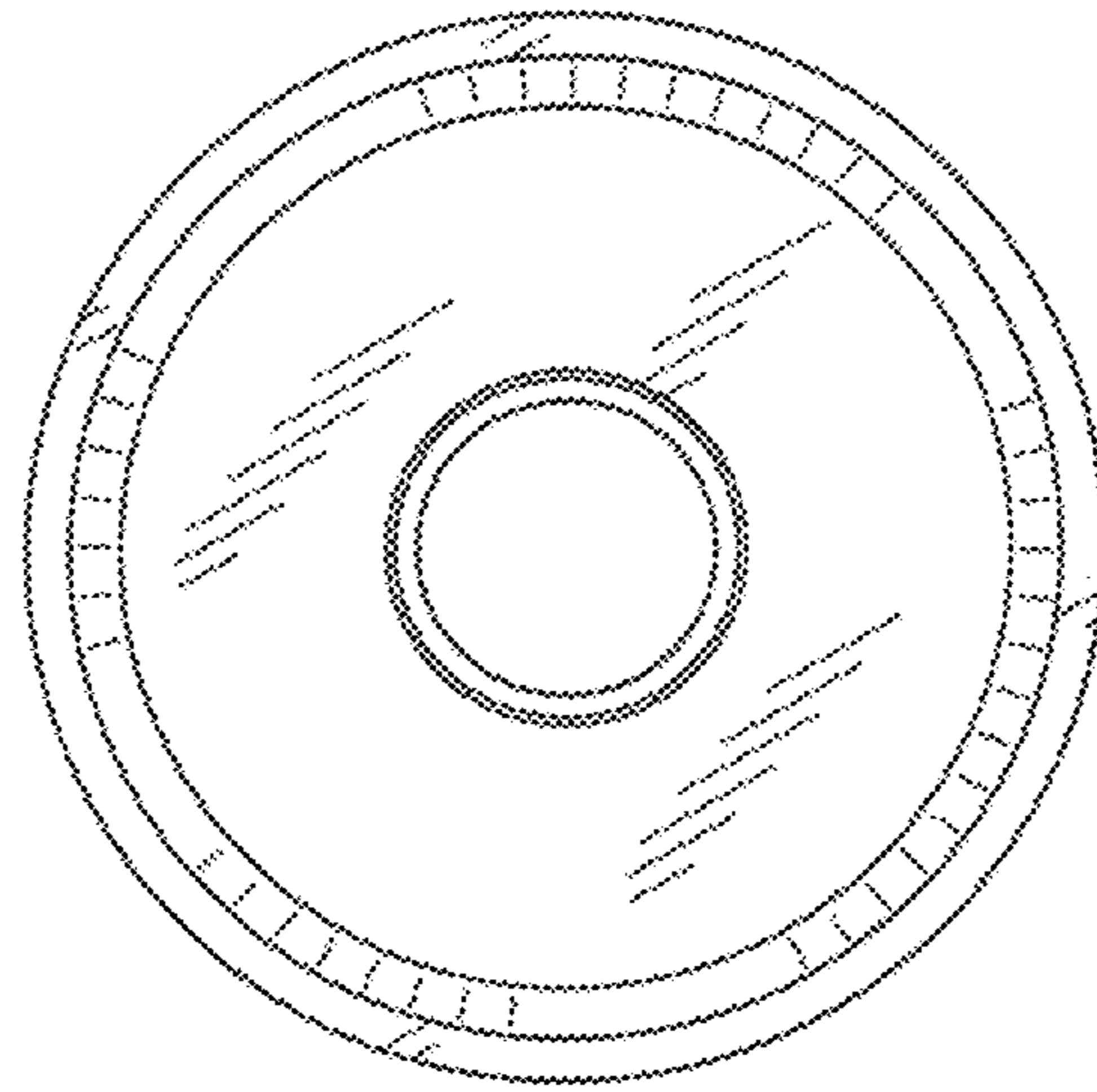


FIG. 3

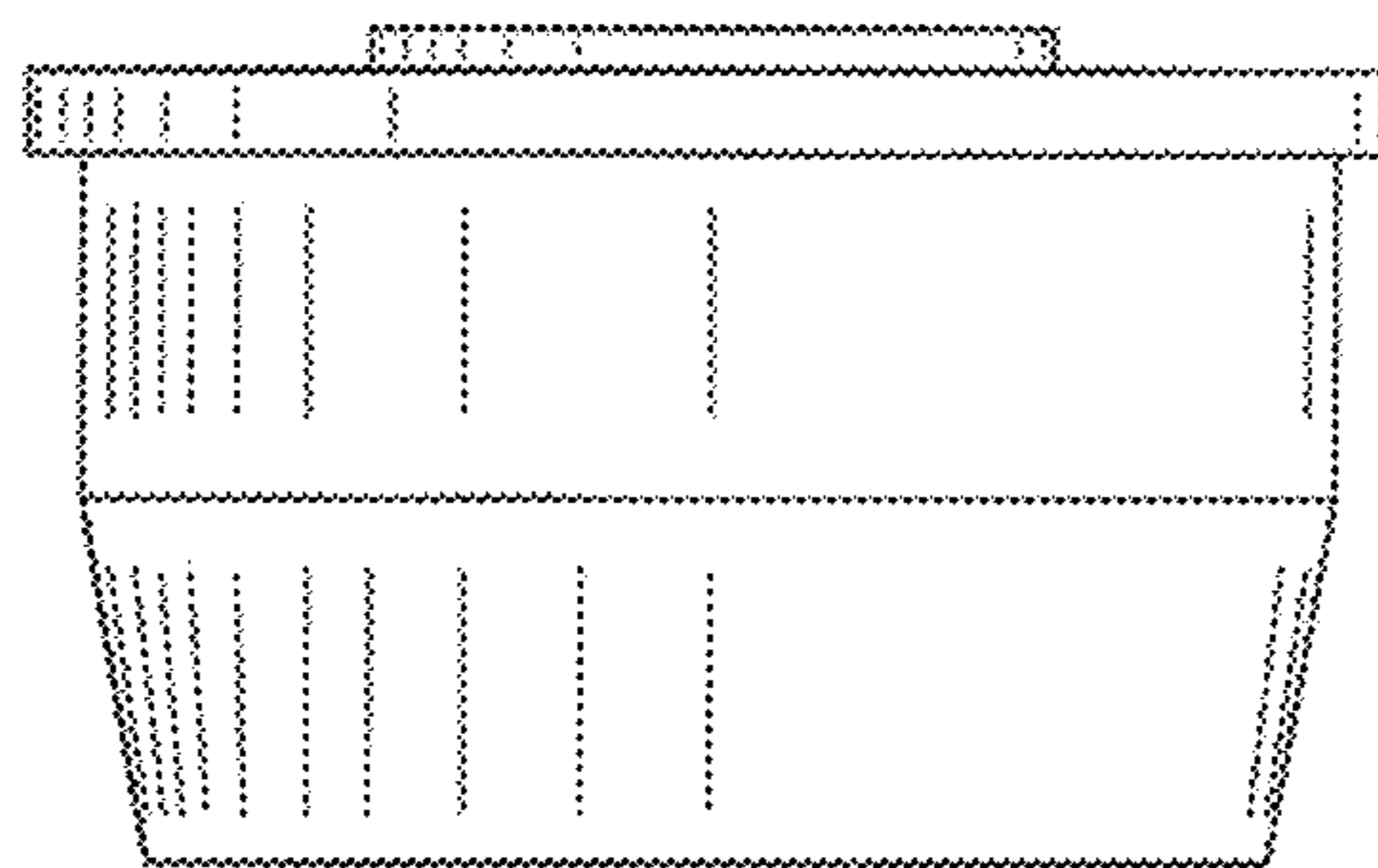


FIG. 4

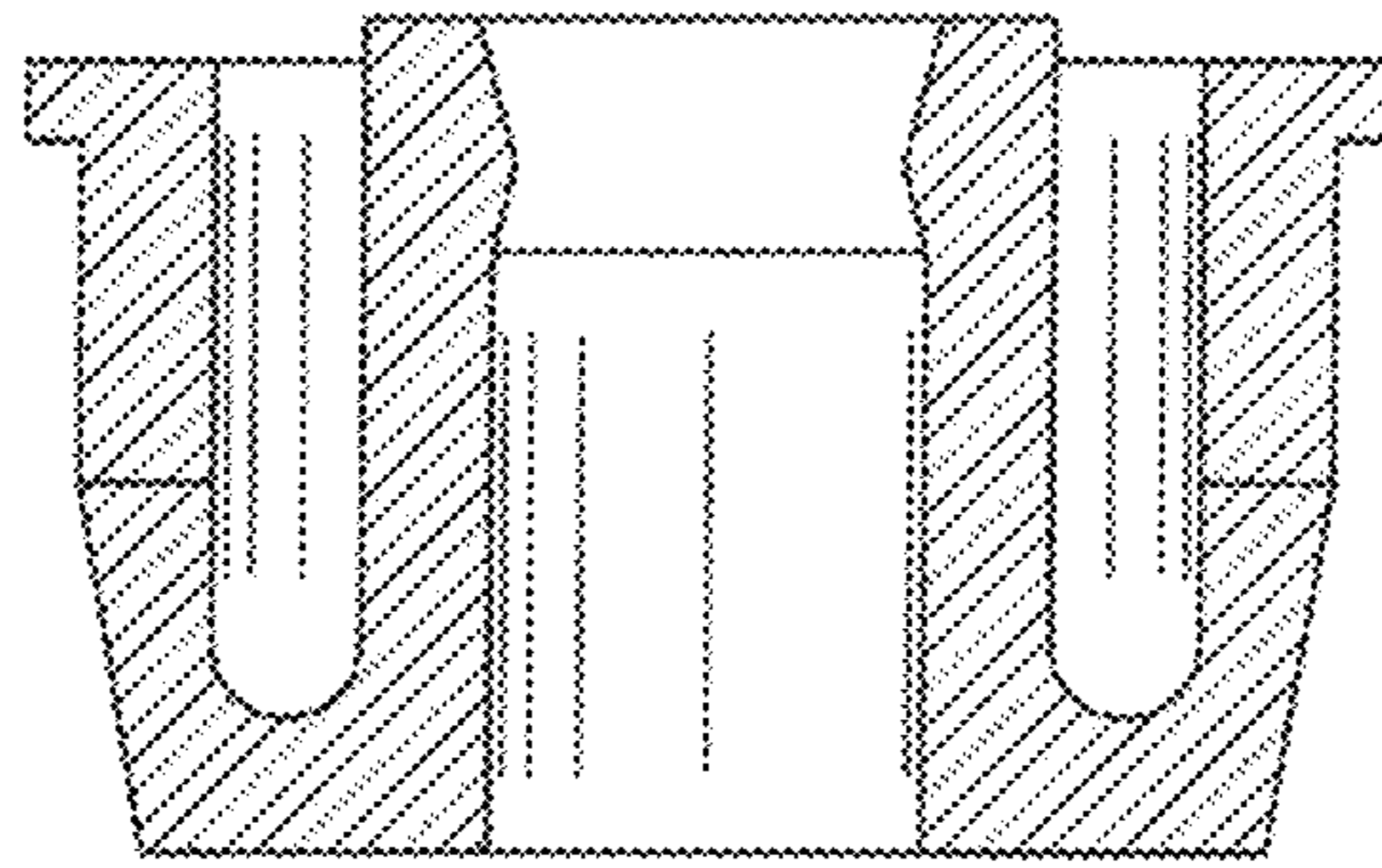


FIG. 5

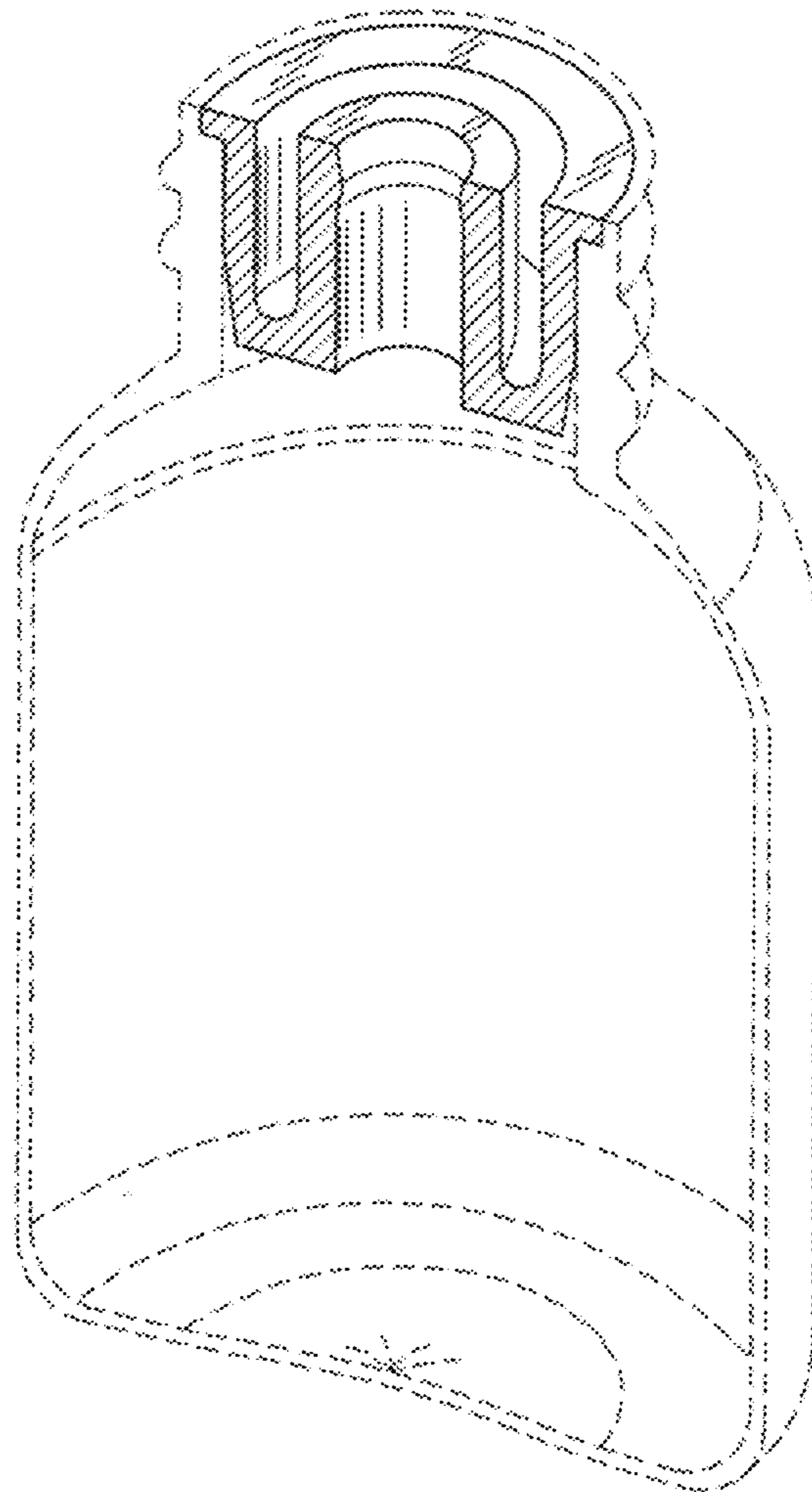


FIG. 6



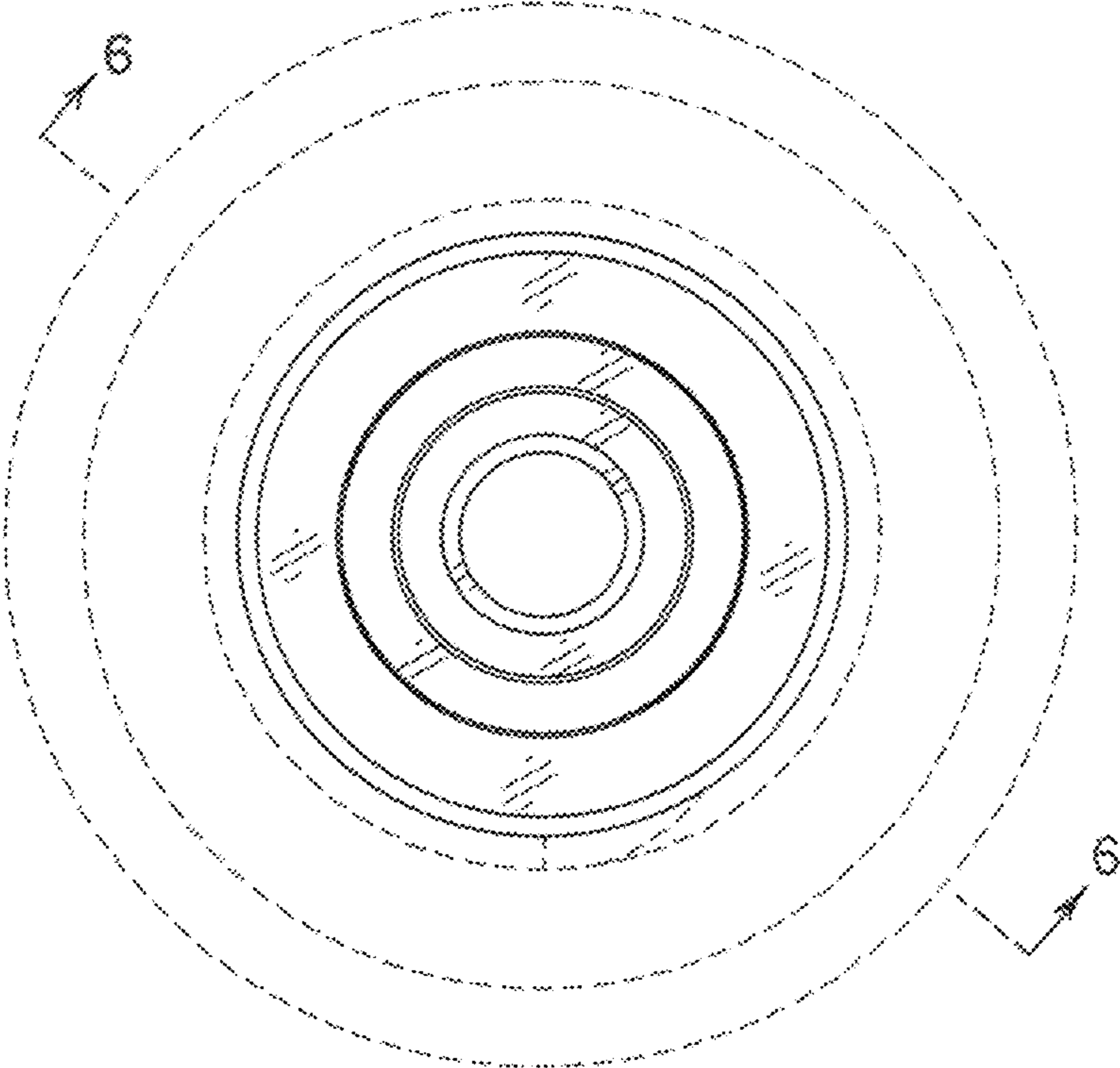


FIG. 7