



US00D823114S

(12) **United States Design Patent** (10) **Patent No.:** **US D823,114 S**  
**Johnson et al.** (45) **Date of Patent:** **\*\* Jul. 17, 2018**

(54) **DISPENSER FITMENT**  
(71) Applicant: **Liqui-Box Corporation**, Richmond, VA (US)  
(72) Inventors: **James Johnson**, Delaware, OH (US); **Timothy Frazier**, Westerville, OH (US)  
(73) Assignee: **LIQUI-BOX CORPORATION**, Richmond, VA (US)

D512,121 S \* 11/2005 Chen ..... D23/223  
D513,426 S \* 1/2006 Chen ..... D23/223  
D542,593 S \* 5/2007 Stewart ..... A47J 43/28  
D7/368  
D610,869 S \* 3/2010 Pourounidis ..... D7/399  
D621,474 S \* 8/2010 Kwok ..... D23/223  
D622,099 S \* 8/2010 Pike ..... D27/162  
D715,143 S \* 10/2014 Hewitt ..... D9/436  
D719,402 S \* 12/2014 Khan ..... D7/397  
D722,872 S \* 2/2015 Bowman ..... D9/436  
D758,866 S \* 6/2016 Tsai ..... D28/89

(Continued)

(\*\*) Term: **15 Years**

(21) Appl. No.: **29/565,329**  
(22) Filed: **May 19, 2016**  
(51) **LOC (11) Cl.** ..... **09-07**  
(52) **U.S. Cl.**  
USPC ..... **D9/447; D7/397**  
(58) **Field of Classification Search**  
USPC ..... D7/213, 387, 396.2, 397, 398;  
D9/434-436, 440, 443, 447, 499;  
D23/223  
CPC ..... A47G 21/18; A47J 43/28  
See application file for complete search history.

**OTHER PUBLICATIONS**

Liqui-Box. Fitments. Oct. 2, 2014 [earliest online date], [site visited Apr. 14, 2017]. Available from Internet, <URL:http://www.liquibox.com/products/fitments/>.\*

*Primary Examiner* — Eric L Goodman  
*Assistant Examiner* — Darcey E Hefflin  
(74) *Attorney, Agent, or Firm* — Baker & Hostetler LLP

(57) **CLAIM**

We claim the ornamental design for a dispenser fitment, as shown and described.

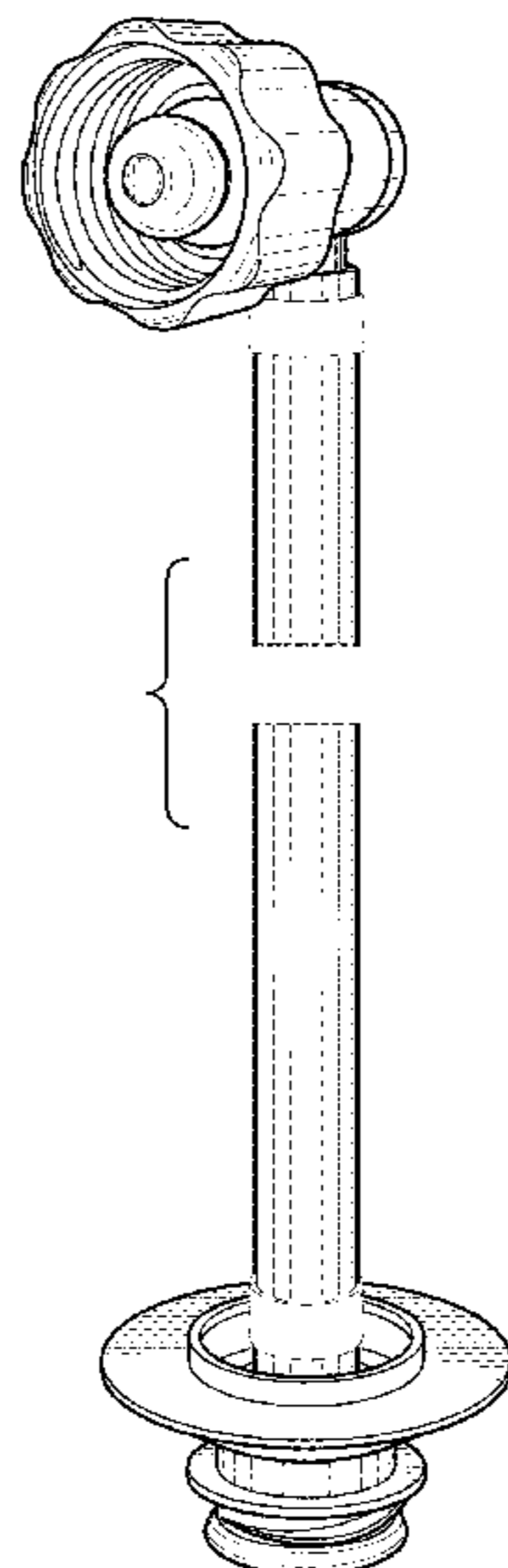
**DESCRIPTION**

FIG. 1 is a perspective view of the dispenser fitment; FIG. 2 is a front view of the dispenser fitment; FIG. 3 is a back view of the dispenser fitment; FIG. 4 is a right side view of the dispenser fitment; FIG. 5 is a left side view of the dispenser fitment; FIG. 6 is the top view of the dispenser fitment; and, FIG. 7 is the bottom view of the dispenser fitment. In the drawings, the broken line showing of a dispenser fitment depicts environment and forms no part of the claim. The dispenser fitment is shown with a symbolic break in its length. The dash-dot-dash lines represent boundaries of the claimed design and form no part thereof.

(56) **References Cited**  
U.S. PATENT DOCUMENTS

D95,814 S \* 6/1935 Garvey ..... D7/397  
D124,523 S \* 1/1941 Youngberg ..... D7/300.2  
D156,703 S \* 1/1950 Croft ..... D7/300.1  
D192,909 S \* 5/1962 Morris ..... D9/440  
D324,562 S \* 3/1992 Heitz ..... D23/213  
D327,848 S \* 7/1992 Hanover ..... 215/388  
D353,874 S \* 12/1994 Clivio ..... D23/213  
D359,547 S \* 6/1995 Wang ..... D23/213  
D362,590 S \* 9/1995 Larson ..... D7/387  
D431,004 S \* 9/2000 Naslund ..... D9/435  
D445,335 S \* 7/2001 Hou ..... D9/436  
D467,637 S \* 12/2002 Chen ..... D23/223  
D470,567 S \* 2/2003 Alkalay ..... D23/223  
D499,790 S \* 12/2004 Chen ..... D23/223

**1 Claim, 6 Drawing Sheets**



(56)

**References Cited**

U.S. PATENT DOCUMENTS

D782,305 S \* 3/2017 Lane ..... D9/436  
D790,913 S \* 7/2017 Stover ..... D7/396.2

\* cited by examiner

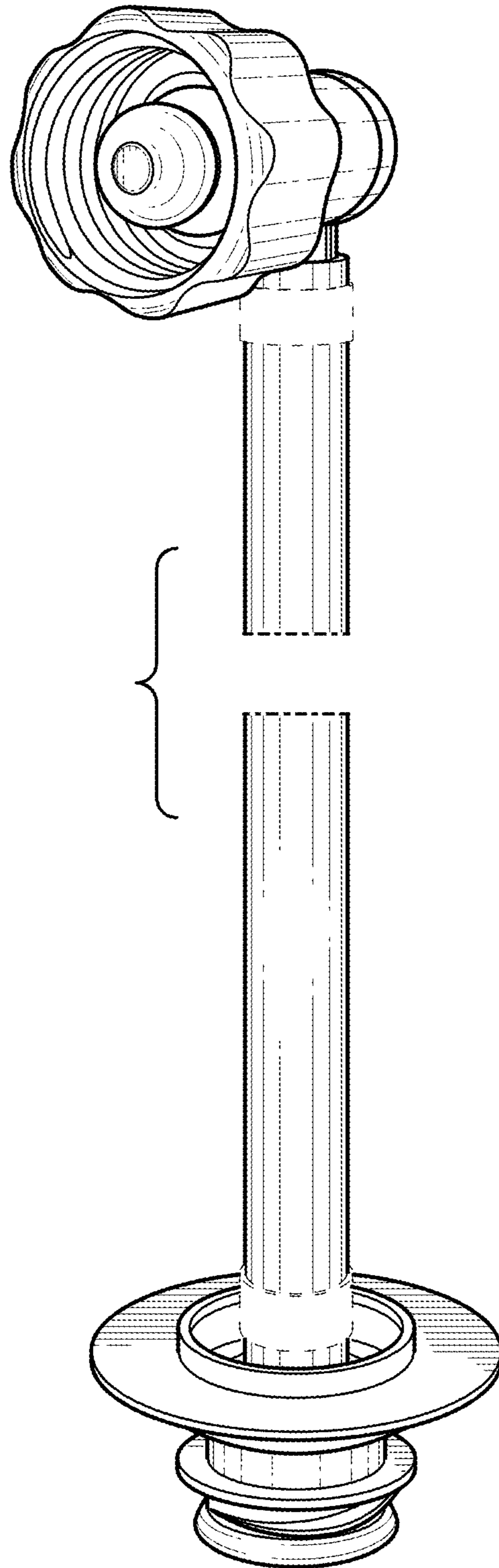


FIG. 1

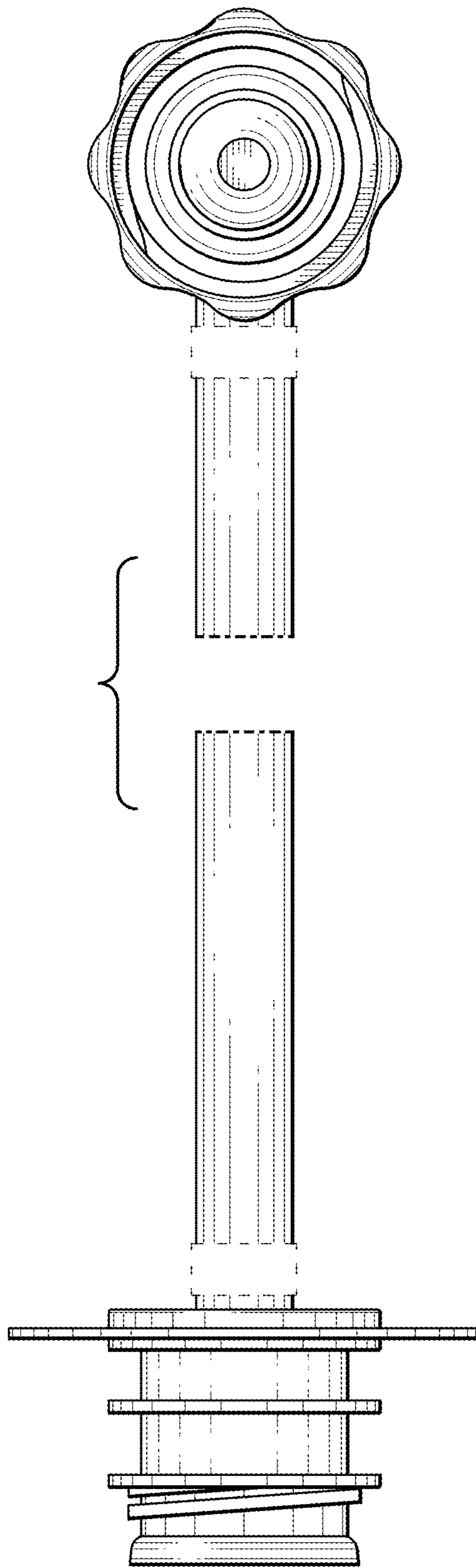


FIG. 2

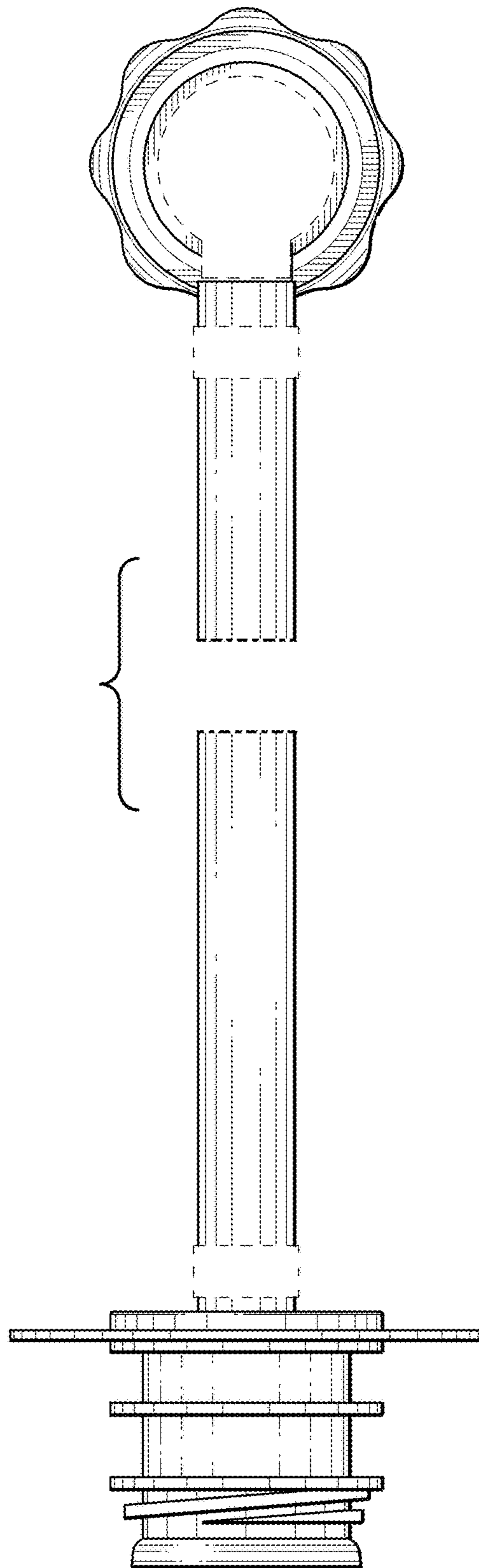


FIG. 3

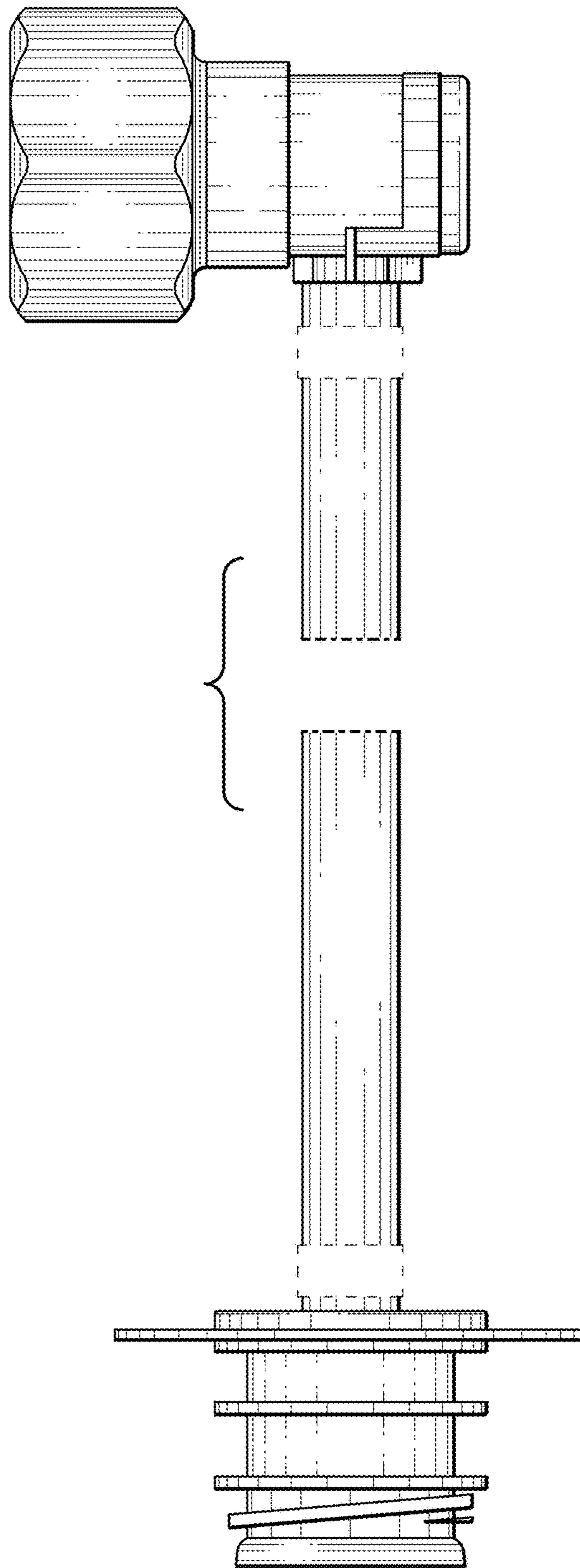


FIG. 4



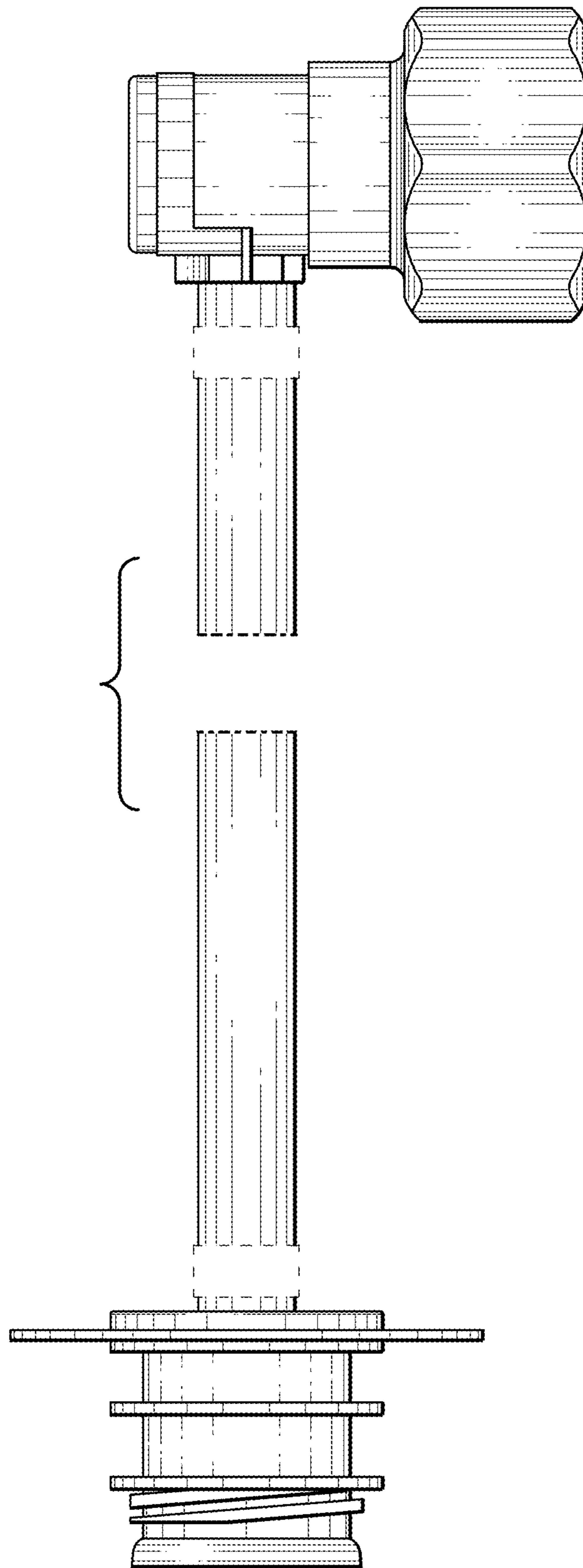


FIG. 5

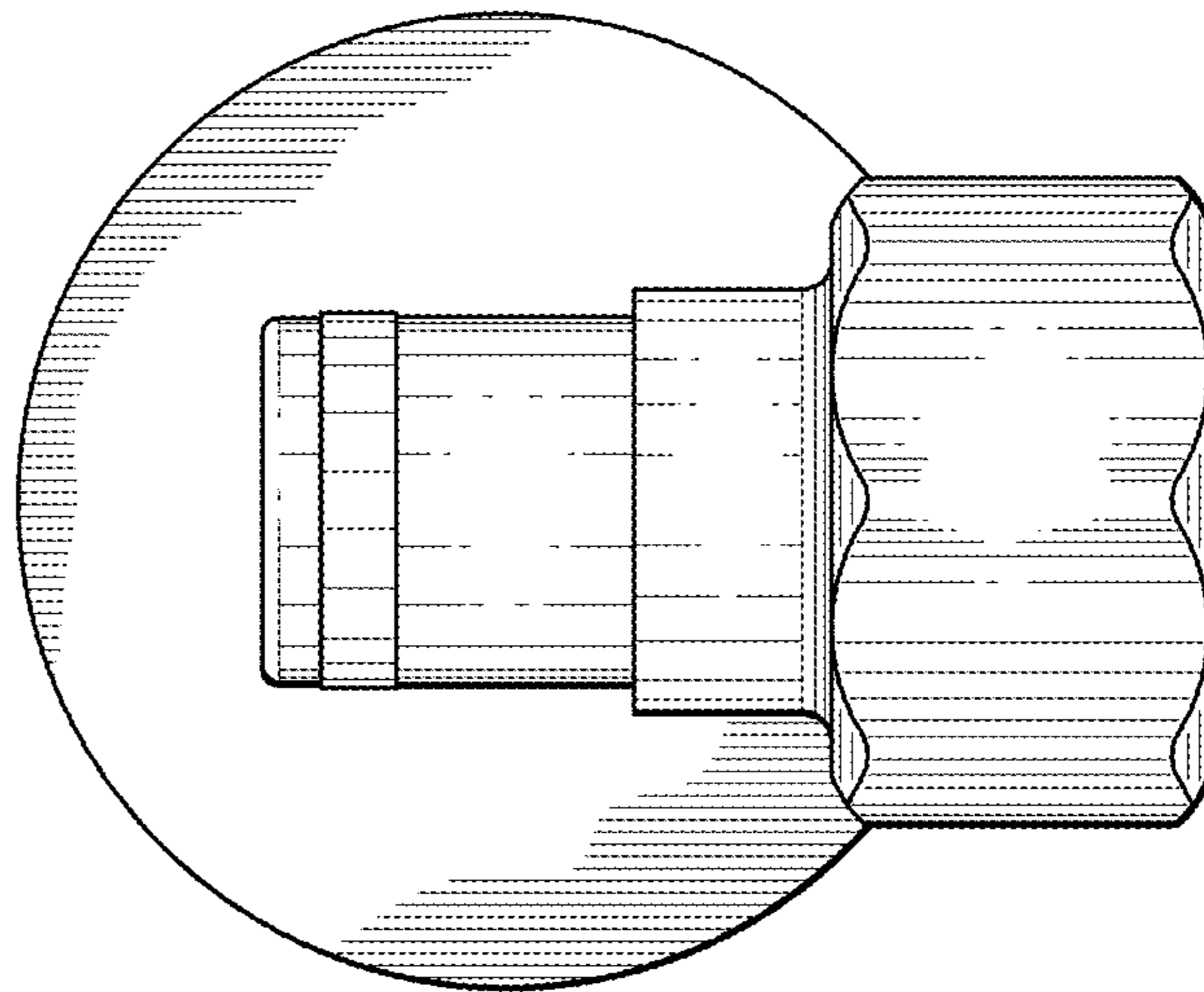


FIG. 6

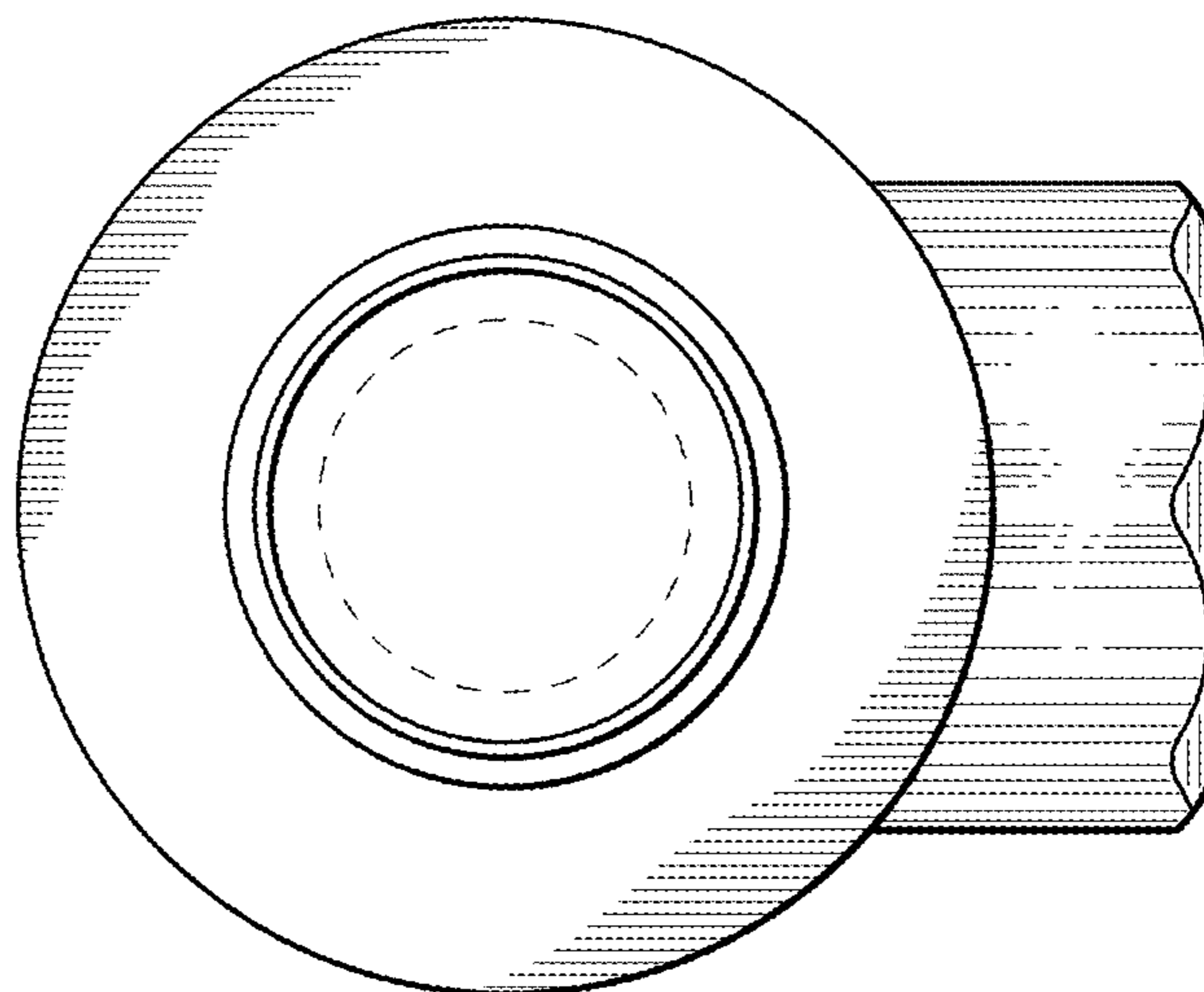


FIG. 7