



US00D823113S

(12) **United States Design Patent**
Lospinoso et al.

(10) **Patent No.:** **US D823,113 S**
(45) **Date of Patent:** **** Jul. 17, 2018**

(54) **PULL TAB FOR A SINGLE-USE PILL DISPENSER**

D578,019 S * 10/2008 Friedland D9/707
D581,268 S * 11/2008 Heath D9/443
D609,738 S * 2/2010 Goble D17/20

(Continued)

(71) Applicants: **Maurice Lospinoso**, Marina Del Ray, CA (US); **Christopher Lospinoso**, Marina Del Rey, CA (US)

(72) Inventors: **Maurice Lospinoso**, Marina Del Ray, CA (US); **Christopher Lospinoso**, Marina Del Rey, CA (US)

(**) Term: **15 Years**

(21) Appl. No.: **29/599,546**

(22) Filed: **Apr. 4, 2017**

(51) **LOC (11) Cl.** **09-07**

(52) **U.S. Cl.**
USPC **D9/438**; D9/436

(58) **Field of Classification Search**
USPC D3/318, 203.1, 203.2; D7/213, 300, 317, D7/387, 397, 398, 401.1, 590; D8/300, D8/310, 312, 321; D9/434-436, 439, D9/440, 442, 443, 445, 447, 448, D9/452-454, 499, 438; D23/208, 260; D17/20
CPC B65D 2101/0007; B65D 2205/025
See application file for complete search history.

(56) **References Cited**

U.S. PATENT DOCUMENTS

1,263,740 A * 4/1918 Burdwise G10D 3/163
84/322
2,898,003 A * 8/1959 Wilson B65D 25/42
156/296
5,253,562 A * 10/1993 Kline G10D 3/163
84/322
D445,673 S * 7/2001 Richardson D28/8.1
D515,915 S * 2/2006 Karim D28/8.1
D561,237 S * 2/2008 Morris D17/20
D564,350 S * 3/2008 Zahrobsky D9/434

OTHER PUBLICATIONS

EZ Needs. International Delight Hazelnut Coffee Creamer Singles. 2017 [earliest online date], [site visited Jan. 29, 2018]. Available from Internet, <URL:https://ezneeds.com/products/grocery/international-delight-hazelnut-coffee-creamer-singles-192-ct/>. (Year: 2017).*

(Continued)

Primary Examiner — Eric L Goodman
Assistant Examiner — Darcey E Heflin
(74) *Attorney, Agent, or Firm* — Locke Lord LLP

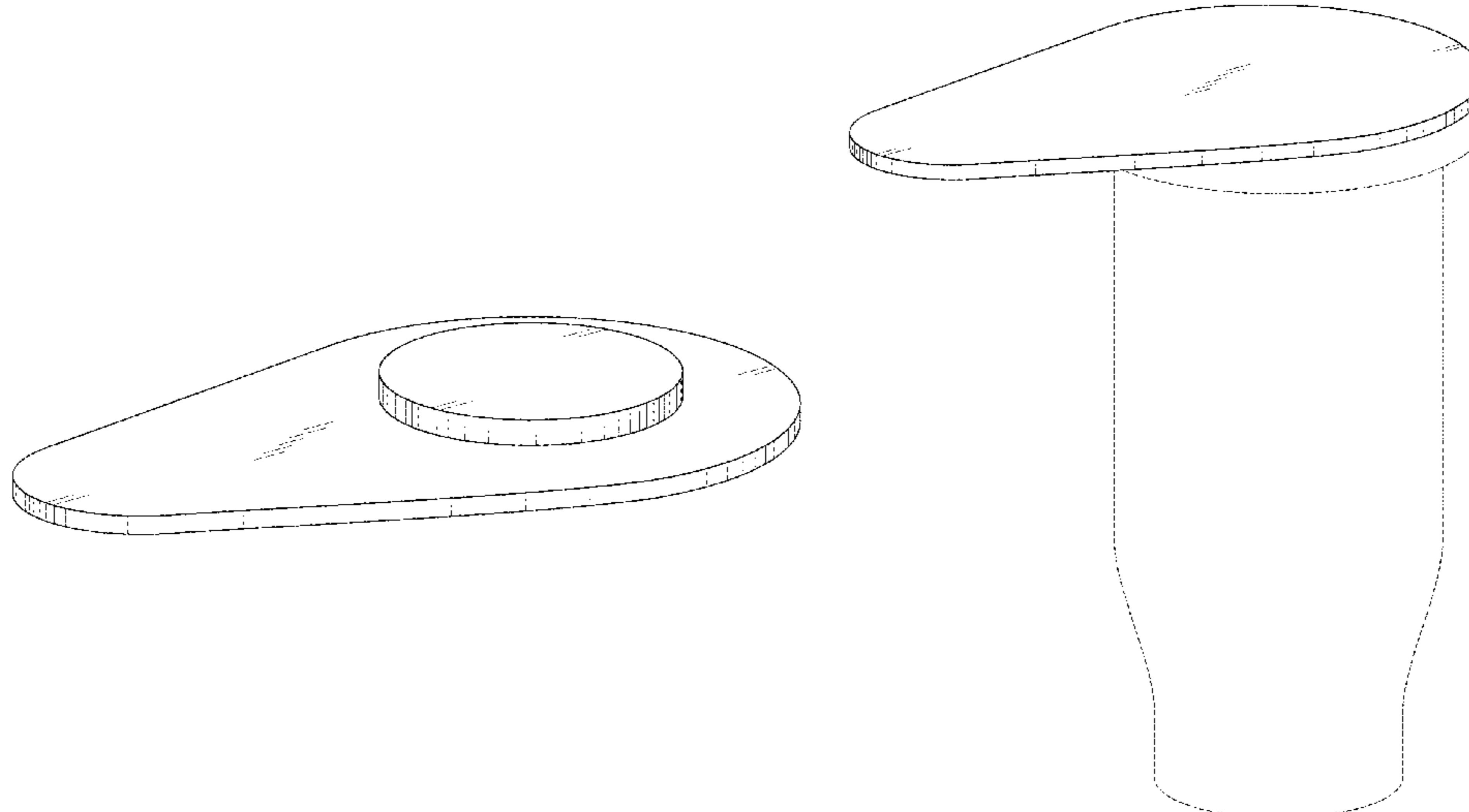
(57) **CLAIM**

The ornamental design for a pull tab for a single-use pill dispenser, as shown and described.

DESCRIPTION

FIG. 1 is a perspective view of the pull tab for a single-use pill dispenser according to our new design;
FIG. 2 is a rear side view of the pull tab for a single-use pill dispenser according to our new design;
FIG. 3 is a front side view of the pull tab for a single-use pill dispenser according to our new design;
FIG. 4 is a left side view of the pull tab for a single-use pill dispenser according to our new design;
FIG. 5 is a right side view of the pull tab for a single-use pill dispenser according to our new design;
FIG. 6 is a bottom view of the pull tab for a single-use pill dispenser according to our new design;
FIG. 7 is a top view of the pull tab for a single-use pill dispenser according to our new design; and,
FIG. 8 is a perspective view of the pull tab attached to a single-use pill dispenser according to our new design.
In the drawings, the broken line showing of a dispenser depicts environment and forms no part of the claim.

1 Claim, 6 Drawing Sheets



(56)

References Cited

U.S. PATENT DOCUMENTS

D621,719 S *	8/2010	Caldwell	D9/707
D632,563 S *	2/2011	Sitabkhan	D9/435
D632,568 S *	2/2011	Caldwell	D9/435
D642,055 S *	7/2011	Schedl	D9/435
D661,726 S *	6/2012	Goble	D17/20
D694,811 S *	12/2013	Houck, Jr.	D17/20
D721,271 S *	1/2015	Fabiszewski	D9/438

OTHER PUBLICATIONS

On Call International. Travel Cheat Sheet of the Month: How to Keep Your Medications Safe in the Heat. Aug. 5, 2014 [earliest online date], [site visited Jan. 29, 2018]. Available from Internet, <URL:<https://blog.oncallinternational.com/travel-cheat-sheet-month-keep-medications-safe-heat/>>. (Year: 2014).*

* cited by examiner

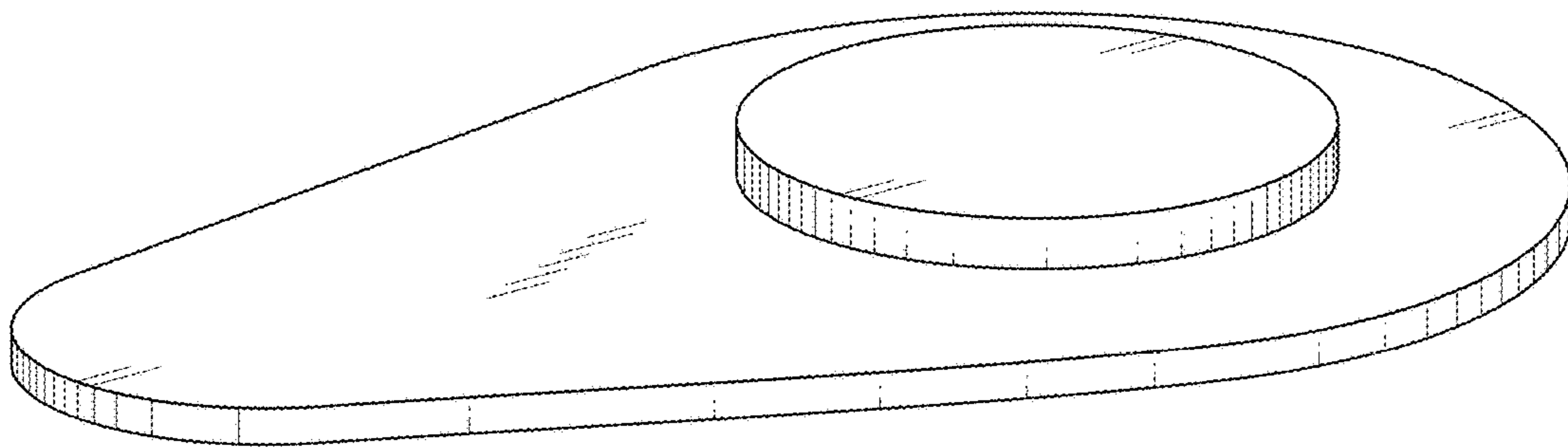


FIG. 1

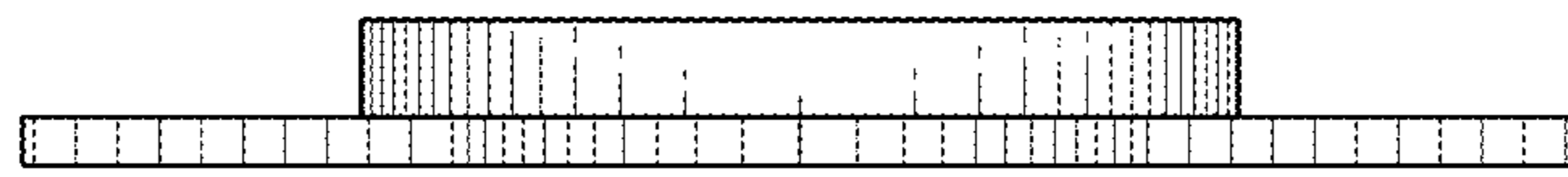


FIG. 2



FIG. 3

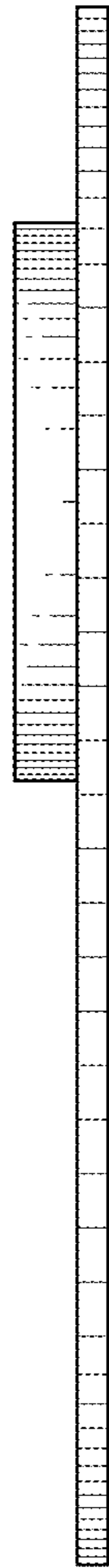


FIG. 4

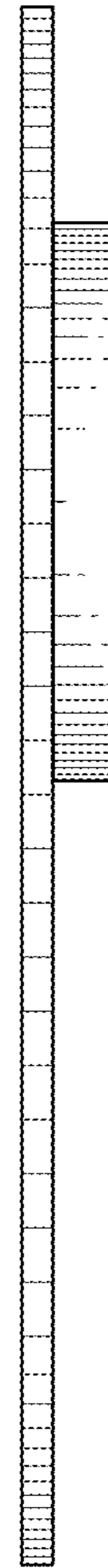


FIG. 5

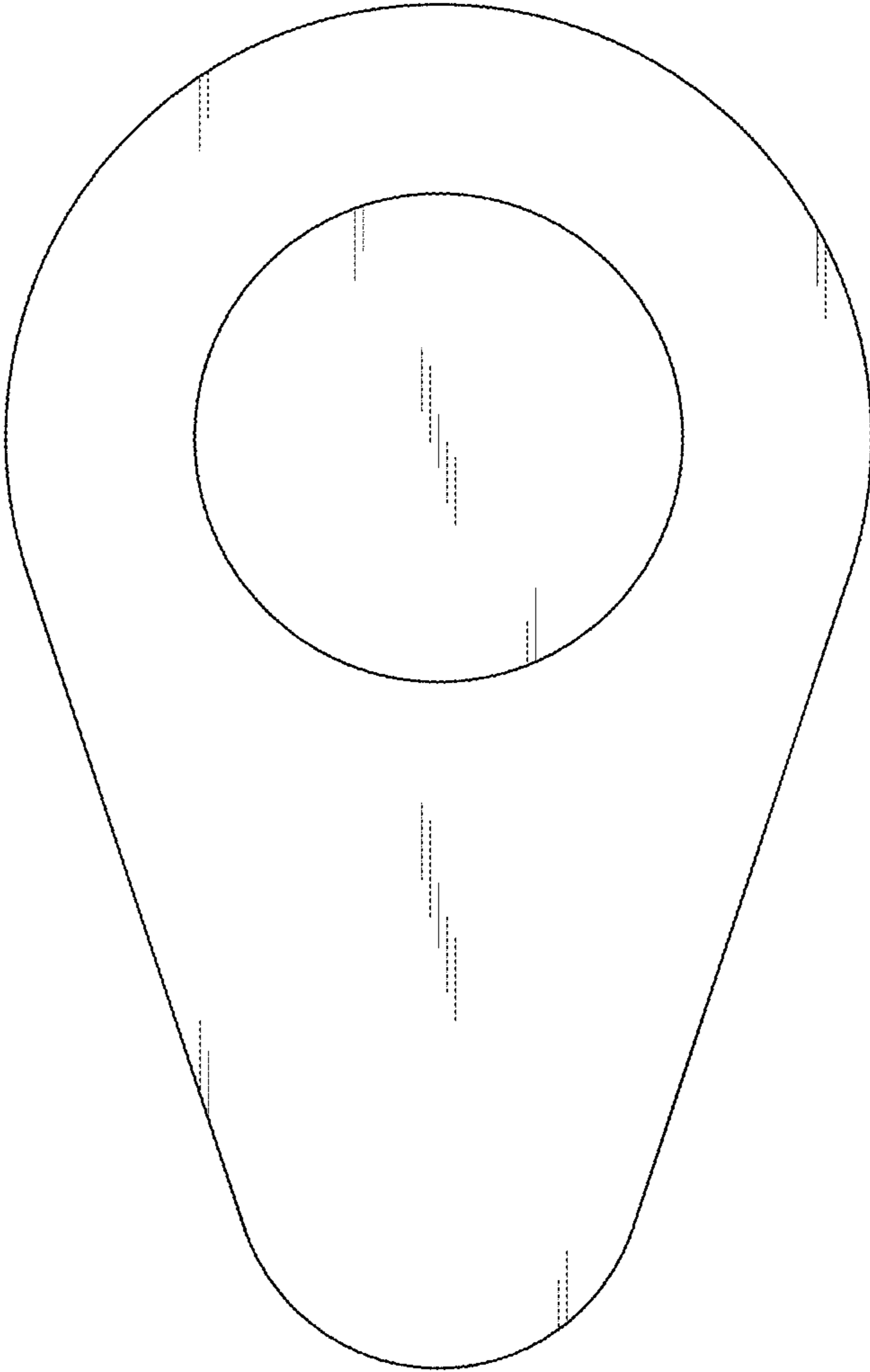


FIG. 6

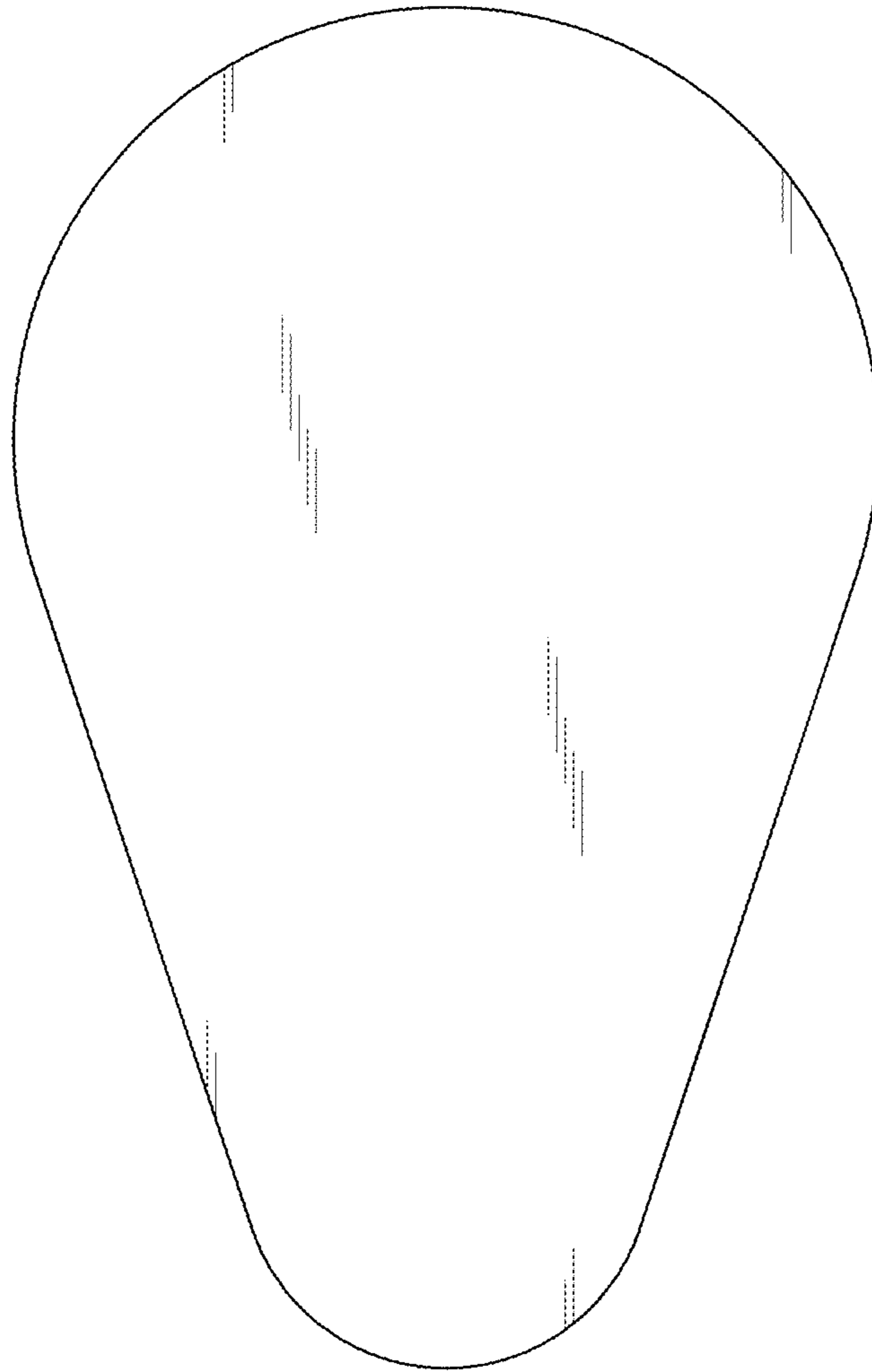


FIG. 7

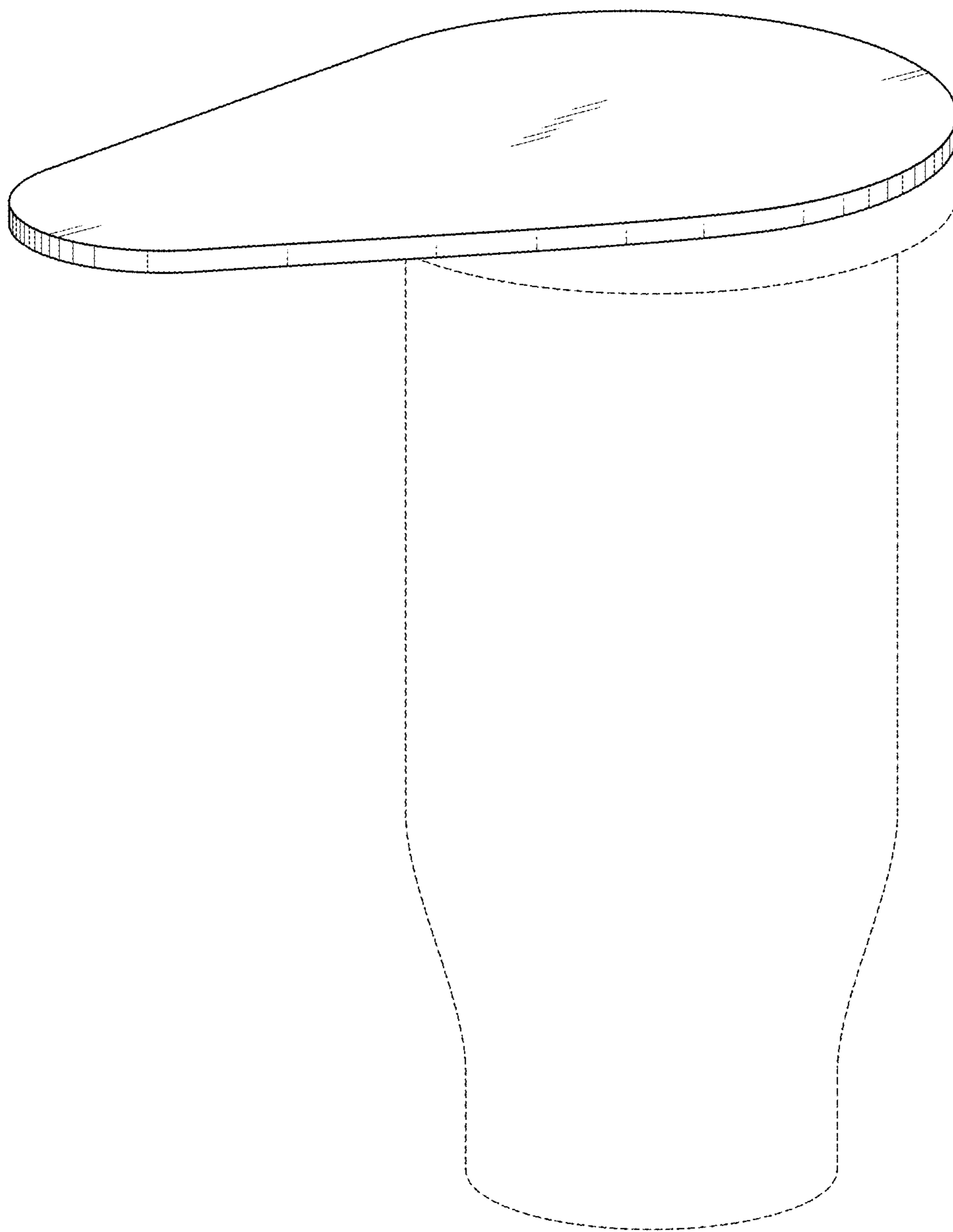


FIG. 8