



US00D823110S

(12) **United States Design Patent** (10) **Patent No.:** **US D823,110 S**  
**Koe** (45) **Date of Patent:** **\*\* Jul. 17, 2018**

(54) **COMBINED BOTTLE LID AND APPLICATOR**

(71) Applicant: **Frank Theodore Koe**, State College, PA (US)

(72) Inventor: **Frank Theodore Koe**, State College, PA (US)

(\*\*) Term: **15 Years**

(21) Appl. No.: **29/505,180**

(22) Filed: **Sep. 10, 2015**

(51) **LOC (11) Cl.** ..... **09-07**

(52) **U.S. Cl.**  
USPC ..... **D9/436**

(58) **Field of Classification Search**  
USPC ..... D7/670, 300.2, 305, 391, 401.1, 649; D8/16, 19, 45, 14; D9/434, 435, 436, D9/440, 445, 447, 449, 453, 686, 688, D9/690, 691, 692, 444; D10/57, 61, 62; D24/111, 113, 114, 127, 128, 119, 133, D24/136; D28/7, 59, 77, 8, 20, 21, 22, D28/30, 31, 76, 85, 99; D32/42, 45; D19/194; D4/127, 129  
CPC .... B65D 51/32; B65D 51/246; B65D 77/245; A46B 17/02; A47G 19/186; Y10S 215/05; A61M 39/20; A61M 2005/3104; A61M 5/3213; A61M 2039/0288; Y10T 137/7062; G21F 5/018; A45D 33/36; A45D 2200/10; A45D 2200/1009; A45D 2200/1018; A45D 2200/1027; A45D 2200/1063; A45D 34/002; A45D 34/005; A45D 34/007; A45D 34/04; A45D 34/041; A45D 34/042; A45D 34/043; A45D 34/045; A45D 34/046; A45D 34/047; A45D 34/048; A45D 34/06; A47L 13/16; A47L 13/18; A47L 23/05; A47L 23/10

See application file for complete search history.

(56) **References Cited**

U.S. PATENT DOCUMENTS

|               |         |                |                        |
|---------------|---------|----------------|------------------------|
| 1,391,371 A   | 9/1921  | Condon         |                        |
| 1,834,085 A   | 12/1931 | Bloom          |                        |
| 1,840,662 A   | 1/1932  | Fischer        |                        |
| 2,106,313 A * | 1/1938  | Amrine .....   | A47G 19/186<br>220/735 |
| 2,149,698 A * | 3/1939  | Humphrey ..... | B65D 51/246<br>141/112 |

(Continued)

FOREIGN PATENT DOCUMENTS

|    |                |           |
|----|----------------|-----------|
| JP | D1514286       | * 12/2014 |
| KR | 300852184.0000 | * 5/2016  |

OTHER PUBLICATIONS

Glass Applicator Rod: Announced Mar. 29, 2014 [online], site visited Aug. 22, 2017. Available from internet URL: <https://web.archive.org/web/20140329082514/http://www.sunburstbottle.com/glass-applicator-rod/p/ROD14/>.\*

*Primary Examiner* — Thomas Johannes

*Assistant Examiner* — Catherine S Posthauer

(74) *Attorney, Agent, or Firm* — Clark & Brody

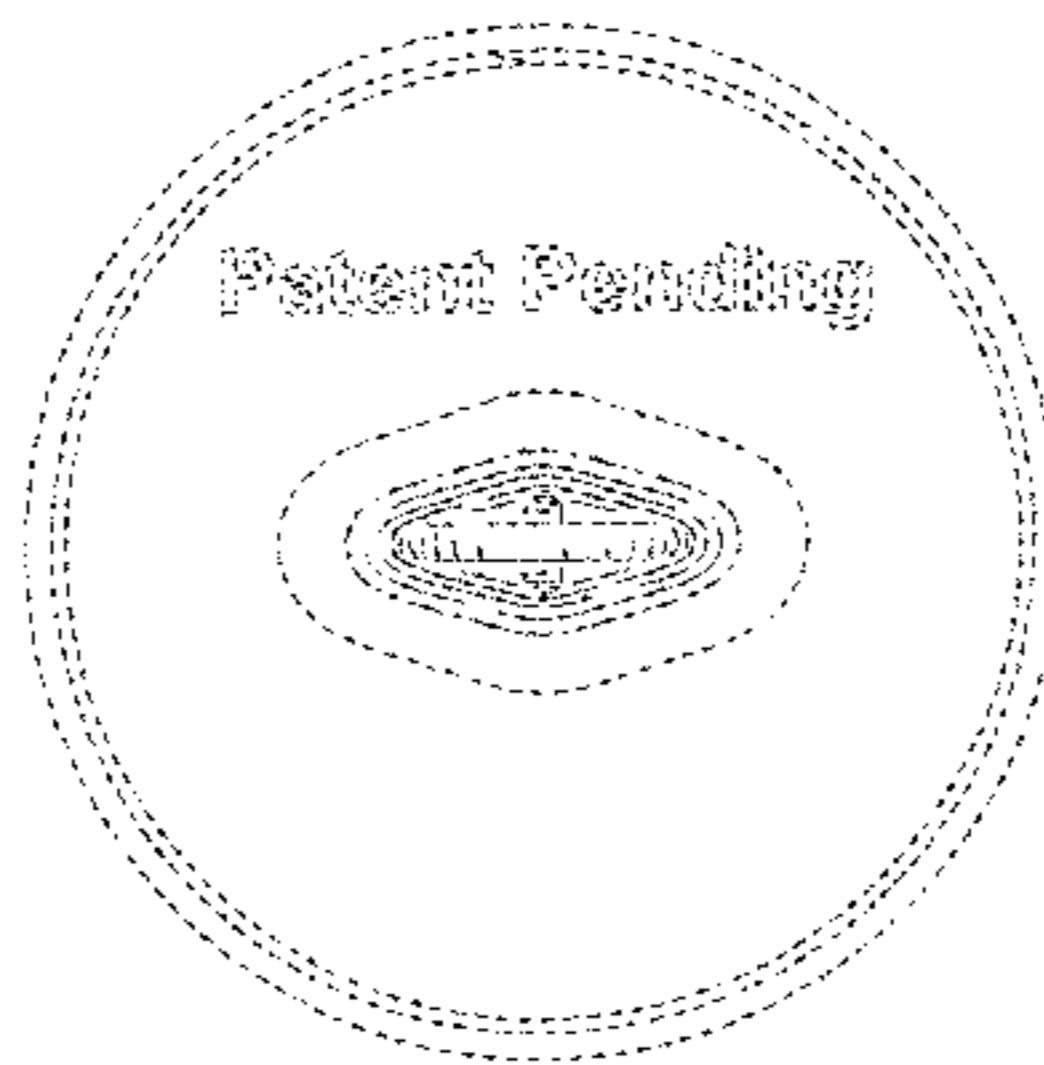
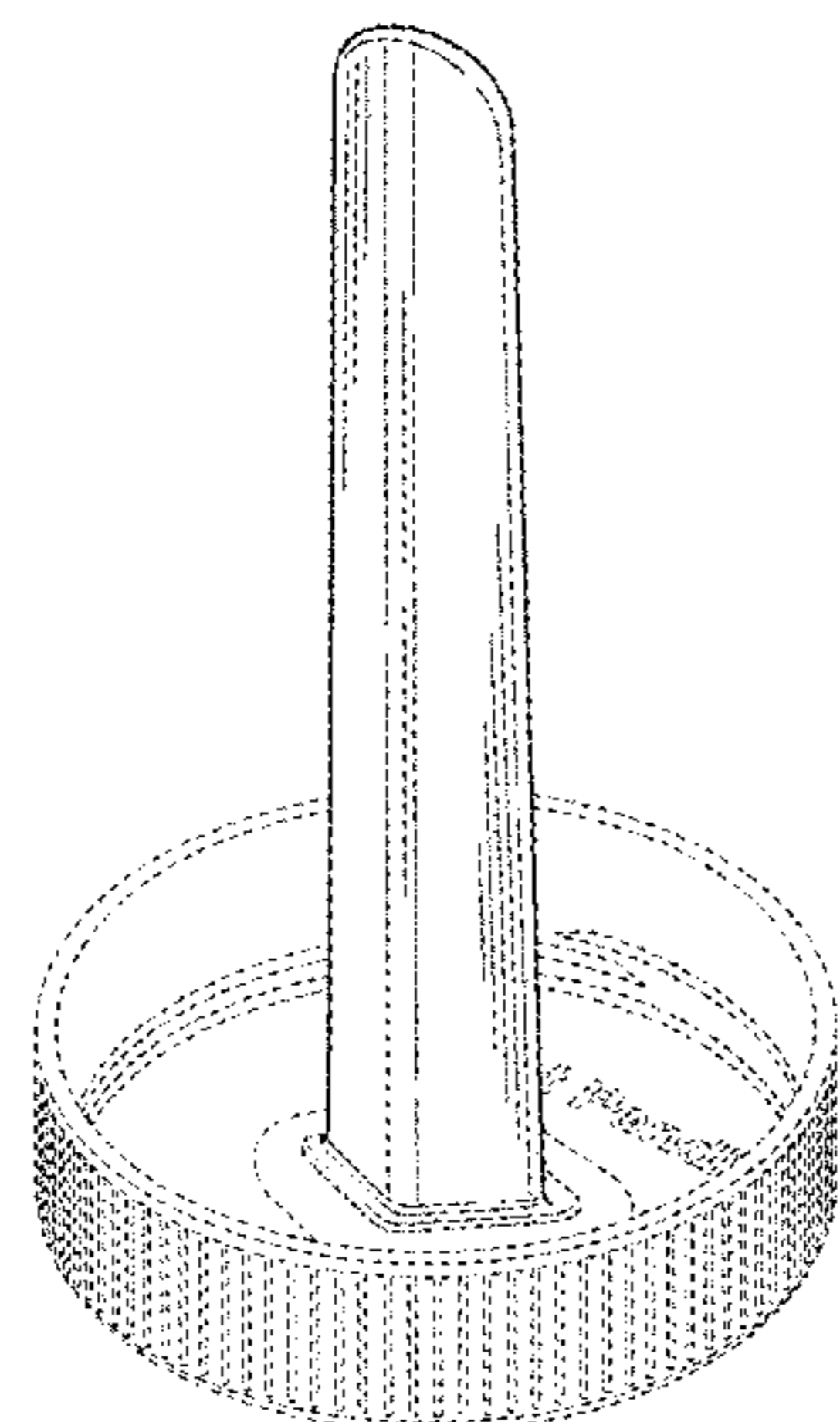
(57) **CLAIM**

The ornamental design for a combined bottle lid and applicator, as shown and described.

**DESCRIPTION**

FIG. 1 is a top side perspective view of the combined bottle lid and applicator showing my new design; FIG. 2 is a front side view thereof; FIG. 3 is a rear side view thereof; FIG. 4 is a right side thereof; FIG. 5 is a left side thereof; FIG. 6 is a top side view thereof; and, FIG. 7 is a bottom side view thereof.

(Continued)



The broken lines in the drawings are shown for the purpose of illustrating parts of the article that form no part of the claim.

**1 Claim, 4 Drawing Sheets**

(56)

**References Cited**

U.S. PATENT DOCUMENTS

2,175,735 A \* 10/1939 Banks ..... A47G 19/186  
 141/112  
 2,561,252 A \* 7/1951 Waring ..... A45D 34/045  
 401/119  
 3,085,281 A \* 4/1963 Massman ..... A45D 34/048  
 366/130  
 4,192,360 A \* 3/1980 Rodriquez ..... A61J 7/0023  
 141/24  
 4,717,032 A \* 1/1988 Wu ..... A45D 40/265  
 215/228  
 D302,793 S \* 8/1989 Yamaguchi ..... D7/643  
 D305,089 S \* 12/1989 Thompson ..... D7/376  
 D313,923 S \* 1/1991 Poe, Jr. .... D7/693  
 D331,348 S \* 12/1992 Park ..... D7/300.2  
 5,251,774 A \* 10/1993 Engle ..... A47G 19/186  
 215/228  
 D363,220 S \* 10/1995 Charbonneau ..... D9/436  
 D387,631 S \* 12/1997 Thibault ..... D7/693  
 D409,914 S \* 5/1999 Mark ..... D24/152

D425,618 S \* 5/2000 Niermann ..... D24/122  
 D468,424 S \* 1/2003 Levesque ..... D24/119  
 D481,313 S \* 10/2003 Archer ..... D9/436  
 D491,026 S \* 6/2004 Welch ..... D7/652  
 D498,652 S \* 11/2004 Tilton ..... D8/45  
 D539,417 S \* 3/2007 Cimino ..... D24/108  
 D545,448 S \* 6/2007 Eriksson ..... D24/224  
 D596,440 S \* 7/2009 Rothberg ..... D7/300.2  
 7,644,832 B1 \* 1/2010 Tsengas ..... B65D 43/0208  
 220/212  
 8,079,488 B2 \* 12/2011 Darflinger ..... B65D 51/246  
 206/541  
 D715,400 S \* 10/2014 Spraw ..... D23/213  
 D734,540 S \* 7/2015 Ettlin ..... D28/7  
 D762,472 S \* 8/2016 Tahmas ..... D10/46.2  
 D779,056 S \* 2/2017 Brannon ..... D24/127  
 D779,937 S \* 2/2017 Lane ..... D9/436  
 D781,147 S \* 3/2017 Bristow ..... D9/453  
 D787,742 S \* 5/2017 Cash ..... D28/7  
 D790,341 S \* 6/2017 Ross ..... D9/447  
 2004/0123620 A1 \* 7/2004 Porter ..... F25D 31/007  
 62/457.3  
 2008/0149637 A1 6/2008 Hanafusa  
 2012/0065611 A1 \* 3/2012 Musani ..... A61M 5/1782  
 604/415  
 2012/0285845 A1 11/2012 Jackson  
 2015/0080910 A1 \* 3/2015 Ismiel-Nash ..... A45D 26/00  
 606/134  
 2015/0374099 A1 \* 12/2015 Pires ..... A45D 40/265  
 401/130

\* cited by examiner

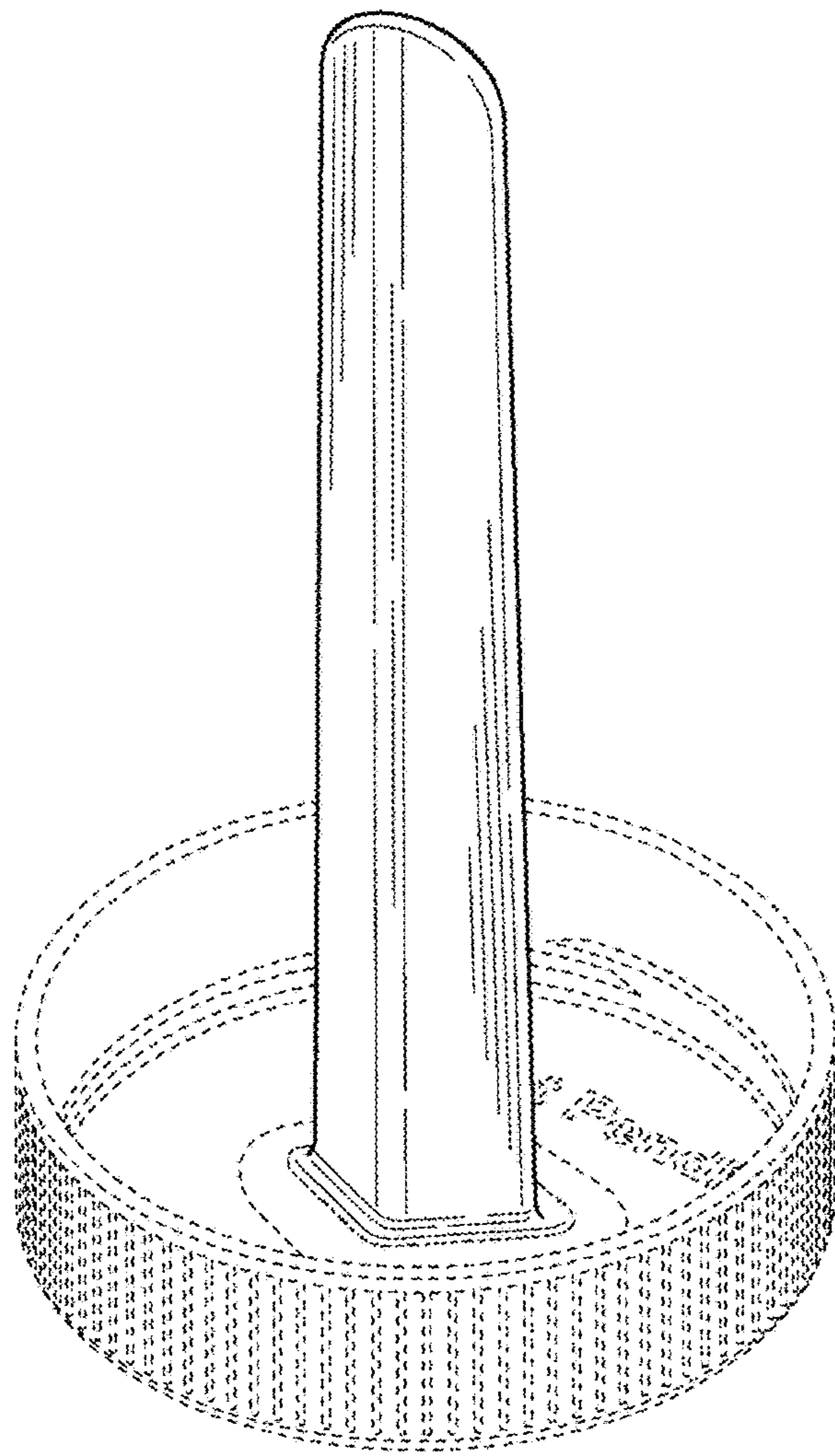


FIG. 1

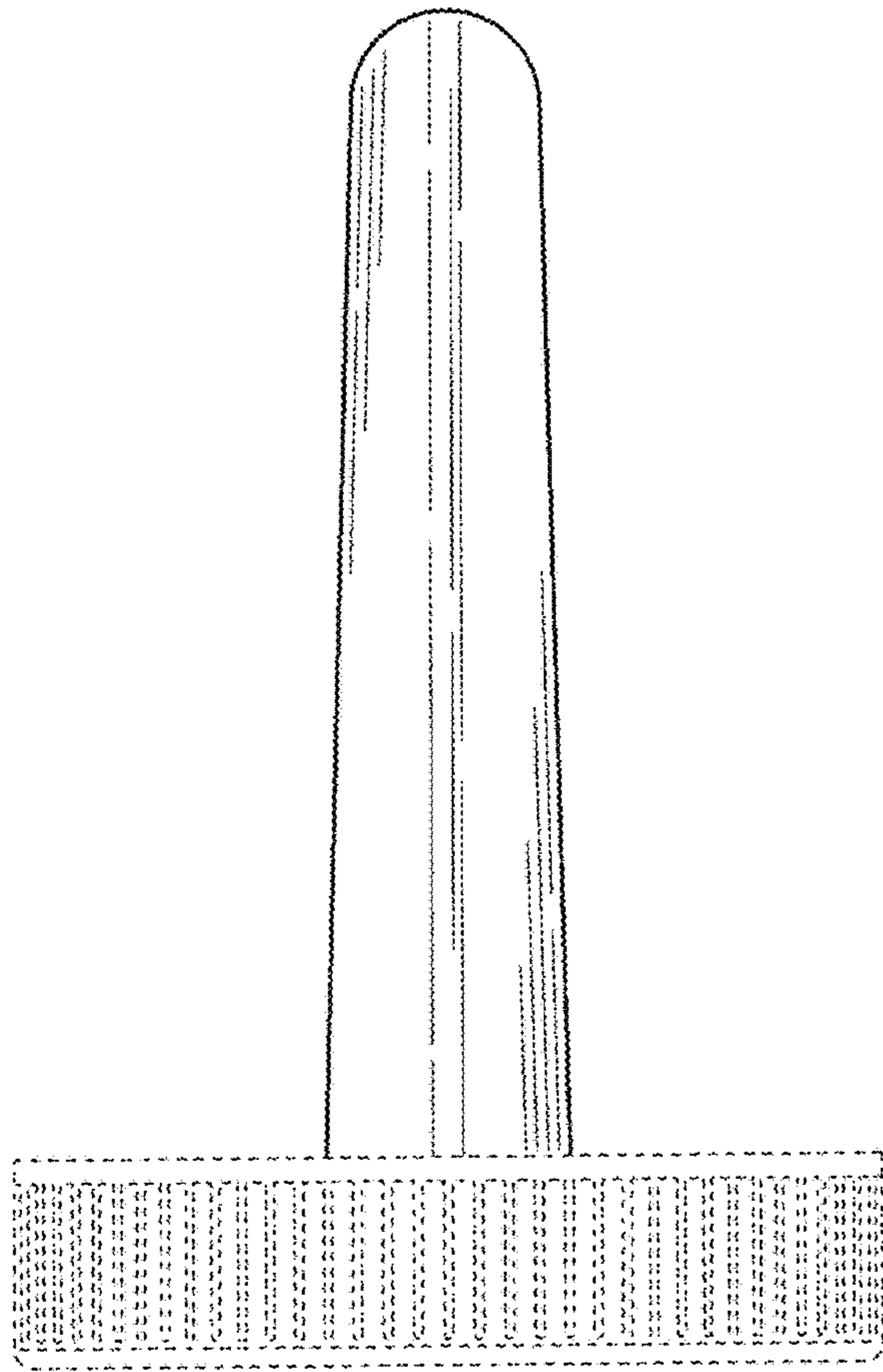


FIG. 2

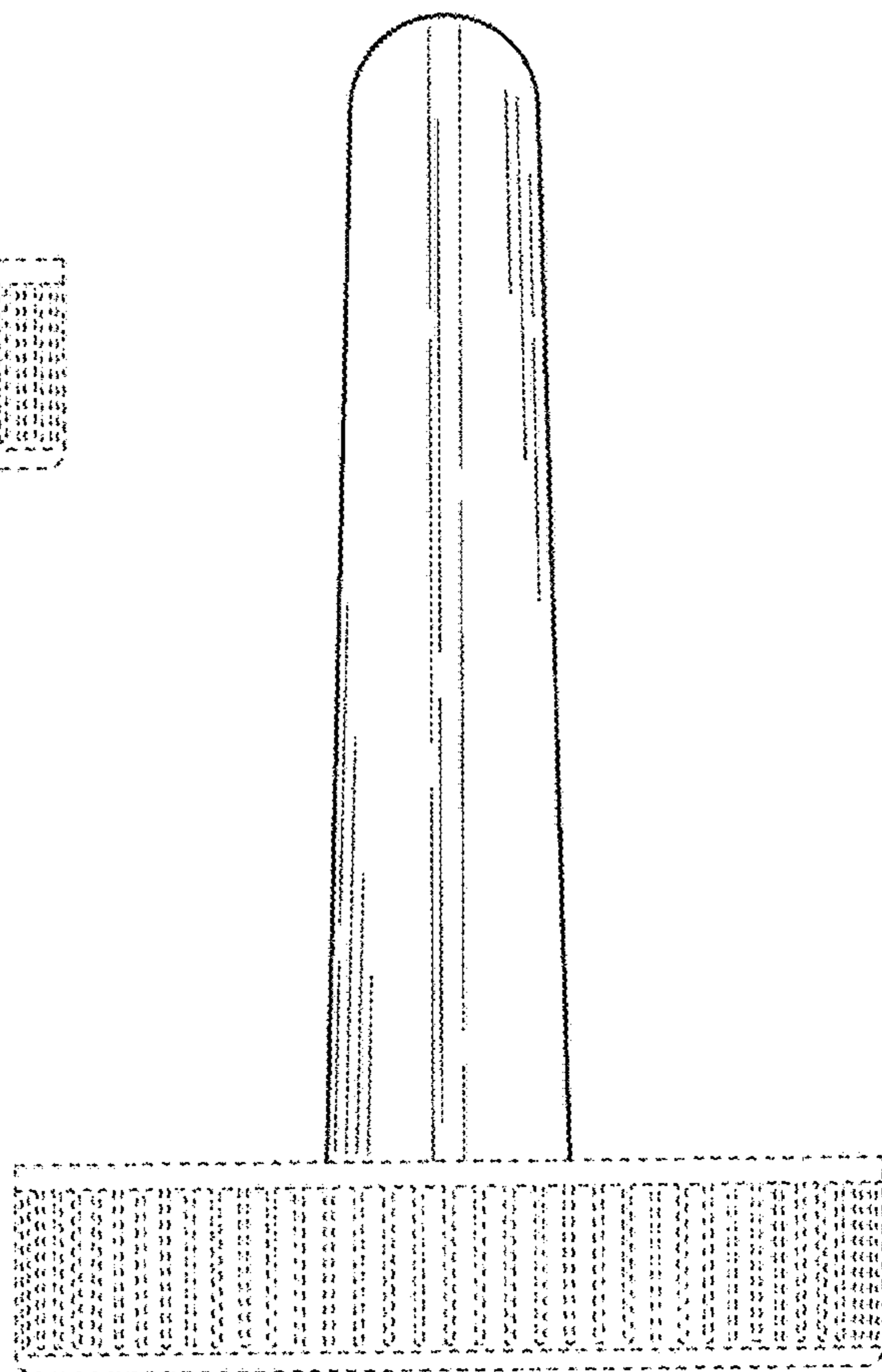


FIG. 3

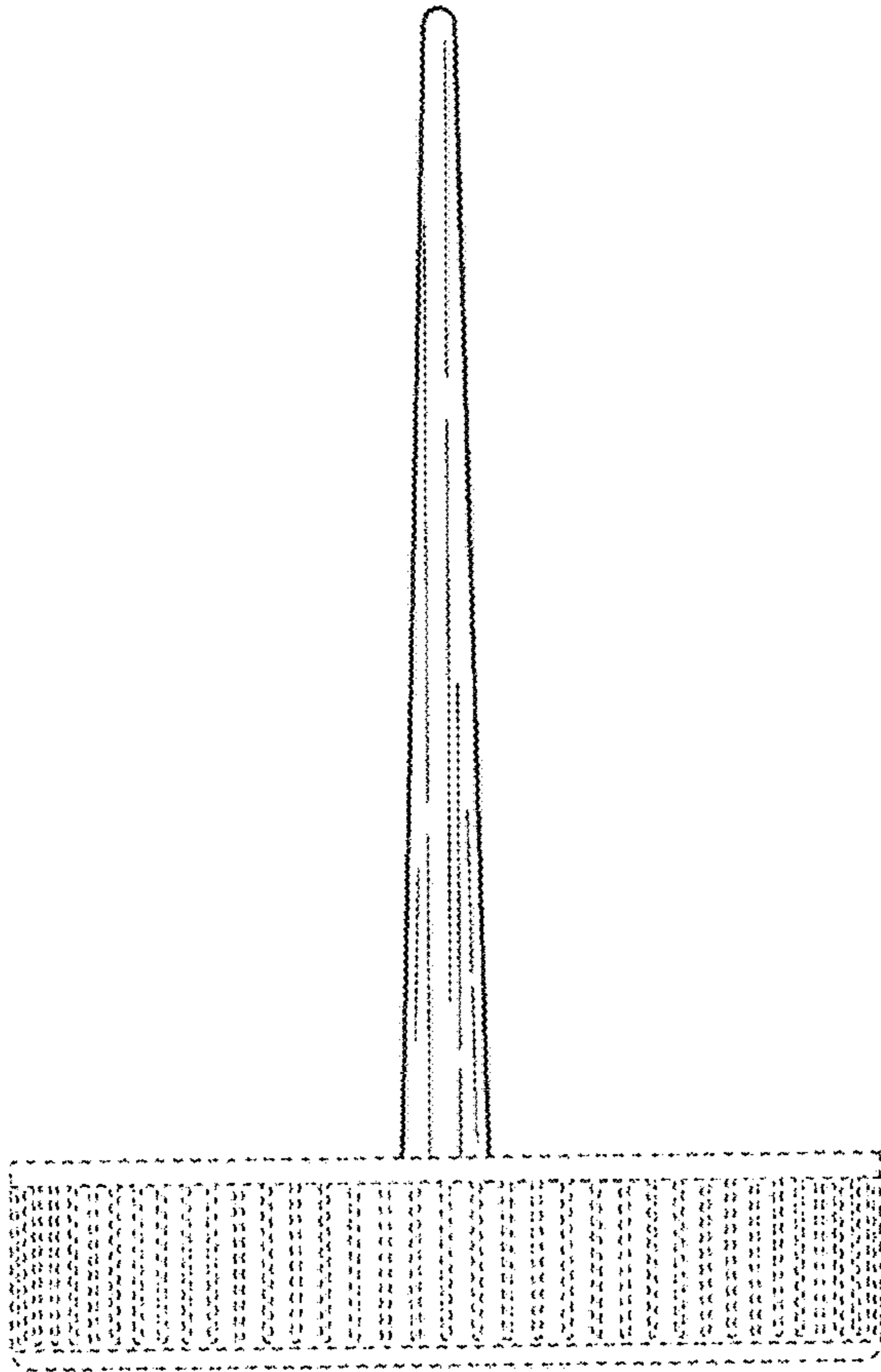


FIG. 4

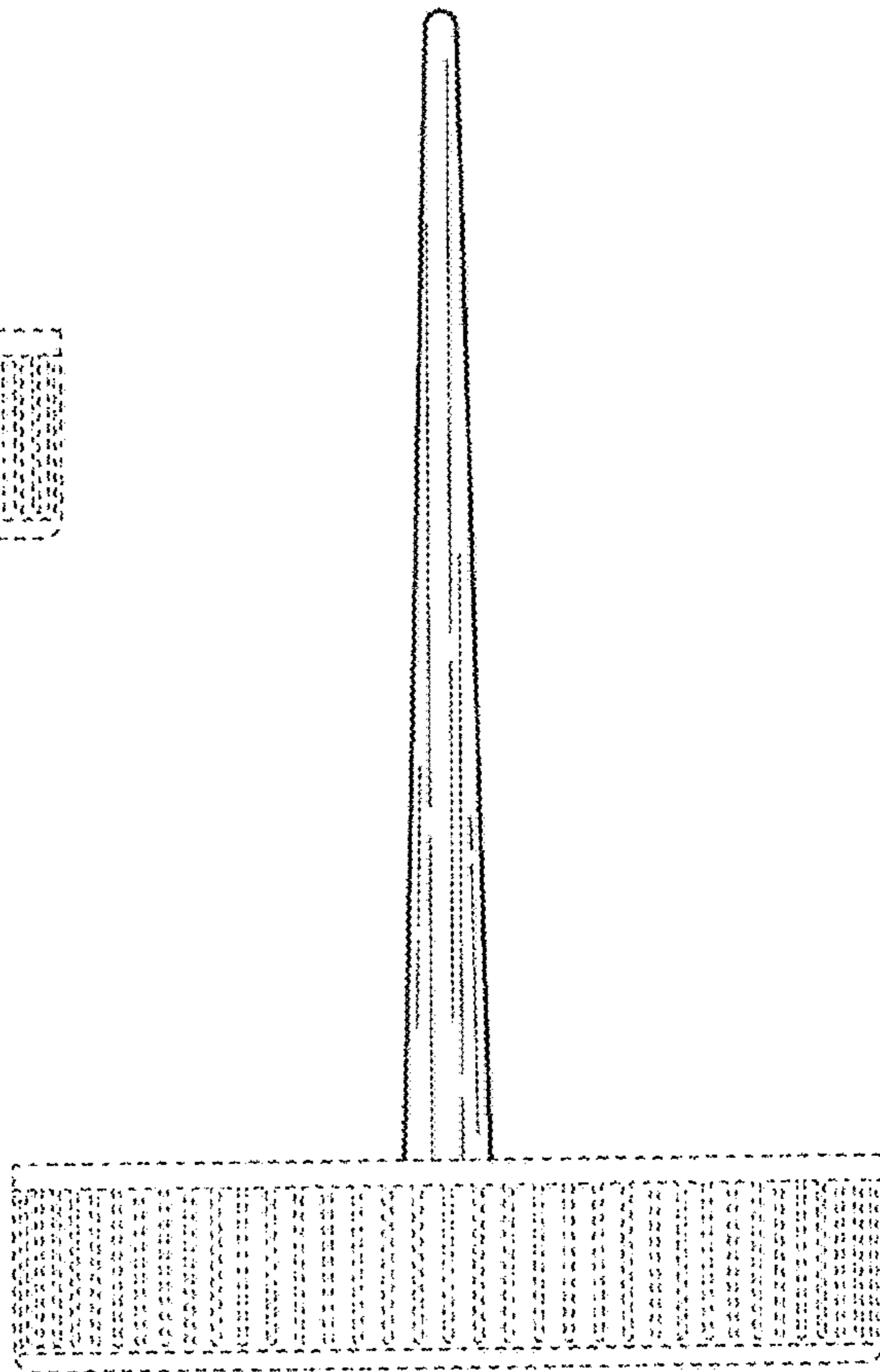


FIG. 5

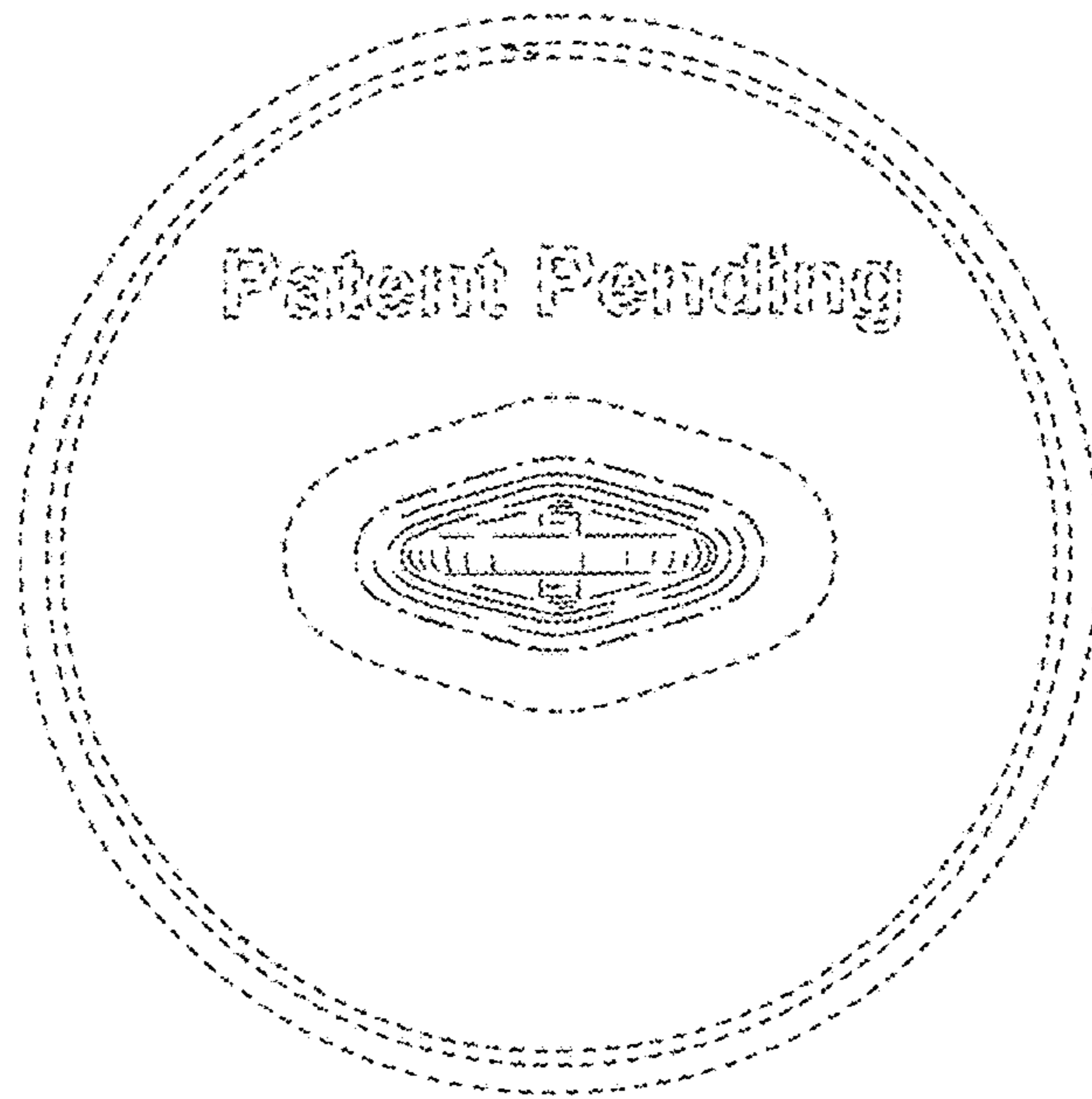


FIG. 6

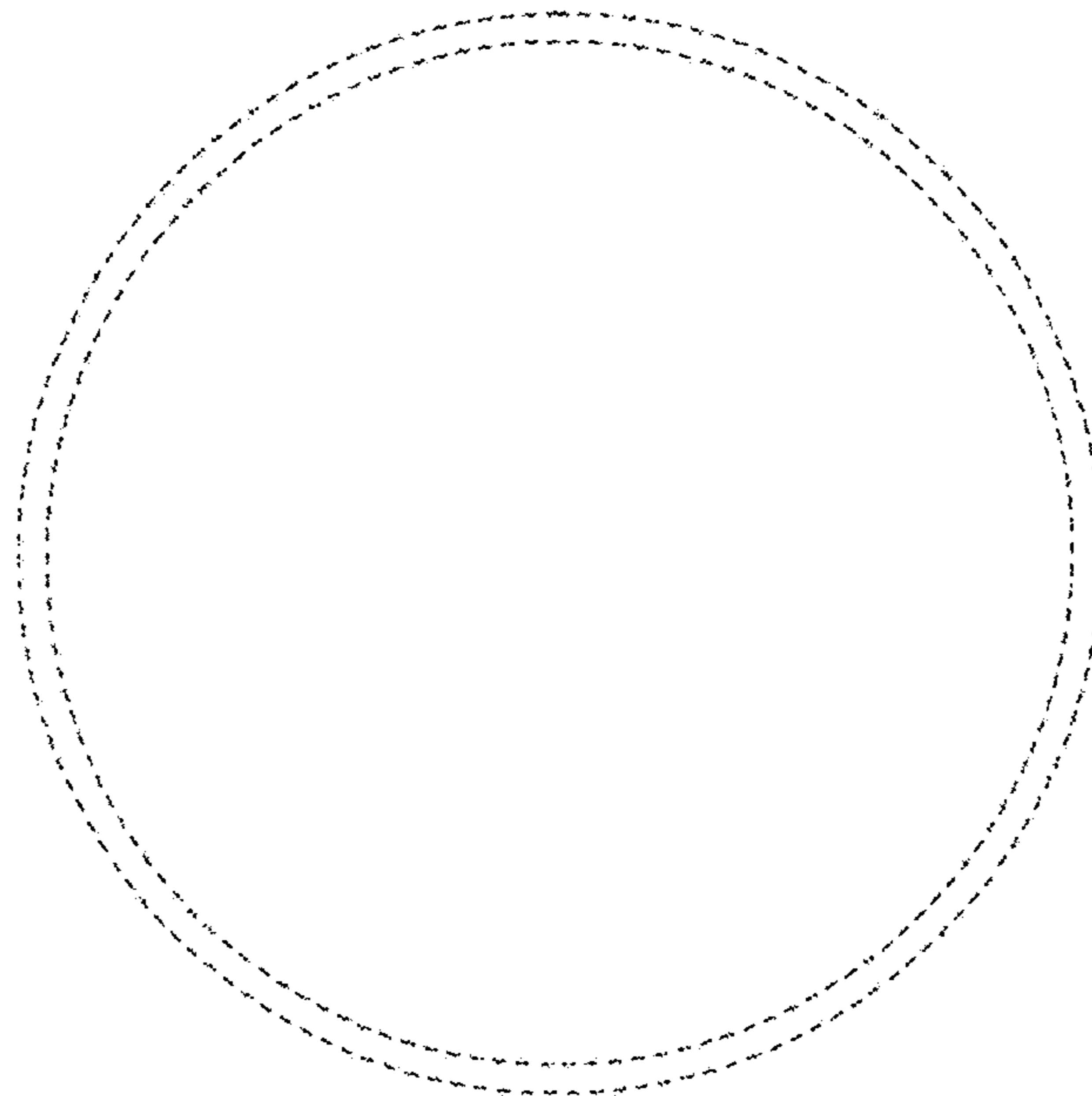


FIG. 7