



US00D823107S

(12) **United States Design Patent**
Sanfilippo et al.

(10) **Patent No.:** **US D823,107 S**

(45) **Date of Patent:** **** Jul. 17, 2018**

(54) **PACKAGE**

(71) Applicant: **PRIMAPAK, LLC**, Elgin, IL (US)

(72) Inventors: **James J. Sanfilippo**, Barrington Hills, IL (US); **Milorad Radenovic**, Chicago, IL (US)

(73) Assignee: **PRIMAPAK, LLC**, Elgin, IL (US)

(**) Term: **15 Years**

(21) Appl. No.: **29/581,919**

(22) Filed: **Oct. 24, 2016**

(51) **LOC (11) Cl.** **09-03**

(52) **U.S. Cl.**
USPC **D9/432**

(58) **Field of Classification Search**
USPC D3/201, 203.1, 203.5, 203.6; D7/601, D7/602, 609; D9/414-416, 418-423, D9/425, 426, 430-436, 444, 455-457, D9/499
CPC B65D 2577/205; B65D 5/706
See application file for complete search history.

(56) **References Cited**

U.S. PATENT DOCUMENTS

664,316	A	*	12/1900	Crump	B65D 5/706 229/123.3
D320,556	S	*	10/1991	Fairhurst	D6/559
D405,007	S	*	2/1999	Naas, Sr.	D27/189
D479,464	S	*	9/2003	Kopecky	D9/432
D484,046	S	*	12/2003	Kopecky	D9/432
D575,636	S	*	8/2008	Krautter	D9/420
D672,640	S	*	12/2012	Boissinot	D9/418
D695,104	S	*	12/2013	Sill	D9/418
D715,643	S		10/2014	Sanfilippo et al.		
D721,575	S	*	1/2015	Paboojian	D9/423
D746,673	S	*	1/2016	Sanfilippo	D9/416
D747,189	S	*	1/2016	Sanfilippo	D9/432
D747,646	S	*	1/2016	Sanfilippo	D9/416
D764,271	S	*	8/2016	Sanfilippo	D9/416

D764,903	S	*	8/2016	Sanfilippo	D9/416
D764,914	S	*	8/2016	Sanfilippo	D9/435
D766,082	S	*	9/2016	Sanfilippo	D9/434

(Continued)

OTHER PUBLICATIONS

Clear Lam. PrimaPak Systems. 2017 [earliest online date], [site visited Aug. 9, 2017]. Available from Internet, <URL:http://www.clearlam.com/primapak-systems/>.*

(Continued)

Primary Examiner — Eric L Goodman

Assistant Examiner — Darcey E Heflin

(74) *Attorney, Agent, or Firm* — Marshall, Gerstein & Borun LLP

(57) **CLAIM**

The ornamental design for a package, as shown and described.

DESCRIPTION

FIG. 1 is a front, right-side, and top isometric view of a package showing the new design.

FIG. 2 is a front elevation view of the package.

FIG. 3 is a right-side elevation view of the package.

FIG. 4 is a top plan view of the package.

FIG. 5 is a rear elevation view of the package.

FIG. 6 is a left-side elevation view of the package.

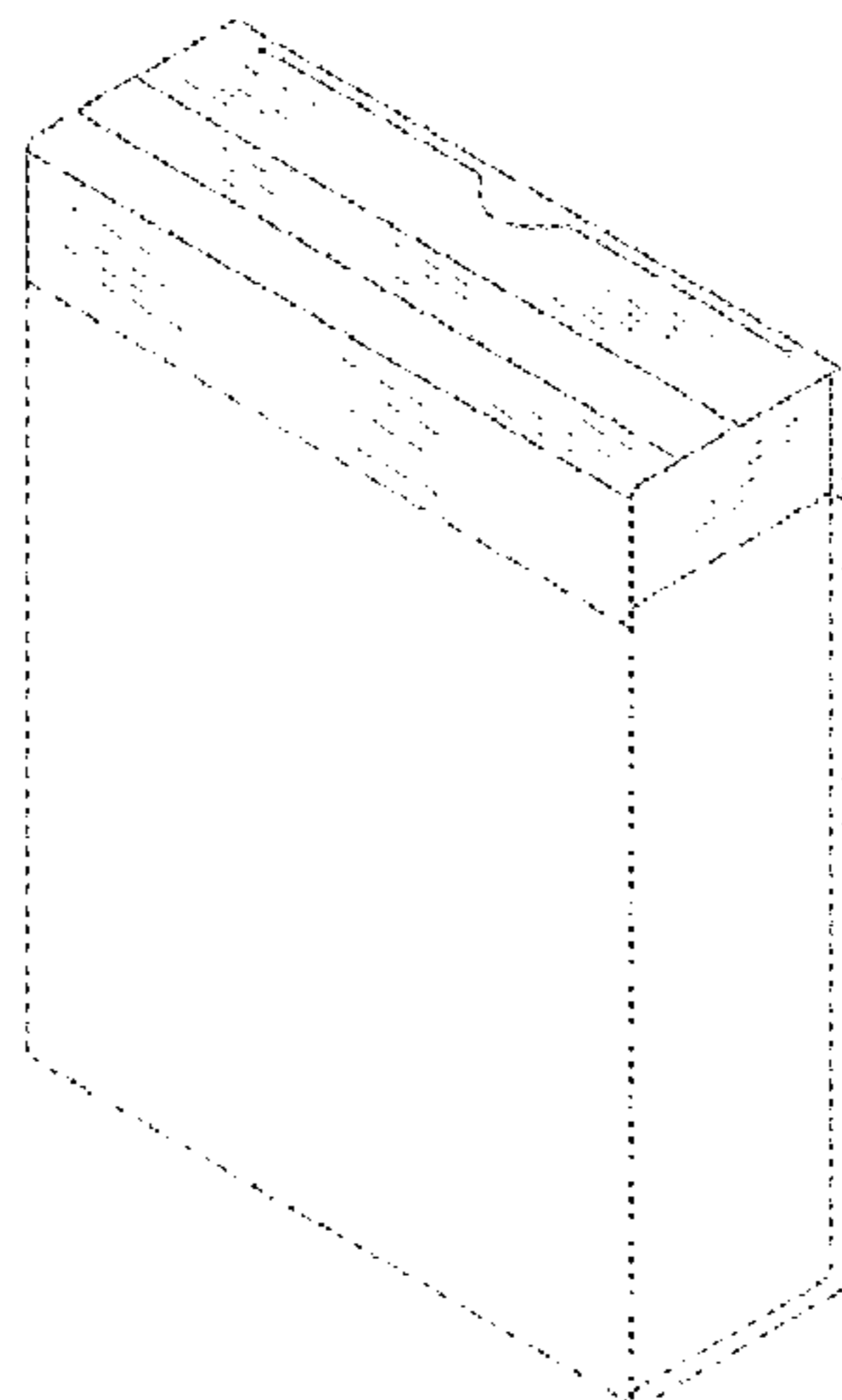
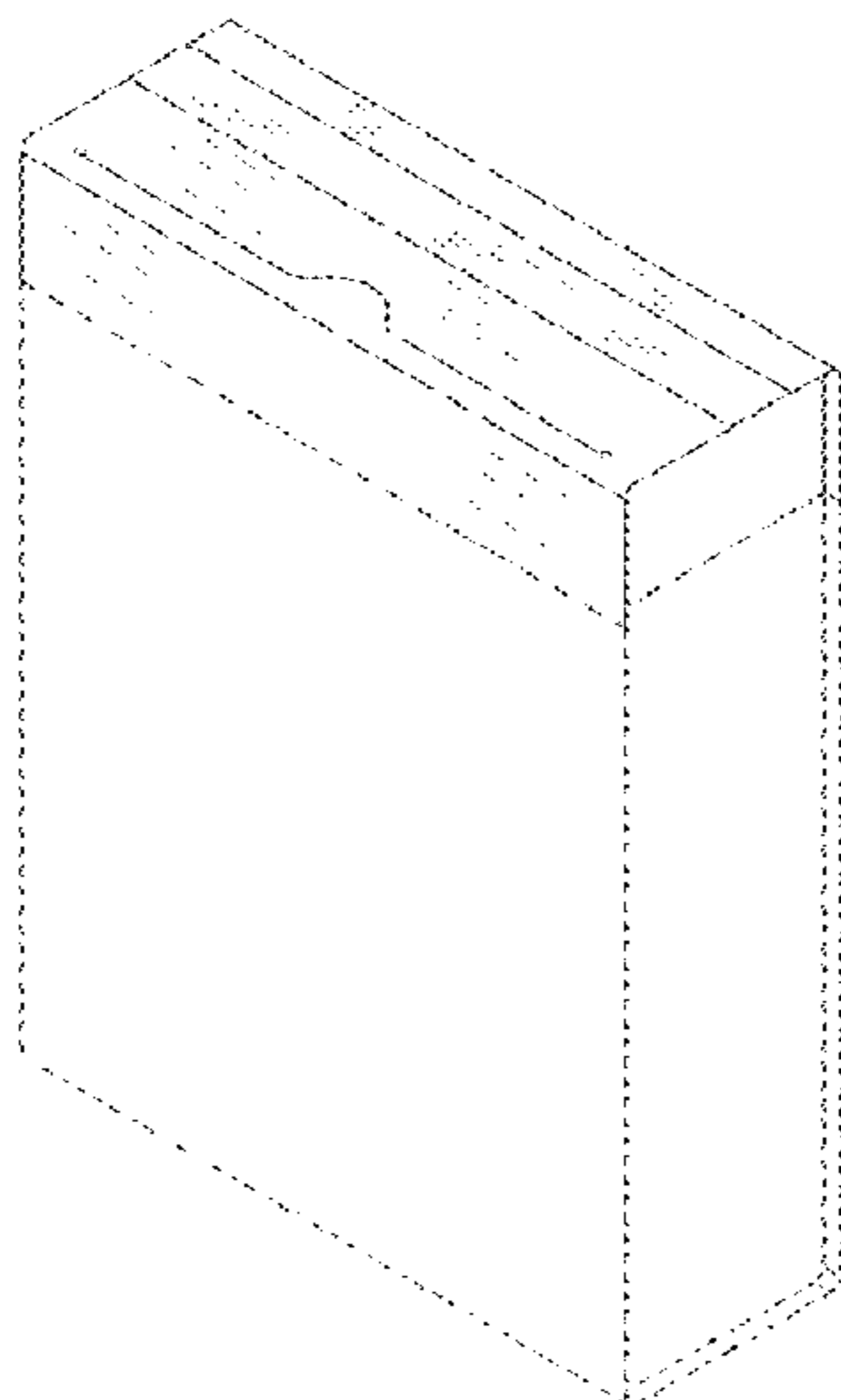
FIG. 7 is a bottom plan view of the package.

FIG. 8 is a back, left-side, and top isometric view of the package; and,

FIG. 9 is a back, right-side, and bottom isometric view of the package.

The broken lines represent elements of the package that form no part of the claimed design. The dash-dot lines represents a boundary of the claimed design. The shading lines are intended to show the claimed flat surfaces, and do not represent surface ornamentation.

1 Claim, 9 Drawing Sheets



(56)

References Cited

U.S. PATENT DOCUMENTS

D778,721 S * 2/2017 Sanfilippo D9/416
D787,319 S * 5/2017 Sanfilippo D9/423

OTHER PUBLICATIONS

Art Can't Hurt. Box Tops. May 2009 [earliest online date], [site visited Aug. 9, 2017]. Available from Internet, <URL:<http://artcanhurt.typepad.com/blog/2009/05/box-tops.html>>.*

Design U.S. Appl. No. 29/509,410, Package, filed Nov. 17, 2014.

Design U.S. Appl. No. 29/440,136, Package, filed Dec. 19, 2012.

* cited by examiner

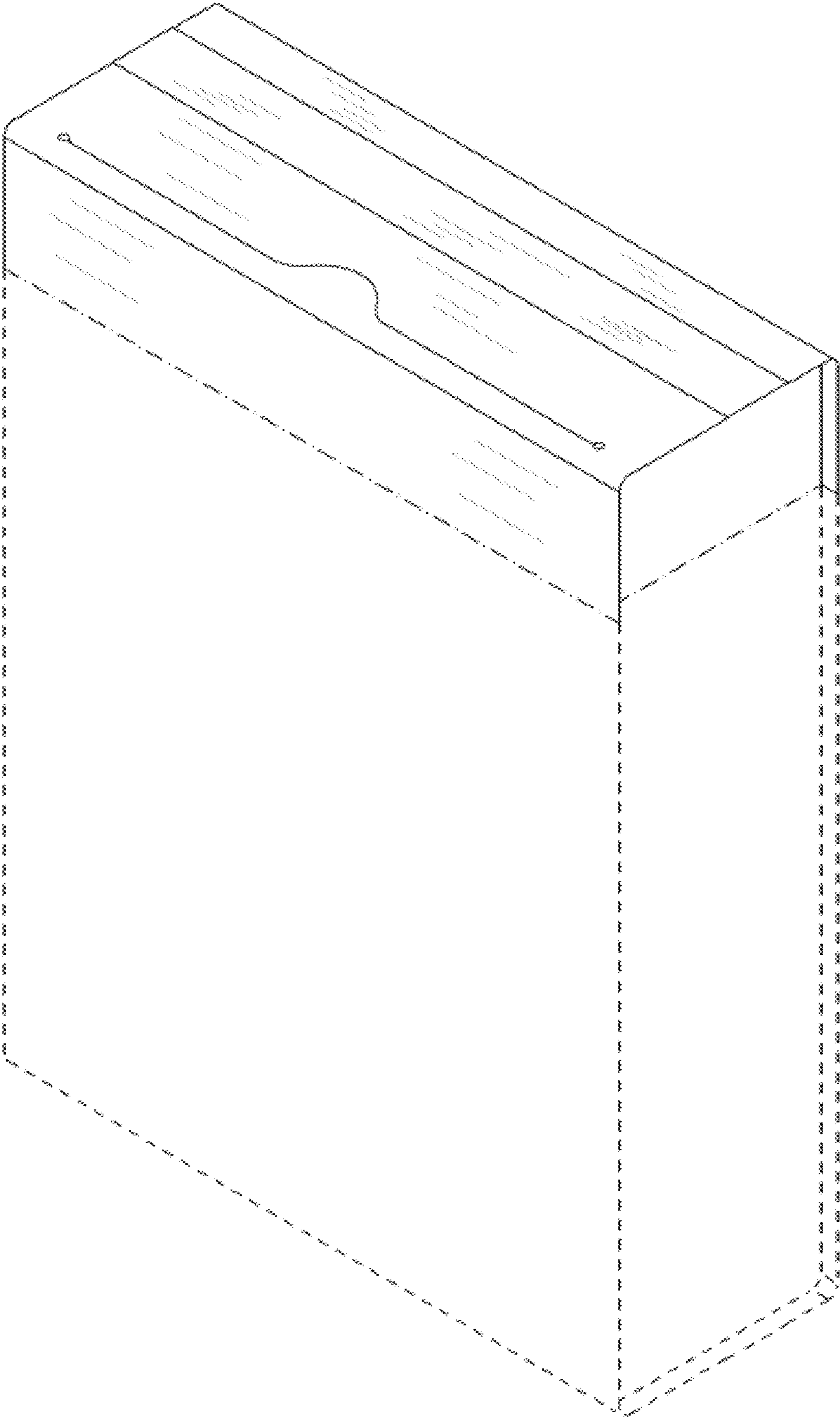


Fig. 1



Fig. 2

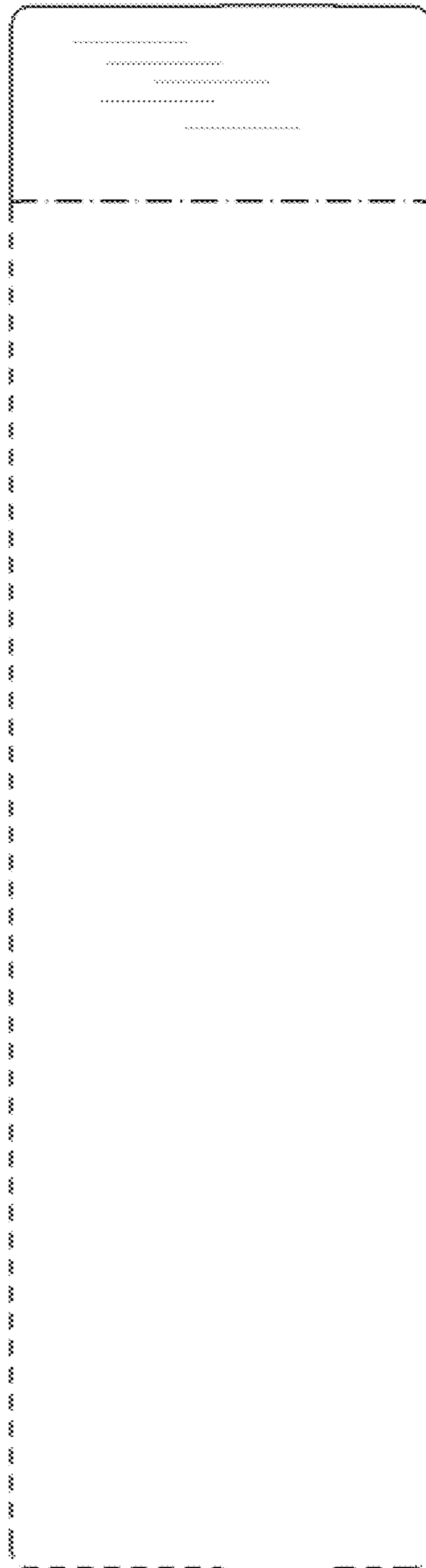


Fig. 3

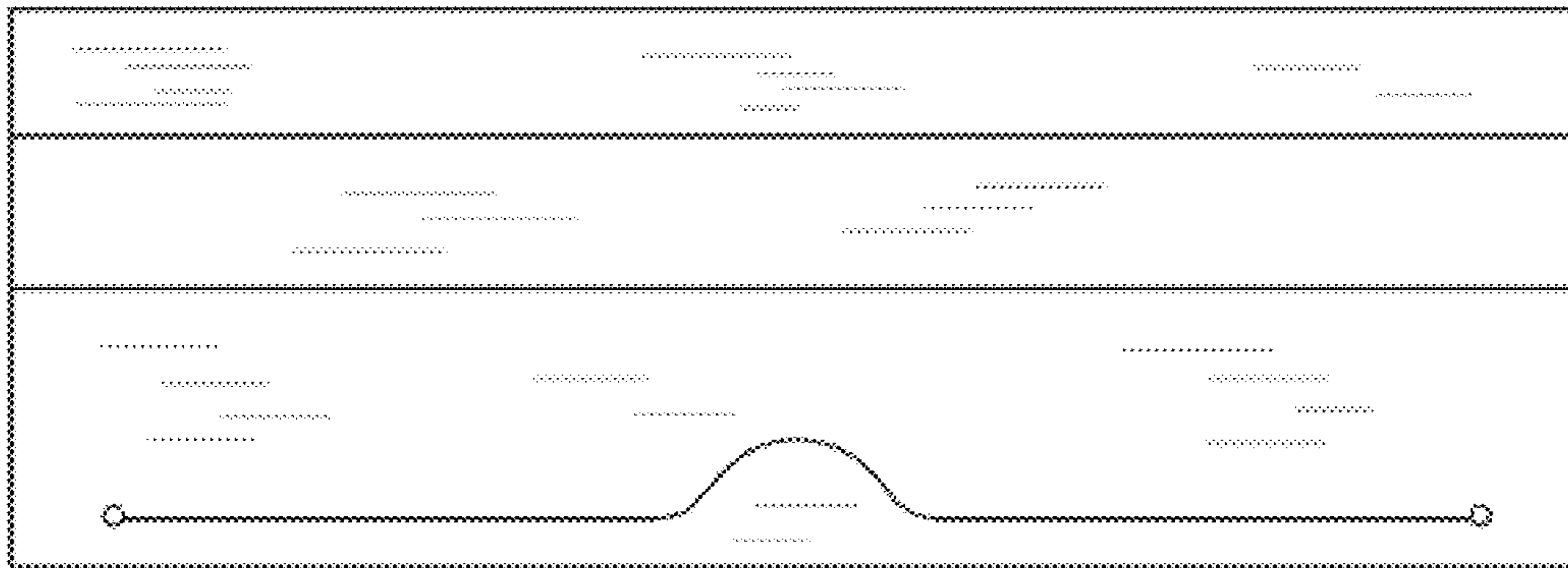


Fig. 4



Fig. 5

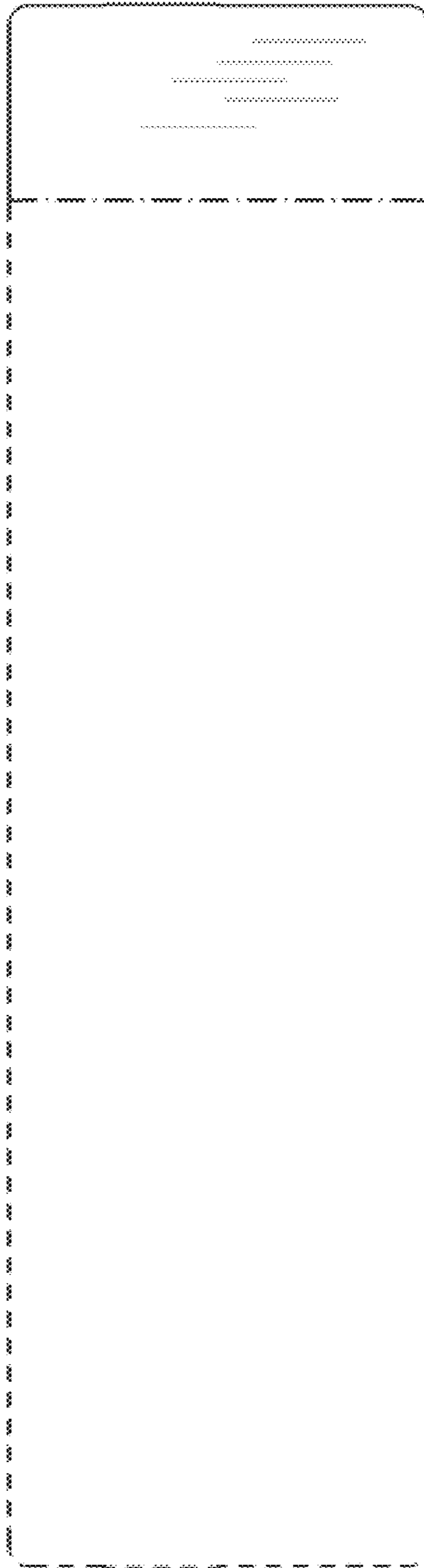


Fig. 6



Fig. 7

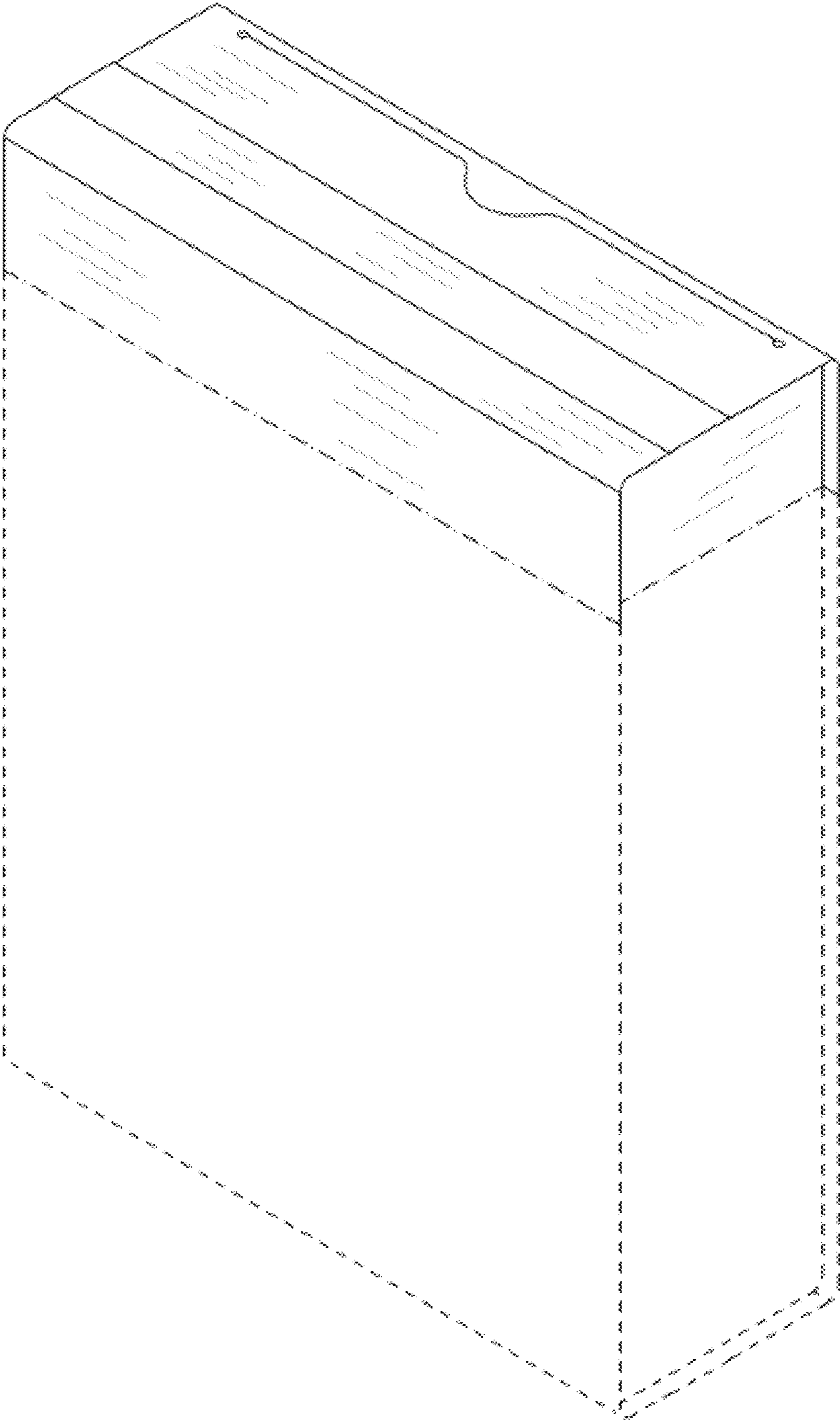


Fig. 8

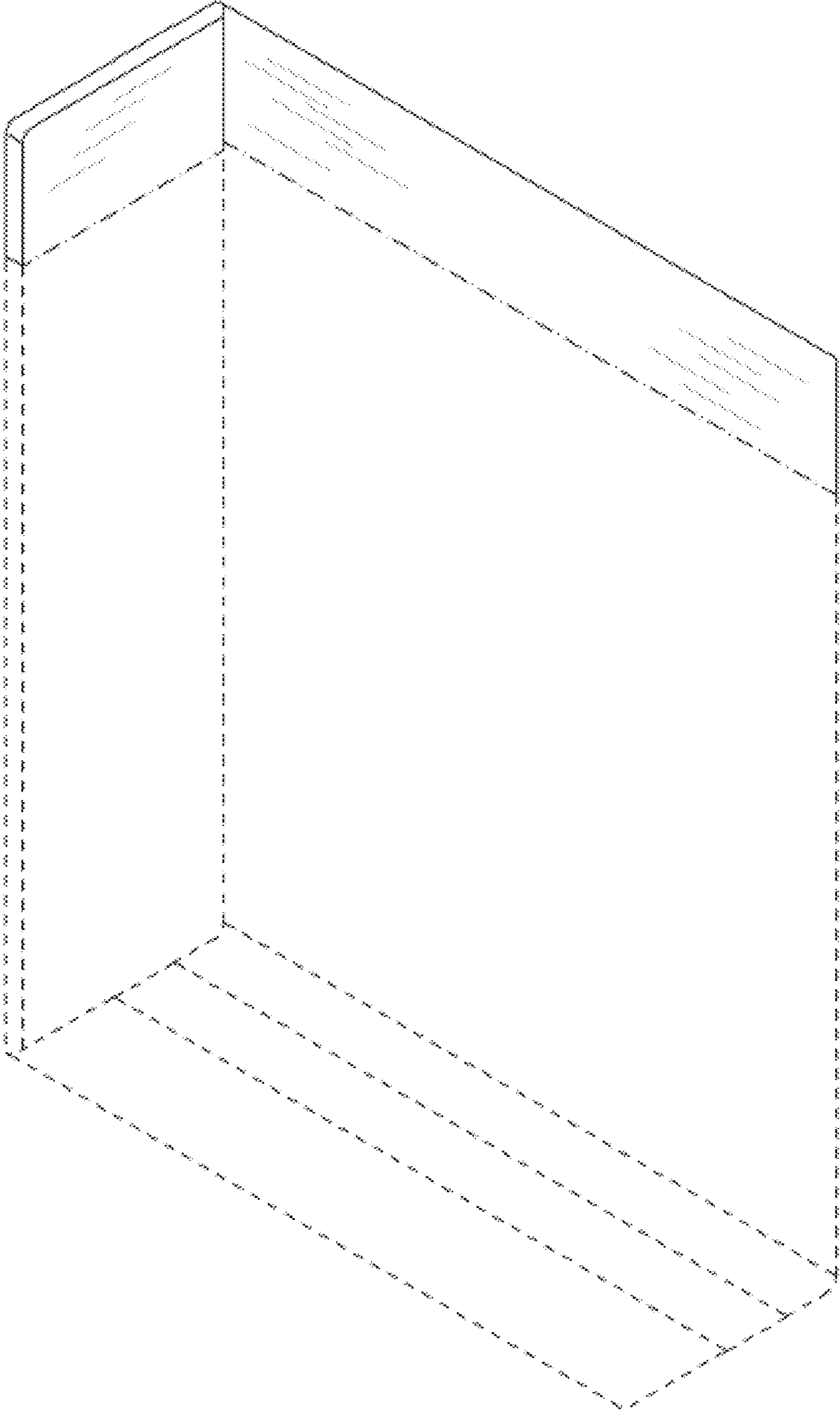


Fig. 9