



US00D823106S

(12) **United States Design Patent** (10) **Patent No.:** **US D823,106 S**
Lam (45) **Date of Patent:** **** Jul. 17, 2018**

(54) **PRODUCE CONTAINER**

(56) **References Cited**

(71) Applicant: **Multisteps Pty Ltd**, Homebush West NSW (AU)

U.S. PATENT DOCUMENTS

(72) Inventor: **John Lam**, Cherrybrook (AU)

3,942,707 A *	3/1976	Schidlowski et al.	229/406
D263,023 S *	2/1982	Commisso	D9/761
D278,539 S *	4/1985	Josephson et al.	D18/43
D361,035 S *	8/1995	Krupa	D9/424
D363,879 S *	11/1995	Krupa et al.	D9/423
D380,381 S *	7/1997	Krupa et al.	D9/425
D385,784 S *	11/1997	Krupa et al.	D9/425
D504,325 S *	4/2005	Vovan	D9/761
D517,427 S *	3/2006	Ramirez et al.	D9/737
D528,014 S *	9/2006	Cutts et al.	D9/761
D553,010 S *	10/2007	Cutts et al.	D9/761
D560,492 S *	1/2008	Markowicz et al.	D9/721

(73) Assignee: **Multisteps Pty Ltd**, Homebush West NSW (AU)

(**) Term: **14 Years**

(Continued)

(21) Appl. No.: **29/500,424**

(22) Filed: **Aug. 25, 2014**

Primary Examiner — Karen S Acker

(30) **Foreign Application Priority Data**

Assistant Examiner — Wendy L Arminio

Jul. 18, 2014 (AU) 201413550

(74) *Attorney, Agent, or Firm* — Alston & Bird LLP

(51) **LOC (11) Cl.** **09-03**

(57) **CLAIM**

(52) **U.S. Cl.**

I claim the ornamental design for a produce container, as shown and described.

USPC **D9/426**

(58) **Field of Classification Search**

DESCRIPTION

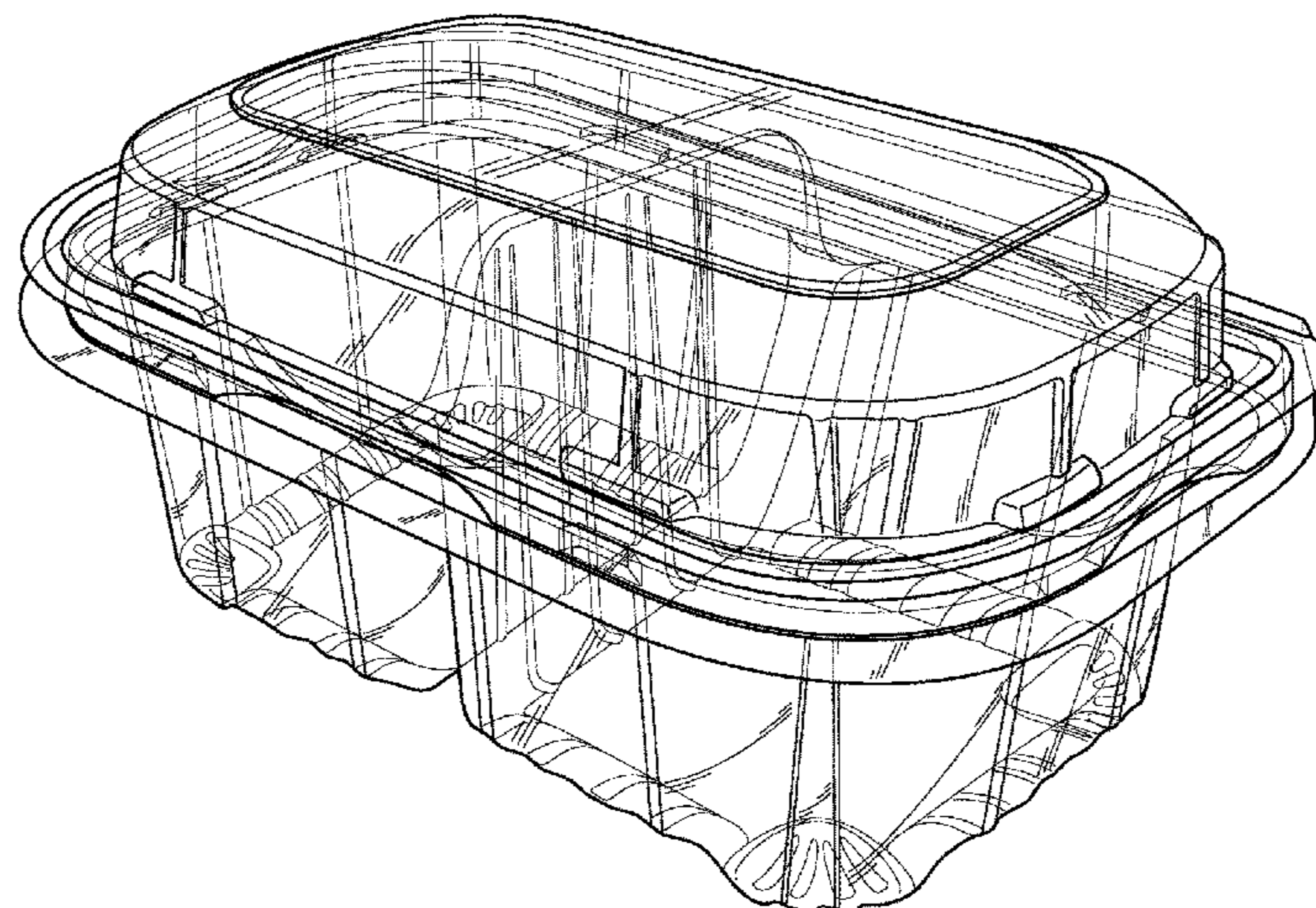
USPC D9/414, 415, 416, 419, 420, 421, 422, D9/423, 424, 425, 426, 427, 428, 429, D9/432, 454, 457, 652, 667, 721, 904; D7/619.1; 229/400, 401, 403, 404, 405, 229/406, 407, 779; 220/592.16, 656-659, 220/662, 665, 669-675, 4.21-4.27; 206/214, 217, 431, 503, 514, 521.1, 528, 206/530, 557, 564, 775, 776, 779

CPC .. A47J 36/06; A47J 47/14; B65D 1/22; B65D 1/34; B65D 1/40; B65D 1/165; B65D 15/02; B65D 21/083; B65D 21/0233; B65D 21/0234; B65D 43/162; B65D 71/50; B65D 77/24; B65D 77/245; B65D 81/3869; B65D 2543/00046; B65D 2543/00083; B65D 2543/00092; B65D 2543/00296; B65D 3/06; B65D 3/28; B65D 5/4204; B65D 7/46; B65D 85/34; B21D 51/18; B21D 51/2646

See application file for complete search history.

FIG. 1 is a top perspective view of a produce container of the present design, shown in a partially open position;
 FIG. 2 is a bottom perspective view of the produce container of FIG. 1, shown in a closed position;
 FIG. 3 is a rear view thereof;
 FIG. 4 is a front view thereof;
 FIG. 5 is a top view thereof;
 FIG. 6 is a bottom view thereof;
 FIG. 7 is a left side view thereof;
 FIG. 8 is a right side view thereof;
 FIG. 9 is a top perspective view of the produce container of FIG. 1, with the container shown in an open configuration; and,
 FIG. 10 is a bottom perspective view thereof.

1 Claim, 7 Drawing Sheets



(56)

References Cited

U.S. PATENT DOCUMENTS

D604,604	S	*	11/2009	Strange	D9/425
D640,129	S	*	6/2011	Sifuentes et al.	D9/425
D643,311	S	*	8/2011	Meyers	D9/761
D645,708	S	*	9/2011	Stamper et al.	D7/602
D665,676	S	*	8/2012	Wu	D9/761
D668,537	S	*	10/2012	Sanfilippo	D9/425
D668,950	S	*	10/2012	Sanfilippo	D9/425
D688,921	S	*	9/2013	Miros et al.	D7/629
D696,910	S	*	1/2014	Franczyk et al.	D7/629
2003/0052133	A1	*	3/2003	Hayes et al.	220/835
2011/0139785	A1	*	6/2011	Strange et al.	220/283

* cited by examiner

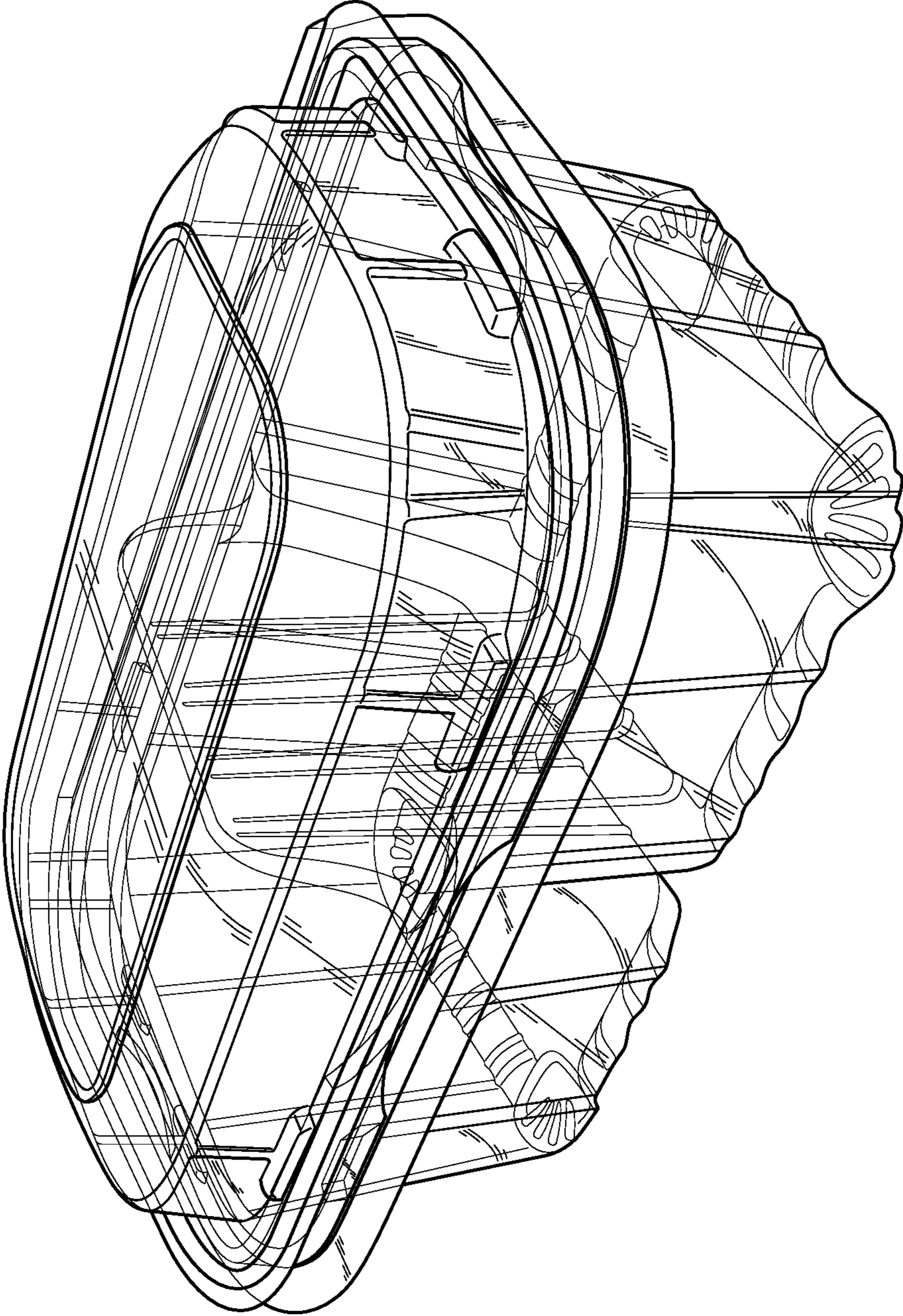


FIG. 1

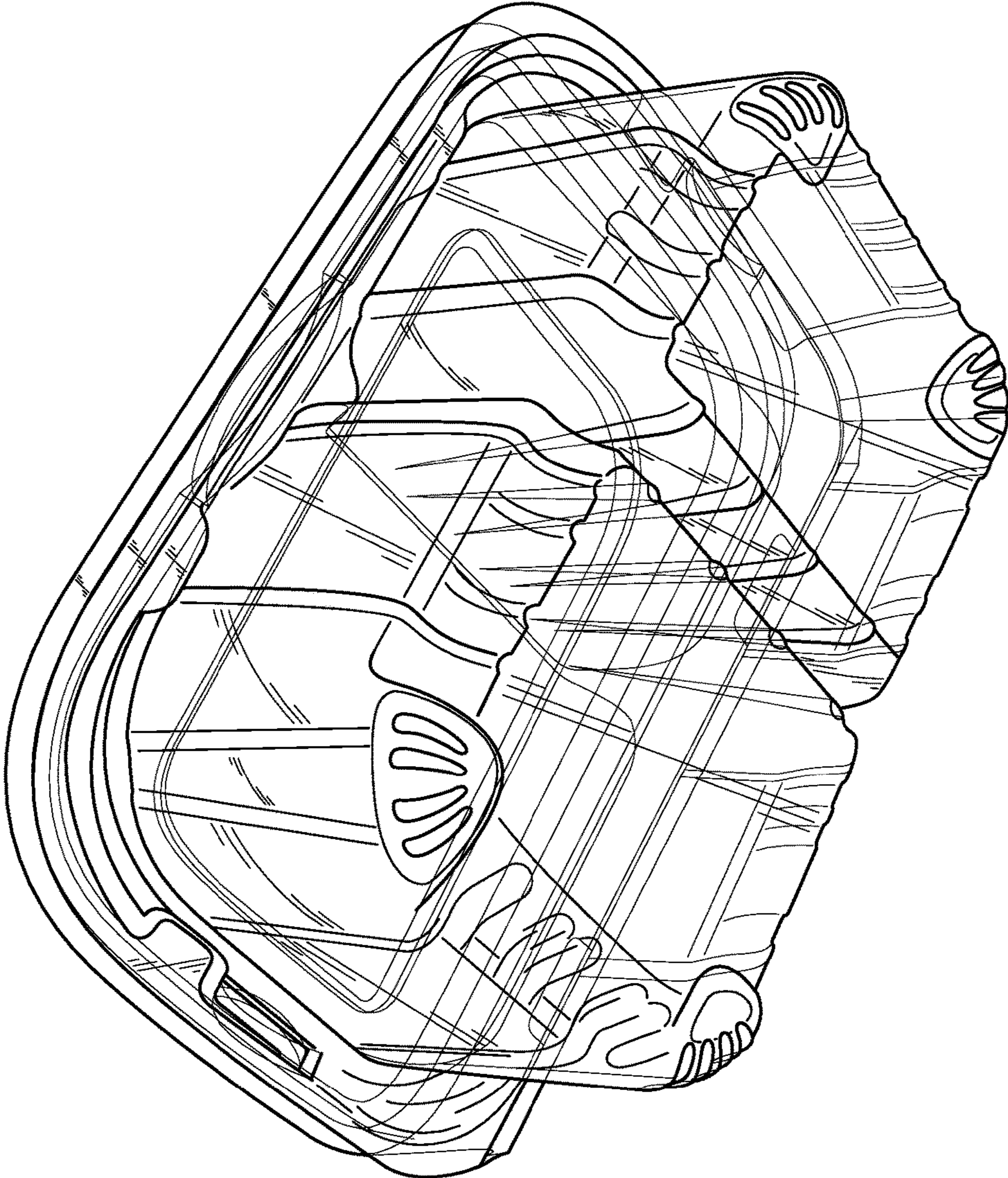


FIG. 2

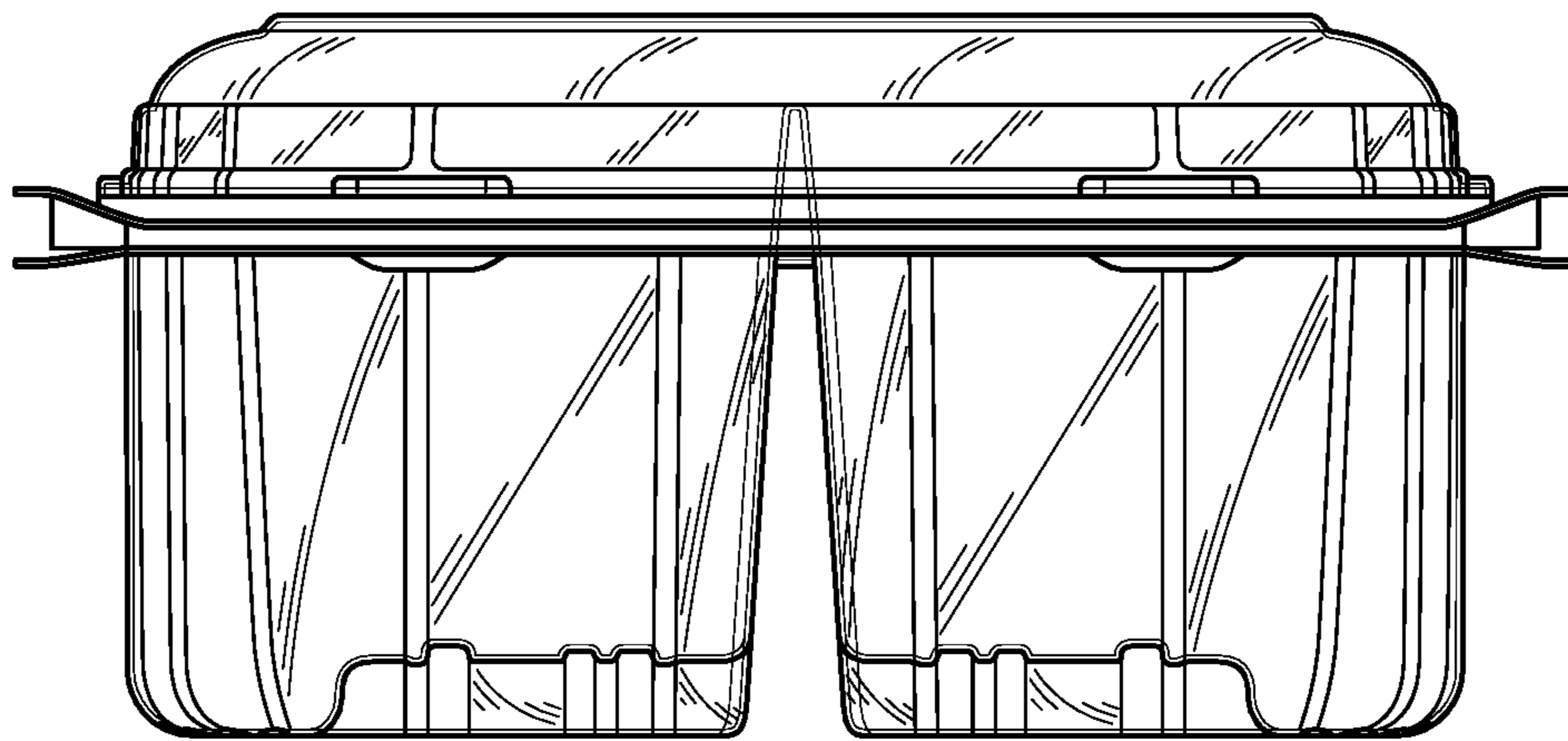


FIG. 3

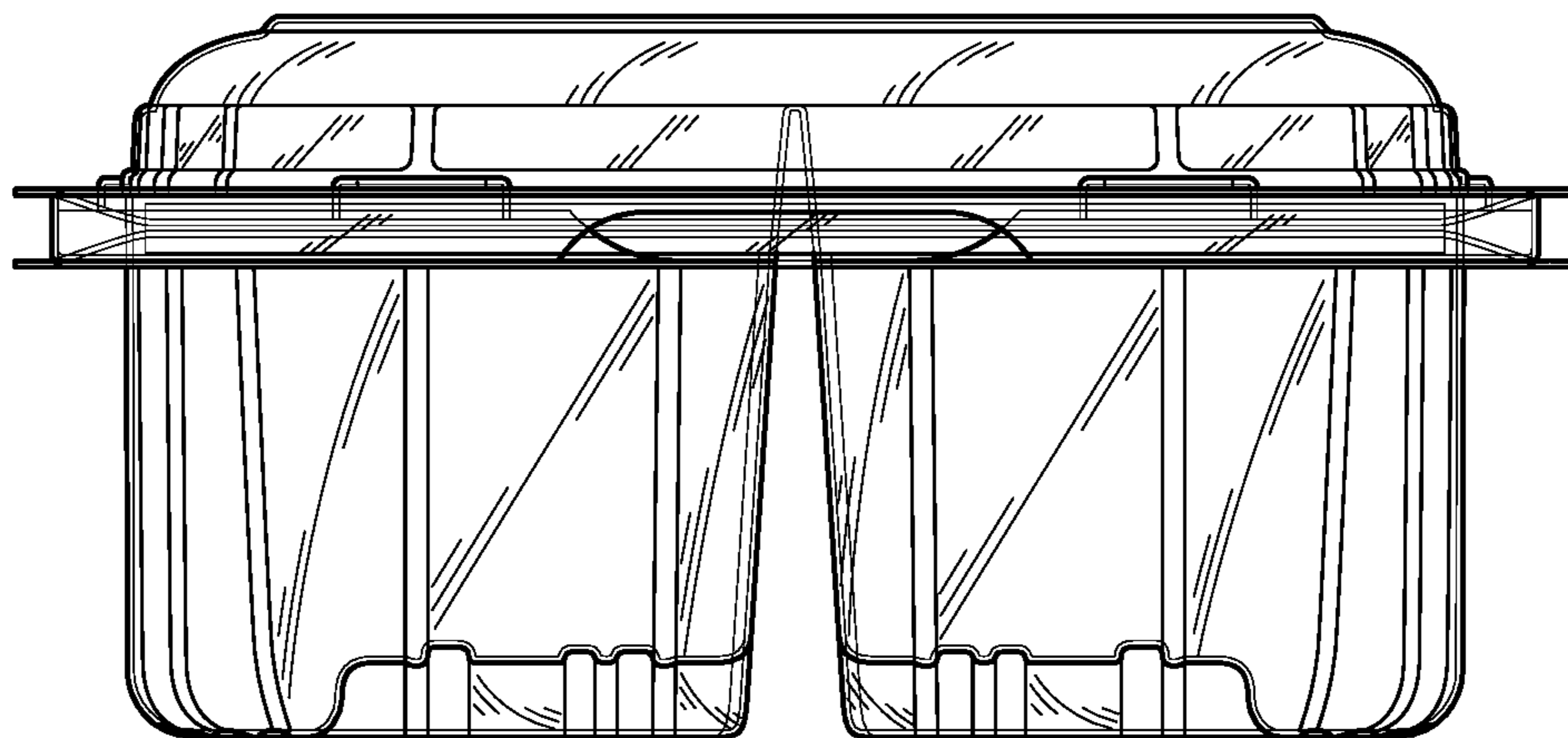


FIG. 4

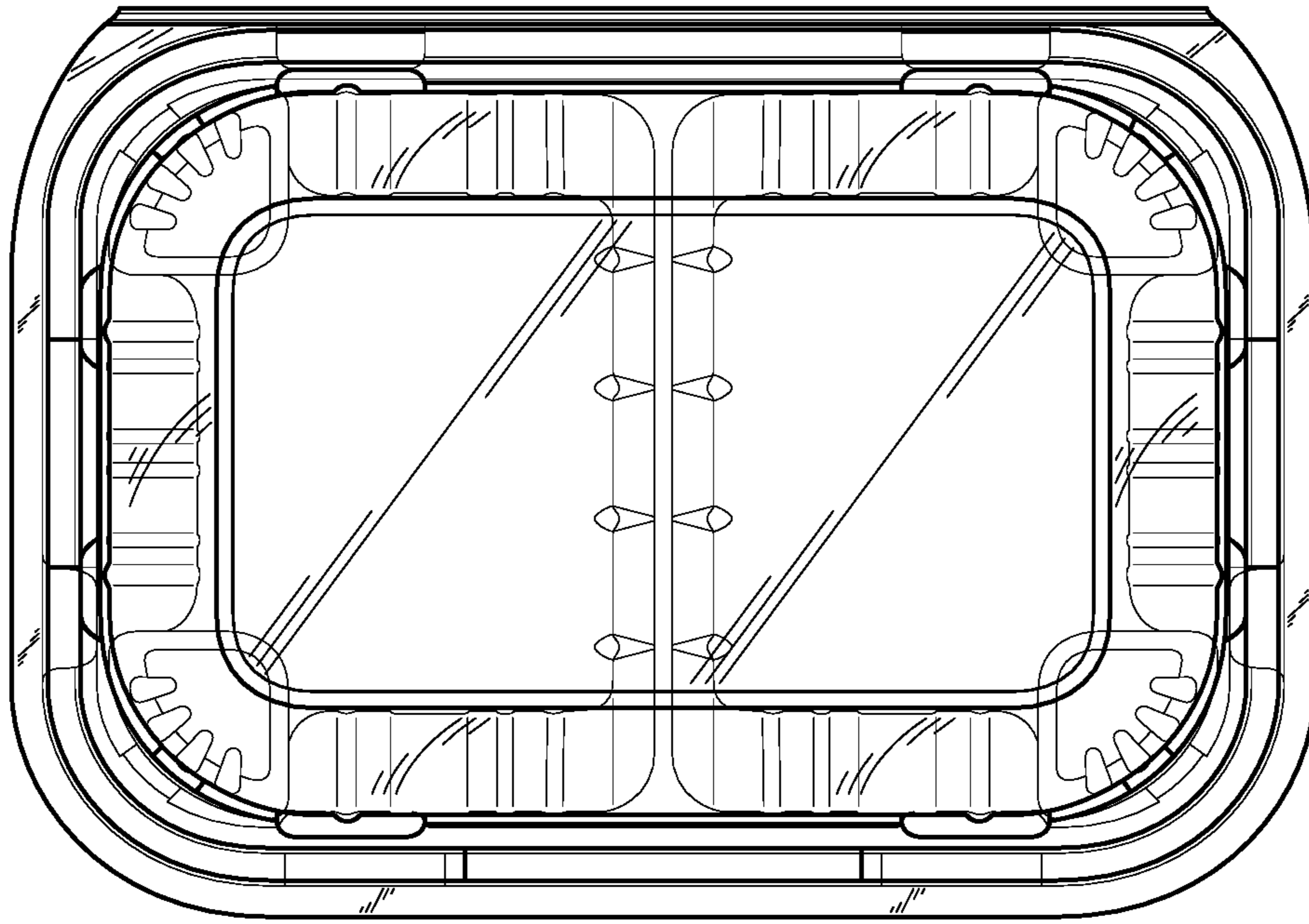


FIG. 5

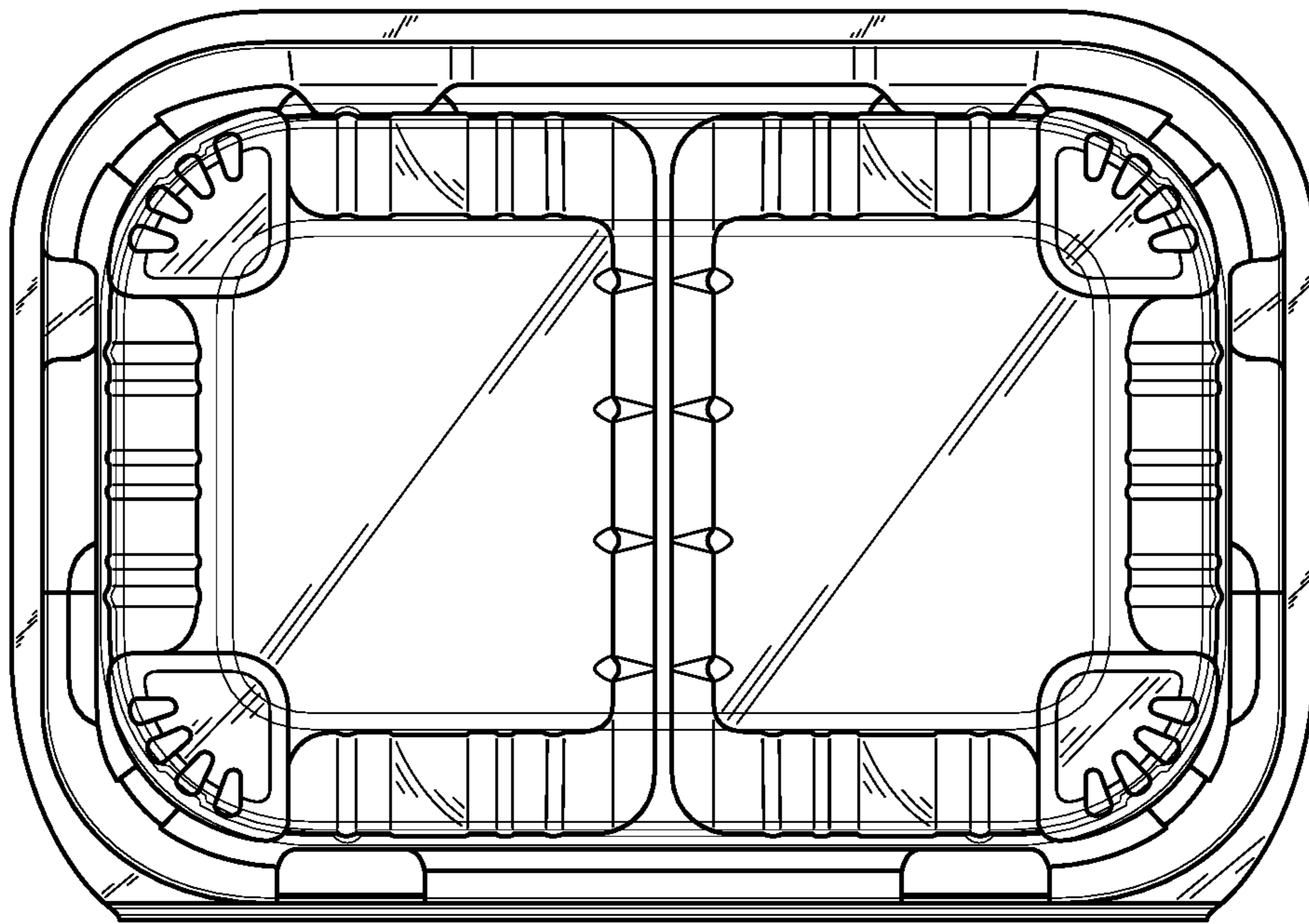


FIG. 6

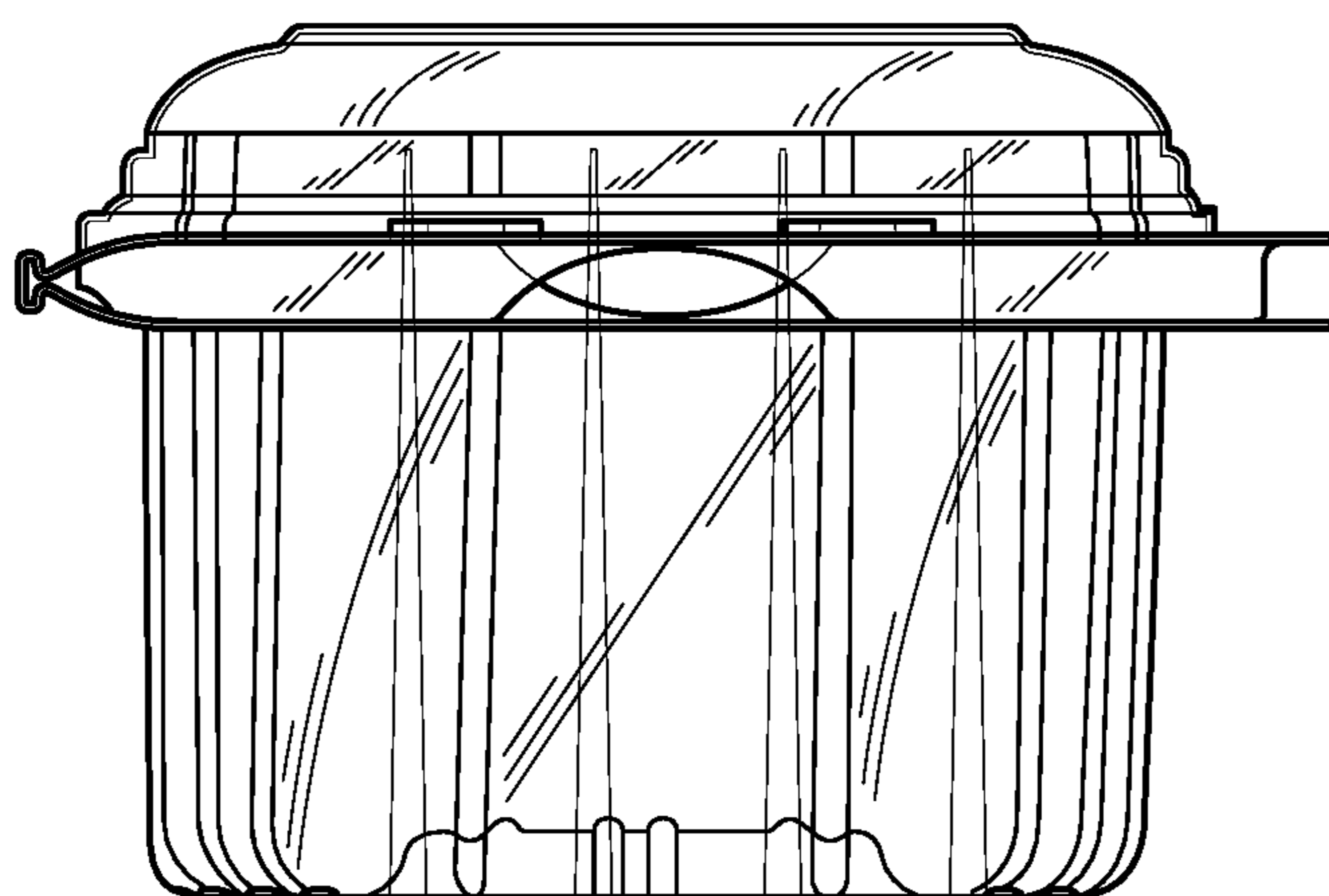


FIG. 7

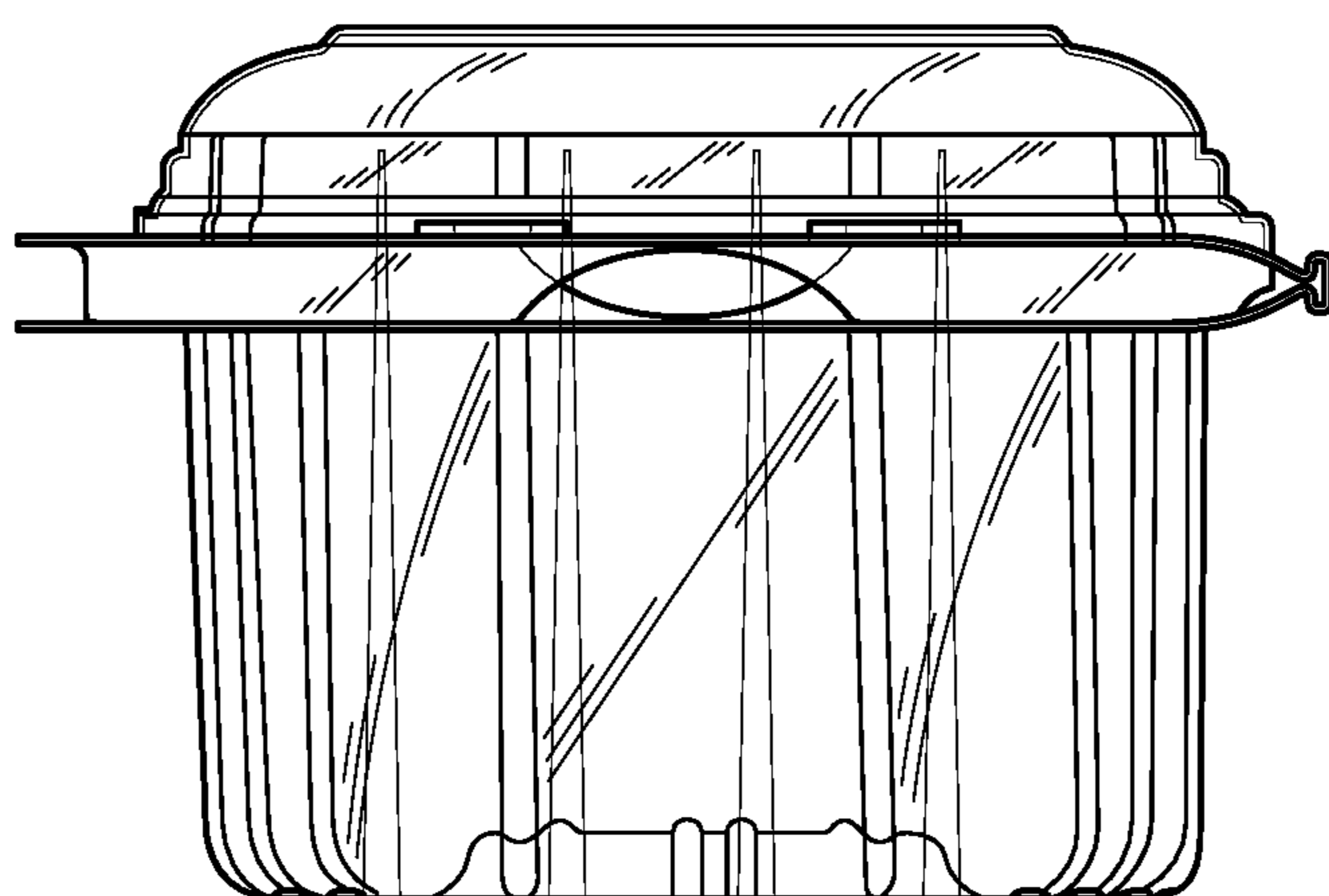


FIG. 8

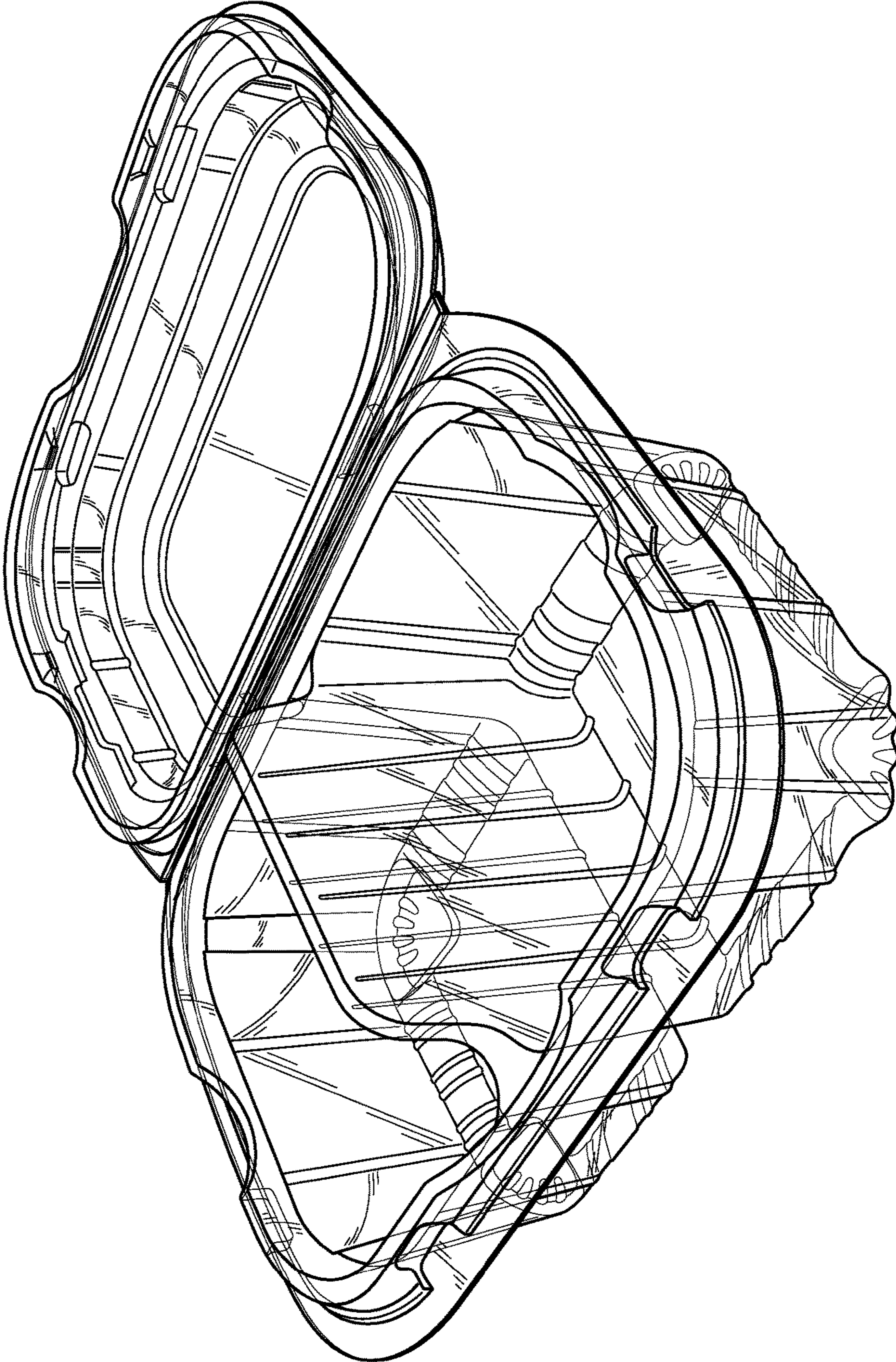


FIG. 9

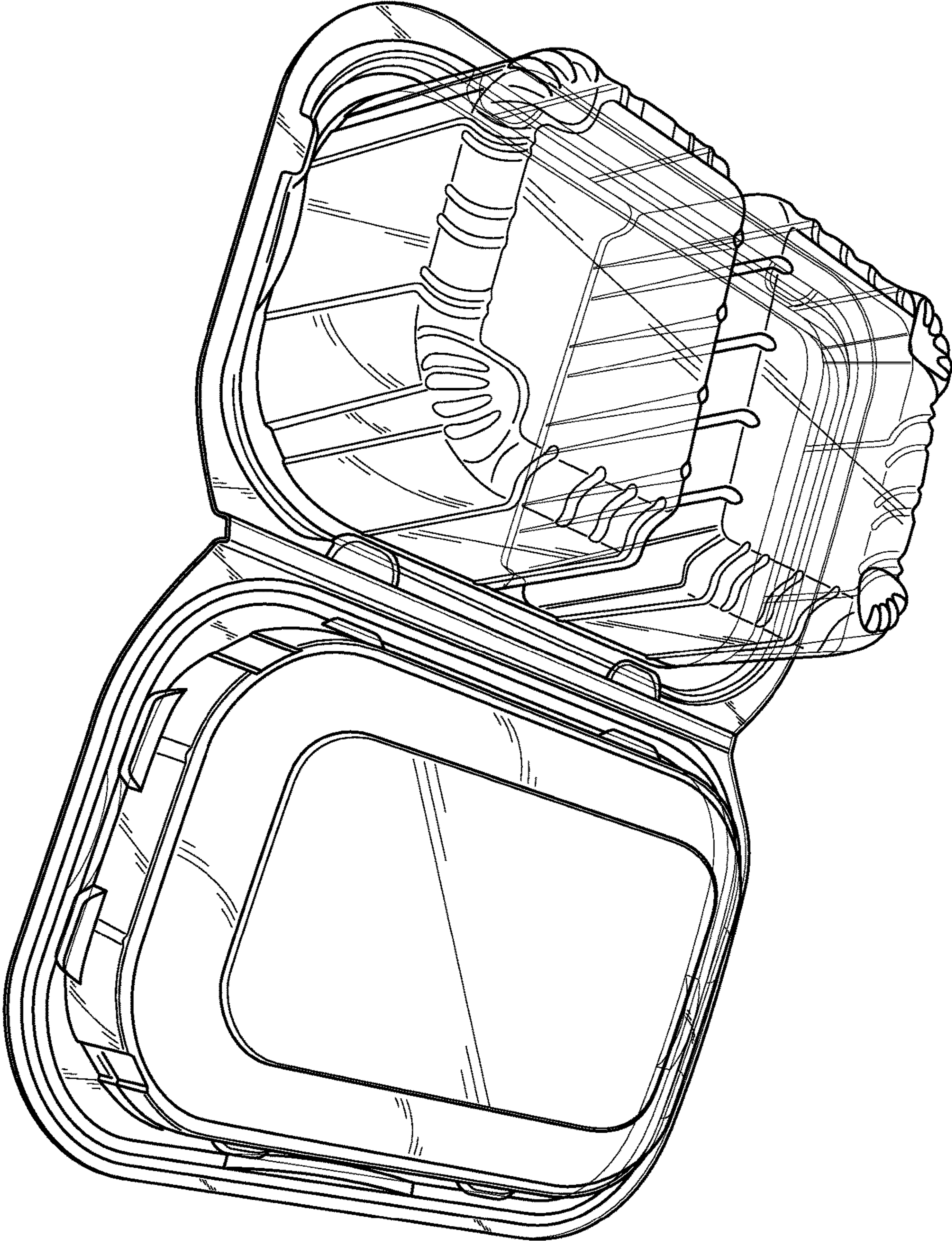


FIG. 10

UNITED STATES PATENT AND TRADEMARK OFFICE
CERTIFICATE OF CORRECTION

PATENT NO. : D823,106 S
APPLICATION NO. : 29/500424
DATED : July 17, 2018
INVENTOR(S) : Lam

Page 1 of 1

It is certified that error appears in the above-identified patent and that said Letters Patent is hereby corrected as shown below:

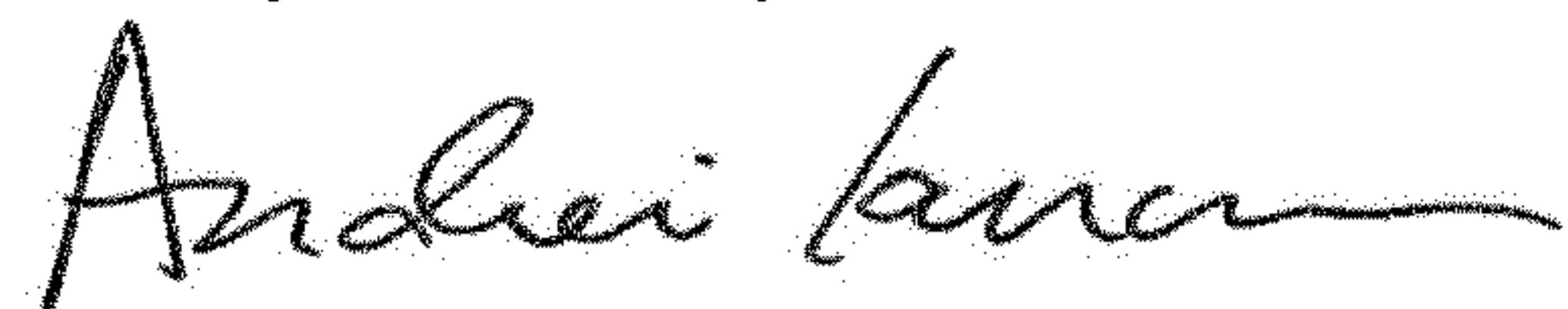
On the Title Page

“(72) Inventor: John Lam, Cherrybrook (AU)”

Should read:

--(72) Inventor: John Lam, Cherrybrook NSW (AU)--

Signed and Sealed this
Twenty-third Day of October, 2018



Andrei Iancu
Director of the United States Patent and Trademark Office