



US00D823105S

(12) **United States Design Patent** (10) **Patent No.:** **US D823,105 S**
Wardius, Jr. (45) **Date of Patent:** **** Jul. 17, 2018**

(54) **CONTAINER FOR PROPHY PASTE**
(71) Applicant: **E. Robert Wardius, Jr.**, Reading, PA (US)
(72) Inventor: **E. Robert Wardius, Jr.**, Reading, PA (US)
(73) Assignee: **E. Robert Wardius, Jr.**, Reading, PA (US)
(**) Term: **15 Years**

D450,240 S * 11/2001 Haag D9/416
D469,320 S * 1/2003 Pettaweebuncha D7/629
7,114,950 B2 10/2006 Dellanina
D581,204 S * 11/2008 Simon D7/354
7,726,481 B2 * 6/2010 Grosskopf B65D 73/0092
206/462
D642,904 S * 8/2011 Turvey D9/424
D656,452 S * 3/2012 Calvert D12/223
D700,483 S * 3/2014 Yessin D7/629
D706,621 S * 6/2014 Tuchrelo D9/425
2008/0135556 A1 * 6/2008 Bontrager B65D 1/34
220/260
2012/0152954 A1 * 6/2012 Bruehl B65D 77/2052
220/265

(21) Appl. No.: **29/561,592**
(22) Filed: **Apr. 18, 2016**
(51) **LOC (11) Cl.** **09-03**
(52) **U.S. Cl.**
USPC **D9/425**
(58) **Field of Classification Search**
USPC D7/396.1, 538-545, 602, 608, 629;
D9/414, 420, 424-429, 432, 761;
D24/176, 227; 206/499, 508, 557;
220/23.4, 23.6, 315, 500, 659, 669, 674,
220/675, 696, 752, 760, 790, 793;
229/105, 117.09, 117.26, 189, 406, 407,
229/902, 905
CPC ... B65D 1/26; B65D 1/34; B65D 1/36; B65D
1/40; B65D 1/0223; B65D 25/04; B65D
43/0212
See application file for complete search history.

* cited by examiner

Primary Examiner — Derrick E Holland
Assistant Examiner — Janice Julia Patyk
(74) *Attorney, Agent, or Firm* — Miller Law Group, PLLC

(56) **References Cited**
U.S. PATENT DOCUMENTS
4,697,703 A * 10/1987 Will A61F 2/0095
206/363
D432,866 S * 10/2000 Harrison D7/545

(57) **CLAIM**

The ornamental design for a container for prophy paste, as shown and described.

DESCRIPTION

FIG. 1 is a top plan view of a container for prophy paste showing my new design;
FIG. 2 is a front elevational view thereof;
FIG. 3 is a side elevational view thereof; and,
FIG. 4 is a perspective view thereof.
The broken lines in the figures illustrate the portions of the design that form no part of the claimed design.

1 Claim, 1 Drawing Sheet

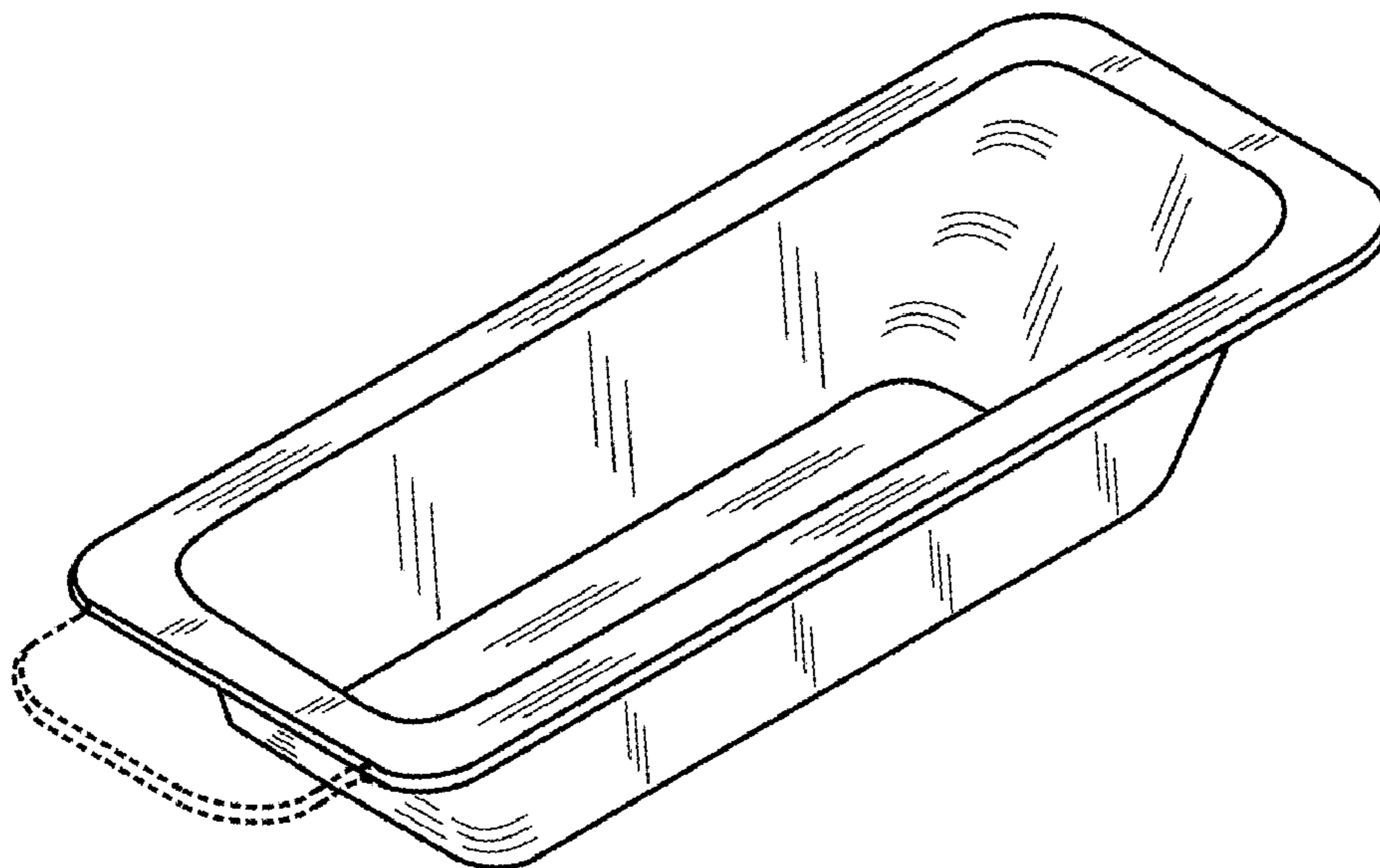


Fig. 4

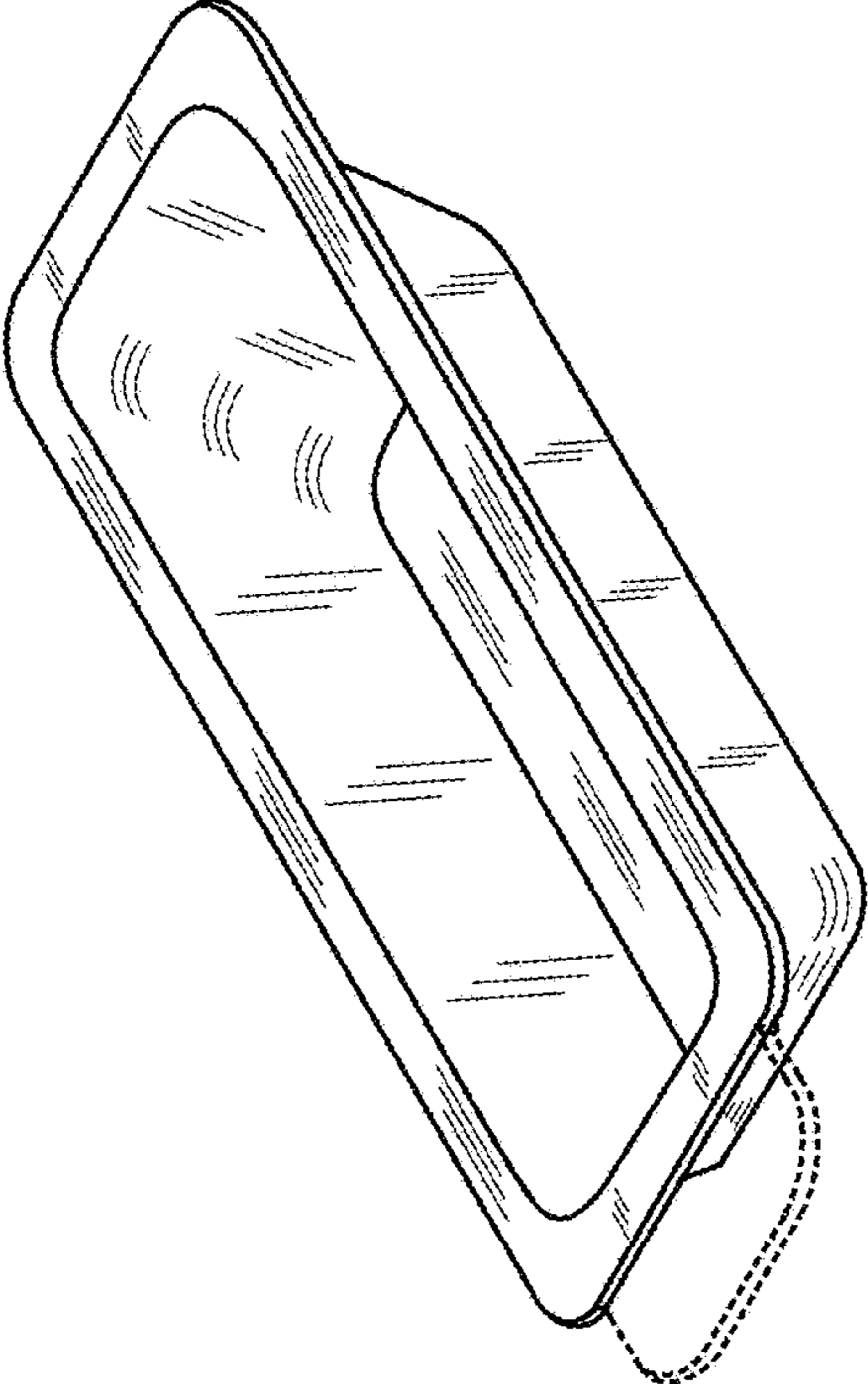


Fig. 1

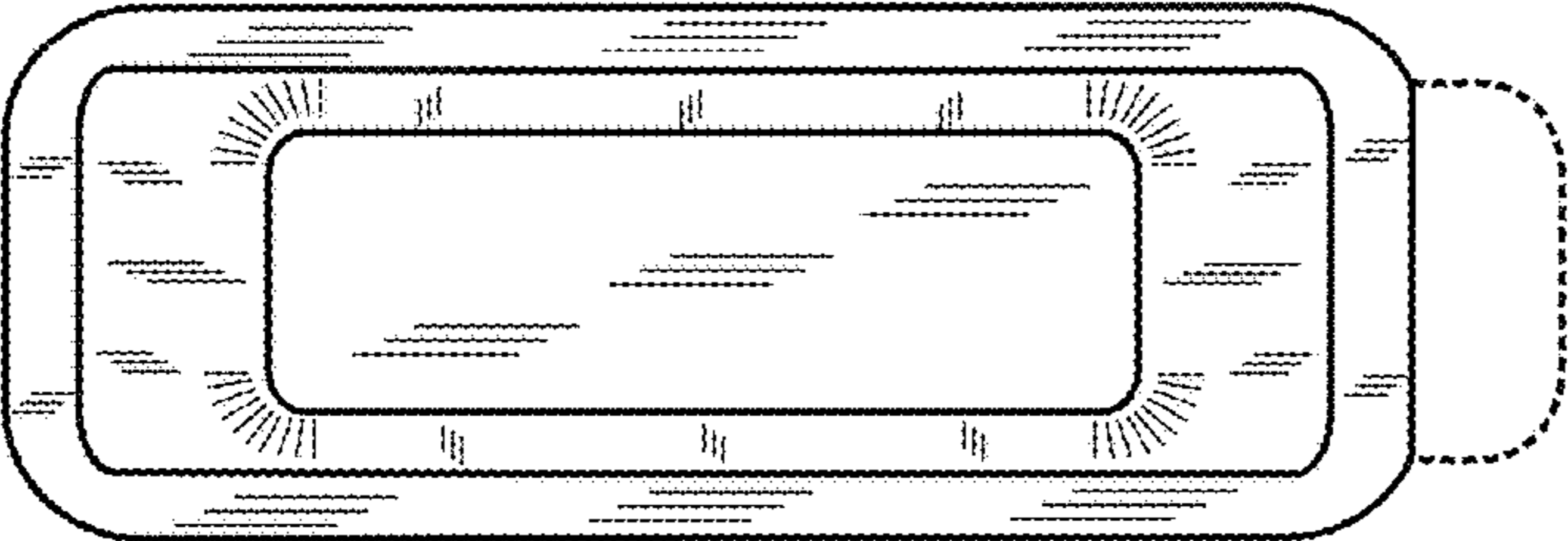


Fig. 2

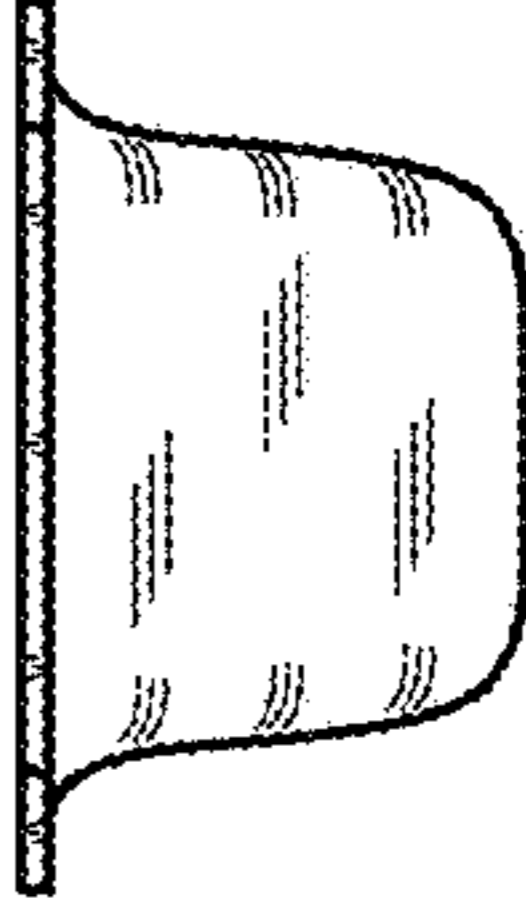


Fig. 3

