



US00D823104S

(12) **United States Design Patent**
Shirley

(10) **Patent No.:** **US D823,104 S**
(45) **Date of Patent:** **** Jul. 17, 2018**

(54) **STORAGE CONTAINER**

(71) Applicant: **Dart Industries Inc.**, Orlando, FL (US)

(72) Inventor: **Nathan E. Shirley**, Vancouver, WA (US)

(73) Assignee: **Dart Industries Inc.**, Orlando, FL (US)

(**) Term: **15 Years**

(21) Appl. No.: **29/603,953**

(22) Filed: **May 15, 2017**

(51) **LOC (11) Cl.** **09-03**

(52) **U.S. Cl.**
USPC **D9/424**; D9/432

(58) **Field of Classification Search**
USPC D9/414-434, 442-445, 456, 457, 542,
D9/563, 600, 614-624, 648, 655, 657,
(Continued)

(56) **References Cited**

U.S. PATENT DOCUMENTS

1,587,167 A * 6/1926 Marsden A47J 41/0083
206/518
D162,081 S * 2/1951 Precourt D7/629
(Continued)

FOREIGN PATENT DOCUMENTS

CN 124380 * 1/2008
CN 201530102693 * 4/2015
IN 299045 * 11/2017

OTHER PUBLICATIONS

4 oz Square Deep Container Tin with Clear Top Cover. Online,
published date unknown. Retrieved on May 8, 2018 from URL:
https://www.specialtybottle.com/metal-tin-containers/clear-top-window-square/4oz-tcss4?gclid=EAlalQobChMlx8HMn9P22gIV1MDICh2c6AtvEAQYASABEgl1RvD_BwE.*

Primary Examiner — Karen S Acker

Assistant Examiner — Omeed Agilee

(74) *Attorney, Agent, or Firm* — Taylor J. Ross

(57) **CLAIM**

The ornamental design for a storage container, as shown and described.

DESCRIPTION

FIG. 1 is a top, front and left side perspective view of a first embodiment of a storage container showing my new design; FIG. 2 is a bottom, front and right side perspective view thereof;

FIG. 3 is a top plan view thereof;

FIG. 4 is a bottom plan view thereof;

FIG. 5 is a front elevation view thereof, the rear, right and left sides being identical thereto.

FIG. 6 is a top, front and left side perspective view of a second embodiment of a storage container;

FIG. 7 is a bottom, front and right side perspective view thereof;

FIG. 8 is a top plan view thereof;

FIG. 9 is a bottom plan view thereof;

FIG. 10 is a front elevation view thereof, the rear, right and left sides being identical thereto;

FIG. 11 is a top, front and left side perspective view of a third embodiment of a storage container;

FIG. 12 is a bottom, front and right side perspective view thereof;

FIG. 13 is a top plan view thereof;

FIG. 14 is a bottom plan view thereof;

FIG. 15 is a front elevation view thereof, the rear, right and left sides being identical thereto;

FIG. 16 is a top, front and left side perspective view of a fourth embodiment of a storage container;

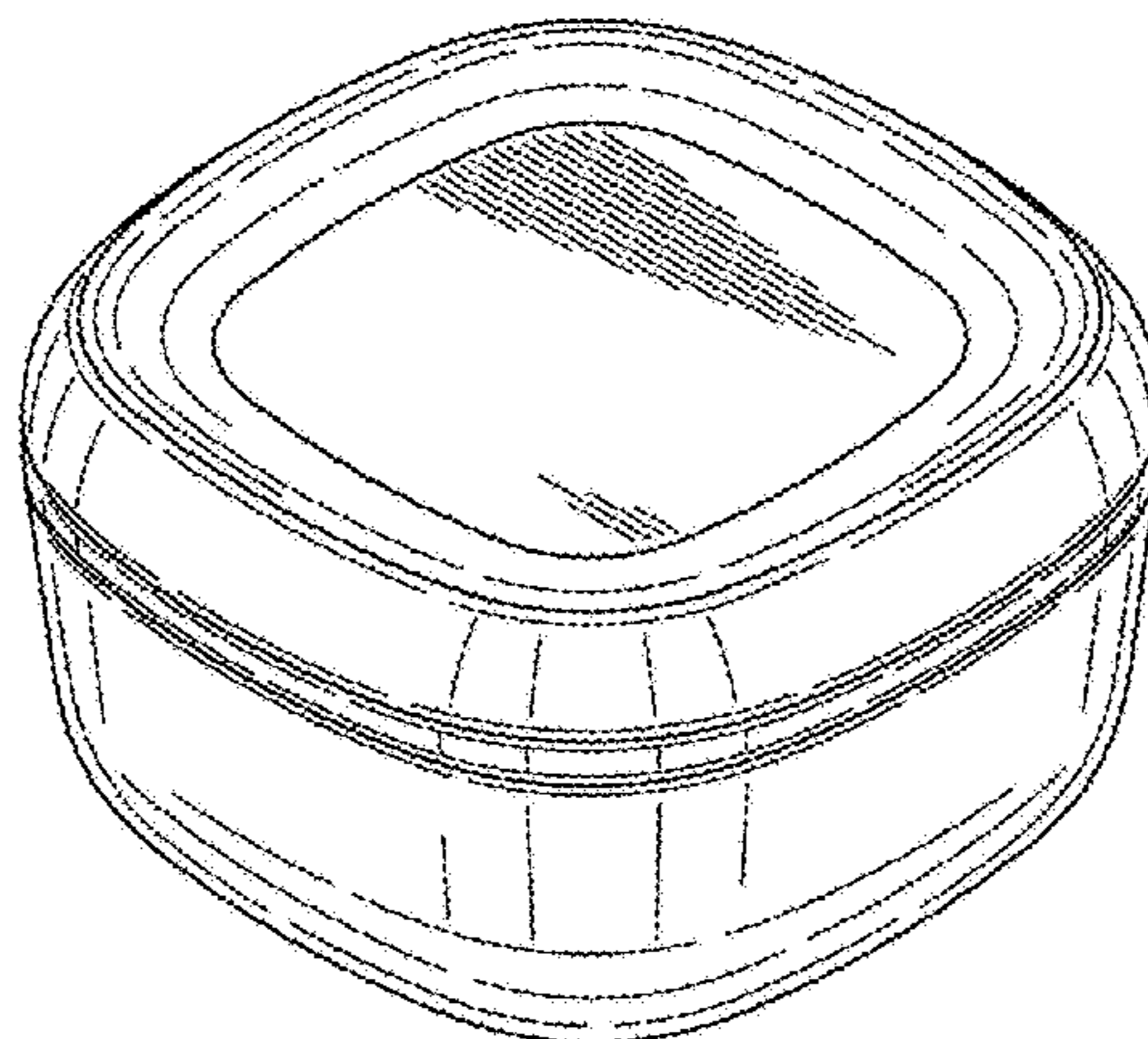
FIG. 17 is a bottom, front and right side perspective view thereof;

FIG. 18 is a top plan view thereof;

FIG. 19 is a bottom plan view thereof; and,

FIG. 20 is a front elevation view thereof, the rear, right and left sides being identical thereto.

1 Claim, 10 Drawing Sheets



(58) **Field of Classification Search**

USPC D9/658, 661, 685, 696, 697–699, 707,
 D9/711, 754, 759, 772–776, 560;
 D7/601, 602, 709, 300, 300.1, 316, 317,
 D7/598, 629; D3/273, 276, 304, 309–313
 CPC B65D 5/00; B65D 5/001; B65D 5/0015;
 B65D 5/0227–5/0254; B65D 5/18; B65D
 5/38; B65D 5/40; B65D 5/2033; B65D
 5/48024; B65D 5/6605; B65D 1/22;
 B65D 1/24; B65D 1/34; B65B 5/06

See application file for complete search history.

(56) **References Cited**

U.S. PATENT DOCUMENTS

D257,764	S	*	1/1981	Tajime	D9/529
4,412,630	A	*	11/1983	Daenen	B65D 43/0218
						220/792
D279,251	S	*	6/1985	Daenen	D7/614
D329,782	S	*	9/1992	Narsutis	D7/629
D521,811	S	*	5/2006	Yourist	D7/615
D567,032	S	*	4/2008	Gilbert	D7/629
D574,710	S	*	8/2008	Gangrade	D9/504
D610,412	S	*	2/2010	Matsumoto	D7/629
D682,046	S	*	5/2013	Myoung	D7/629
D737,635	S	*	9/2015	Bronwasser	D7/629
D743,751	S	*	11/2015	Stokke	D7/629
D750,423	S		3/2016	Shirley et al.		
D751,335	S		3/2016	Shirley et al.		
D759,434	S	*	6/2016	Duvigneau	D7/615
D786,683	S	*	5/2017	Miller	D9/560
D787,895	S	*	5/2017	Kilduff	D7/629
D790,335	S	*	6/2017	Honings	D9/424
D793,860	S	*	8/2017	Keller	D9/431
D803,681	S	*	11/2017	Yang	D9/432

* cited by examiner

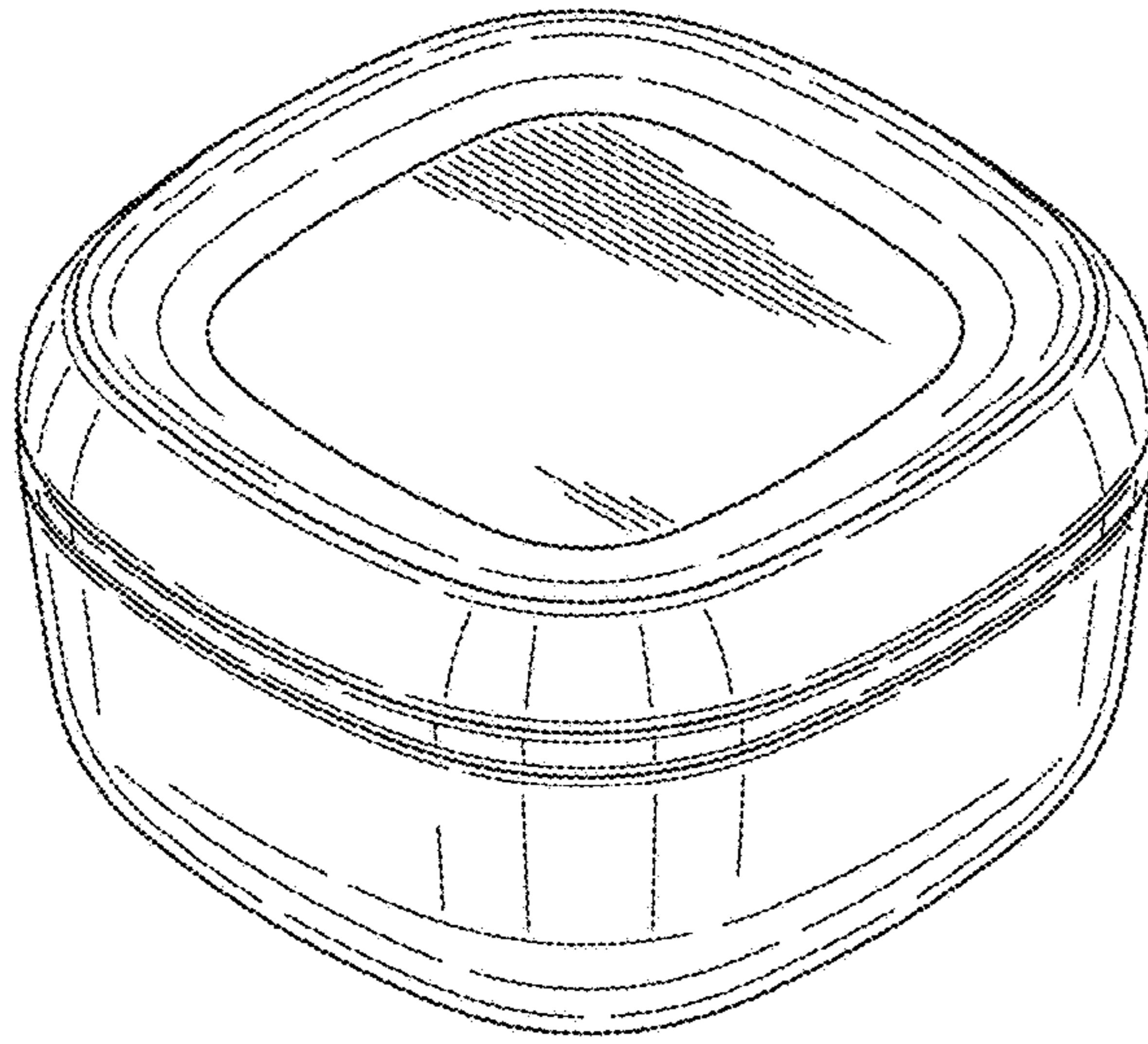


FIG. 1

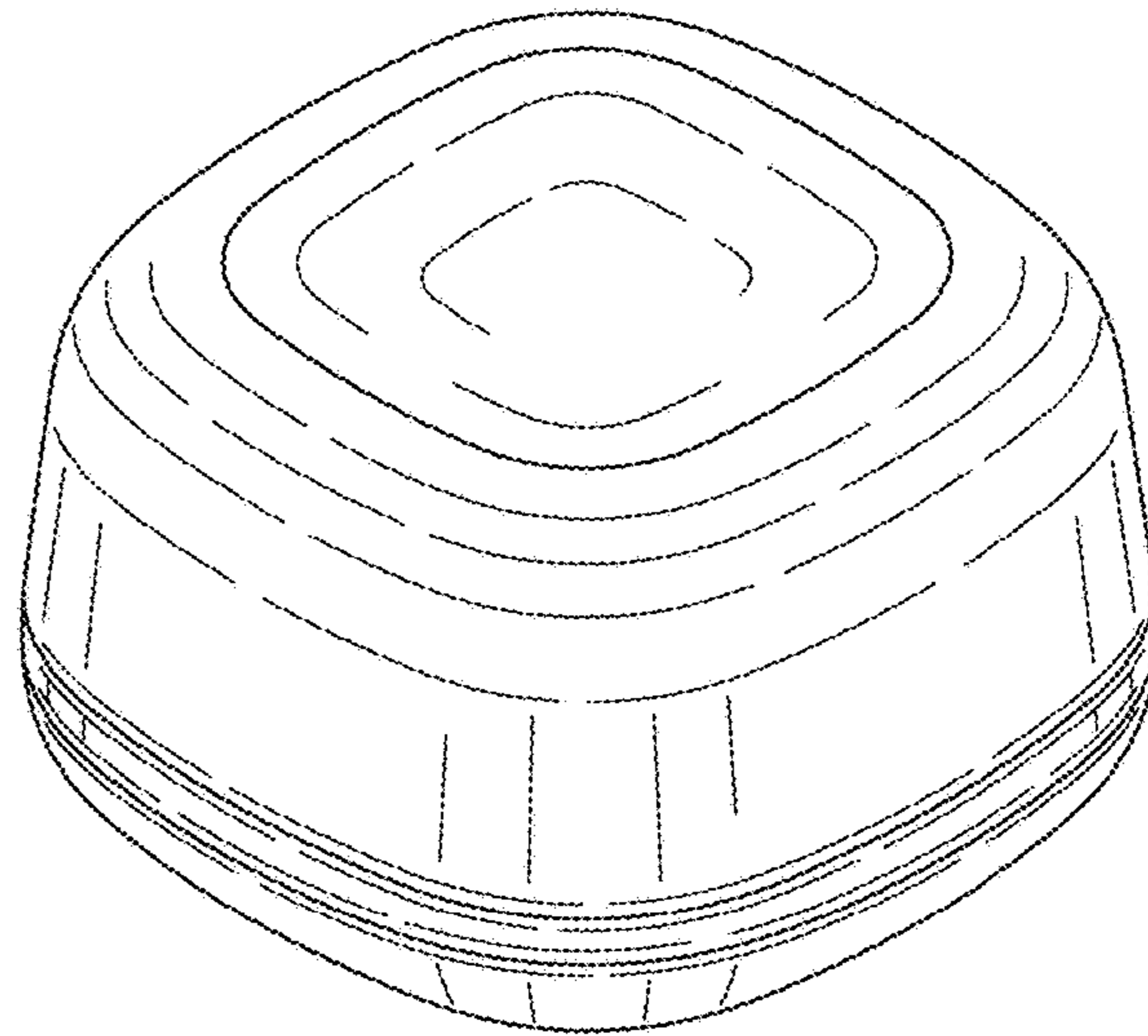


FIG. 2

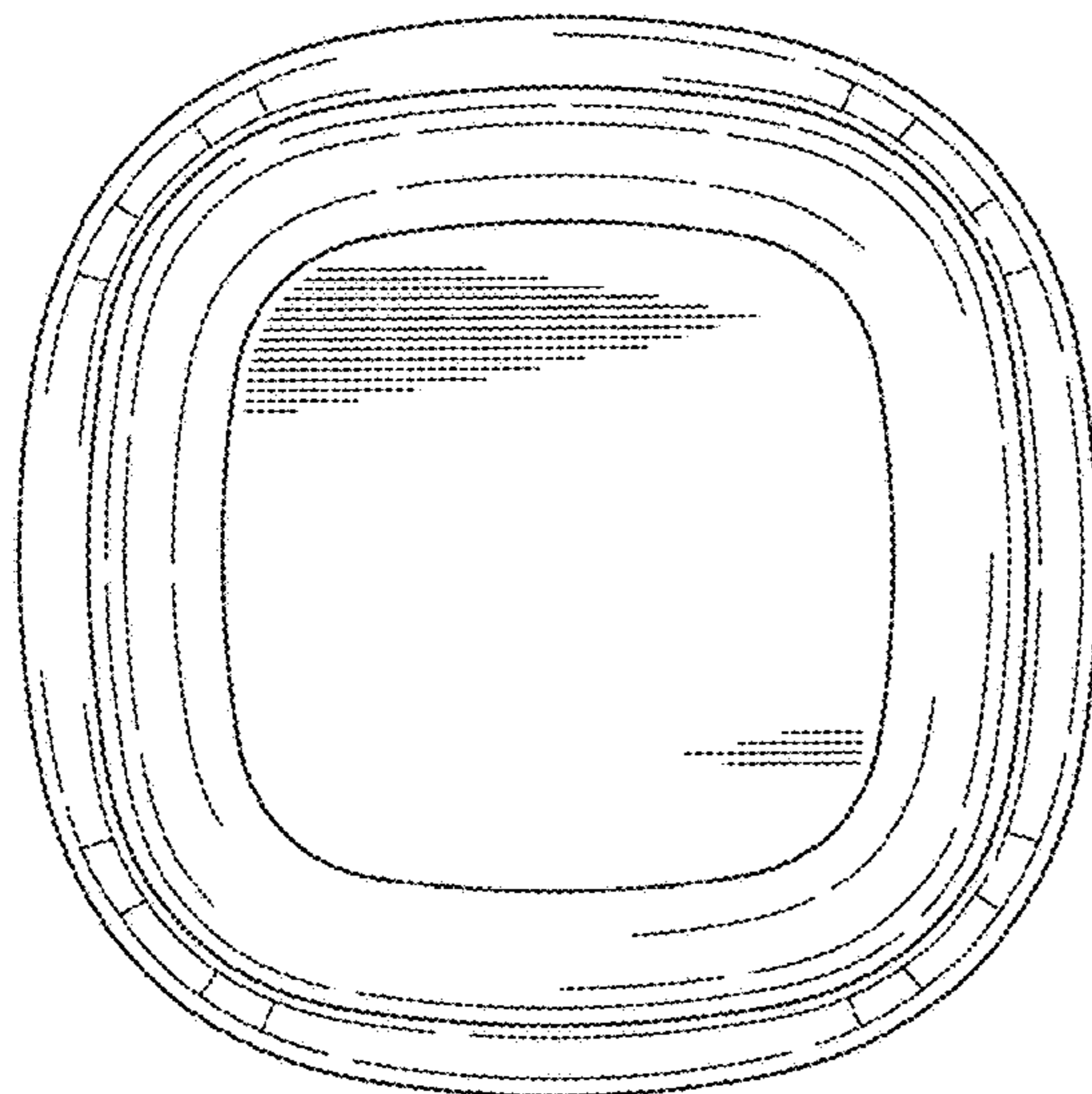


FIG. 3

FIG. 4

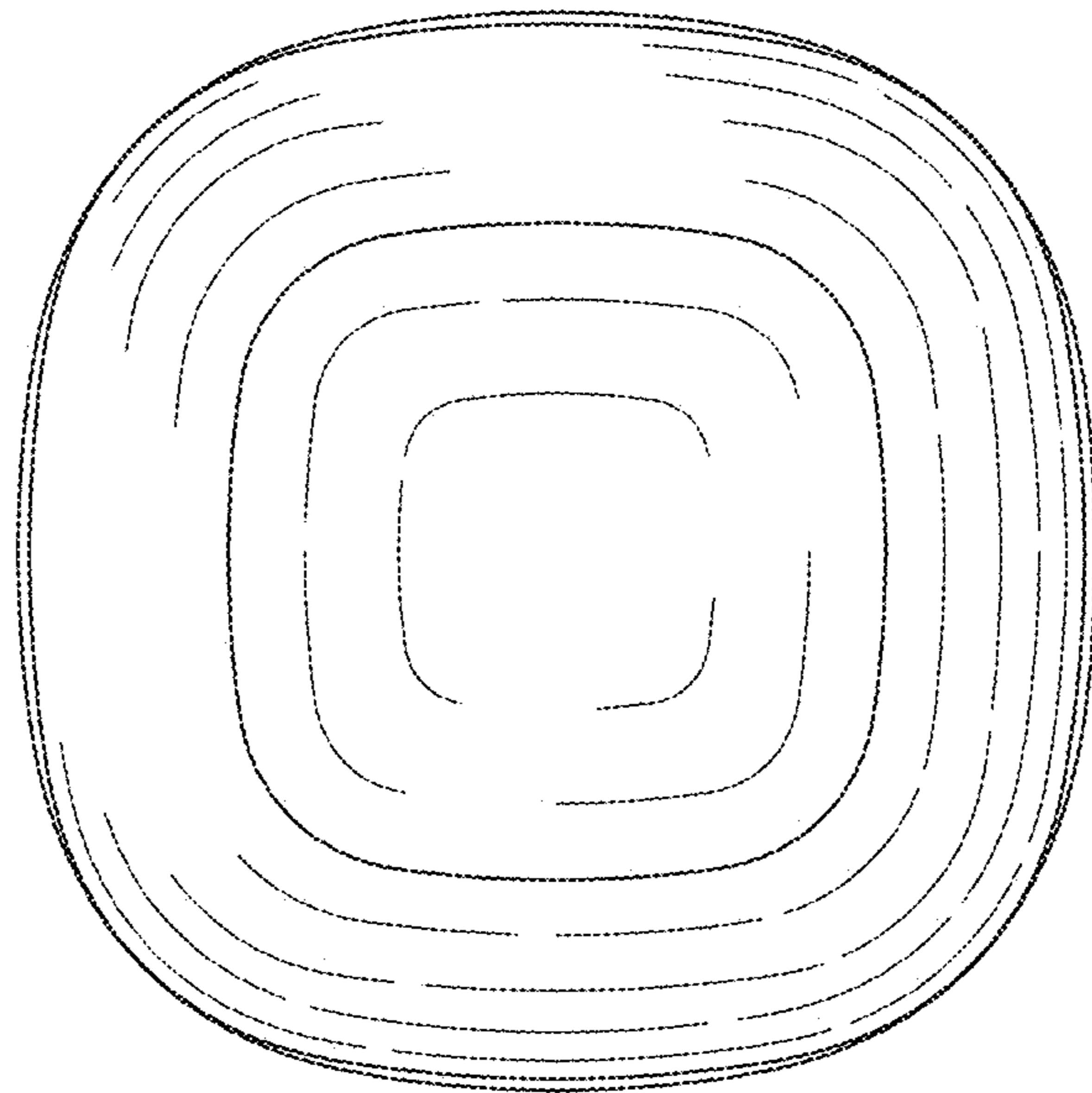
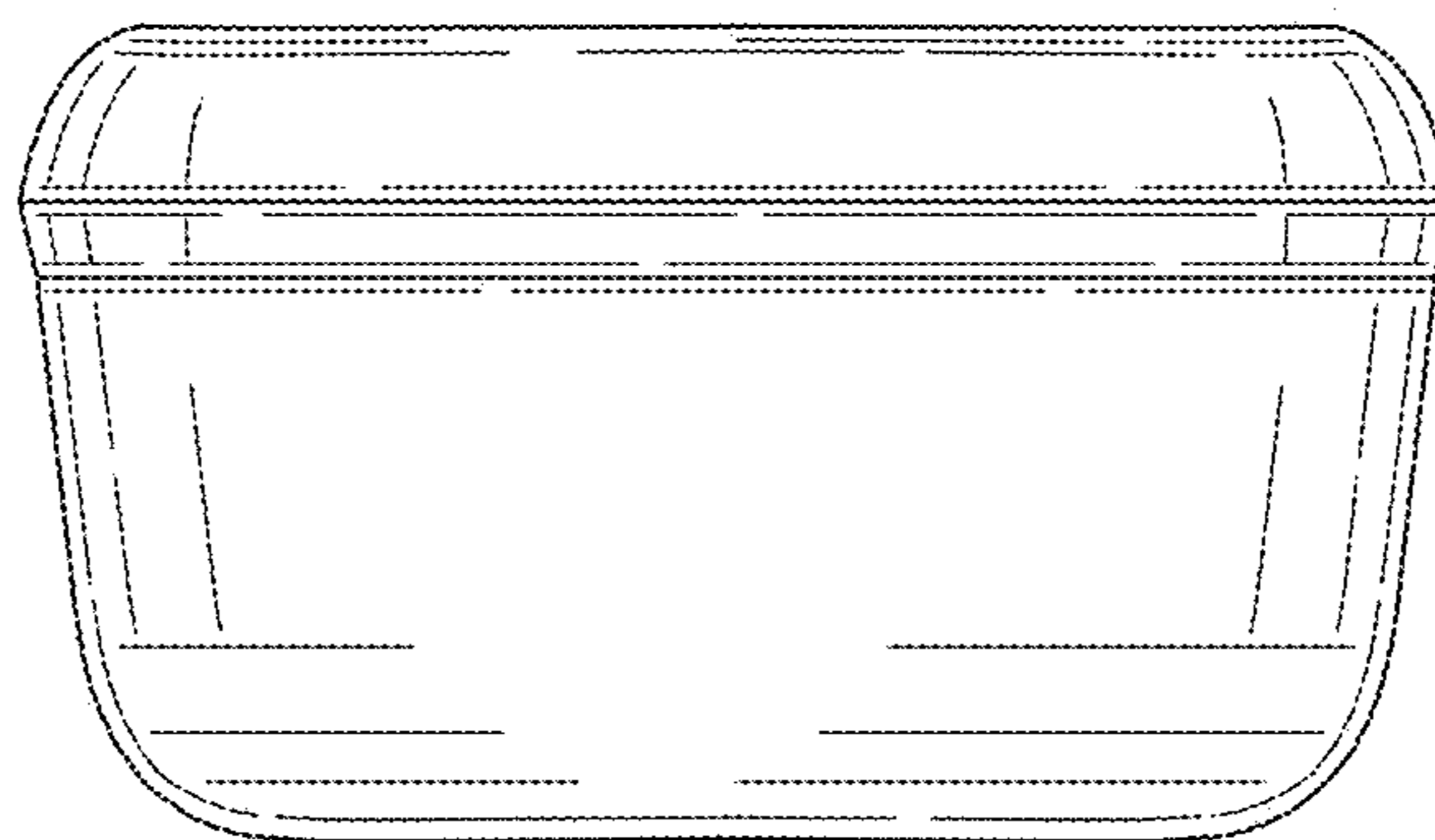


FIG. 5



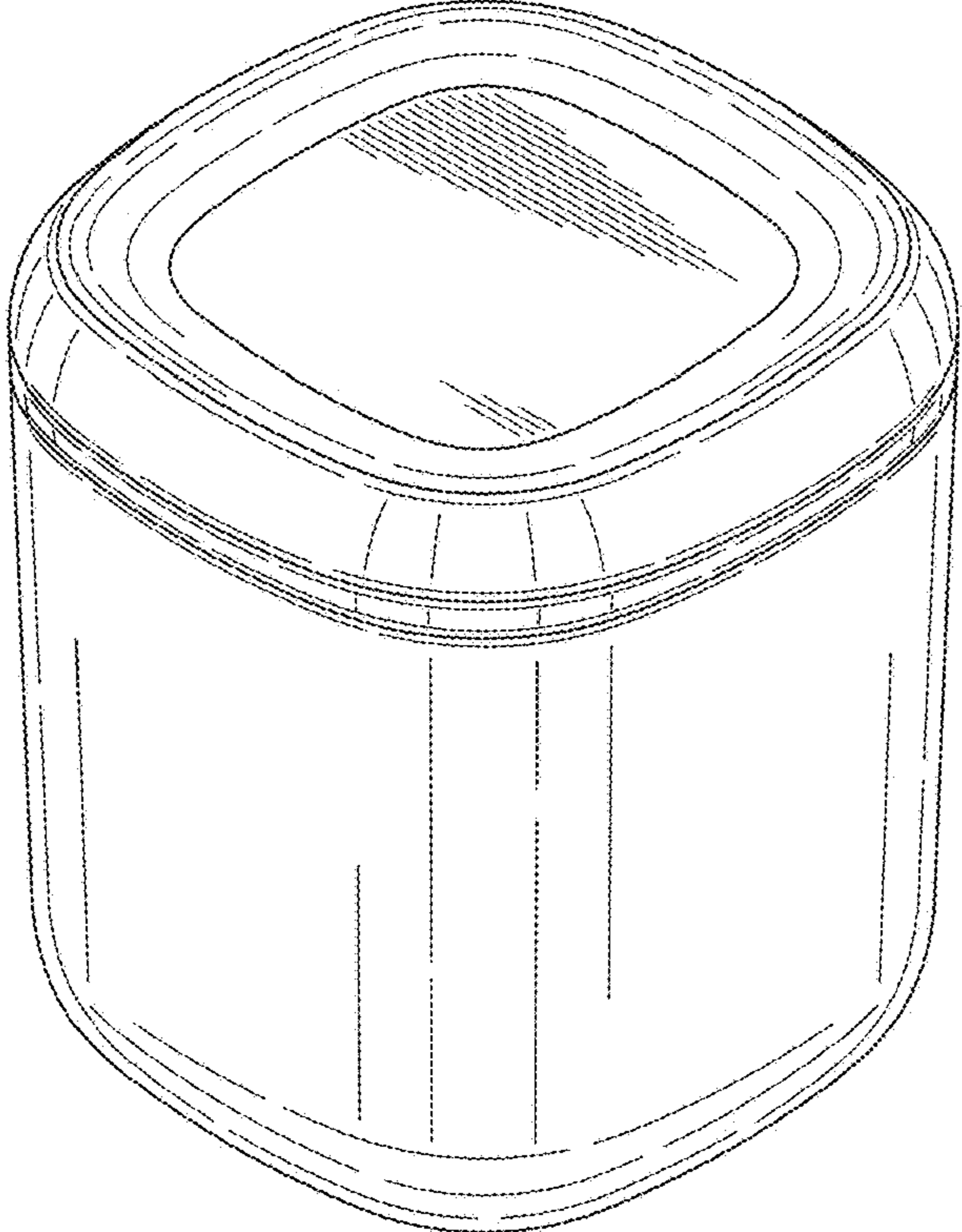
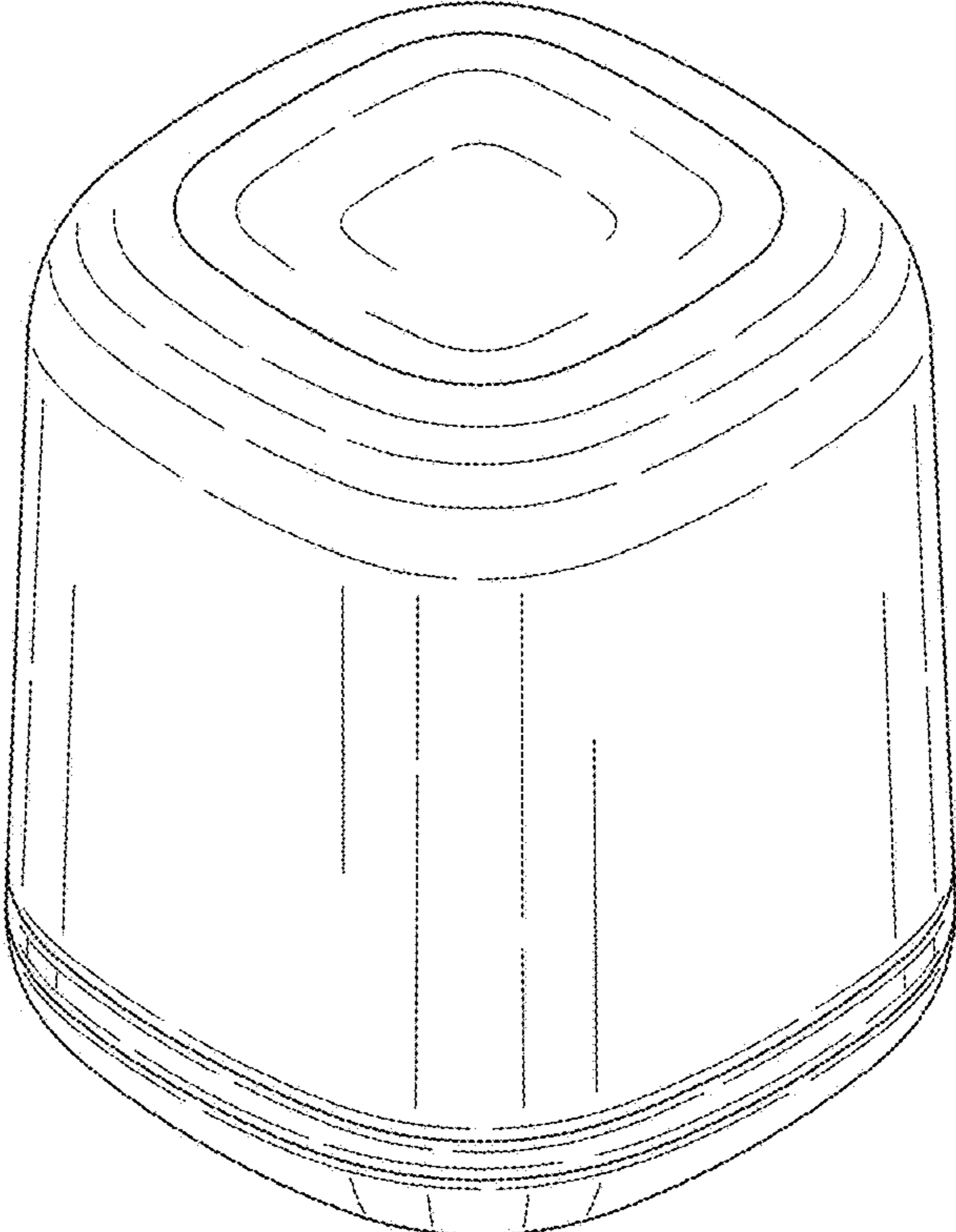


FIG. 6

FIG. 7



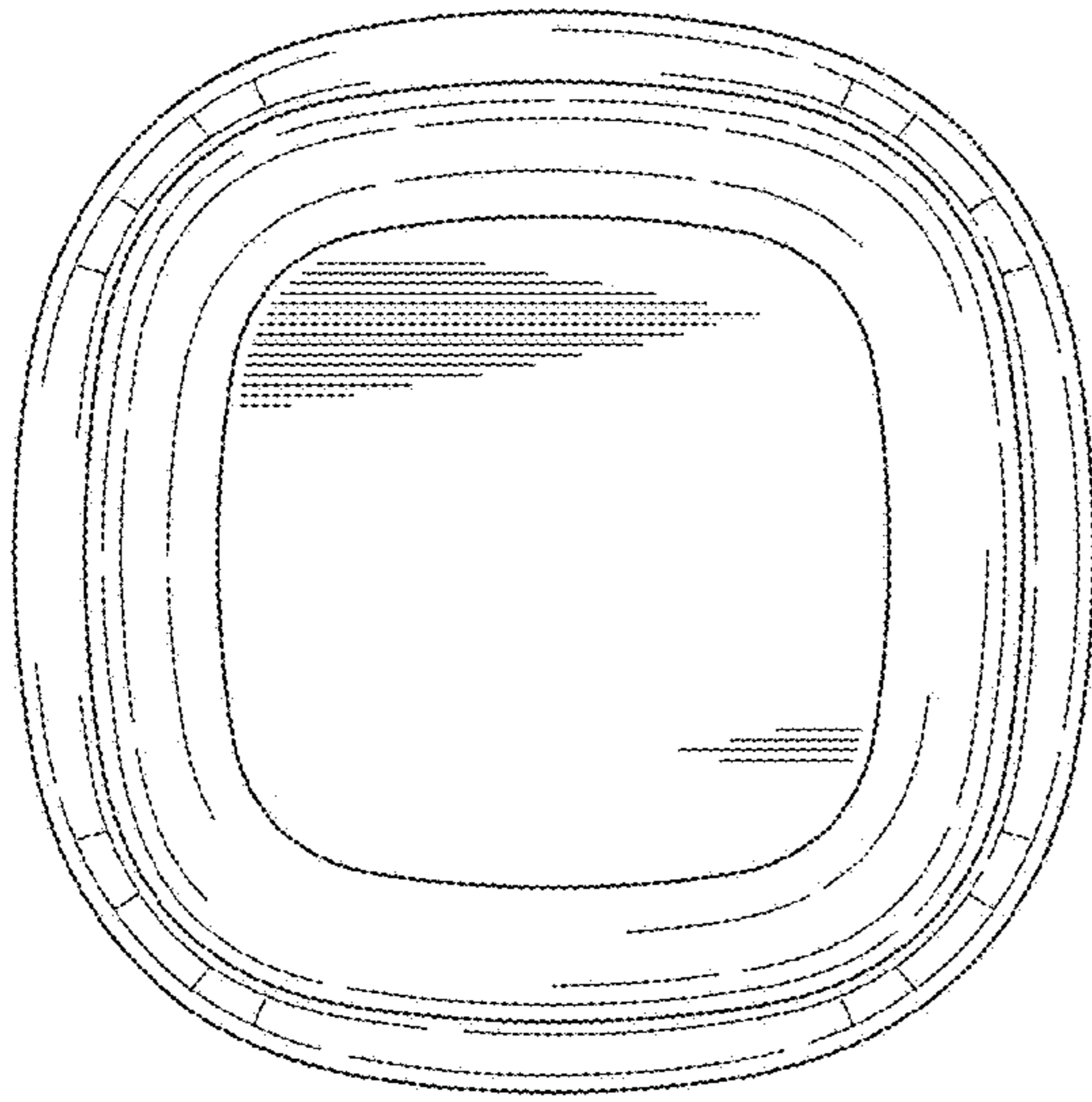


FIG. 8

FIG. 9

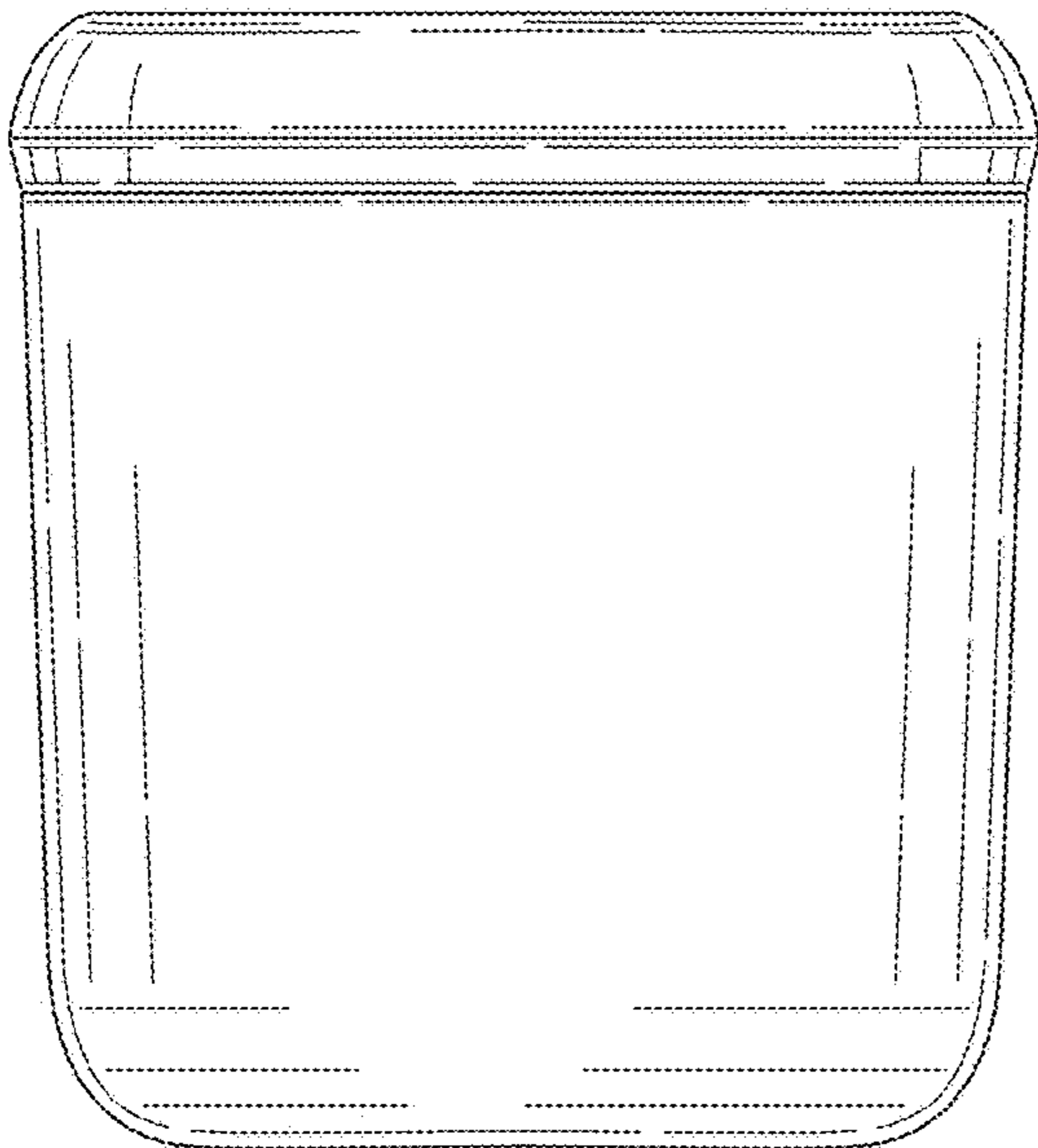
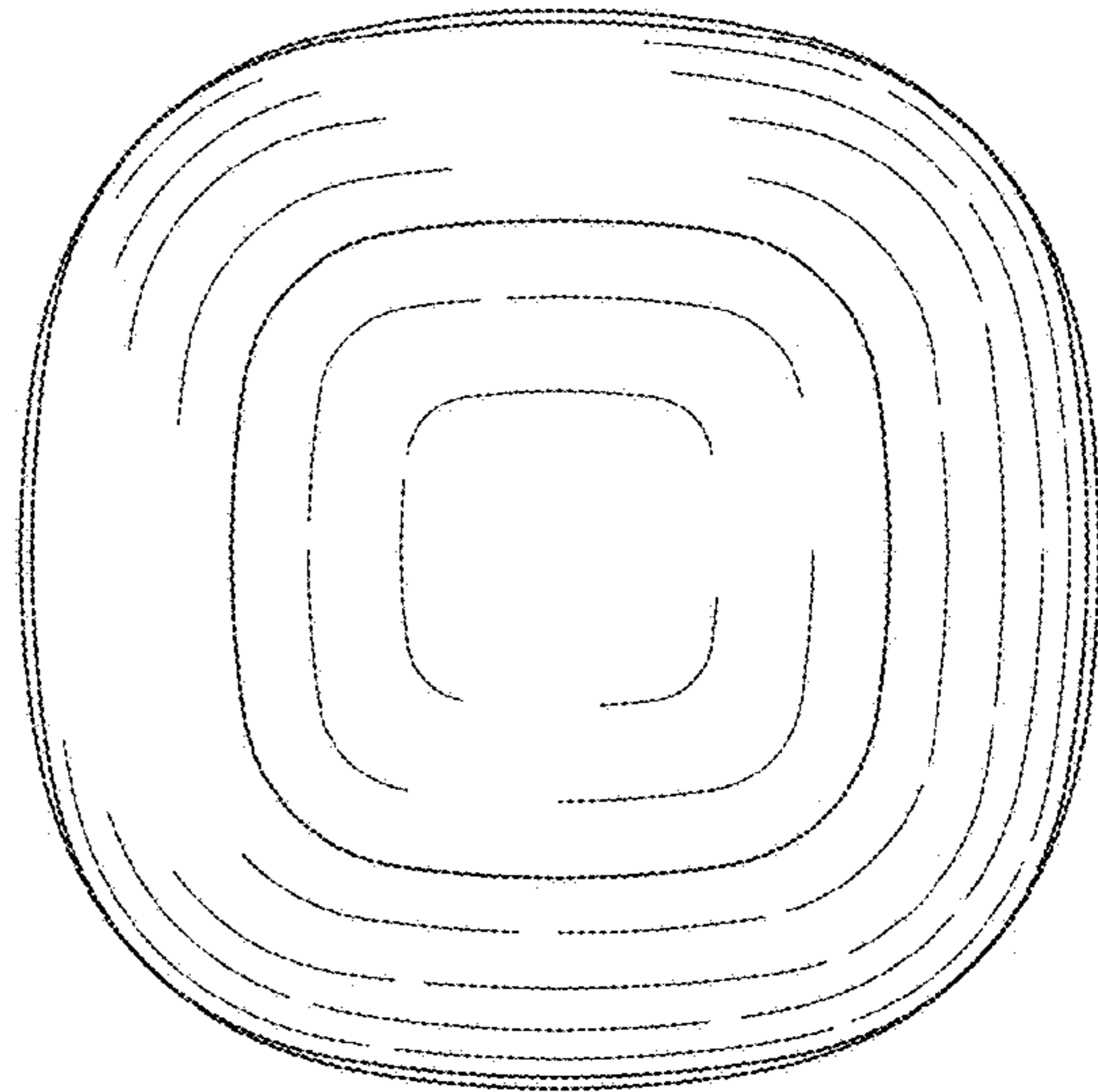


FIG. 10

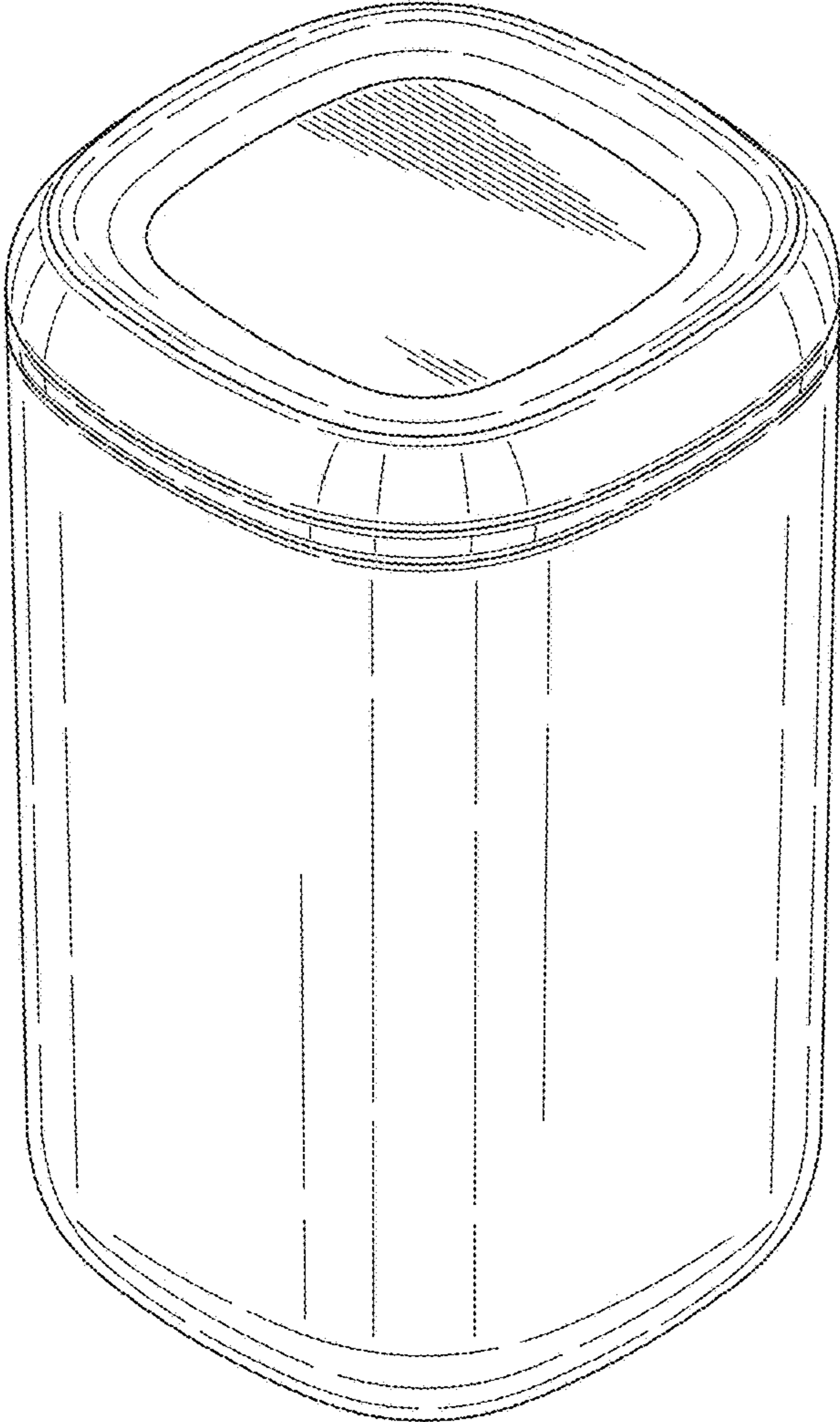
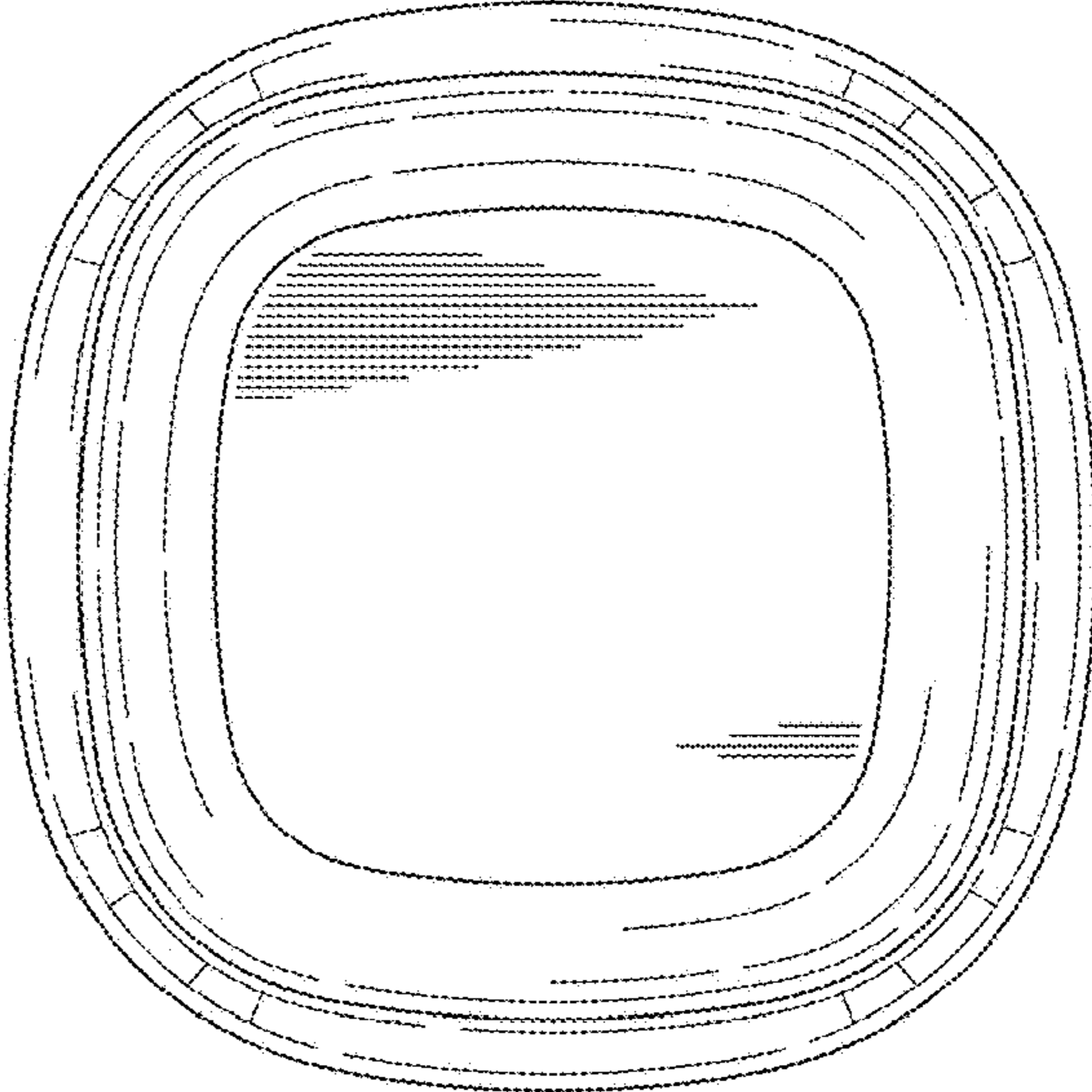


FIG. 11

FIG. 13



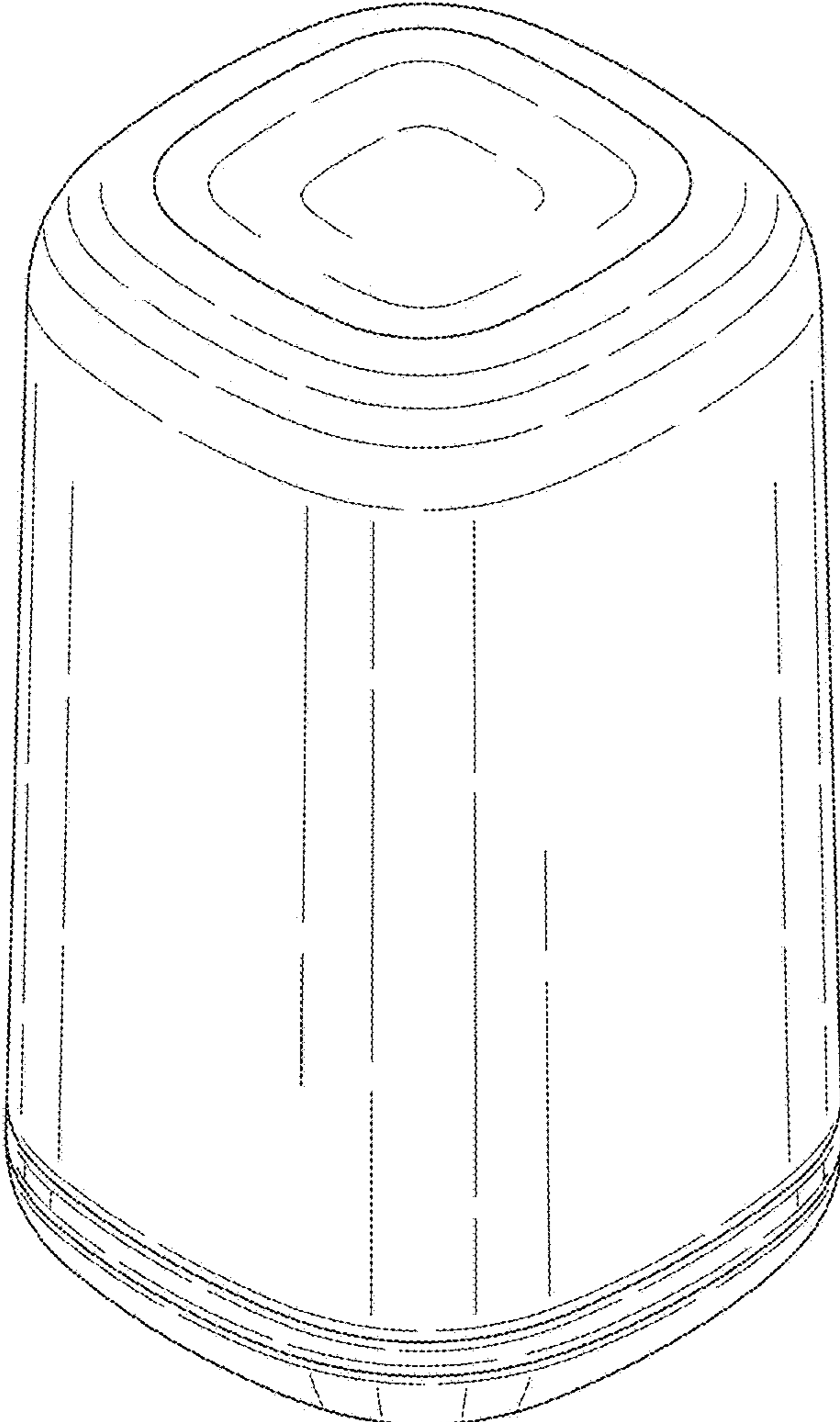


FIG. 12

FIG. 14

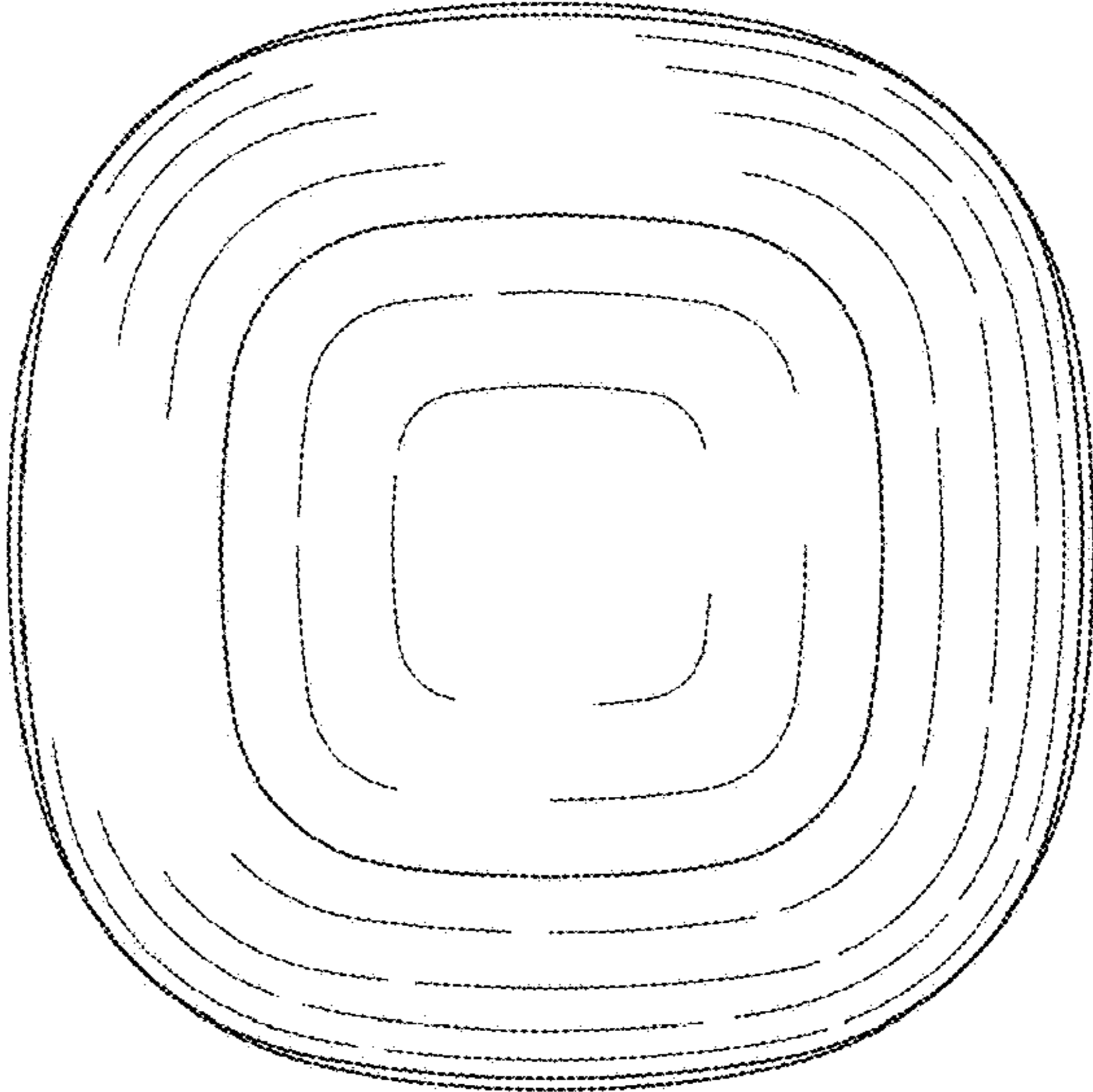
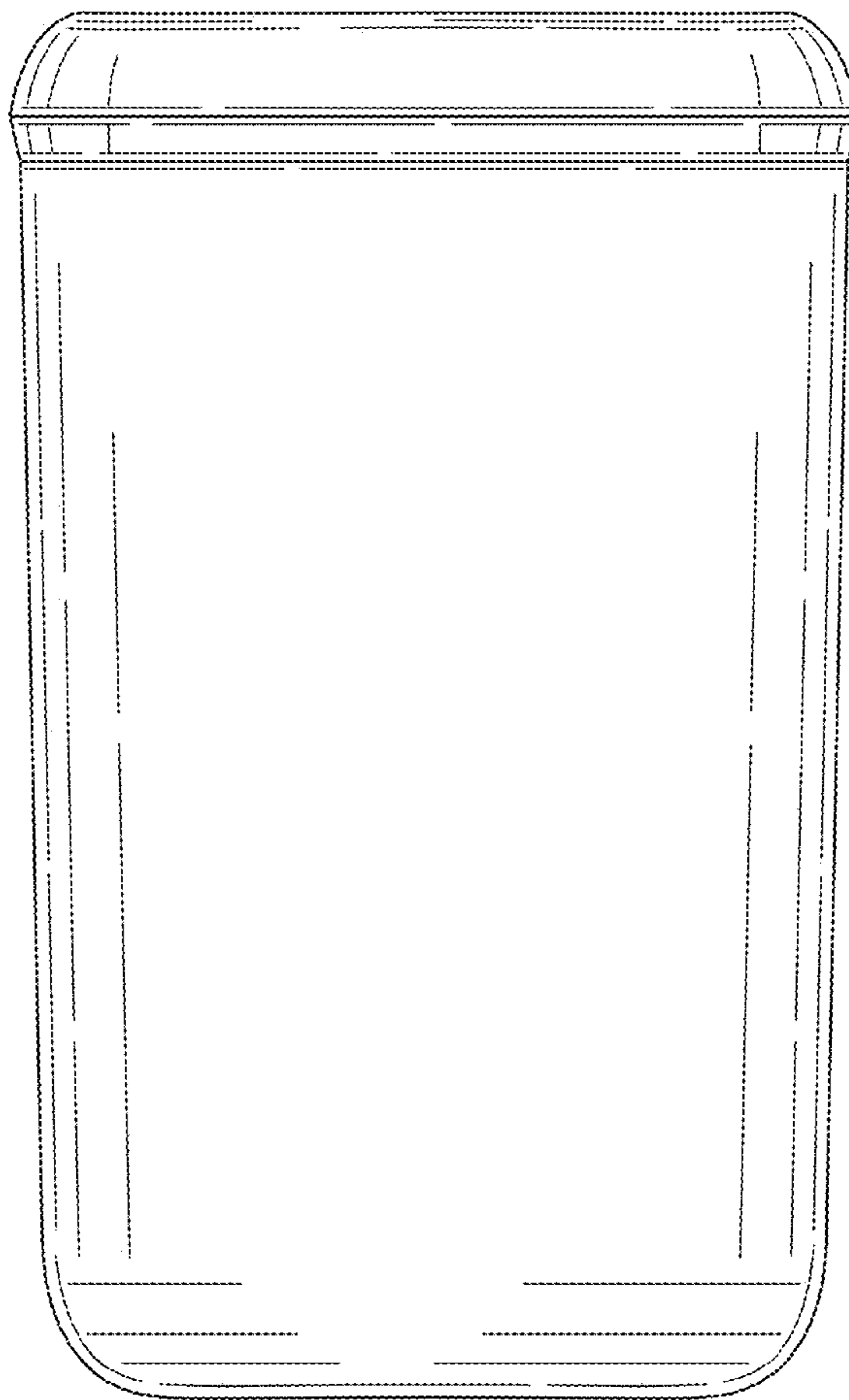


FIG. 15



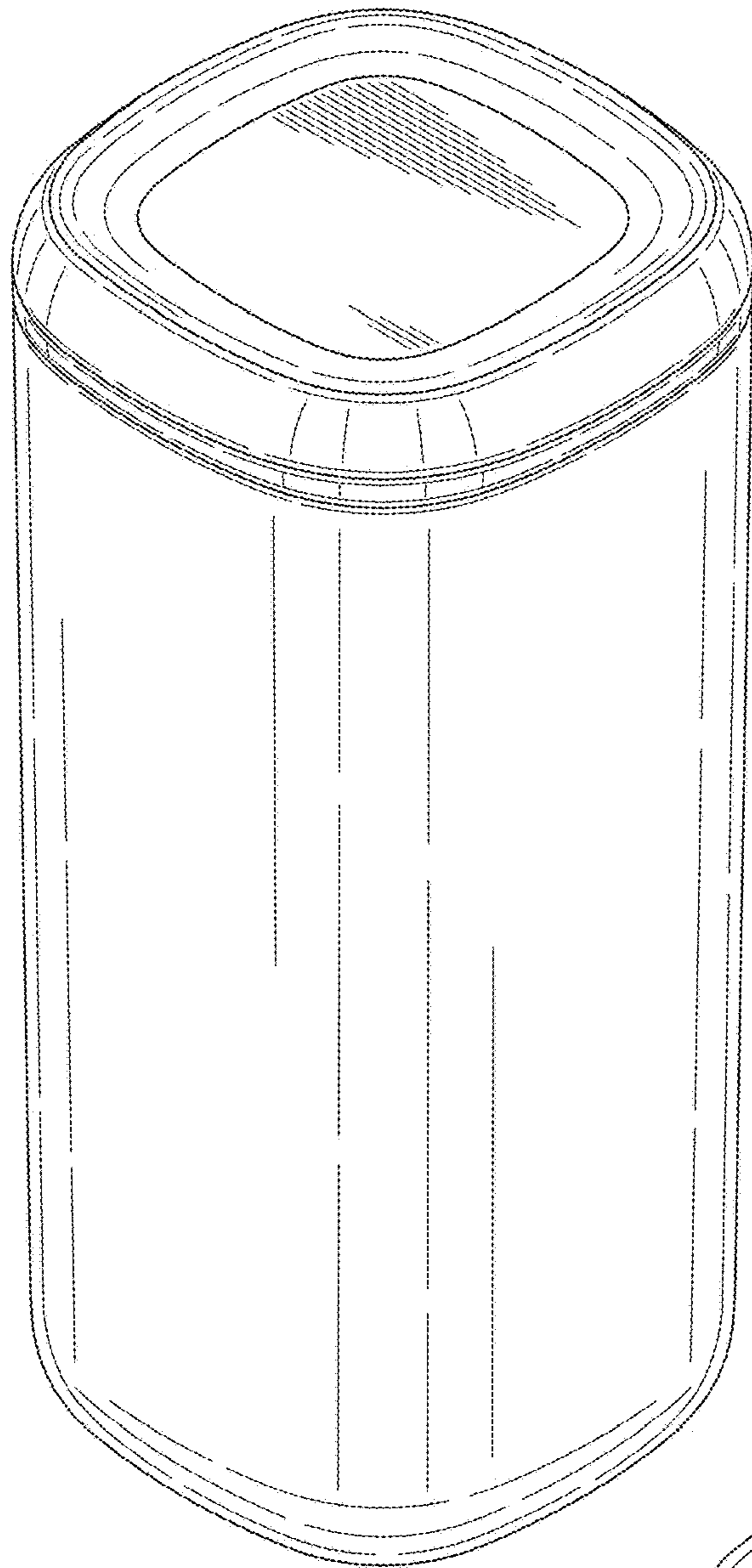
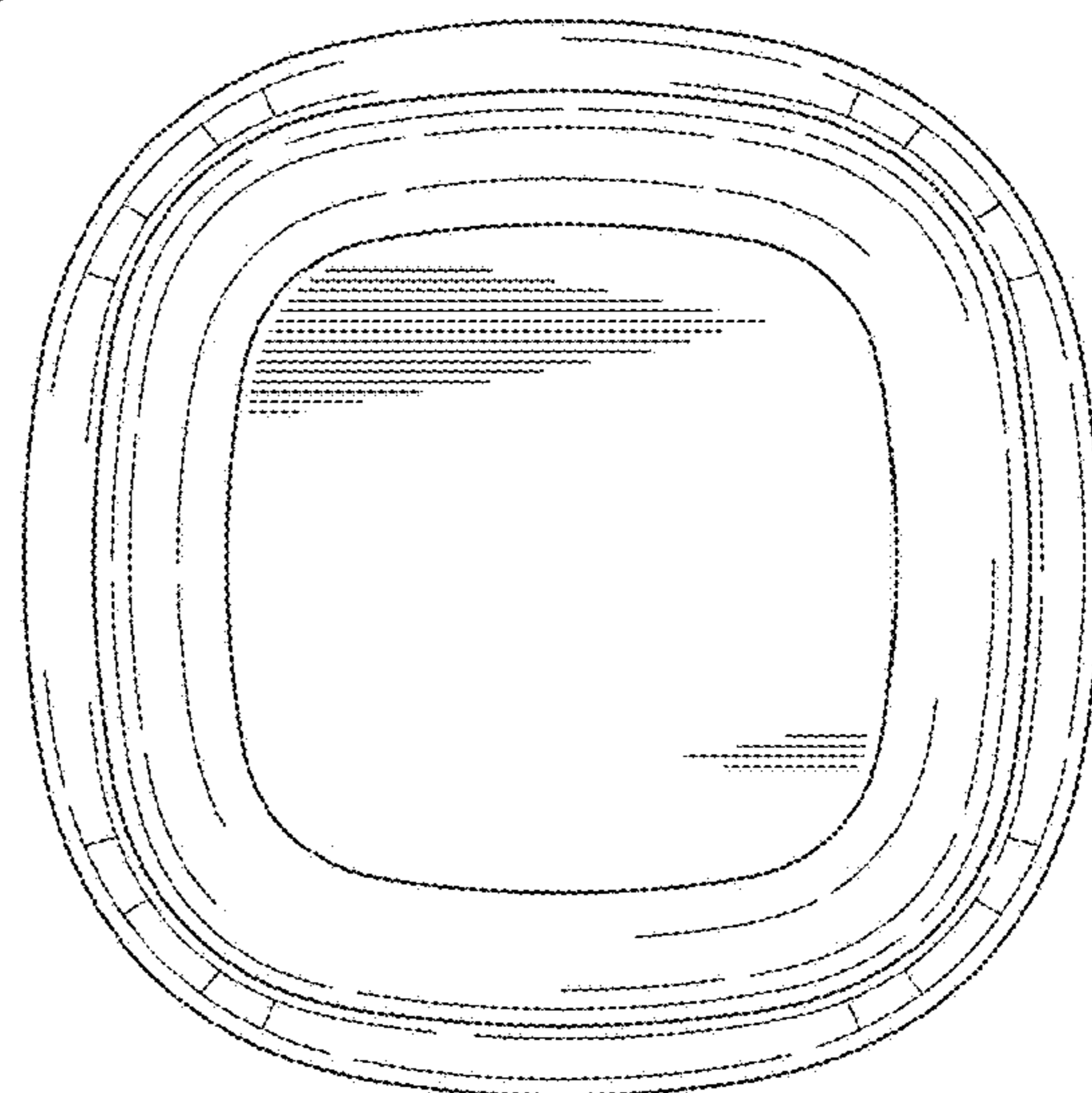


FIG. 16

FIG. 18



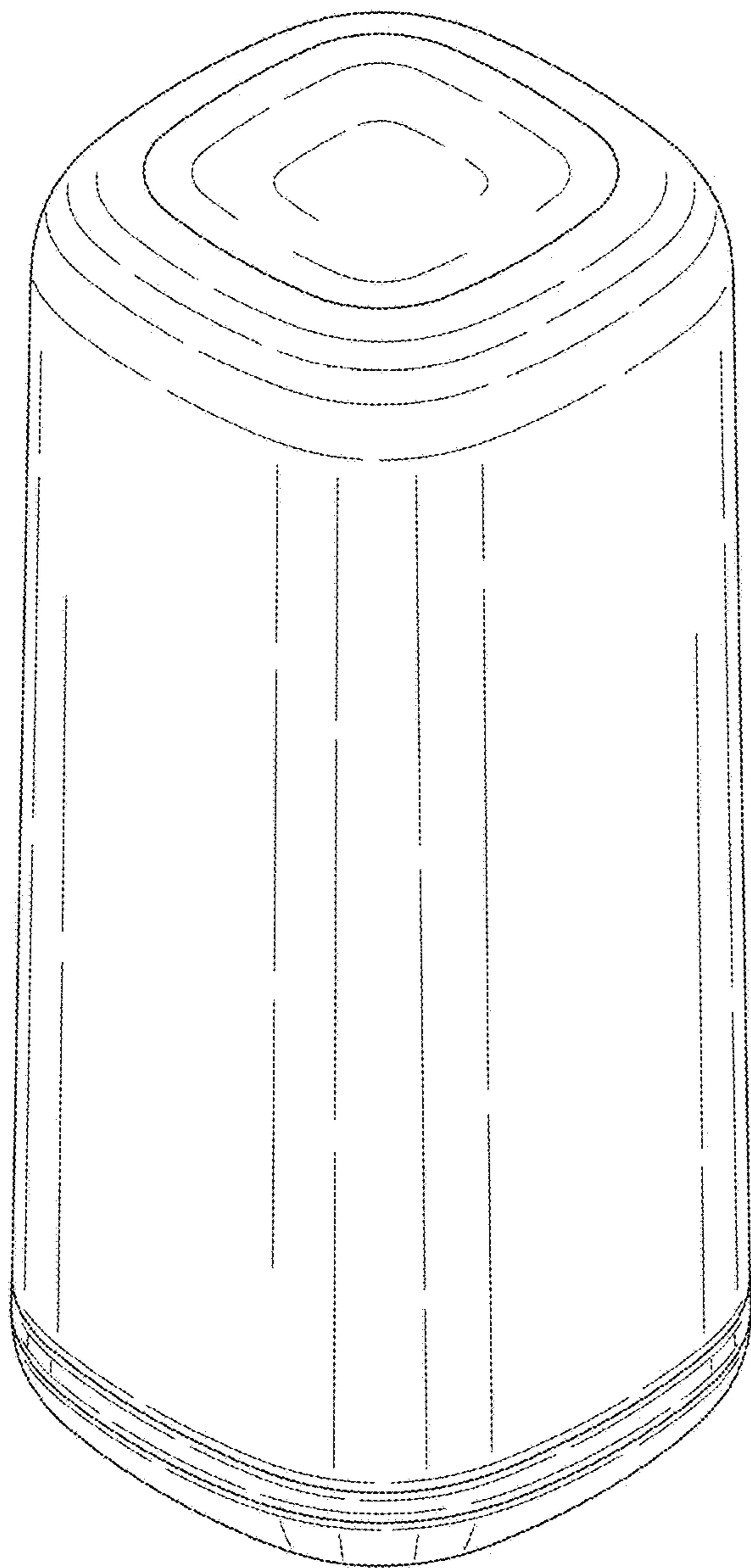


FIG. 17

FIG. 19

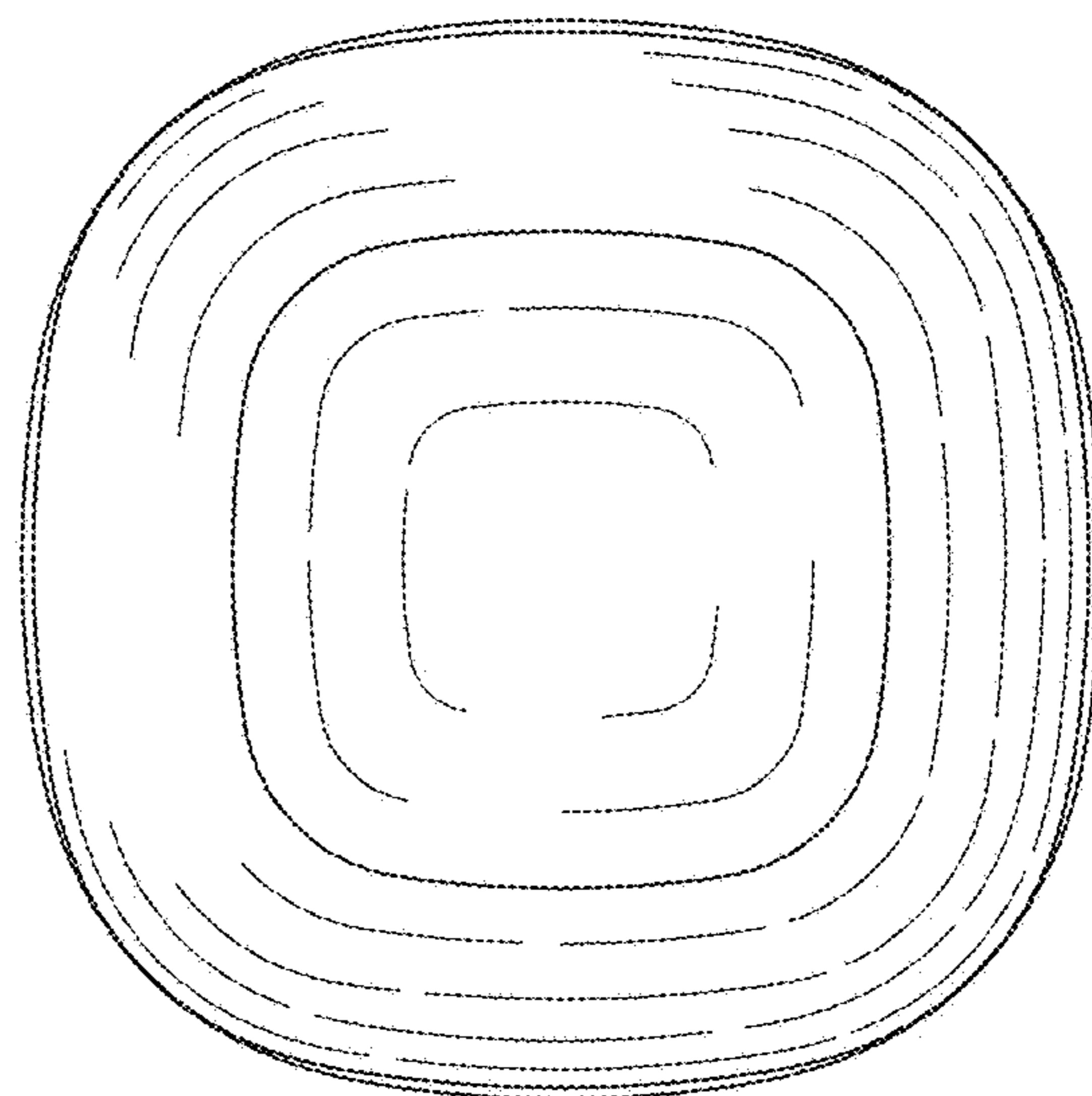


FIG. 20

