



US00D823103S

(12) **United States Design Patent**
Glasscock

(10) **Patent No.:** **US D823,103 S**

(45) **Date of Patent:** **** Jul. 17, 2018**

(54) **QUILT CLIP**

(71) Applicant: **J D Glasscock**, Columbus, TX (US)

(72) Inventor: **J D Glasscock**, Columbus, TX (US)

(73) Assignee: **J. D. Glasscock**, Columbus, TX (US)

(**) Term: **15 Years**

(21) Appl. No.: **29/548,522**

(22) Filed: **Dec. 15, 2015**

(51) **LOC (11) Cl.** **08-08**

(52) **U.S. Cl.**
USPC **D8/395**

(58) **Field of Classification Search**

USPC D8/394-396, 72; D19/56, 51;
D32/60-64; D28/40; D18/14, 15, 19
CPC . D06F 55/00; A41B 3/08; A41F 15/02; F16B
19/1081; G09F 3/14; B42F 1/006; B42F
1/08; B42F 9/001; A47F 7/02
See application file for complete search history.

(56) **References Cited**

U.S. PATENT DOCUMENTS

D315,992 S * 4/1991 Tremblay D32/64
D394,669 S * 5/1998 Becker 224/908
D408,097 S * 4/1999 Heydt D27/183
5,941,487 A * 8/1999 Keely B60R 7/082
248/231.51
6,073,897 A * 6/2000 Warren F16M 11/105
248/278.1

D555,916 S * 11/2007 Mangano D6/328
D561,573 S * 2/2008 Hyde D8/395
D598,278 S * 8/2009 Herman D8/395
D621,627 S * 8/2010 Mangano D6/328
D642,312 S * 7/2011 Rothman D26/60
D719,807 S * 12/2014 Robinson D8/72
D724,937 S * 3/2015 Zilisch D8/395
D725,462 S * 3/2015 Zilisch D8/395
D742,354 S * 11/2015 McNamara D14/205
D785,445 S * 5/2017 Hong D8/395

* cited by examiner

Primary Examiner — John Windmuller

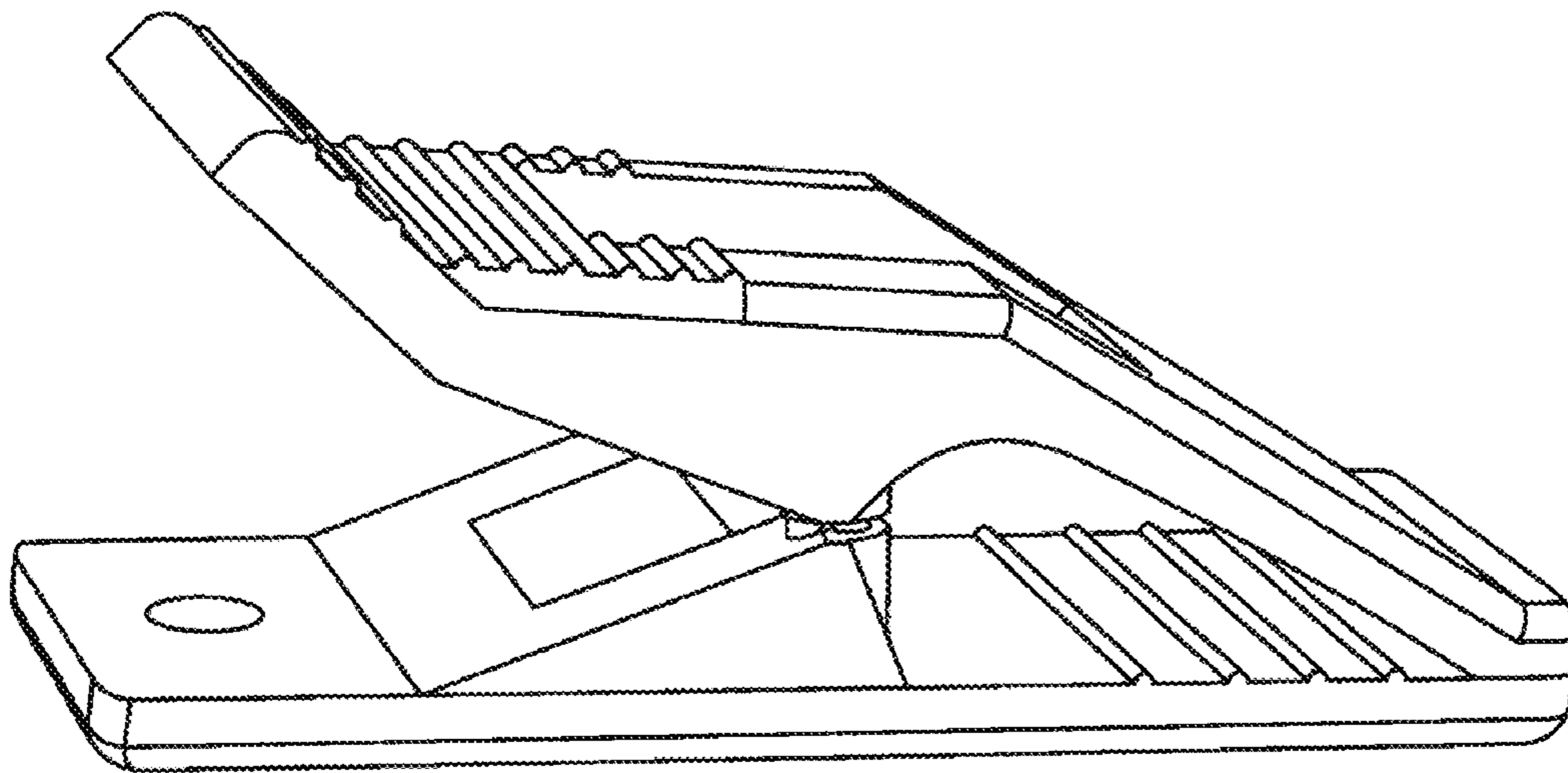
(57) **CLAIM**

The ornamental design for the quilt clip, as shown and described.

DESCRIPTION

FIG. 1 is a top view of the clip of the invention.
FIG. 2 is a bottom view of the clip of FIG. 1.
FIG. 3 is a side view of the clip of FIG. 1.
FIG. 4 is the opposing side view of the clip of FIG. 1.
FIG. 5 is a front end view of the clip of FIG. 1.
FIG. 6 is a back end view of the clip of FIG. 1.
FIG. 7 is a schematic of a top view of the clip shown in FIG. 1 without the bottom of the clip.
FIG. 8 is a schematic perspective view of the top of the clip of FIG. 7.
FIG. 9 is a schematic of the opposing side view of the clip shown in FIG. 4 without the bottom of the clip; and,
FIG. 10 is a schematic of a bottom view of the clip shown in FIG. 2 without the top of the clip.

1 Claim, 10 Drawing Sheets



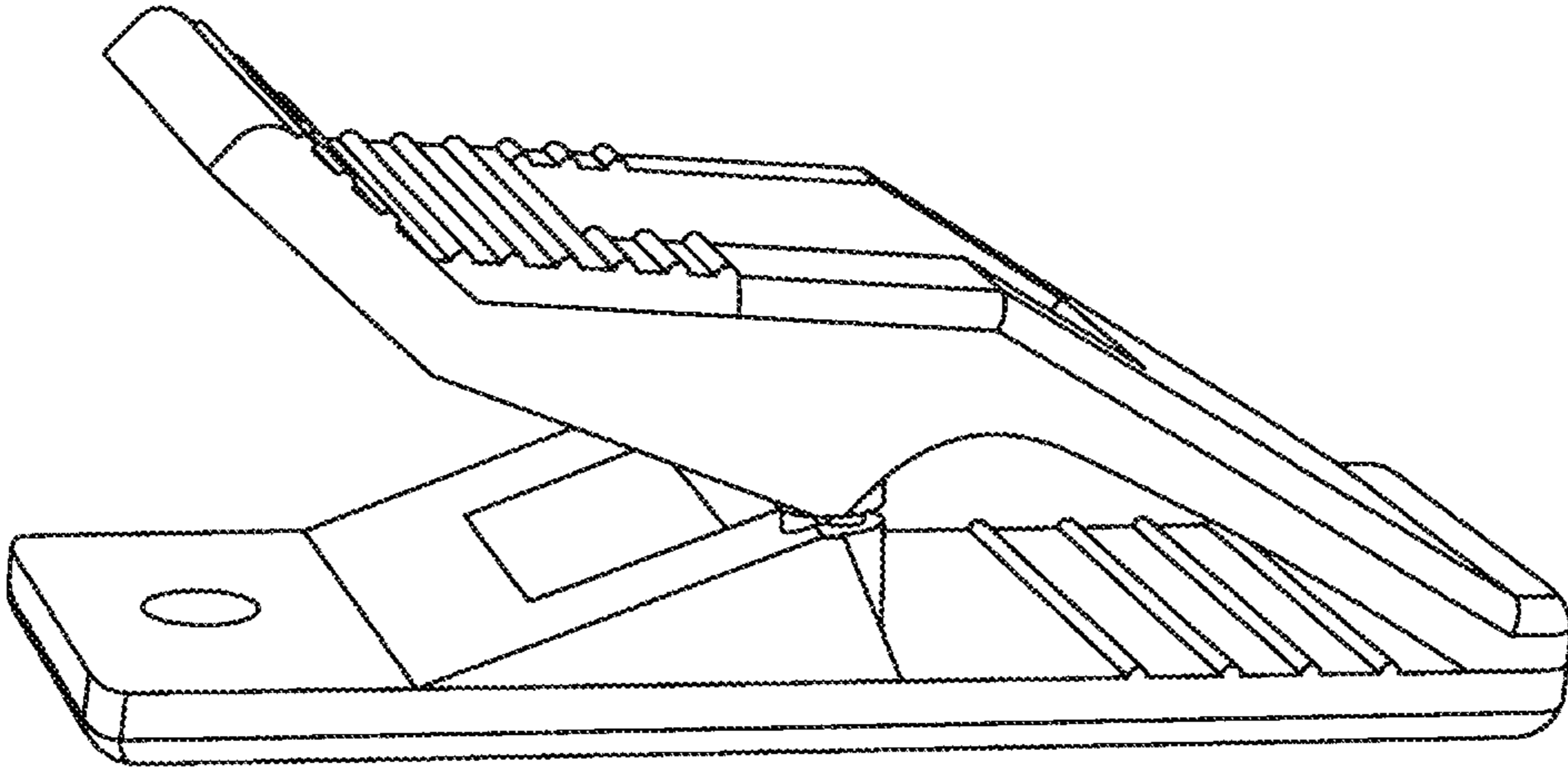


FIG.1

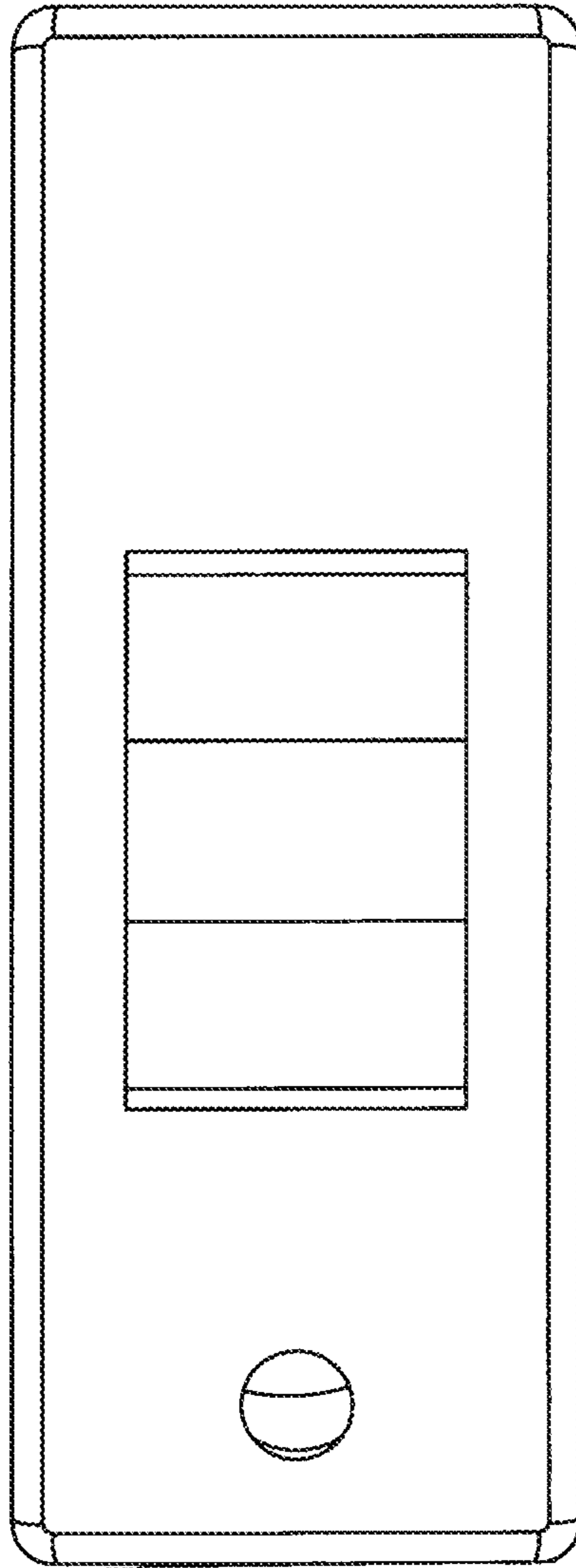


FIG.2

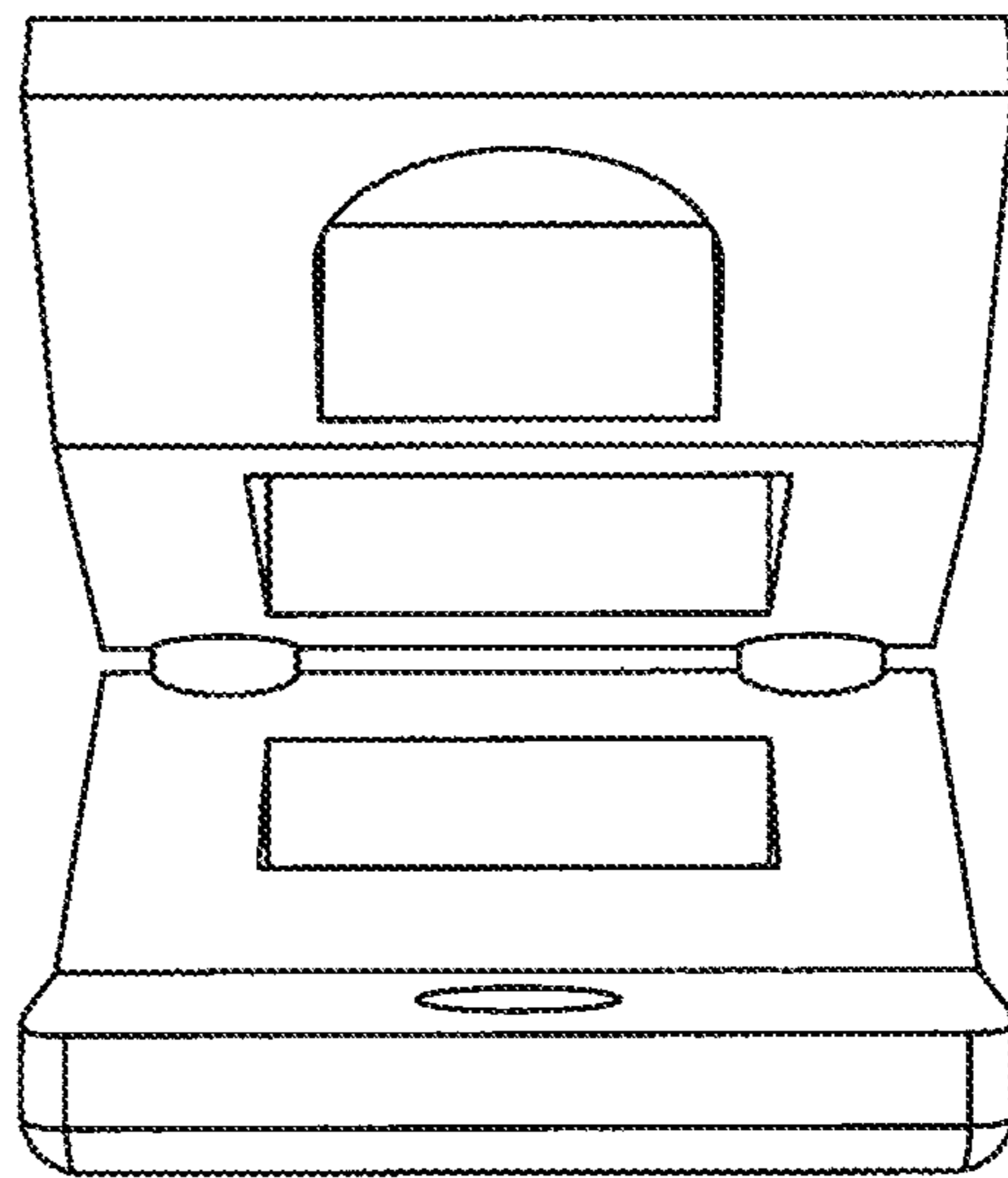


FIG.3

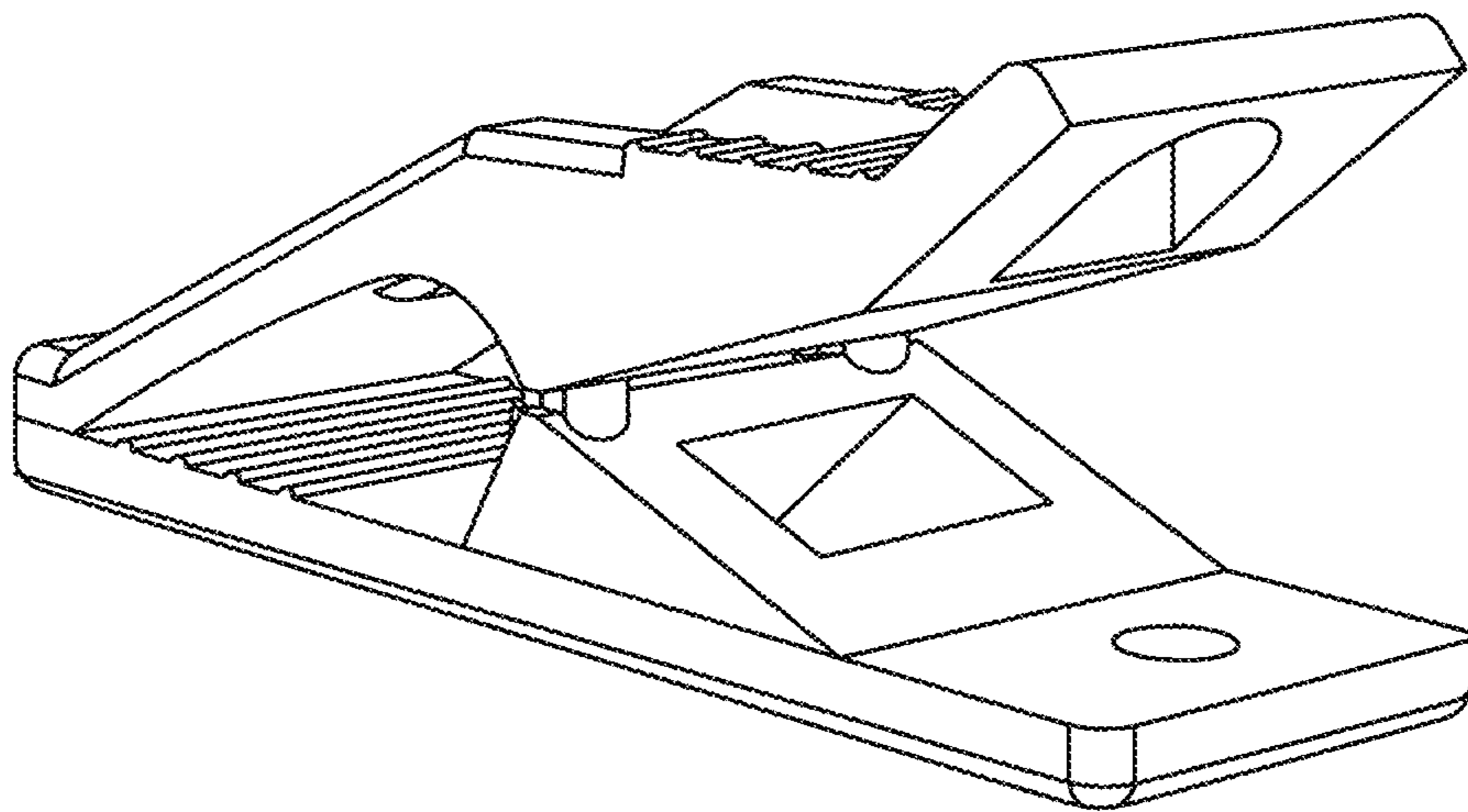


FIG.4

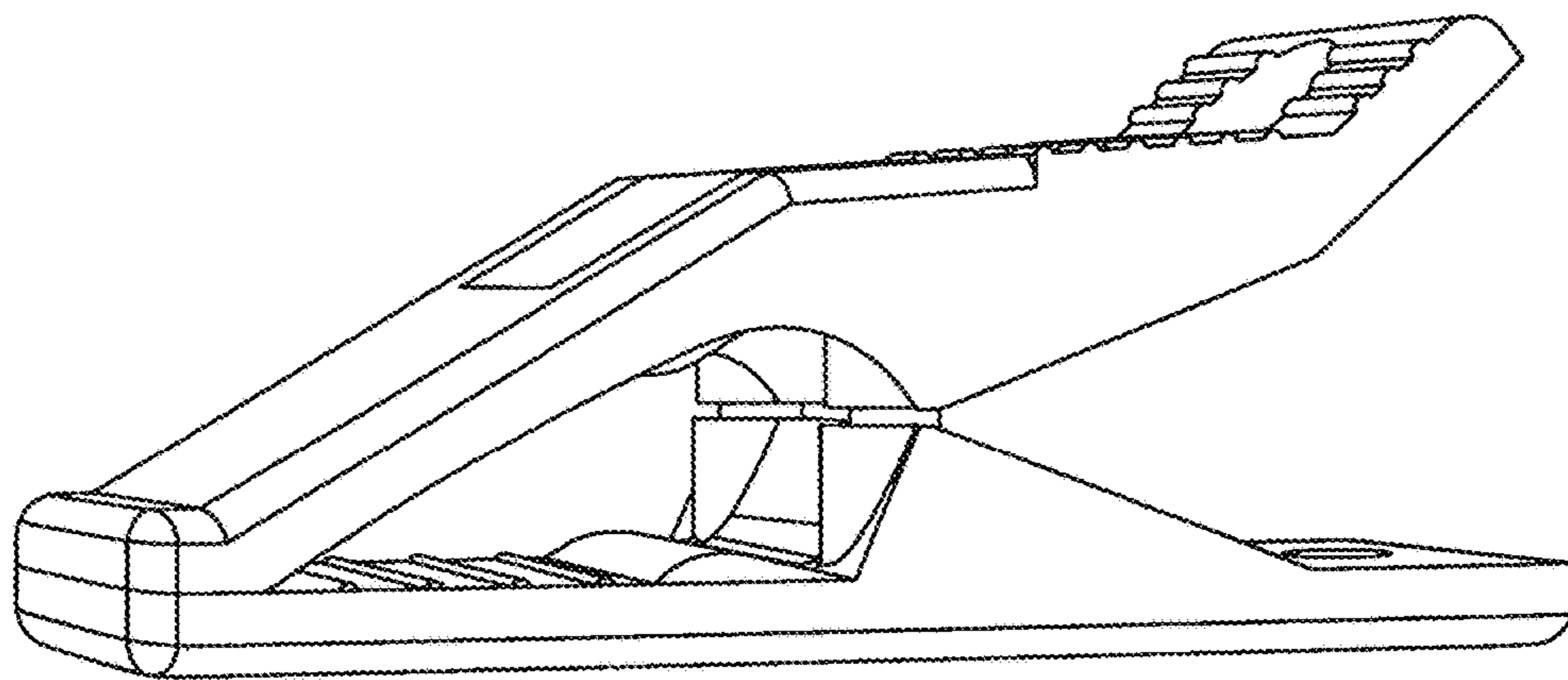


FIG.5

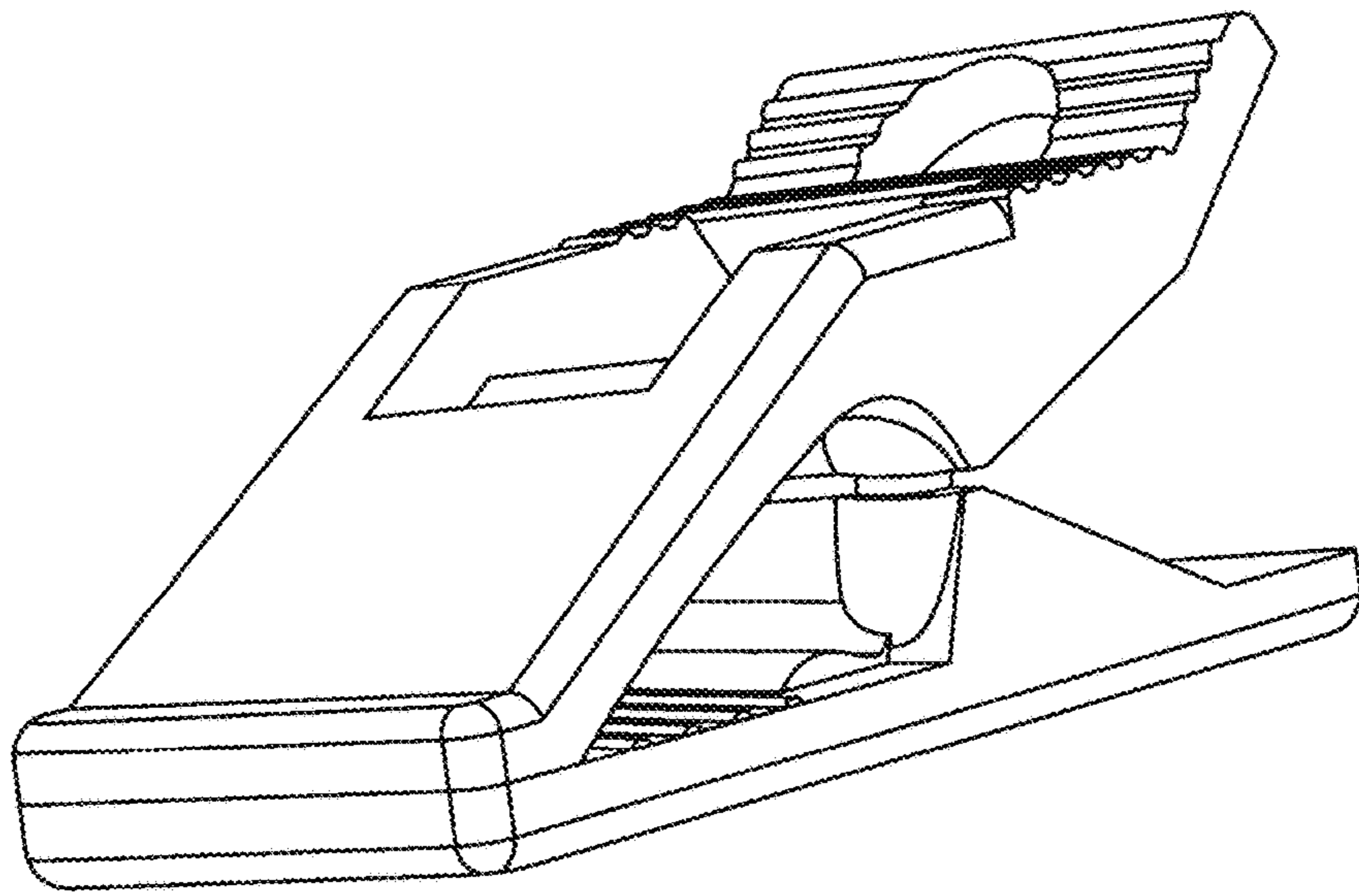


FIG.6

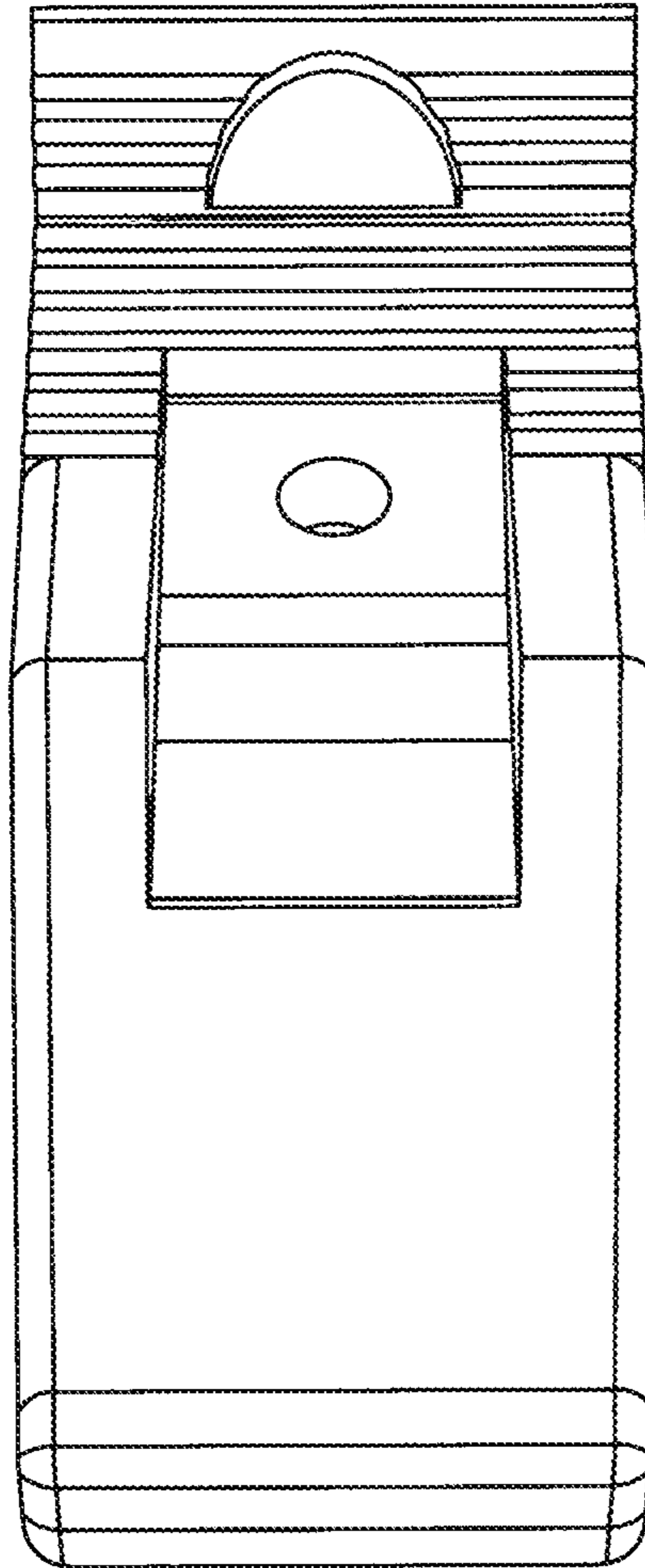


FIG.7

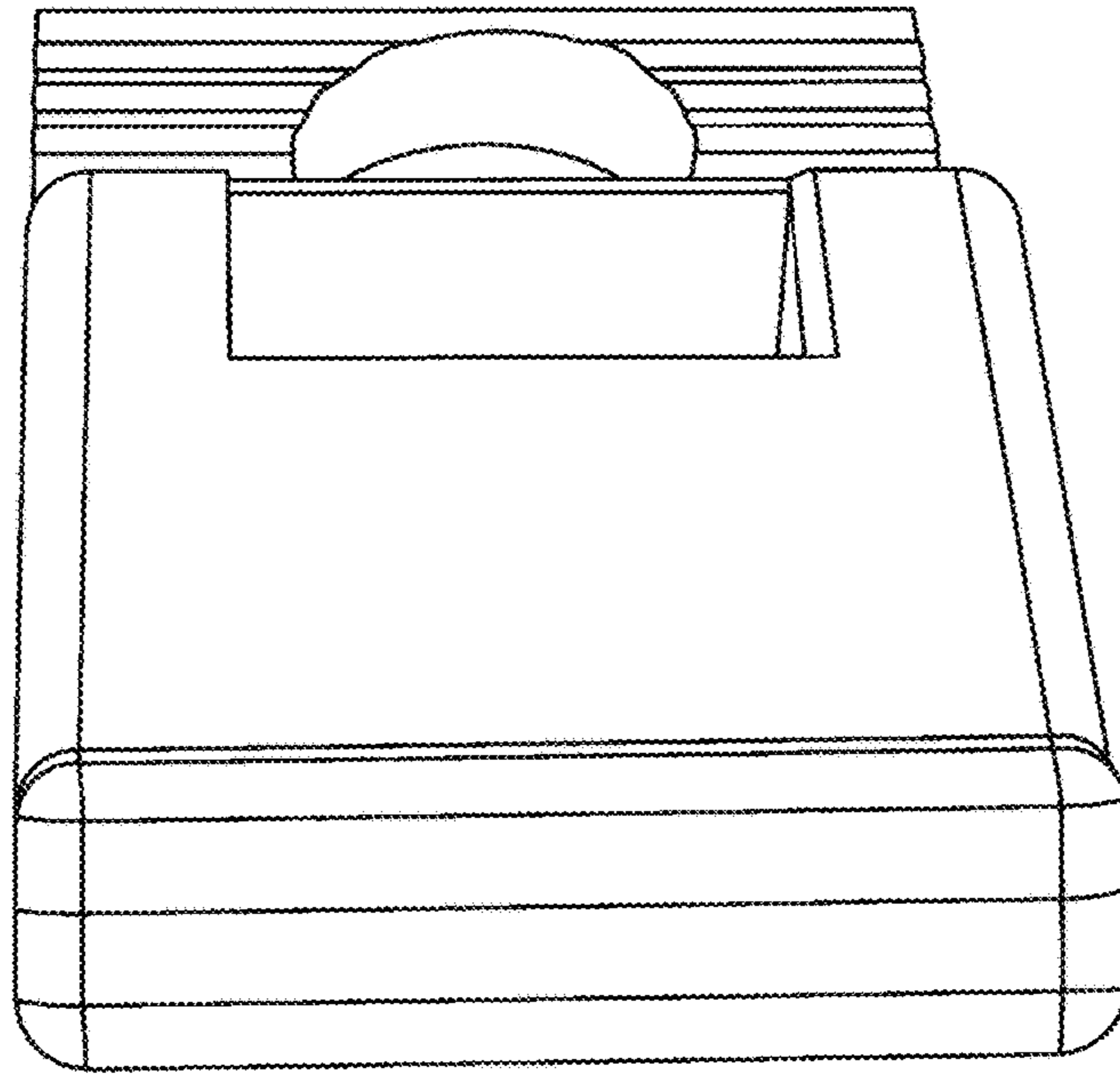


FIG.8

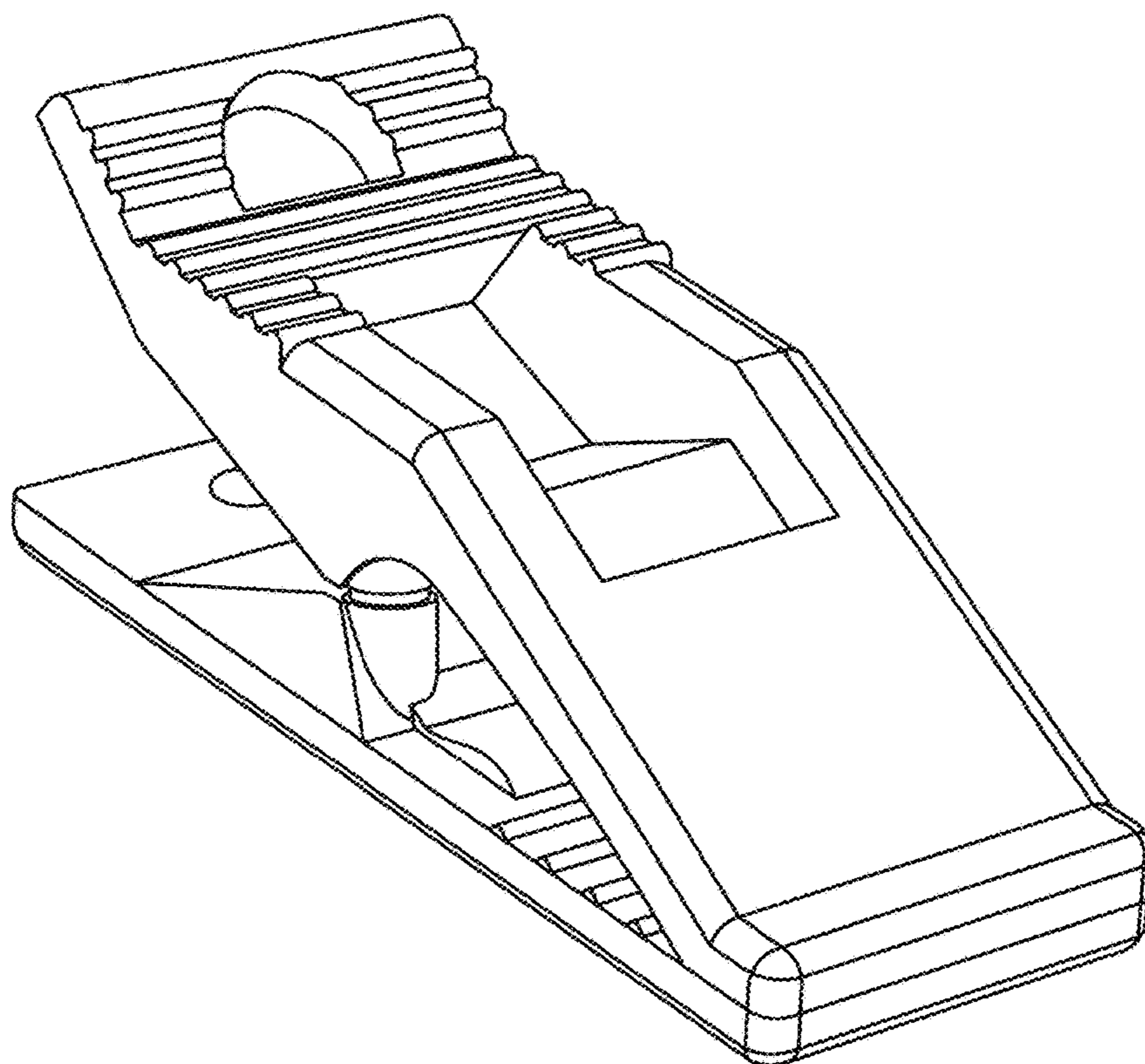


FIG.9

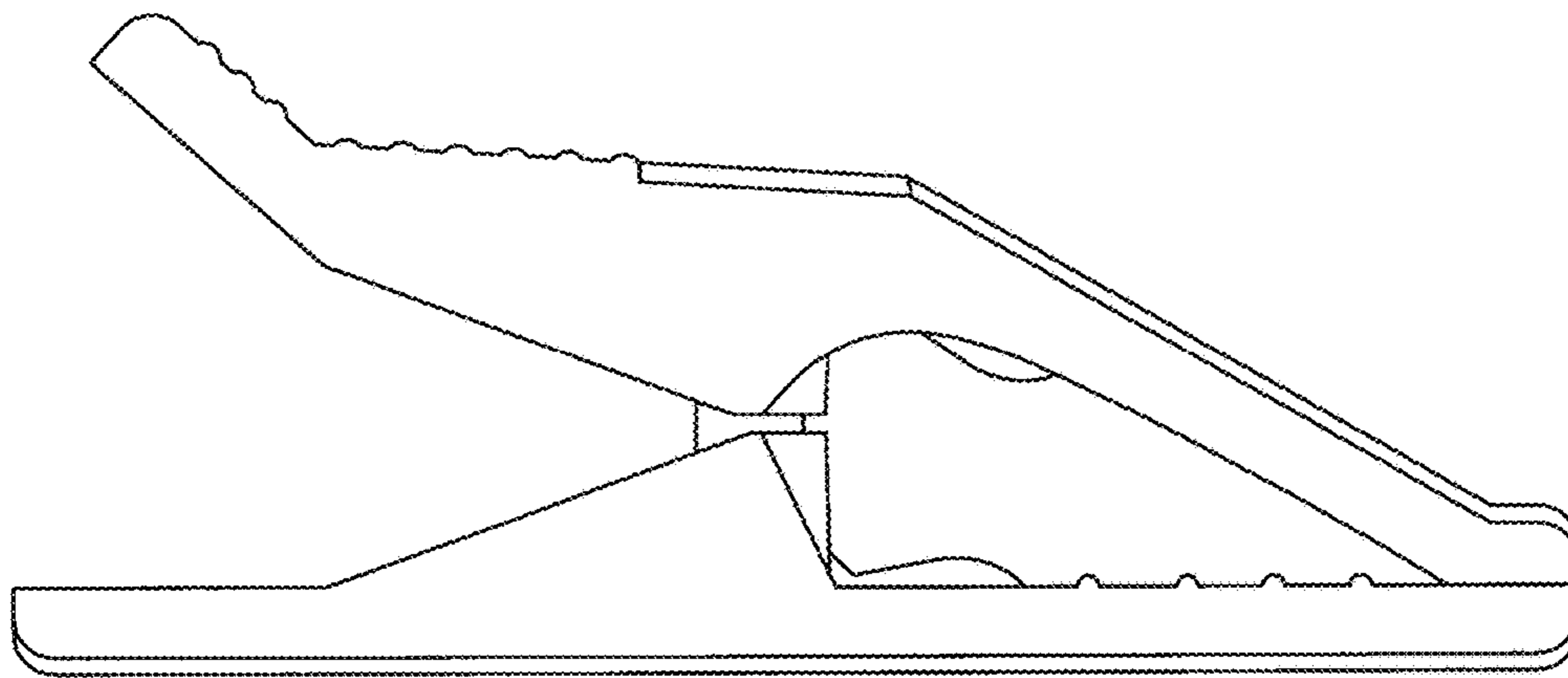


FIG.10