



US00D823101S

(12) **United States Design Patent** (10) **Patent No.:** **US D823,101 S**
Wassdahl (45) **Date of Patent:** **** Jul. 17, 2018**

- (54) **FASTENING DEVICE**
- (71) Applicant: **MAFI AB**, Mora (SE)
- (72) Inventor: **Jonas Wassdahl**, Mora (SE)
- (73) Assignee: **MAFI AB**, Mora (SE)
- (**) Term: **15 Years**
- (21) Appl. No.: **29/618,481**
- (22) Filed: **Sep. 21, 2017**
- (30) **Foreign Application Priority Data**
 - Jun. 21, 2017 (EM) 004060465
- (51) **LOC (11) Cl.** **08-08**
- (52) **U.S. Cl.**
USPC **D8/382**
- (58) **Field of Classification Search**
 - USPC D8/349, 350, 353, 354, 355, 356, 359, D8/366, 367, 373, 74, 381, 382, 383, D8/385; D13/154, 110, 133, 146, 147, D13/155, 150, 151, 153, 156, 184, 199; D23/254, 265, 266, 260-262; D11/200, D11/212; D12/180, 300, 317, 400
 - CPC B63C 1/00; B63C 11/00; B63C 13/00; B63C 21/00; F16G 11/00
- See application file for complete search history.

- (56) **References Cited**
 - U.S. PATENT DOCUMENTS
 - 2,905,993 A * 9/1959 Wernsing B66C 1/14 294/82.14
 - D248,873 S * 8/1978 Raitto D24/130
 - D284,265 S * 6/1986 Resan D23/260
 - D297,662 S * 9/1988 Jans D23/254
 - D309,857 S * 8/1990 Fenton D8/367
 - RE33,611 E * 6/1991 Michaels H01R 9/0527 439/462
 - D347,467 S * 5/1994 Medvick D23/262

- D347,894 S * 6/1994 Hansen D24/114
- D363,778 S * 10/1995 Cane D24/129
- D367,468 S * 2/1996 Nakamura D13/154
- D368,304 S * 3/1996 Morrison D23/262
- D486,224 S * 2/2004 Gay, III D24/109
- D533,899 S * 12/2006 Ohashi D18/56
- D538,727 S * 3/2007 Wright D12/207
- D594,735 S * 6/2009 Hofer D8/349
- D616,966 S * 6/2010 Angell D23/262
- D623,045 S * 9/2010 Moncade D8/354
- D623,049 S * 9/2010 Zeyfang D8/397
- D625,170 S * 10/2010 McGrath D8/355
- D628,056 S * 11/2010 Busch D8/385
- D642,548 S * 8/2011 Bowen, III D13/183
- D688,796 S * 8/2013 Niunoya D24/127
- D703,519 S * 4/2014 Senseney D8/382
- D707,534 S * 6/2014 Crouse D8/356
- D709,643 S * 7/2014 Kohler D26/138
- D713,705 S * 9/2014 Mina D8/397
- D717,948 S * 11/2014 Strong D24/130

(Continued)

Primary Examiner — David Muller
Assistant Examiner — Nathan Johnston
(74) *Attorney, Agent, or Firm* — Nixon & Vanderhye P.C.

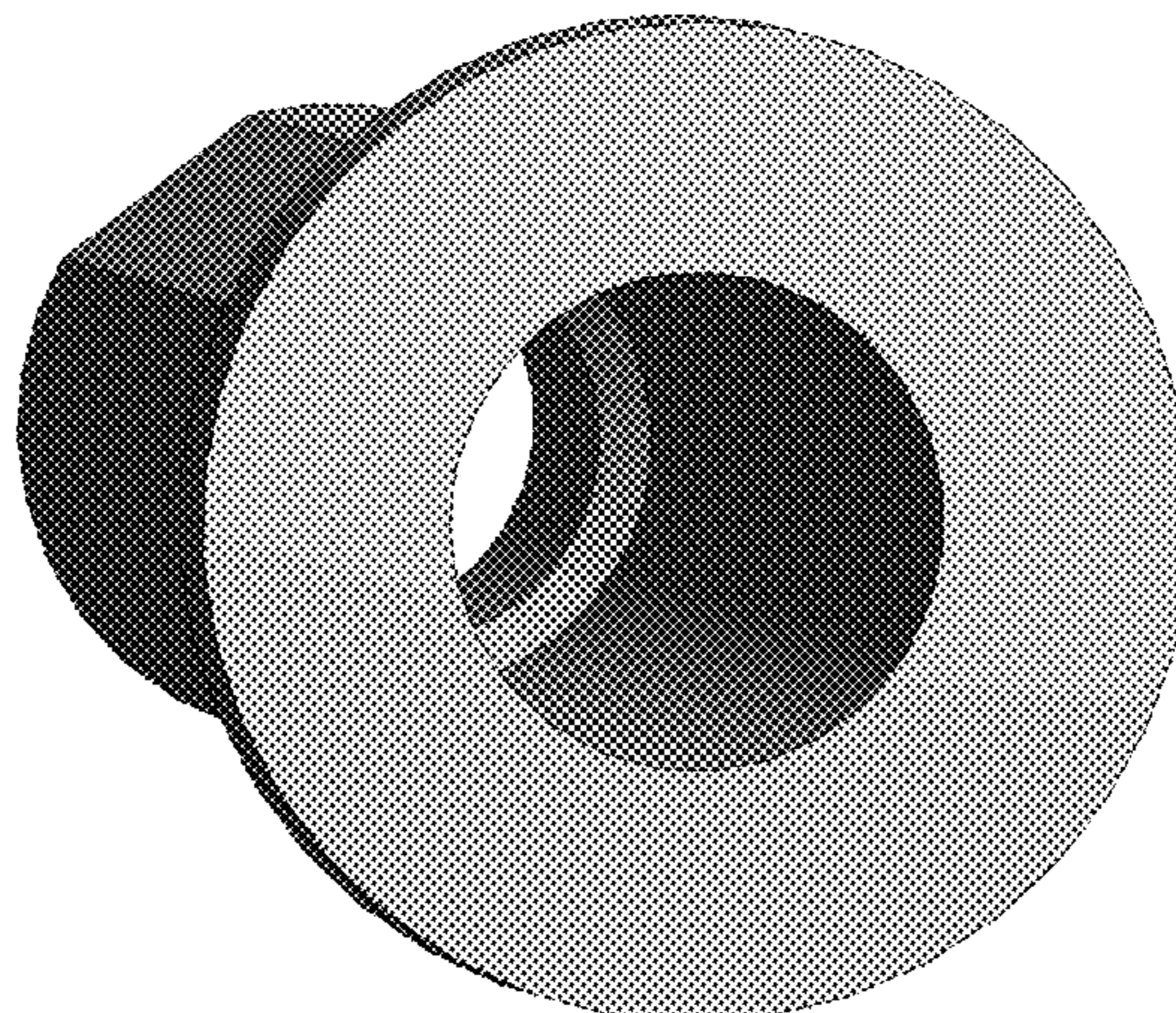
(57) **CLAIM**

The ornamental design for a fastening device, as shown and described.

DESCRIPTION

FIG. 1 is a first perspective view of a fastening device showing my new design;
FIG. 2 is a second perspective view thereof;
FIG. 3 is a top plan view thereof;
FIG. 4 is a third perspective view thereof;
FIG. 5 is a fourth perspective view thereof;
FIG. 6 is a bottom plan view thereof; and,
FIG. 7 is a side view thereof, the opposite side being identical.

1 Claim, 7 Drawing Sheets



(56)

References Cited

U.S. PATENT DOCUMENTS

D722,486	S	*	2/2015	Wang	D8/355
D736,315	S	*	8/2015	Jour	D19/86
D752,963	S	*	4/2016	Kaupp	D8/385
D783,784	S	*	4/2017	Bates-Hurtado	D23/266
D789,187	S	*	6/2017	Vitou	D8/382
D798,826	S	*	10/2017	Karlsson	D13/156
D799,939	S	*	10/2017	Lowitz	D8/354
D801,792	S	*	11/2017	Hunt	D8/376
D806,520	S	*	1/2018	Krombein	D8/354
D807,727	S	*	1/2018	Krombein	D8/354
D814,913	S	*	4/2018	Baiz	D8/387
2010/0291802	A1	*	11/2010	Sawai	H01R 13/5224 439/660

* cited by examiner

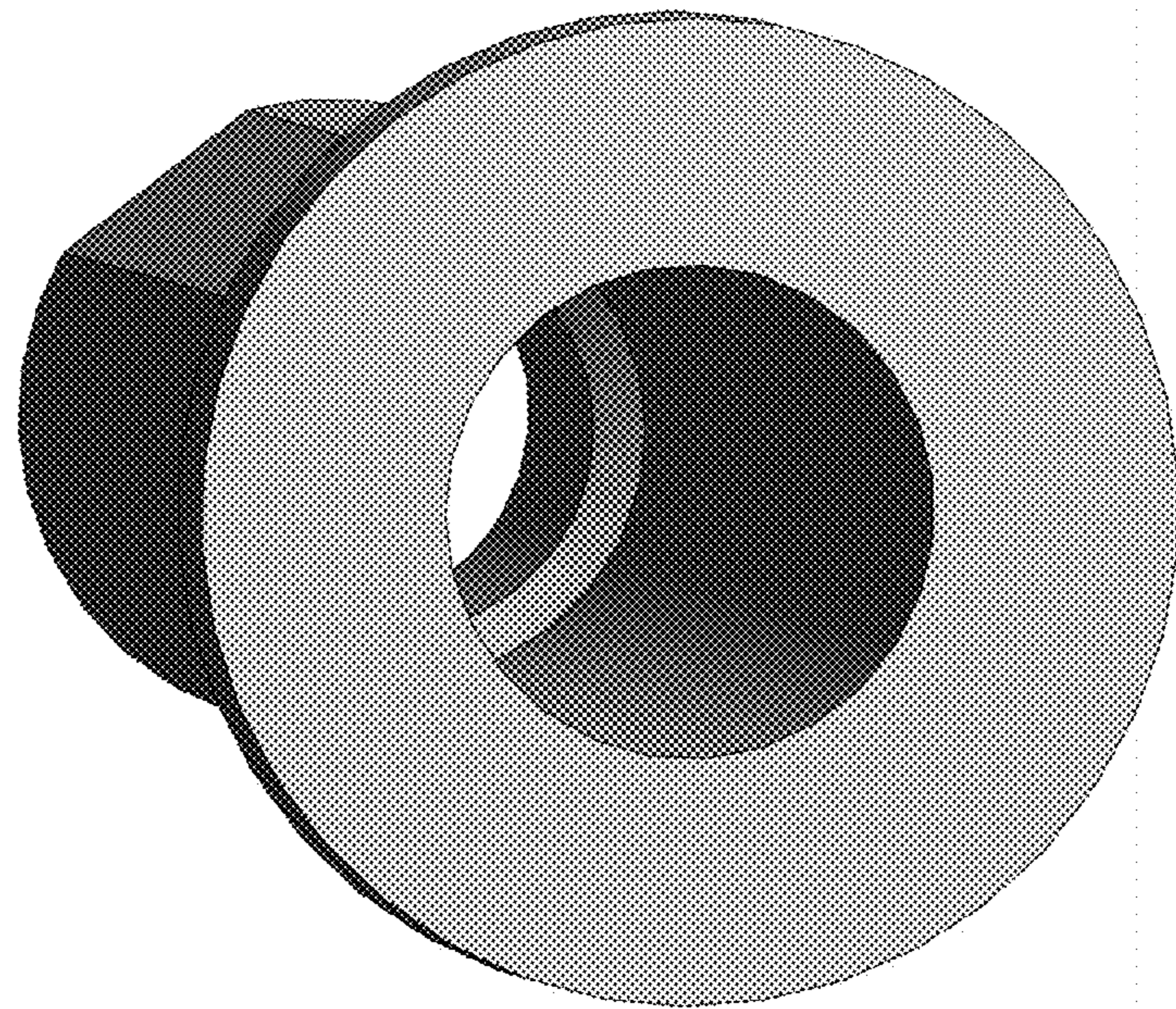


Fig. 1

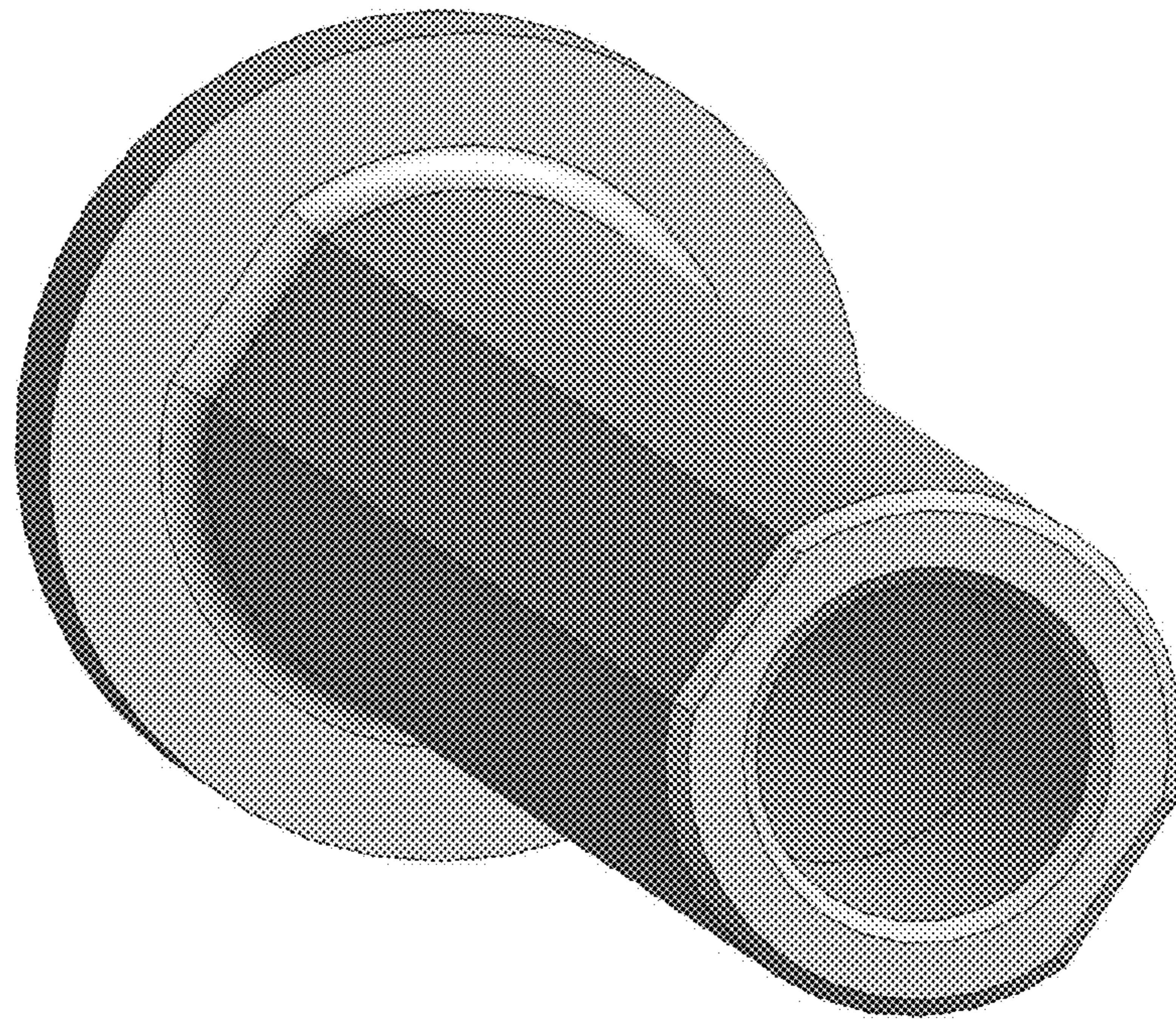


Fig. 2

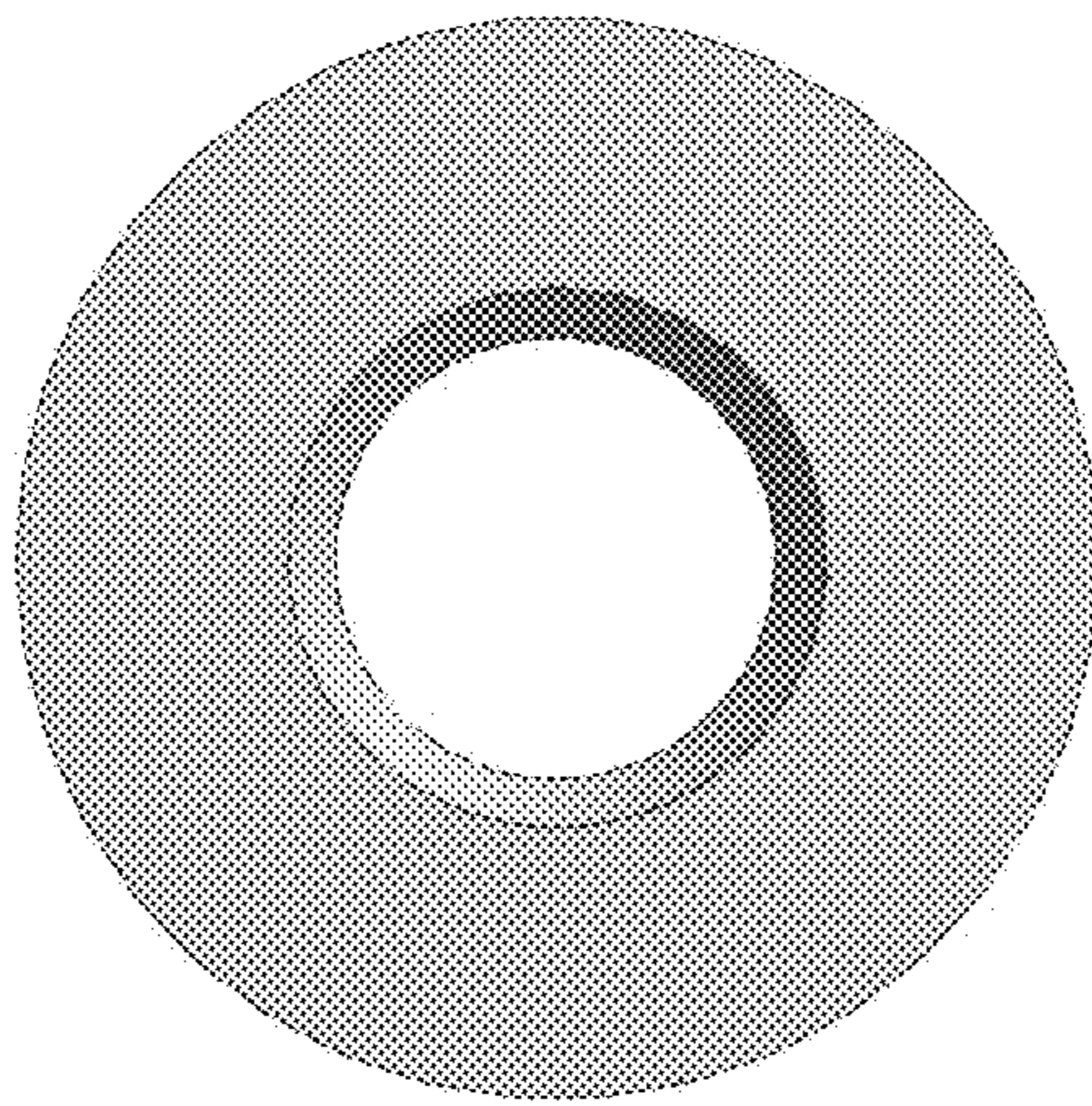


Fig. 3



Fig. 4

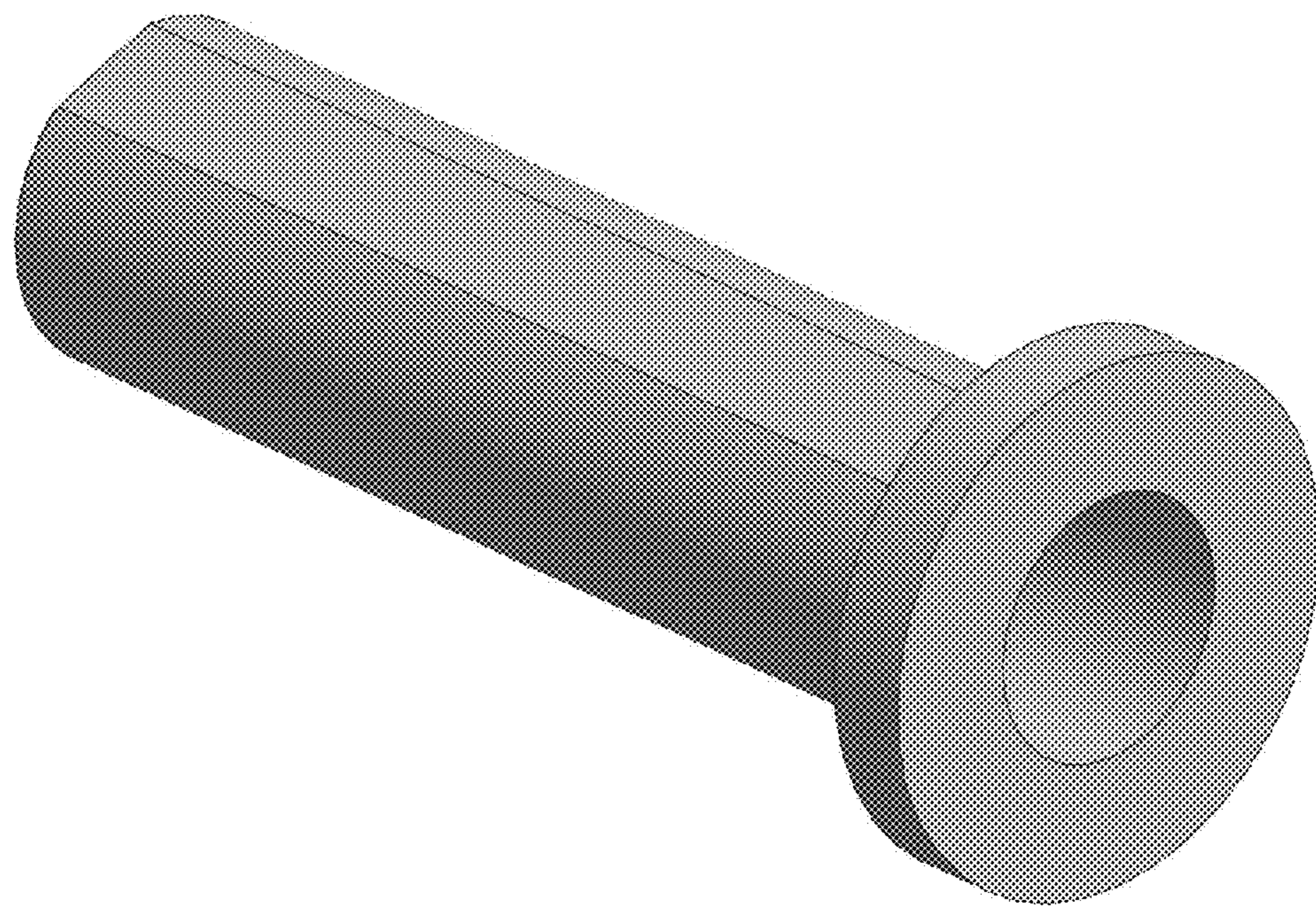


Fig. 5

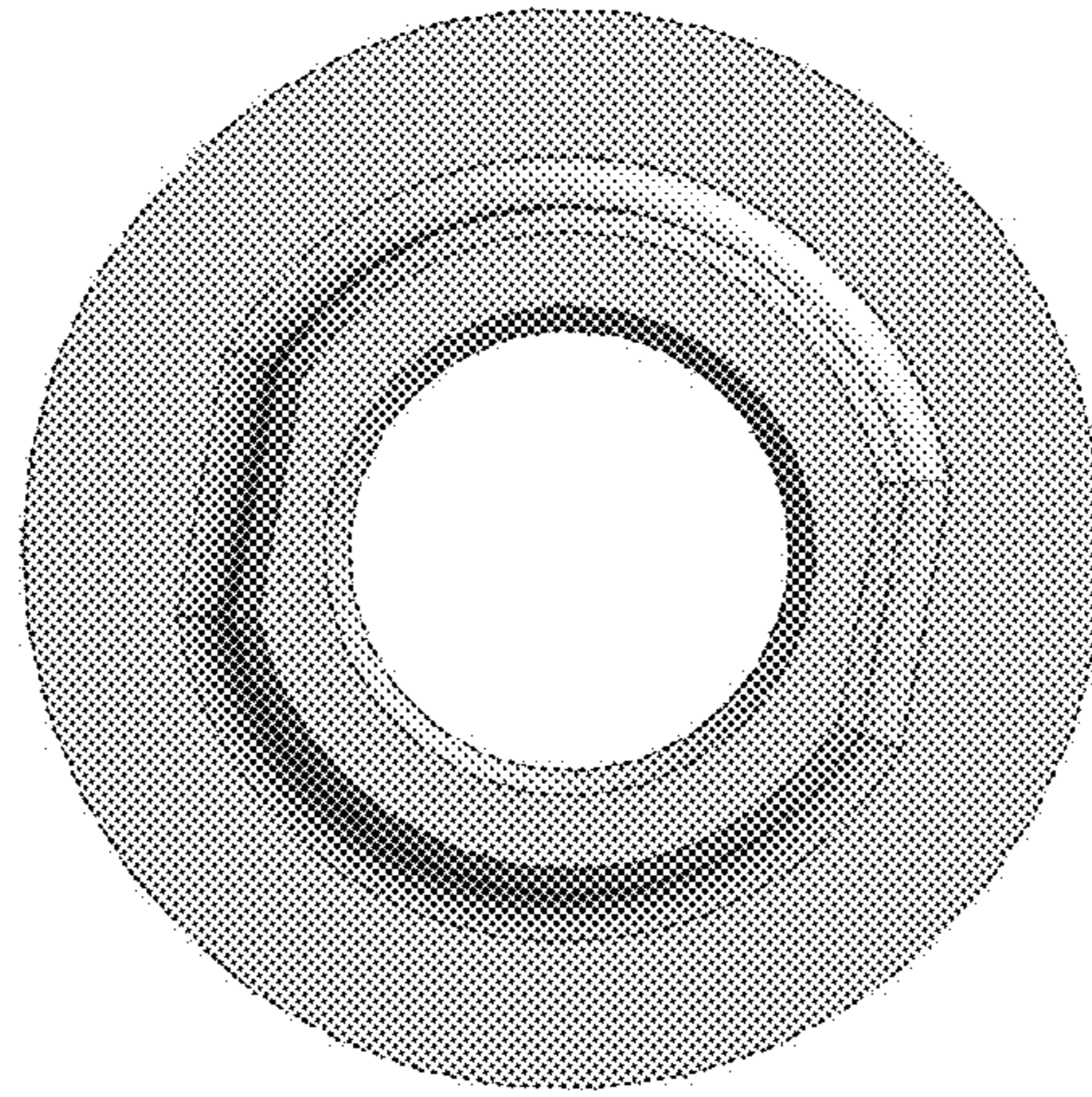


Fig. 6

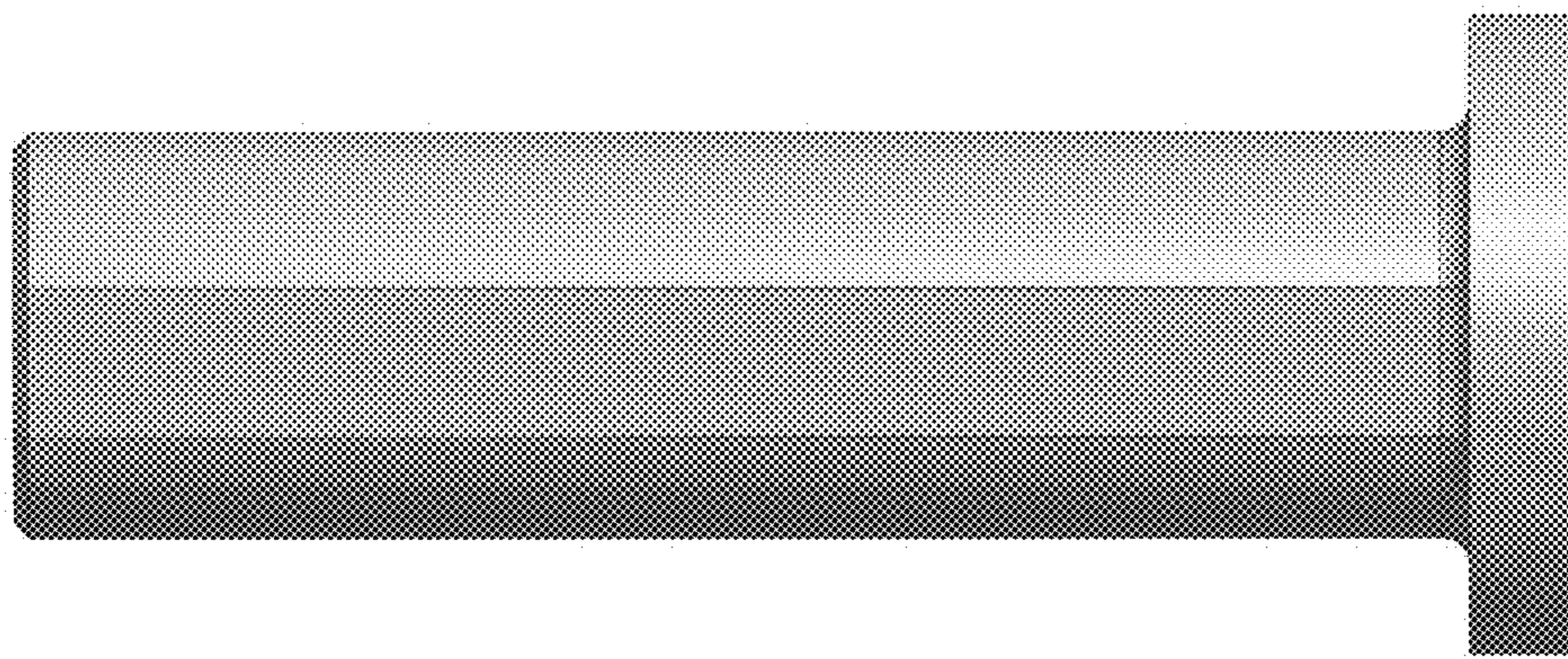


Fig. 7