



US00D823098S

(12) **United States Design Patent**
Aubin

(10) **Patent No.:** **US D823,098 S**

(45) **Date of Patent:** **** Jul. 17, 2018**

(54) **CASTER TOE GUARD**

(71) Applicant: **Philip A. Aubin**, Tracy, CA (US)

(72) Inventor: **Philip A. Aubin**, Tracy, CA (US)

(**) Term: **15 Years**

(21) Appl. No.: **29/566,682**

(22) Filed: **Jun. 1, 2016**

(51) **LOC (11) Cl.** **08-05**

(52) **U.S. Cl.**
USPC **D8/375**

(58) **Field of Classification Search**
USPC D8/16, 19, 372, 383, 363, 366, 356, 300,
D8/313, 314, 394, 370, 375, 377;
D6/406.2; D12/19; D24/183; 16/35 R;
D3/273, 276, 279, 315, 902; D34/18
CPC .. A61G 7/1046; A63C 17/033; B60B 33/049;
B60B 33/042; B60B 33/068; Y10T 16/18;
Y10T 16/195; Y10T 16/193

See application file for complete search history.

(56) **References Cited**

U.S. PATENT DOCUMENTS

4,349,937	A *	9/1982	Fontana	B60B 33/0078 16/35 R
D347,162	S *	5/1994	Simonsen	D8/375
5,873,144	A *	2/1999	Tupper	B60B 7/02 16/18 CG
D457,810	S *	5/2002	Chi	D8/375
D469,002	S *	1/2003	McCord	D8/374
D515,913	S *	2/2006	Guttman	D8/375
D576,868	S *	9/2008	Minamiura	D8/375
8,904,597	B2 *	12/2014	Long	B60B 33/0015 16/18 CG

D725,459	S *	3/2015	Schulz	D8/375
D733,541	S *	7/2015	Fan	D8/375
9,108,462	B1 *	8/2015	Stone	B60B 33/0023
D744,712	S *	12/2015	Polidoros	D34/12
D746,408	S *	12/2015	Benson	D15/13
9,428,009	B2 *	8/2016	Sharratt	B60B 33/0028
D778,146	S *	2/2017	Kausemann	D8/375
9,566,926	B1 *	2/2017	Dubas	B60R 19/54
2013/0097808	A1 *	4/2013	Long	B60B 33/0015 16/18 CG
2017/0015140	A1 *	1/2017	Sekine	B60B 33/0042

* cited by examiner

Primary Examiner — Ian Simmons

Assistant Examiner — Yolanda Robinson

(74) *Attorney, Agent, or Firm* — Howard Cohen

(57) **CLAIM**

The ornamental design for a caster toe guard, as shown and described.

DESCRIPTION

FIG. 1 is a perspective view of the caster toe guard in an environment of use;

FIG. 2 is a perspective view of the caster toe guard;

FIG. 3 is a front view thereof, of that shown in FIG. 1;

FIG. 4 is a right side view thereof, the opposite side being a mirror image;

FIG. 5 is a rear view thereof;

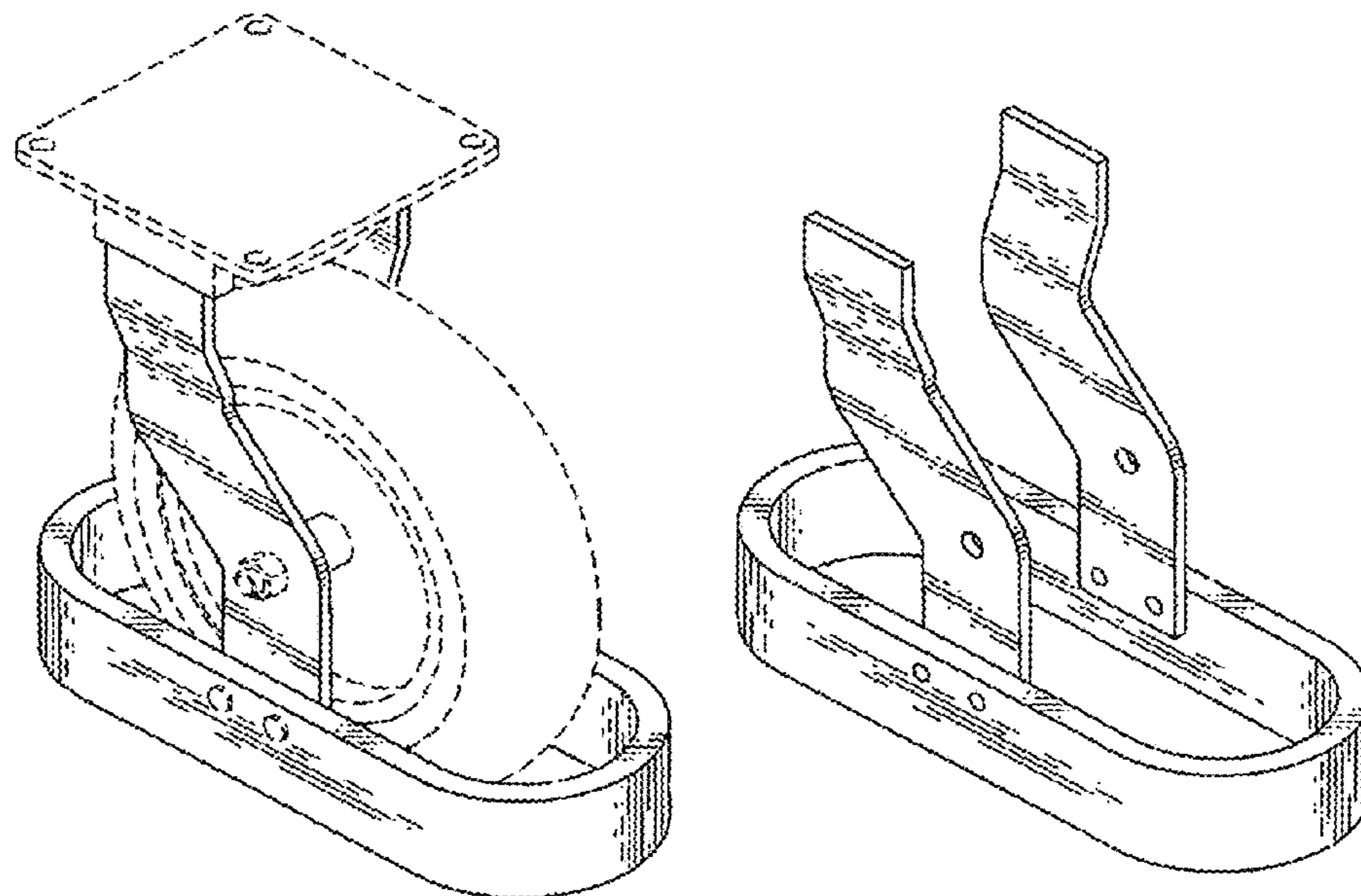
FIG. 6 is a top plan view thereof;

FIG. 7 is a bottom plan view thereof; and,

FIG. 8 is a bottom plan view thereof, of that shown in FIG. 2.

The broken lines shown represent unclaimed subject matter and form no part of the claimed design.

1 Claim, 2 Drawing Sheets



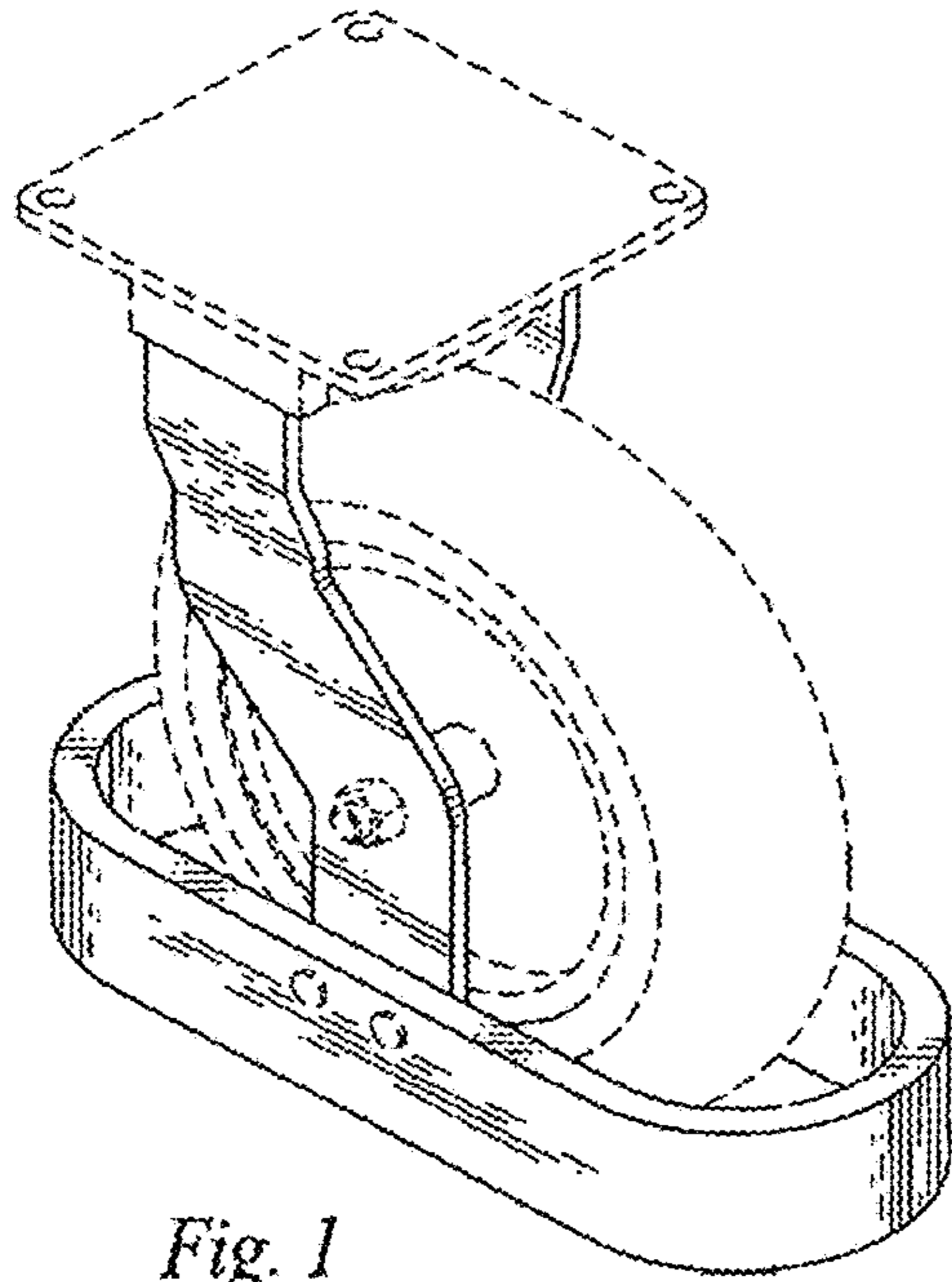


Fig. 1

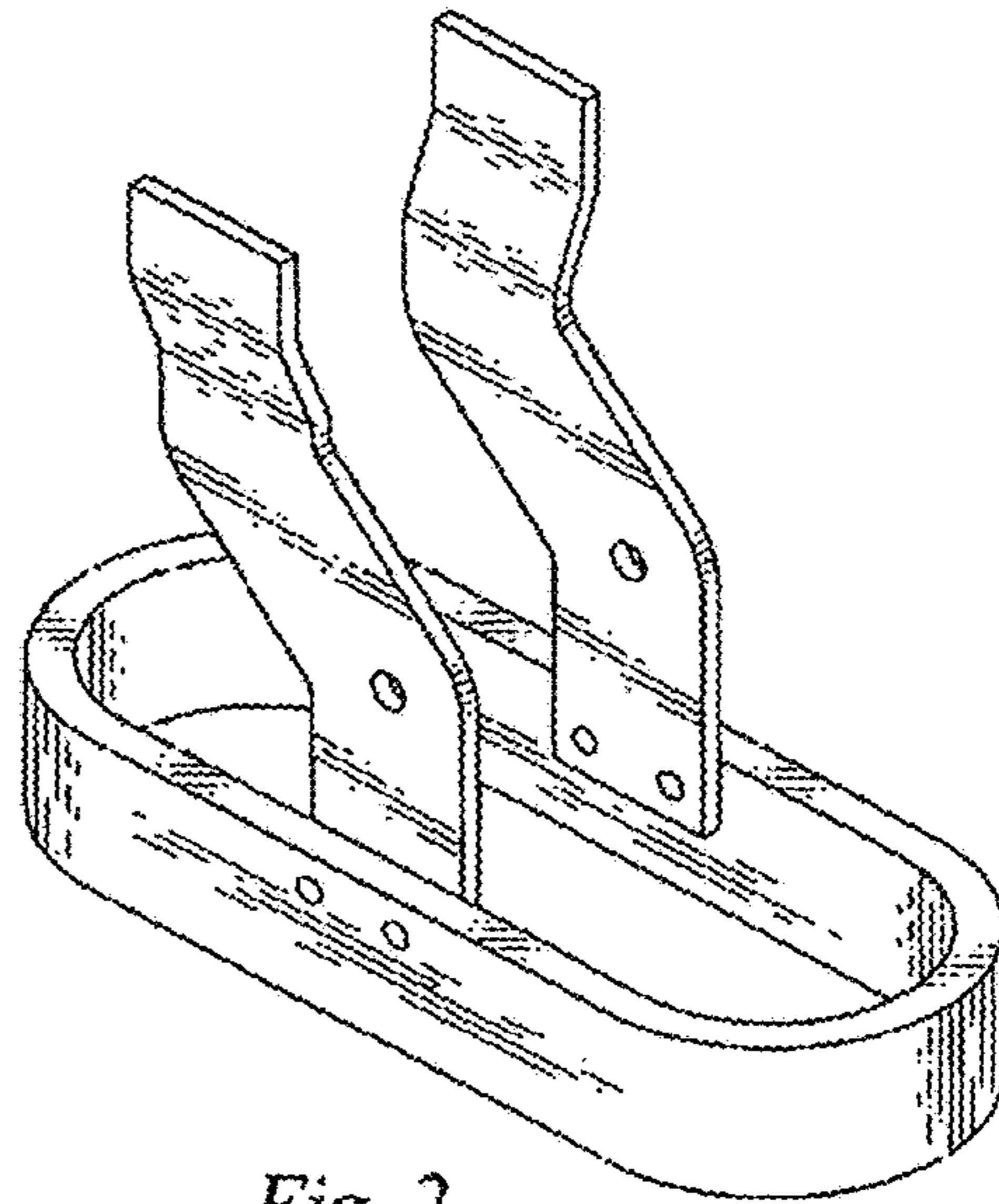


Fig. 2

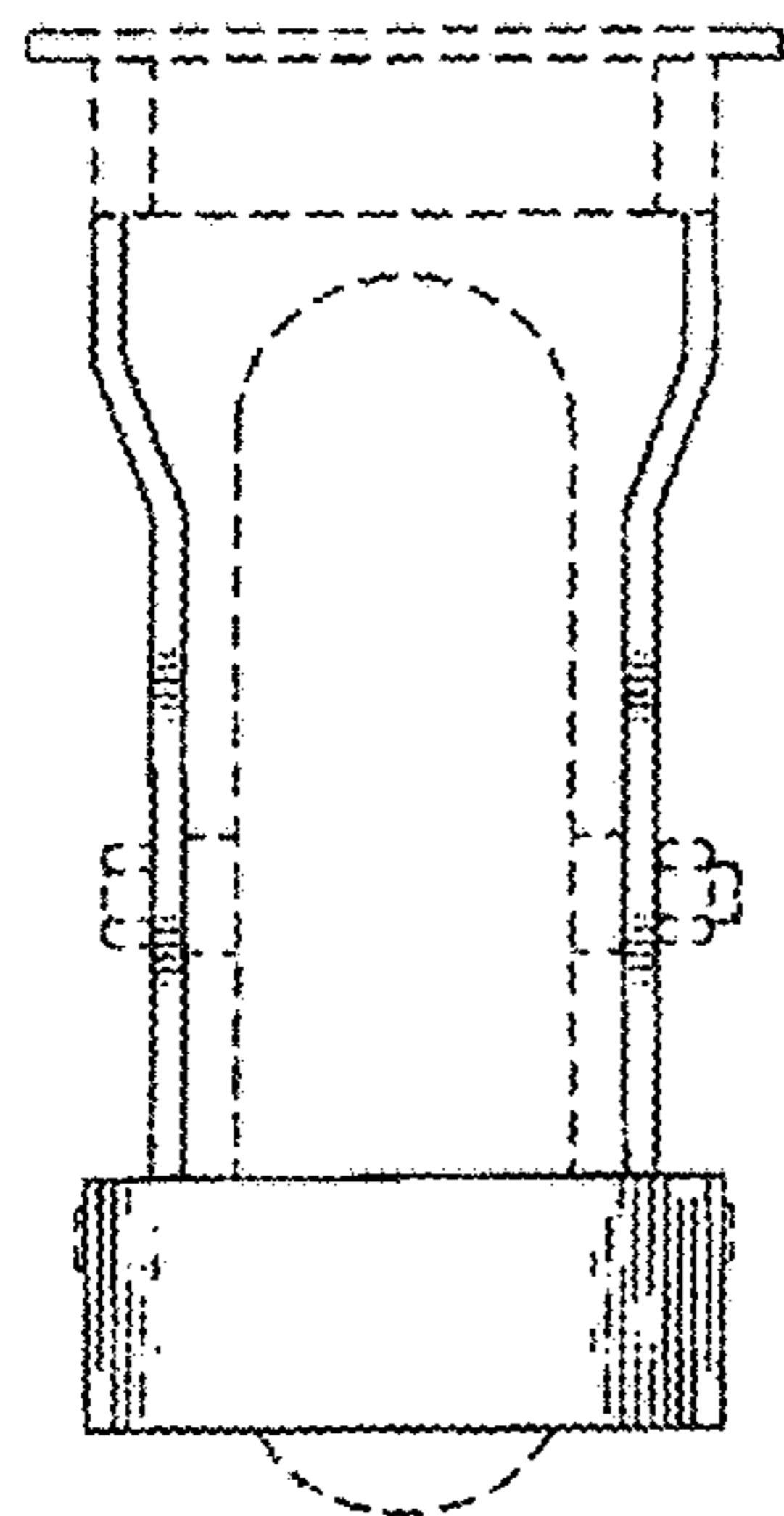


Fig. 3

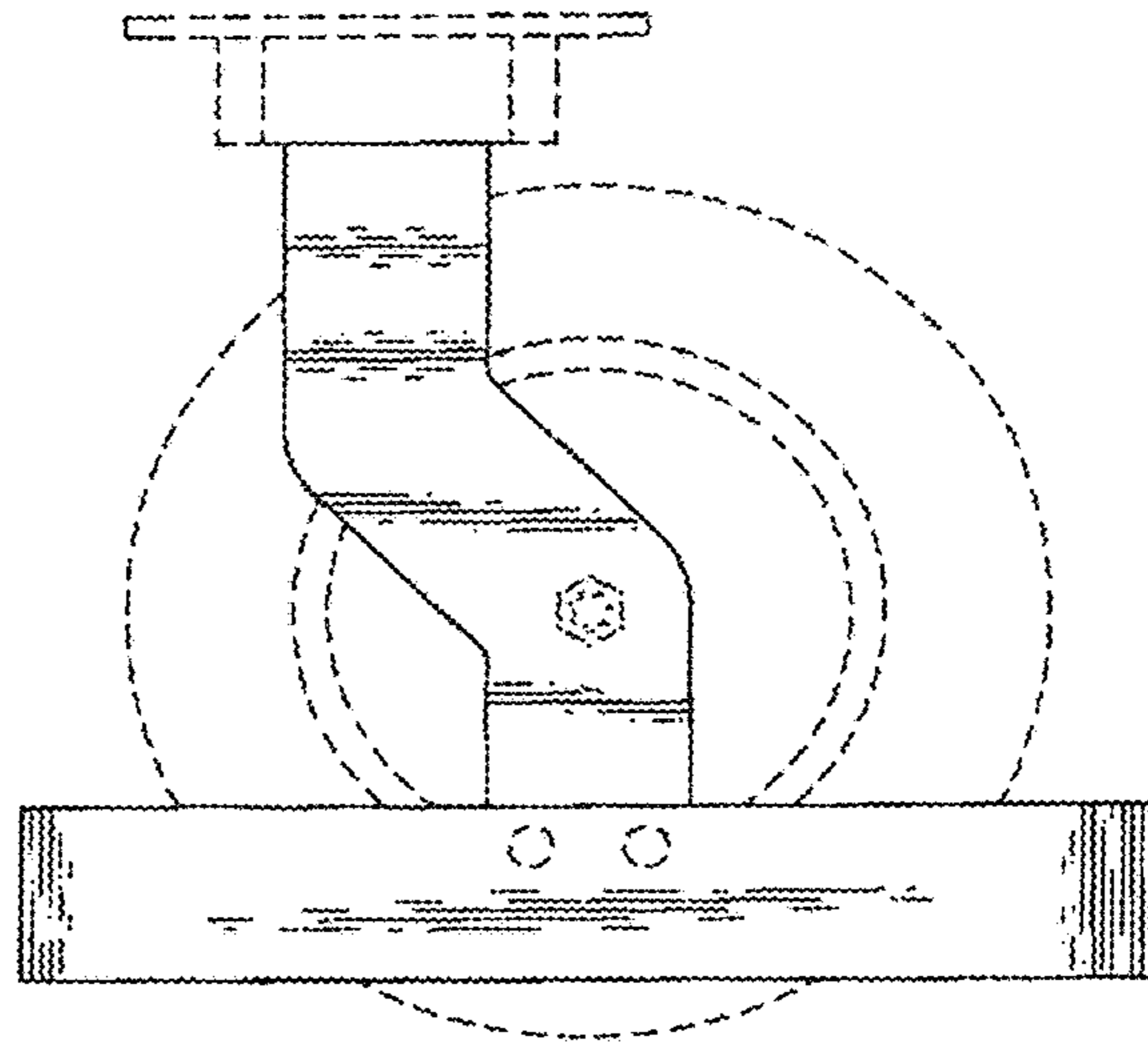


Fig. 4

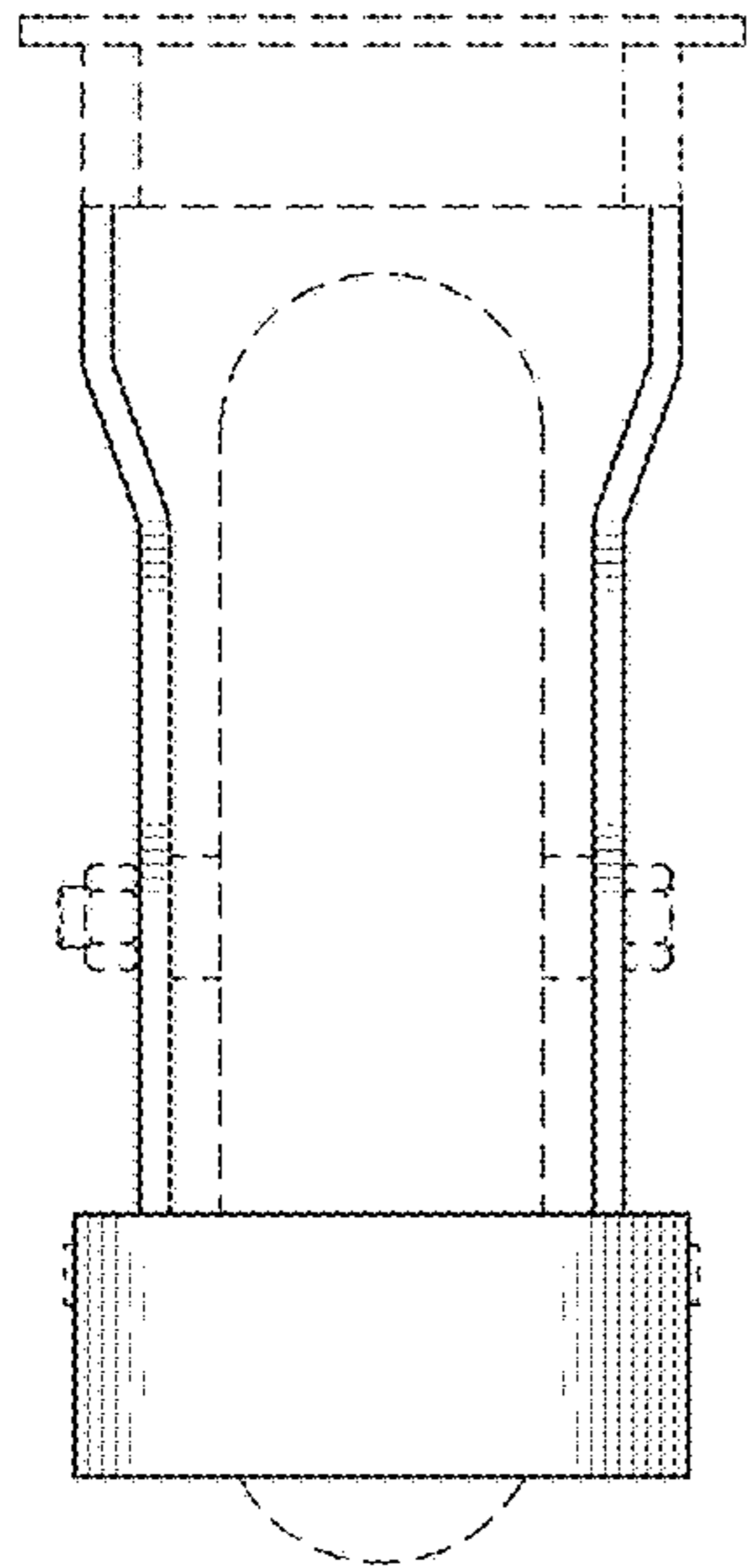


Fig. 5

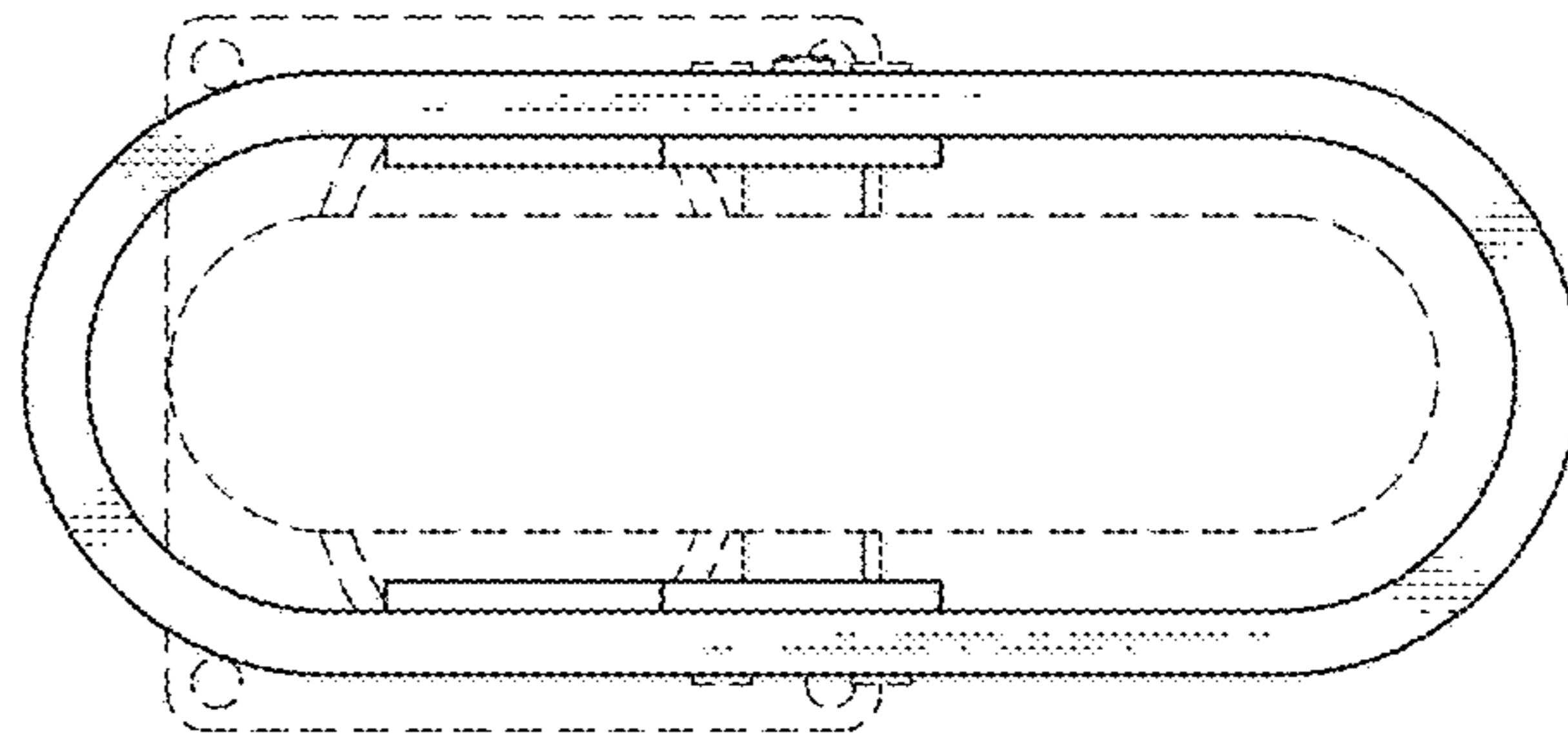


Fig. 6

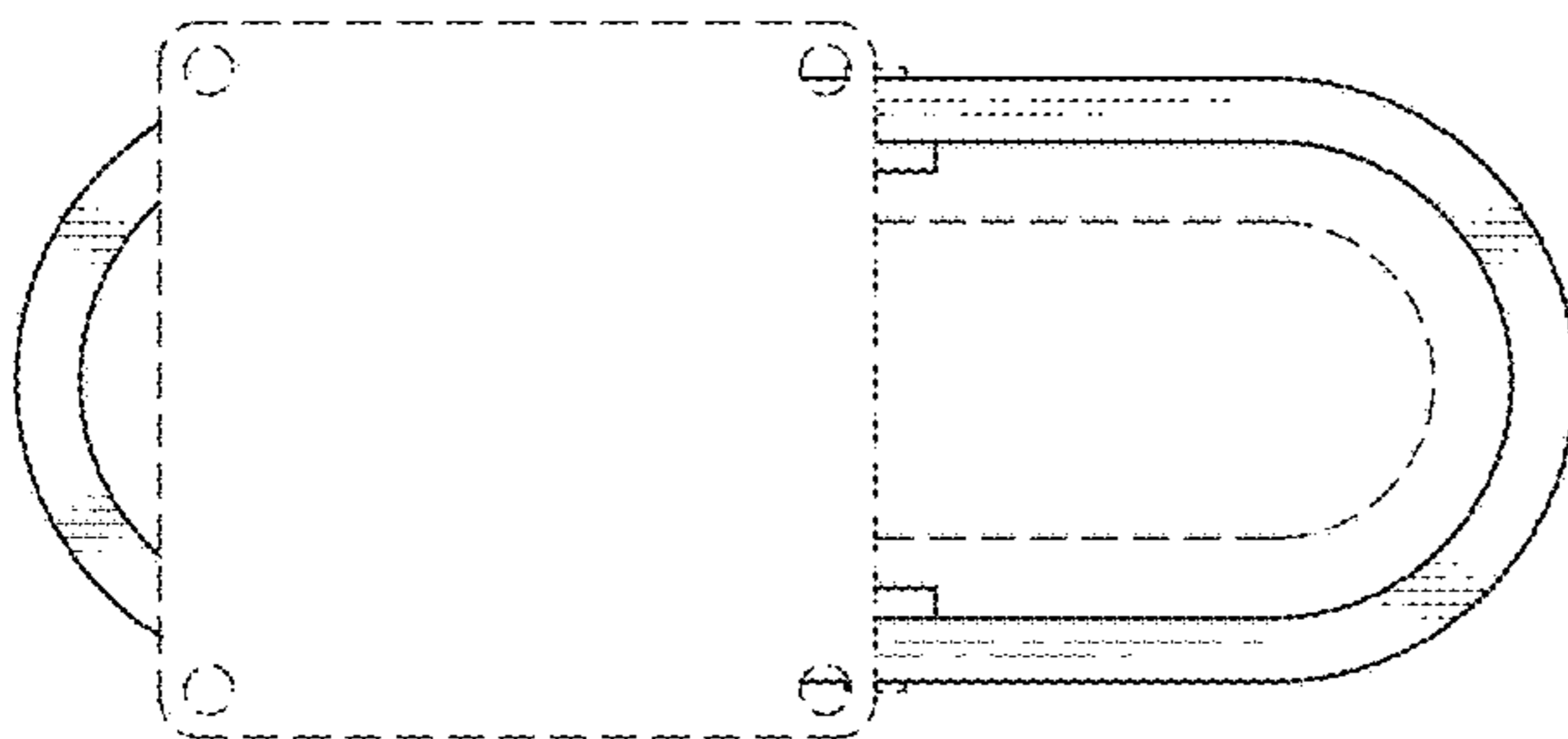


Fig. 7

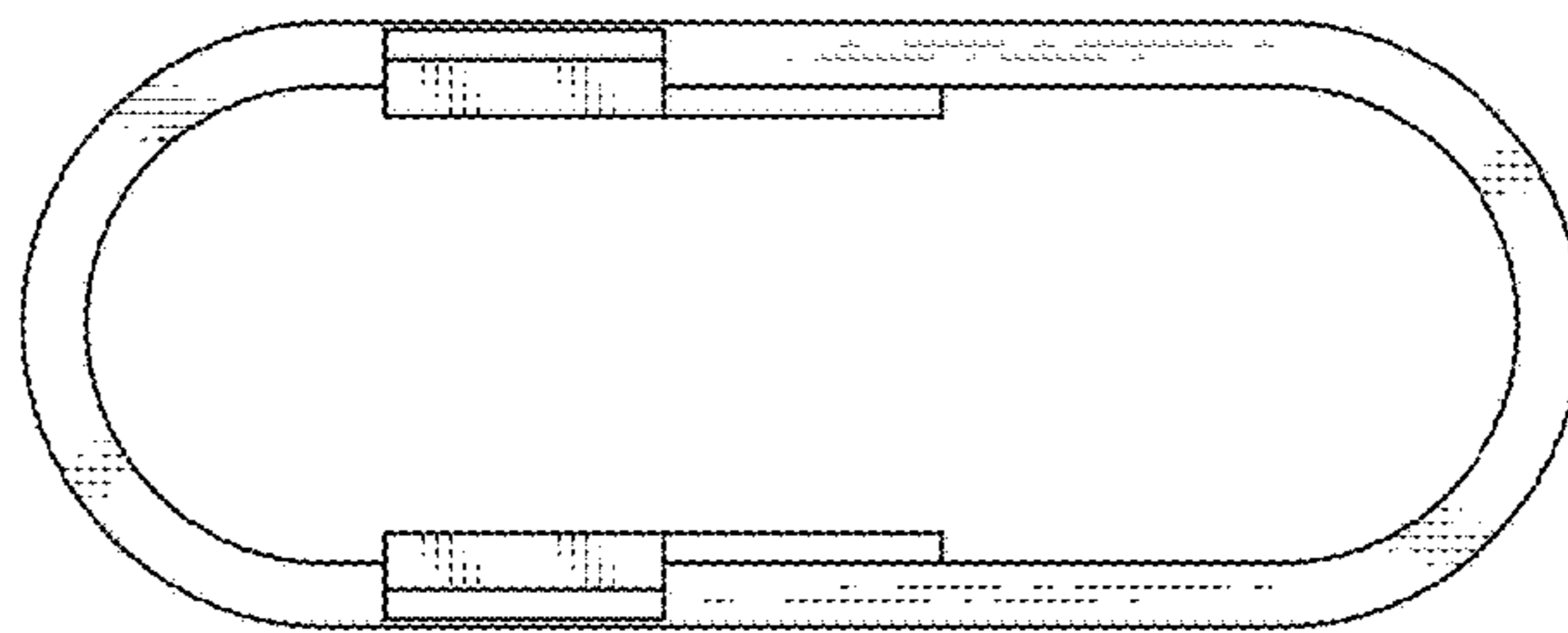


Fig. 8