



US00D823097S

(12) **United States Design Patent** (10) **Patent No.:** **US D823,097 S**
Goskowski et al. (45) **Date of Patent:** **** Jul. 17, 2018**

- (54) **BUCKLE FOR A SHOWER CURTAIN**
- (71) Applicant: **M.G. Manufacturing Company, Inc.**,
Forest City, PA (US)
- (72) Inventors: **M. Karen Goskowski**, Clifford
Township, PA (US); **Paul E. Carlson**,
Skaneateles, NY (US); **Deborah A.
Laun**, Syracuse, NY (US)
- (73) Assignee: **M.G. Manufacturing Company, Inc.**,
Forest City, PA (US)
- (**) Term: **15 Years**
- (21) Appl. No.: **29/617,926**
- (22) Filed: **Sep. 18, 2017**
- (51) **LOC (11) Cl.** **08-05**
- (52) **U.S. Cl.**
USPC **D8/367**
- (58) **Field of Classification Search**
USPC D8/349, 354, 367
CPC A41F 9/007; A47G 25/065; A47G 25/06;
B60N 3/005; B60R 7/10; F16B 1/00;
F16L 3/13; F16L 3/26
See application file for complete search history.

- (56) **References Cited**
U.S. PATENT DOCUMENTS
- 2,831,538 A * 4/1958 Lishman A47H 13/02
160/330
- 4,760,624 A * 8/1988 Fish B25B 9/00
24/30.5 S
- D465,188 S * 11/2002 McCoy D12/223
- D551,950 S * 10/2007 Davenport D8/367
- 7,788,733 B1 * 9/2010 Zahner A47K 10/02
2/158
- D664,423 S * 7/2012 Cittadino D8/367
- D664,424 S * 7/2012 Cittadino D8/367
- D668,091 S * 10/2012 Zahner D6/580
- D668,941 S * 10/2012 Taurins D8/367

- D699,147 S * 2/2014 Fissell D11/95
 - 9,080,715 B2 * 7/2015 Biddle F16M 13/022
 - 9,107,544 B2 * 8/2015 Cittadino A47H 13/02
 - D740,646 S * 10/2015 Sargent D8/367
 - D744,598 S * 12/2015 Hollywood D21/484
 - D746,078 S 12/2015 Zahner
 - D761,639 S 7/2016 Hsu
 - 2004/0031576 A1 * 2/2004 Zahner A47H 7/02
160/330
 - 2008/0072403 A1 * 3/2008 Peck B42F 1/02
24/67.9
 - 2008/0178423 A1 * 7/2008 Patel A47H 13/00
16/87.2
 - 2009/0236843 A1 * 9/2009 Rowe B42F 11/00
281/27.2
 - 2017/0049275 A1 * 2/2017 Hsu A47K 3/38
 - 2017/0251652 A1 * 9/2017 Novak A01K 91/053
- (Continued)

Primary Examiner — Cynthia R Underwood
(74) *Attorney, Agent, or Firm* — Bernhard P. Molldrem, Jr.

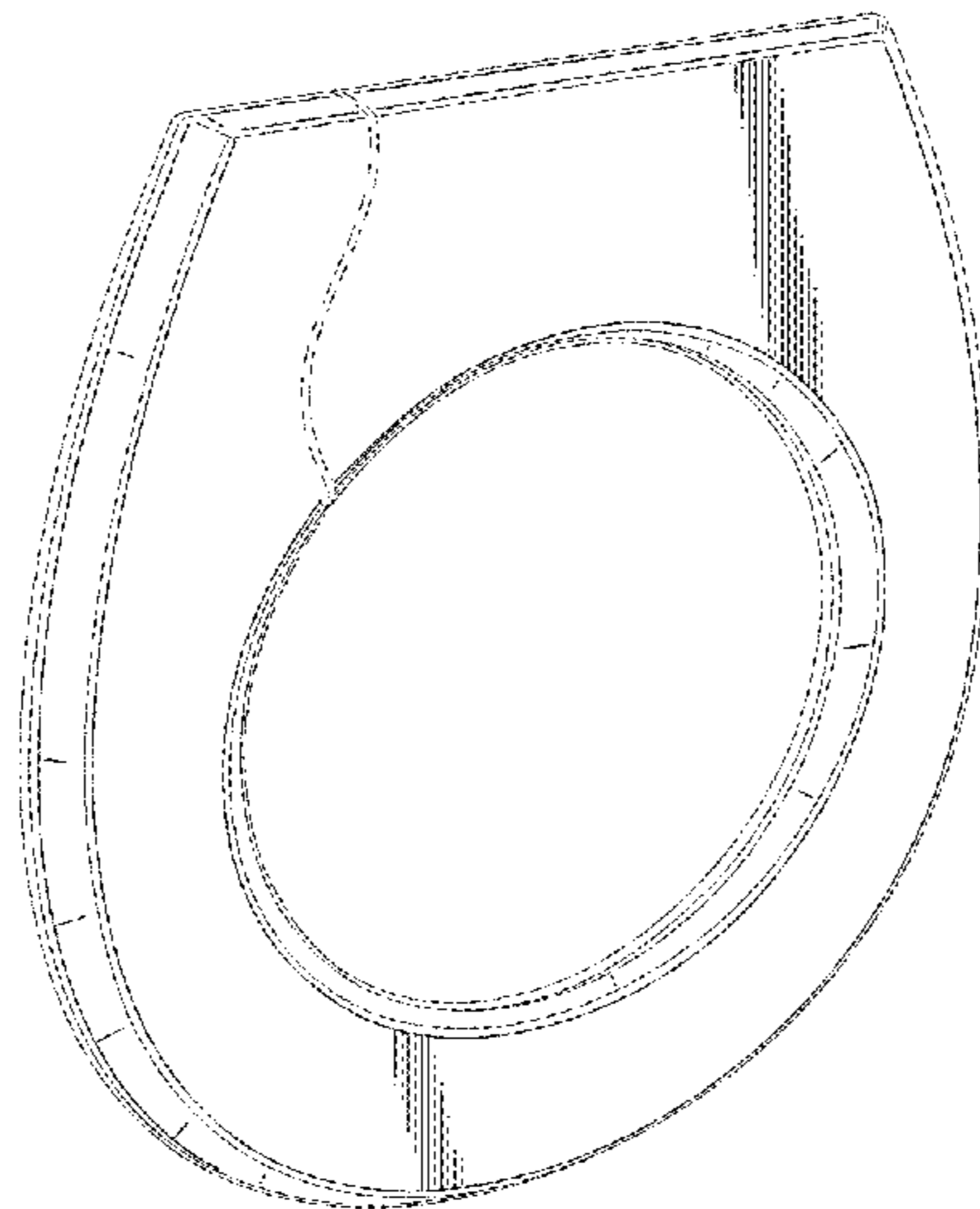
(57) **CLAIM**

The ornamental design for a buckle for a shower curtain, as shown and described.

DESCRIPTION

FIG. 1 is a front elevation of a shower curtain buckle, showing my new design.
FIG. 2 is a rear elevation thereof.
FIG. 3 is a top view thereof.
FIG. 4 is a bottom view thereof.
FIG. 5 is a right side elevation thereof.
FIG. 6 is a left side elevation thereof.
FIG. 7 is a lower left perspective thereof.
FIG. 8 is an upper left perspective thereof; and,
FIG. 9 is a front environmental view showing the position of the buckle on a shower curtain.
The slit, the rivets, and the shower curtain, each shown in broken lines, do not form any part of the claim.

1 Claim, 3 Drawing Sheets



(56)

References Cited

U.S. PATENT DOCUMENTS

2017/0273494 A1* 9/2017 Xu A47K 3/38
2018/0020861 A1* 1/2018 Beyda A47H 13/02

* cited by examiner

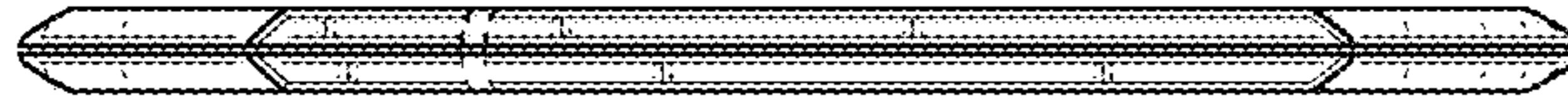


FIG.3

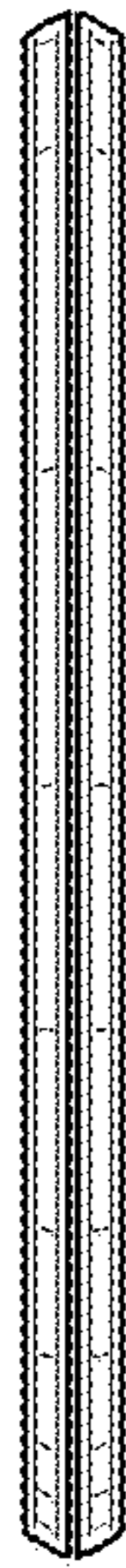


FIG.5

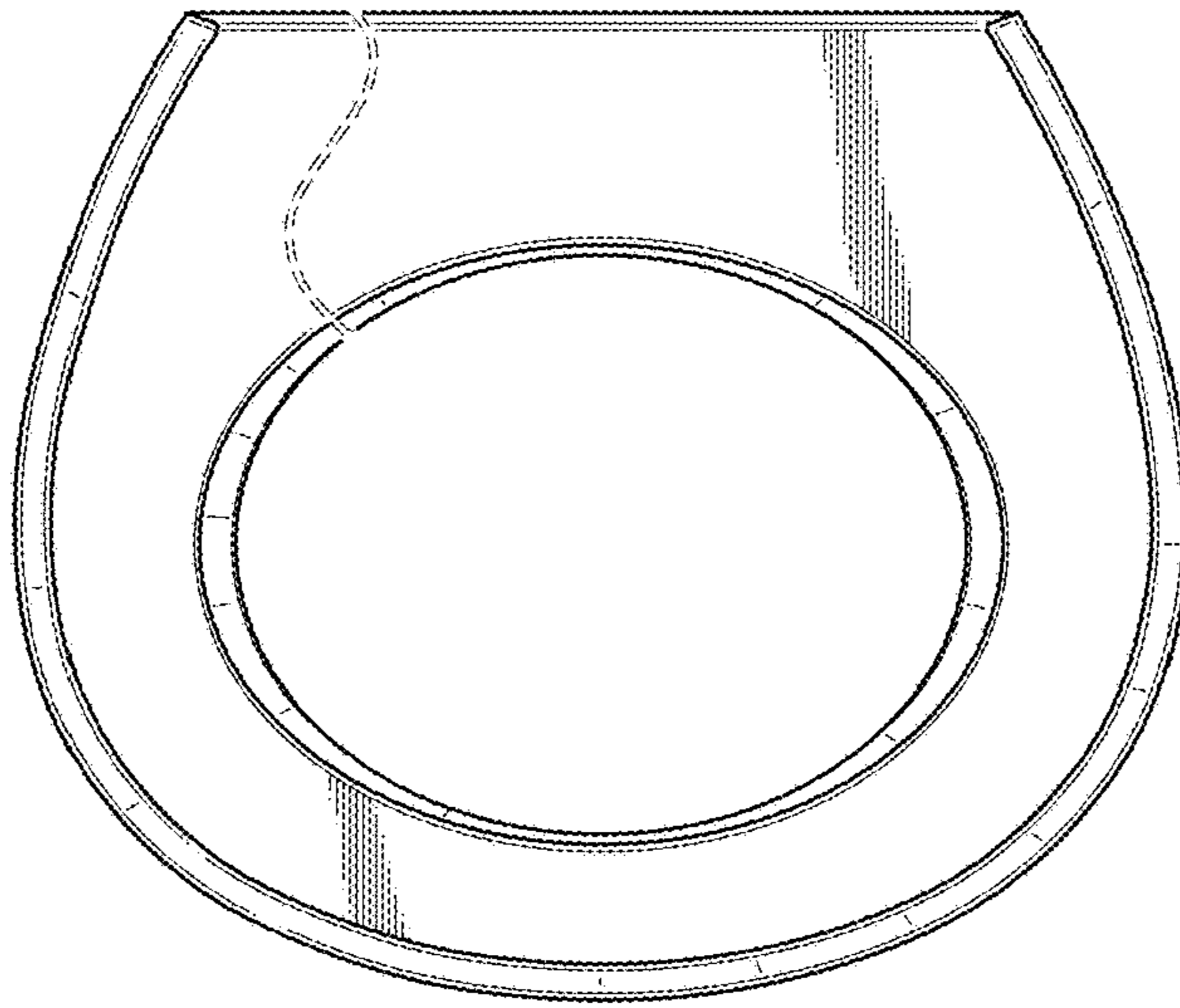


FIG.1



FIG.6

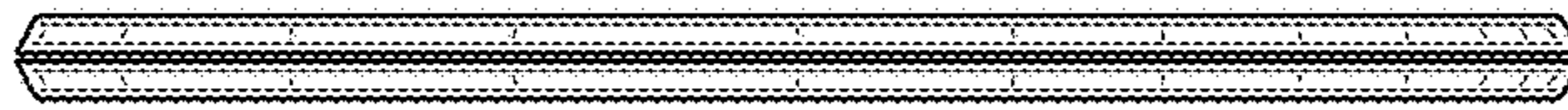


FIG.4

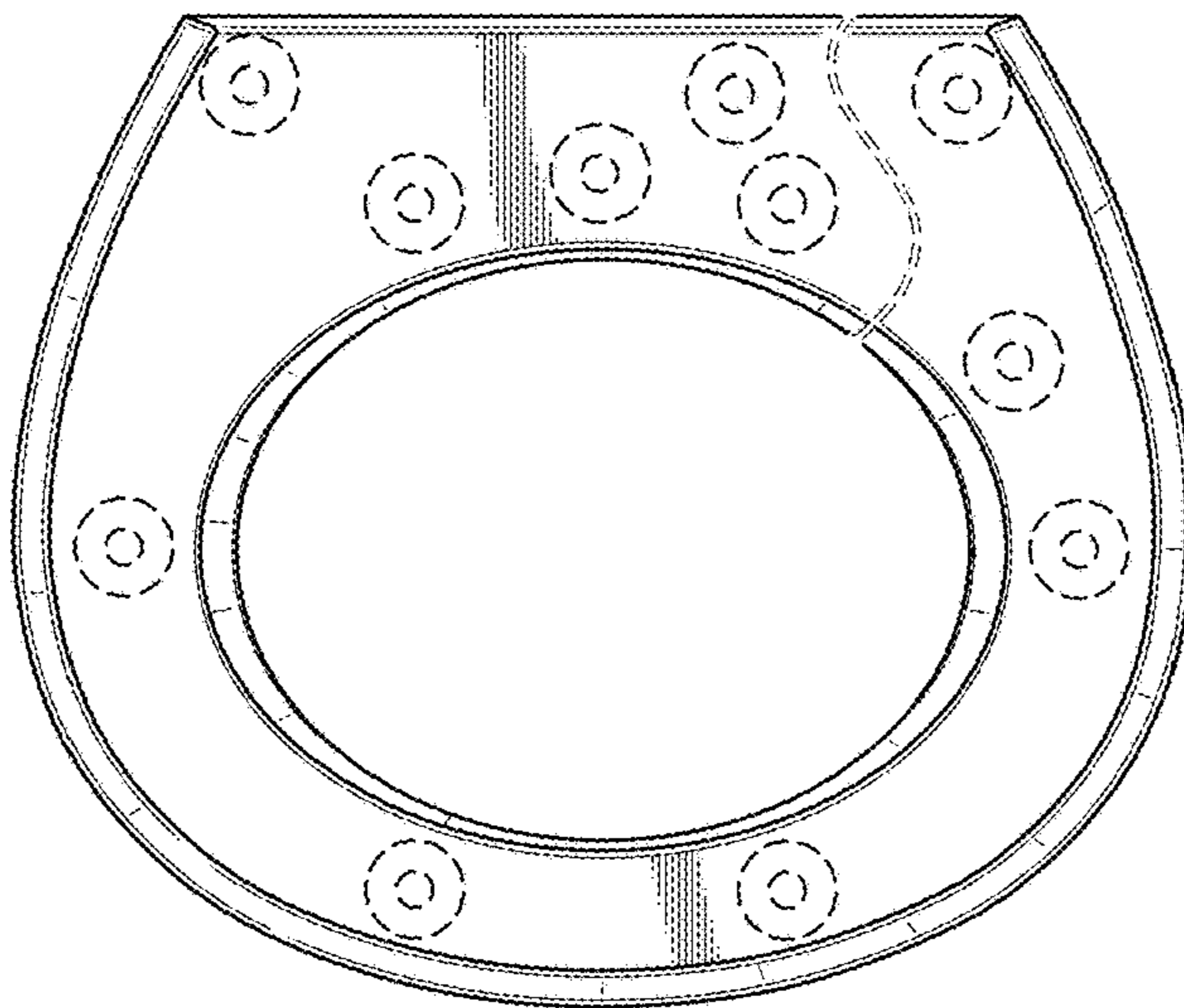


FIG.2

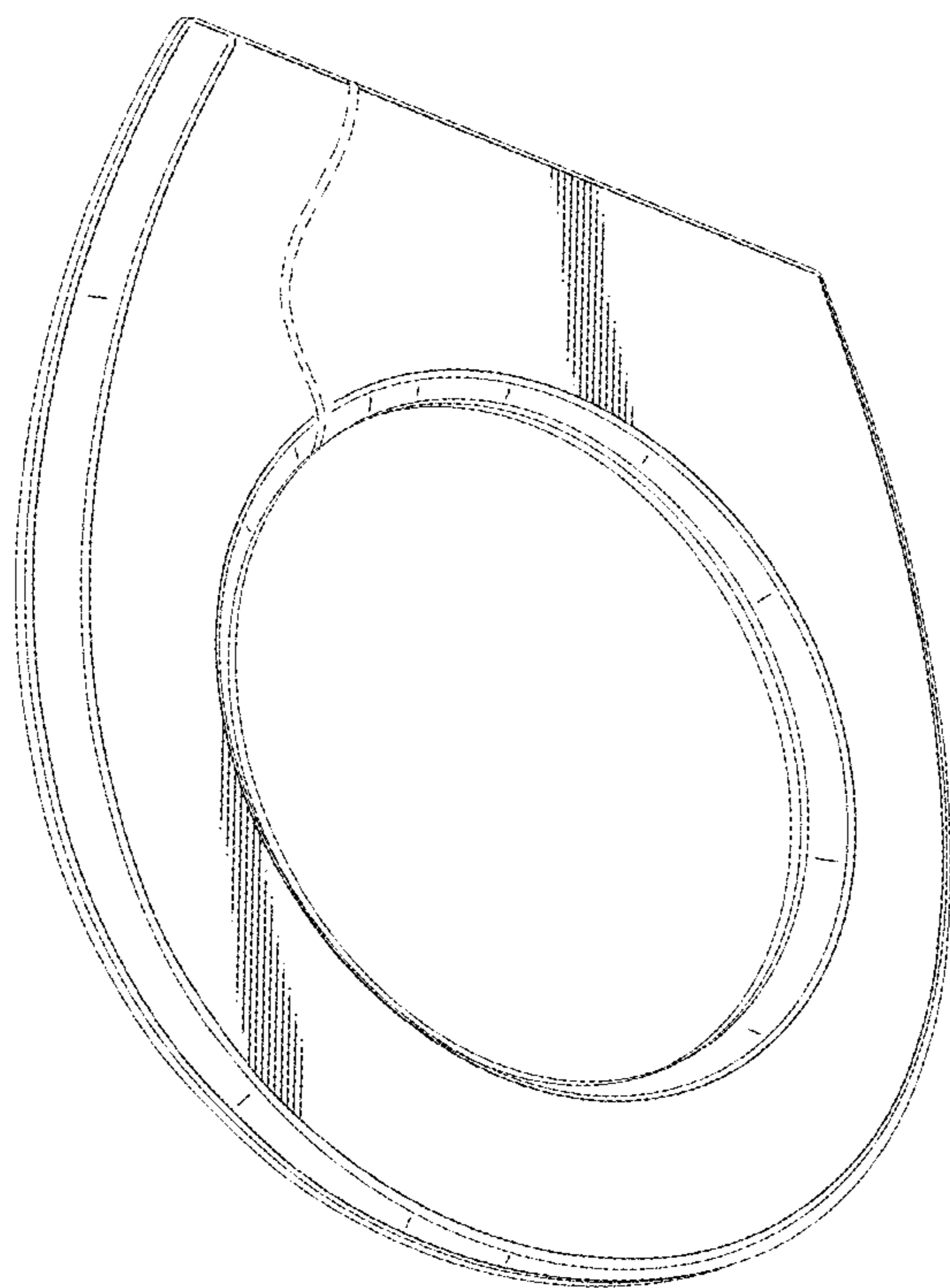


FIG. 7

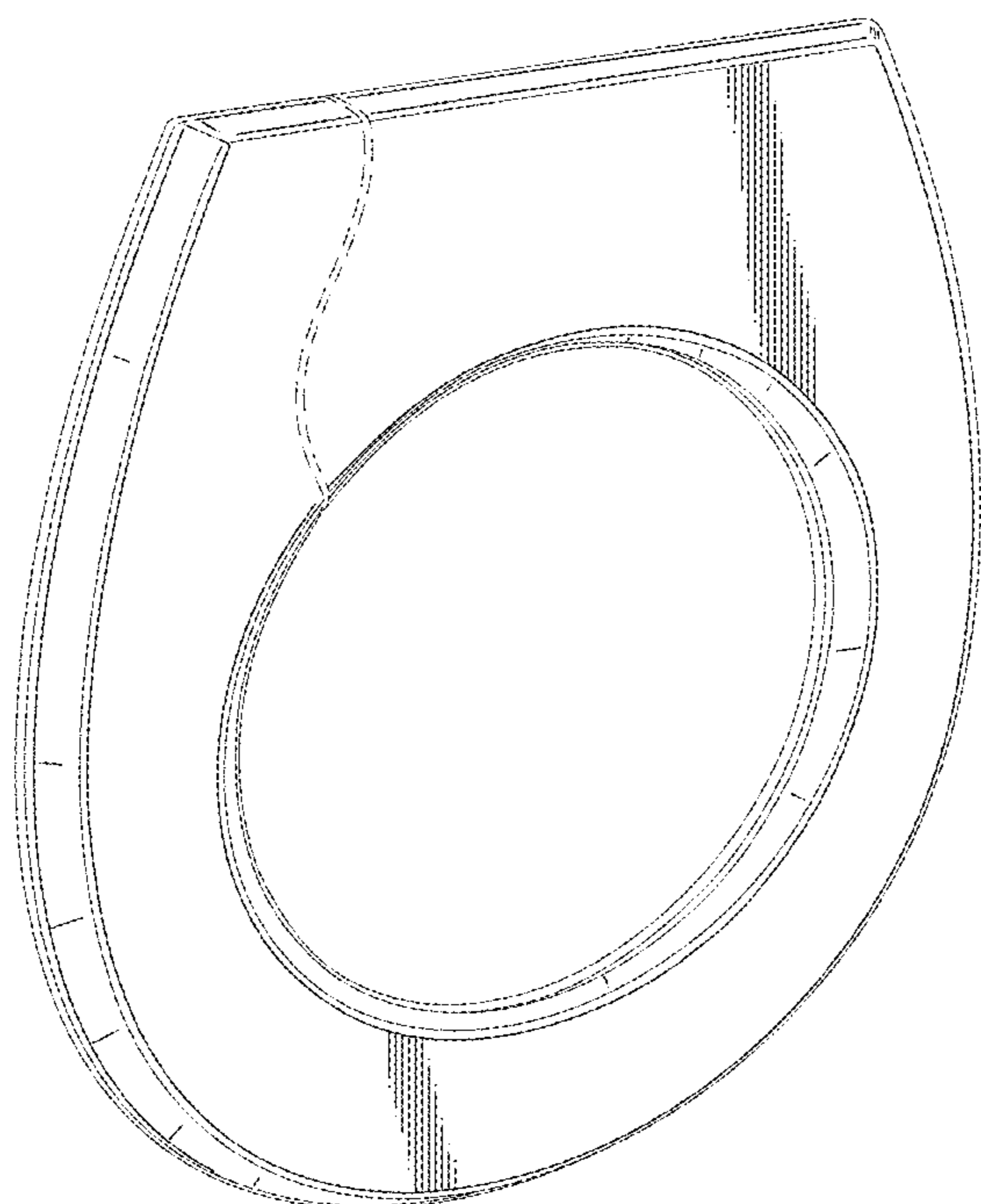


FIG. 8

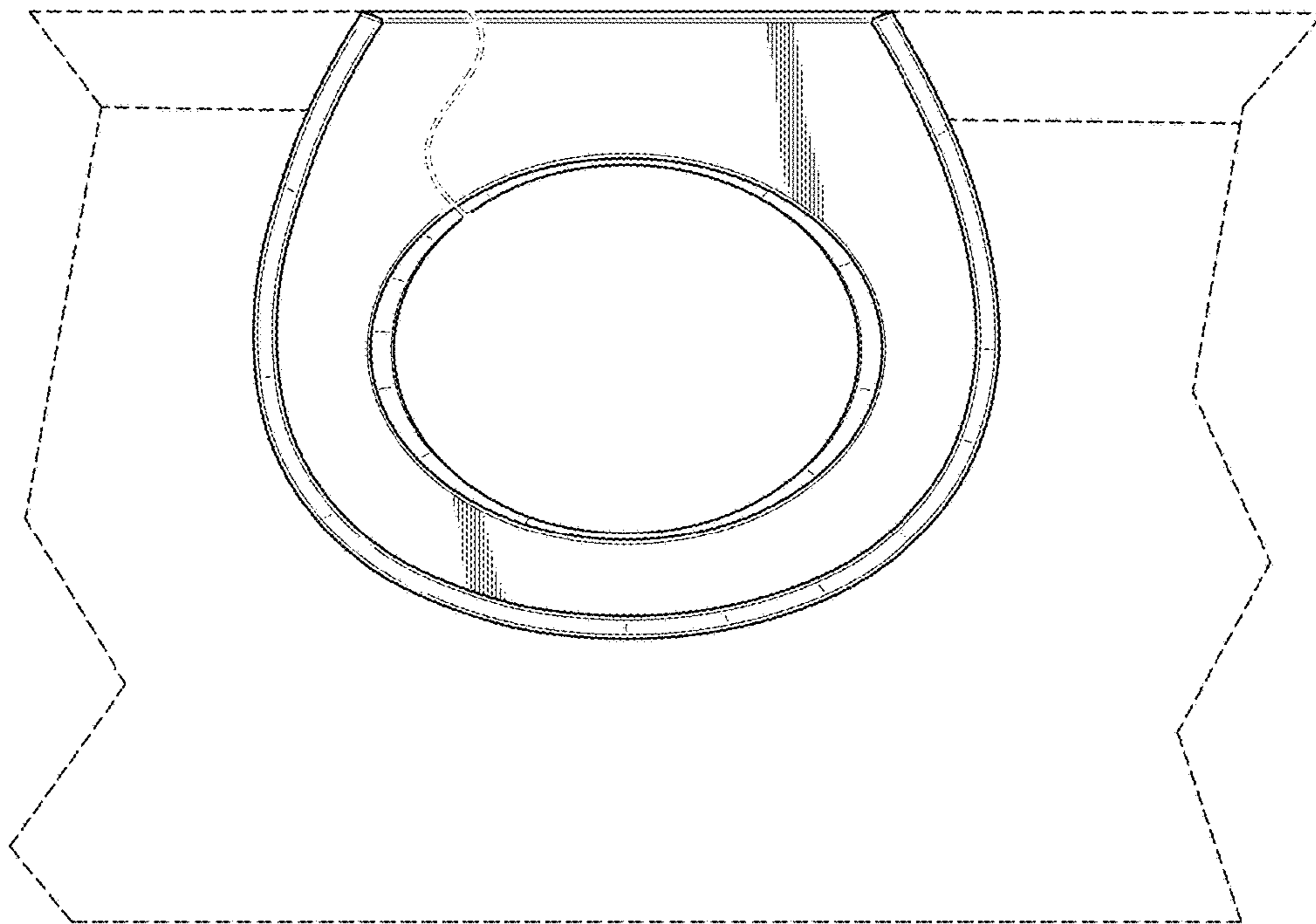


FIG.9