



US00D823096S

(12) **United States Design Patent** (10) **Patent No.:** **US D823,096 S**
Kennelly (45) **Date of Patent:** **** *Jul. 17, 2018**

(54) **BRACKET**

(71) Applicant: **Illinois Tool Works Inc.**, Glenview, IL (US)

(72) Inventor: **Bernard Kennelly**, North Balgowlah (AU)

(73) Assignee: **Illinois Tool Works Inc.**, Glenview, IL (US)

(*) Notice: This patent is subject to a terminal disclaimer.

(**) Term: **15 Years**

(21) Appl. No.: **29/605,360**

(22) Filed: **May 25, 2017**

Related U.S. Application Data

(63) Continuation of application No. 29/548,132, filed on Dec. 10, 2015, now Pat. No. Des. 787,917.

(30) **Foreign Application Priority Data**

Jun. 12, 2015 (AU) 201512955

(51) **LOC (11) Cl.** **08-05**

(52) **U.S. Cl.**
USPC **D8/354**

(58) **Field of Classification Search**
USPC D8/16, 19, 350, 353, 354, 364, 366, 499, D8/380, 381, 371, 373, 349, 14, 363, D8/382; D21/703; D14/136, 239, 451
(Continued)

(56) **References Cited**

U.S. PATENT DOCUMENTS

D248,274 S 6/1978 Kingston et al.
4,447,030 A * 5/1984 Nattel H02G 3/125
248/27.1

(Continued)

Primary Examiner — Jennifer A Rivard

Assistant Examiner — Alison M Ofstun

(74) *Attorney, Agent, or Firm* — Neal, Gerber & Eisenberg LLP

(57) **CLAIM**

The ornamental design for a bracket, as shown and described.

DESCRIPTION

FIG. 1 is a back-top-left side perspective view of a bracket of my new design in an unfolded configuration.

FIG. 2 is a back-bottom-left side perspective view of the bracket in the unfolded configuration.

FIG. 3 is a top plan view of the bracket in the unfolded configuration.

FIG. 4 is a bottom plan view of the bracket in the unfolded configuration.

FIG. 5 is a left side elevational view of the bracket in the unfolded configuration.

FIG. 6 is a back elevational view of the bracket in the unfolded configuration.

FIG. 7 is a front elevational view of the bracket in a folded configuration.

FIG. 8 is a top-front-right side perspective view of the bracket in the folded configuration.

FIG. 9 is a top-front-left side perspective view of the bracket in the folded configuration.

FIG. 10 is a bottom-front-right side perspective view of the bracket in the folded configuration.

FIG. 11 is a bottom-front-left side perspective view of the bracket in the folded configuration.

FIG. 12 is a top plan view of the bracket in the folded configuration.

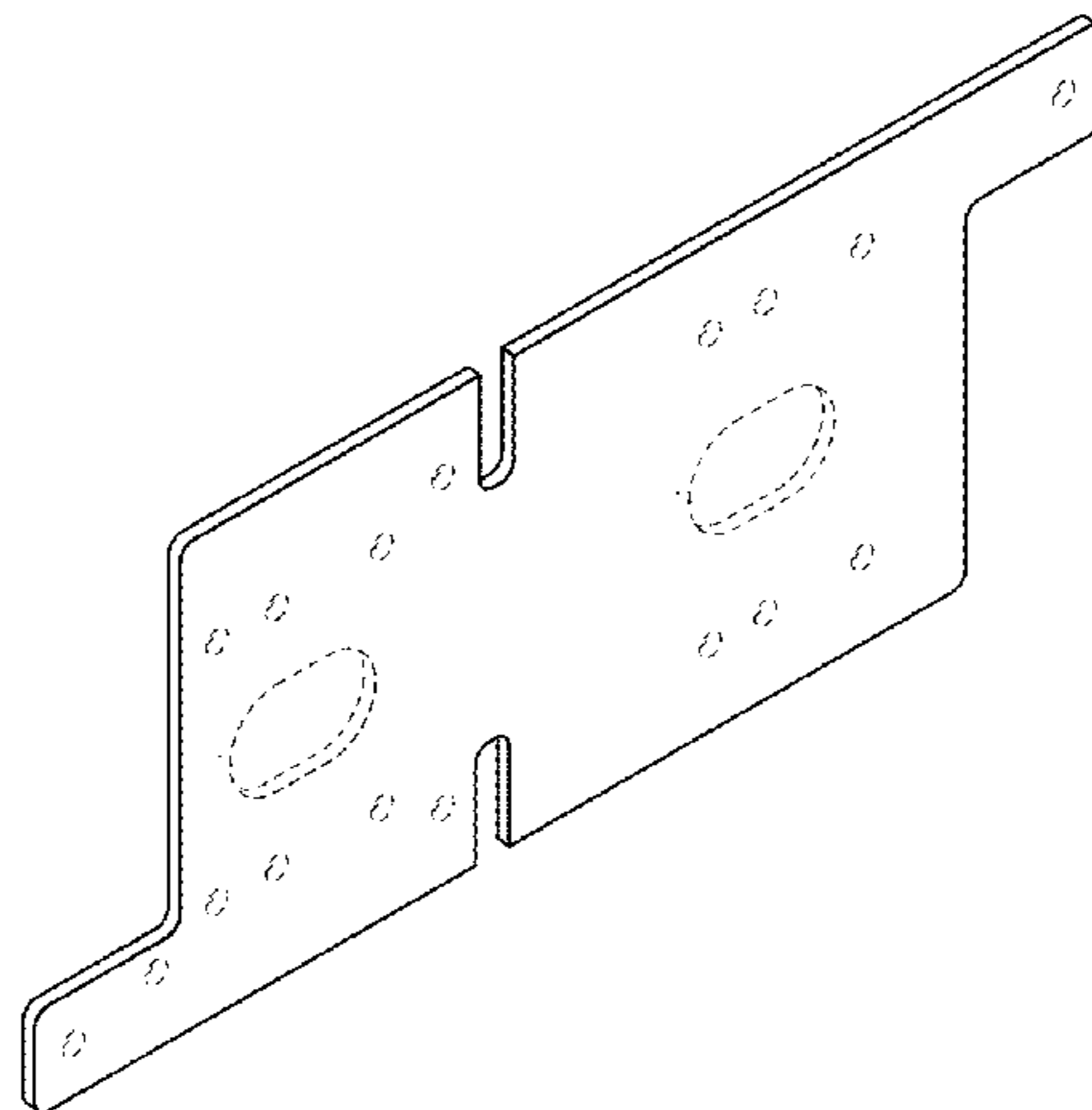
FIG. 13 is a bottom plan view of the bracket in the folded configuration.

FIG. 14 is a right side elevational view of the bracket in the folded configuration; and,

FIG. 15 is a left side elevational view of the bracket in the folded configuration.

The broken lines form no part of the claimed design.

1 Claim, 6 Drawing Sheets



(58) **Field of Classification Search**

CPC A47B 2220/0036; E04B 1/26; E04B
 2001/2415; E04B 2001/2644; E04B
 2001/405; E04B 1/38; E04B 1/2608;
 E04H 17/1421; E04H 2017/1473; A47G
 1/00; A47G 25/00; F16L 3/00; F16M
 13/02; F16M 13/025

See application file for complete search history.

(56)

References Cited

U.S. PATENT DOCUMENTS

5,810,303 A * 9/1998 Bourassa H02G 3/126
 174/58
 D431,770 S 10/2000 Willet
 D432,000 S 10/2000 Hays
 D432,394 S 10/2000 Hays
 6,125,594 A * 10/2000 Hudson E04B 1/2403
 52/238.1

D434,304 S 11/2000 Willett
 D434,639 S 12/2000 Willett
 6,230,467 B1 5/2001 Leek
 D534,904 S 1/2007 Crawford
 D560,674 S * 1/2008 Wohlford D14/451
 D598,272 S 8/2009 Tejszerski
 D598,273 S 8/2009 Nerskov
 D612,224 S * 3/2010 Wendt D8/354
 D637,898 S * 5/2011 Tedesco D8/380
 D654,093 S 2/2012 Peline
 D667,718 S 9/2012 Preda
 D668,562 S 10/2012 Madrack
 RE44,515 E * 10/2013 Ciungan D14/452
 9,115,488 B2 * 8/2015 Jankovec E04B 9/127
 D744,459 S * 12/2015 Cummings D14/238
 D763,235 S 8/2016 Brown
 D768,470 S 10/2016 Noturno
 D776,095 S * 1/2017 Brown D14/239
 D787,917 S * 5/2017 Kennelly D8/354
 D807,728 S * 1/2018 Johnson D8/354
 D808,576 S * 1/2018 Clarke D26/138

* cited by examiner

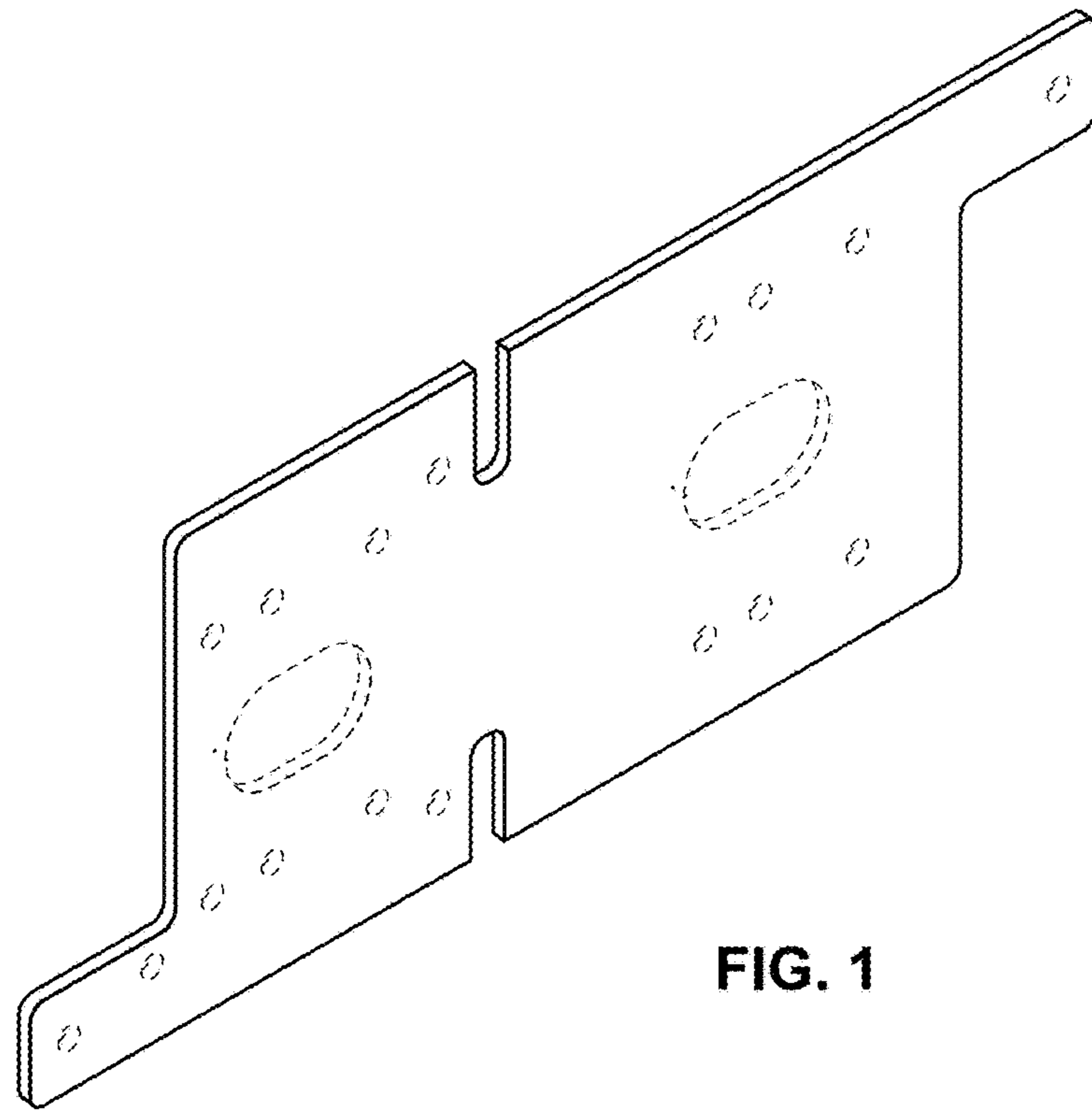


FIG. 1

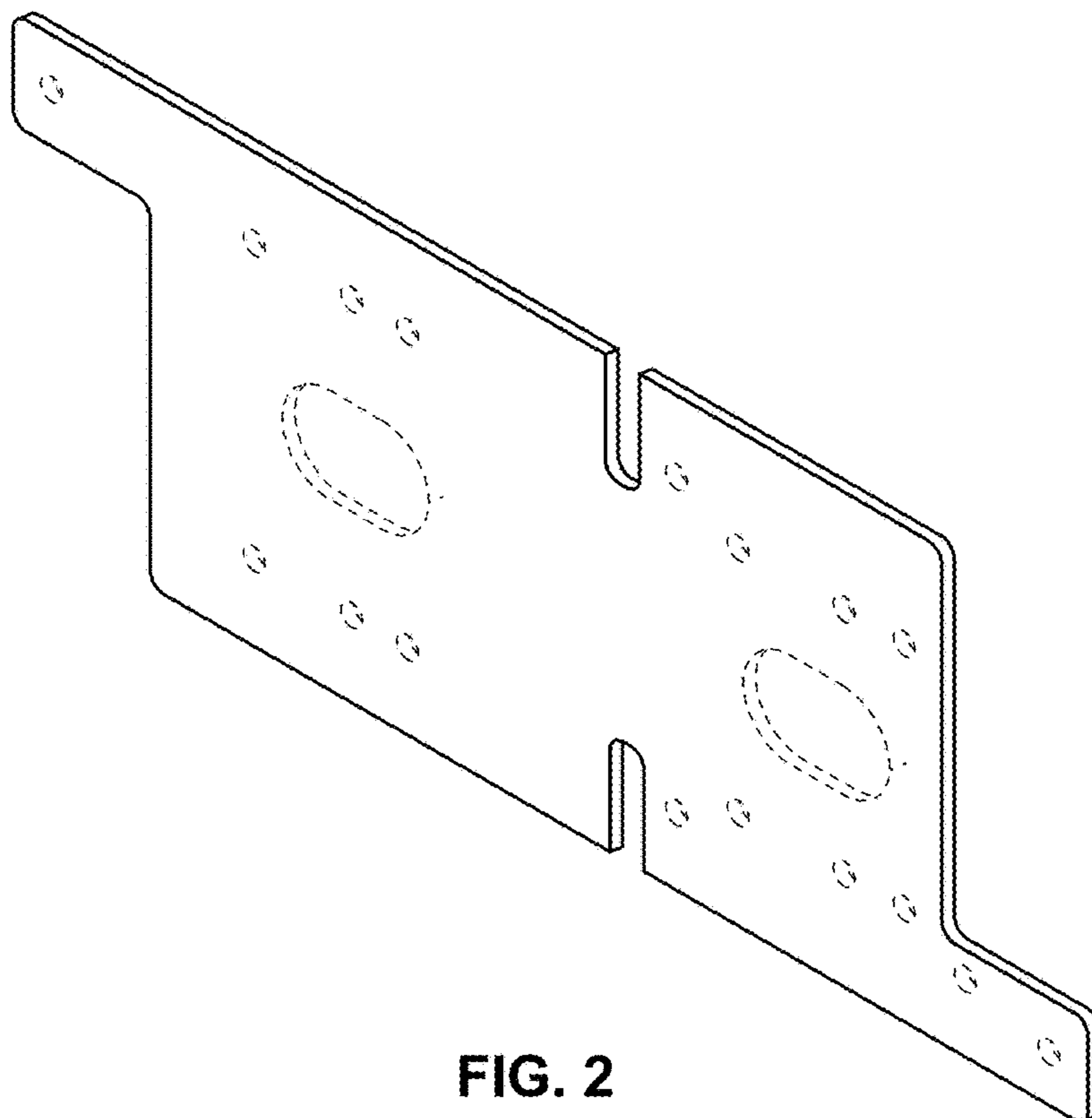


FIG. 2

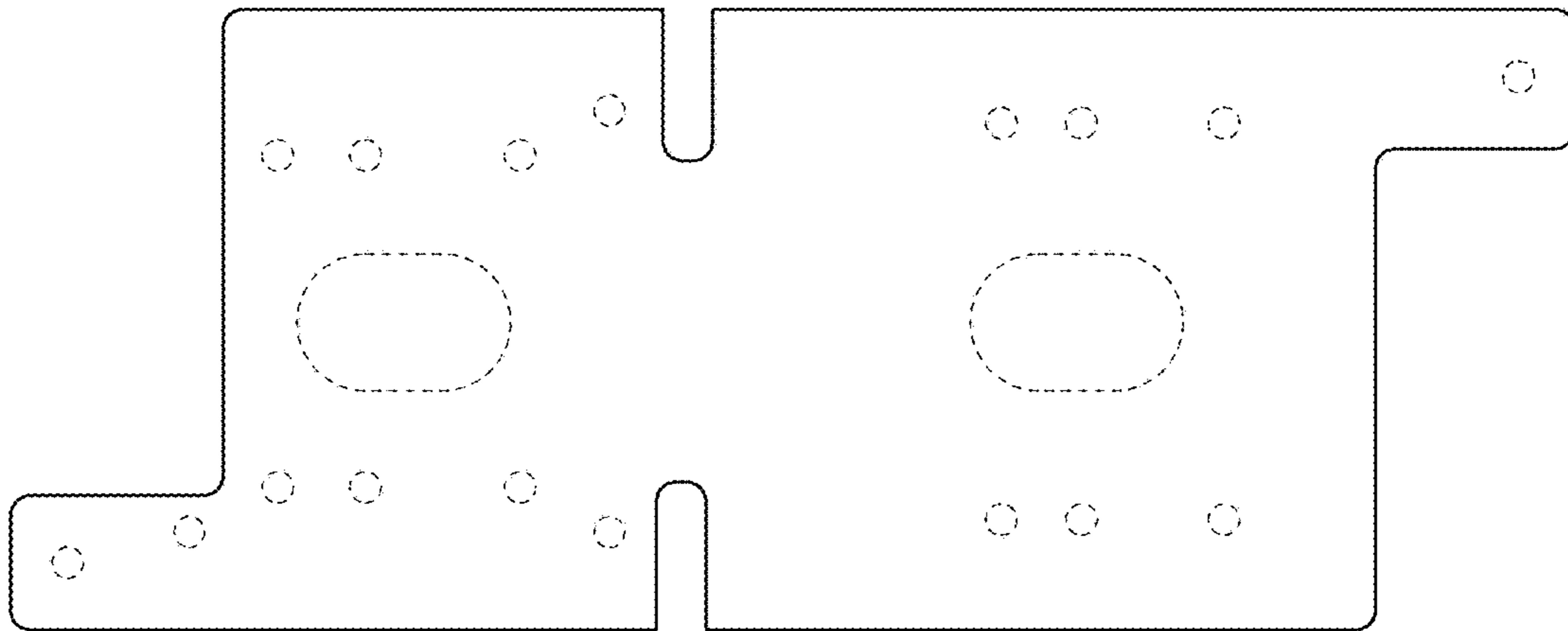


FIG. 3

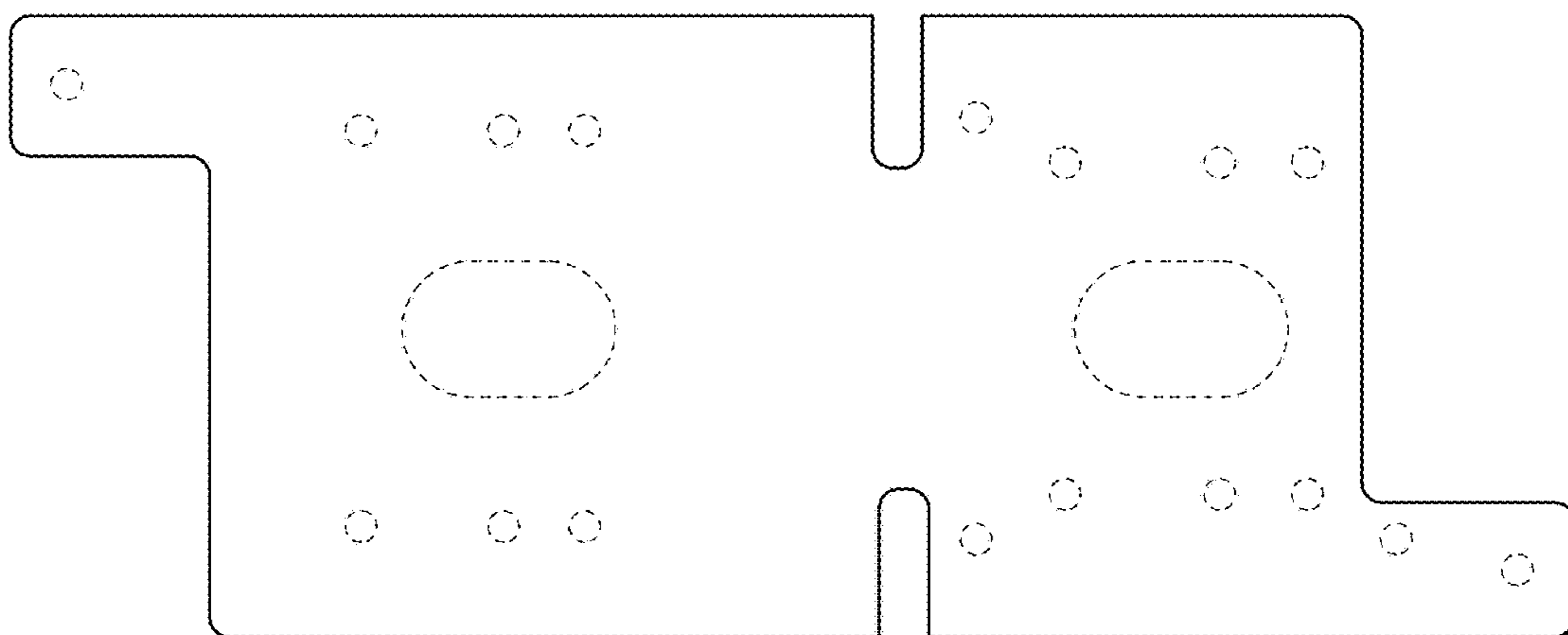


FIG. 4

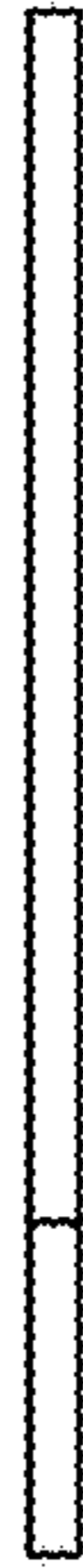


FIG. 5

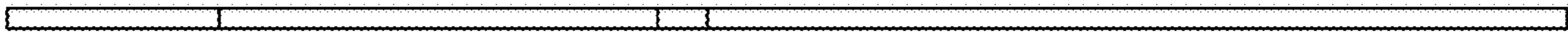


FIG. 6



FIG. 7

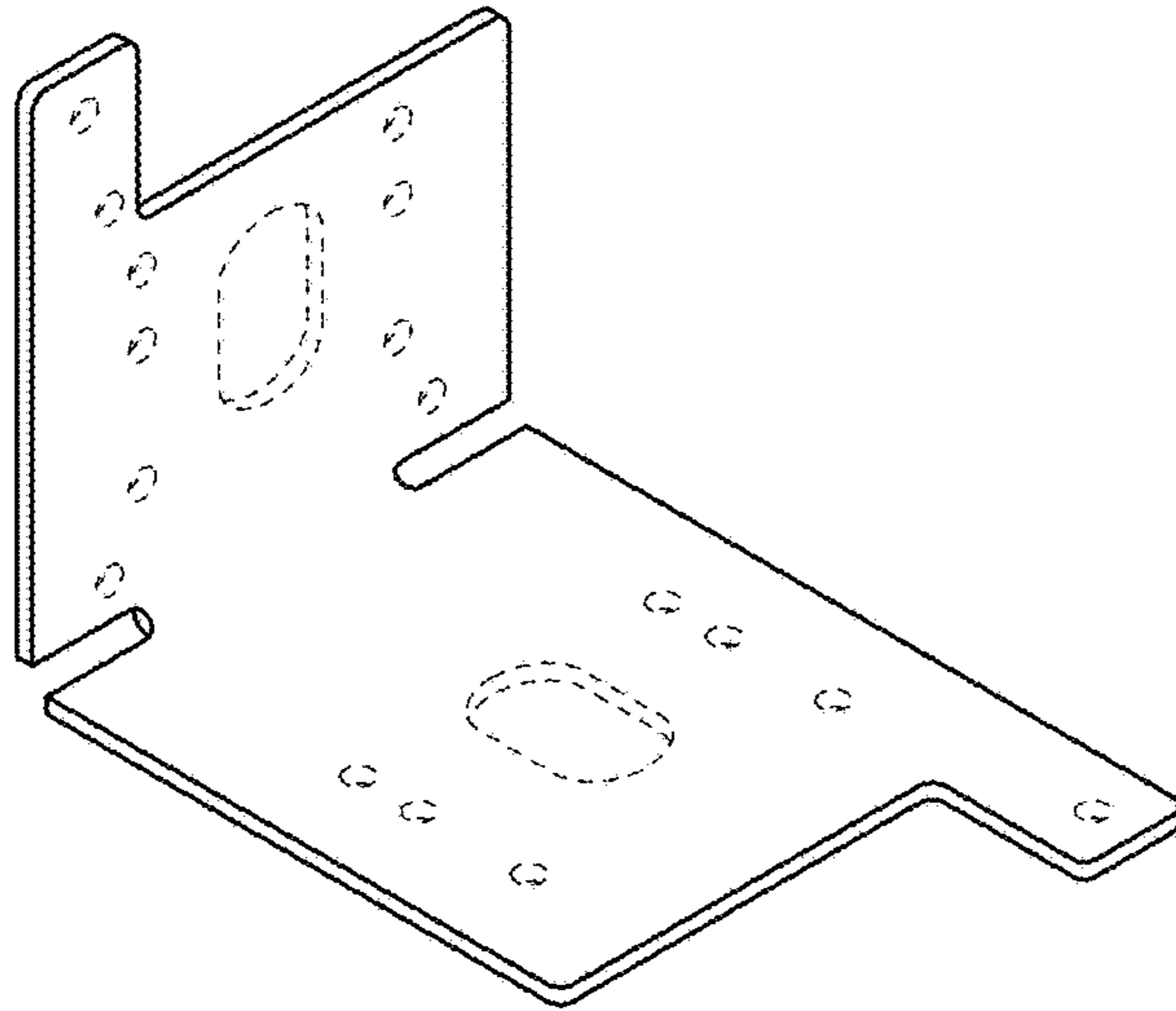


FIG. 8

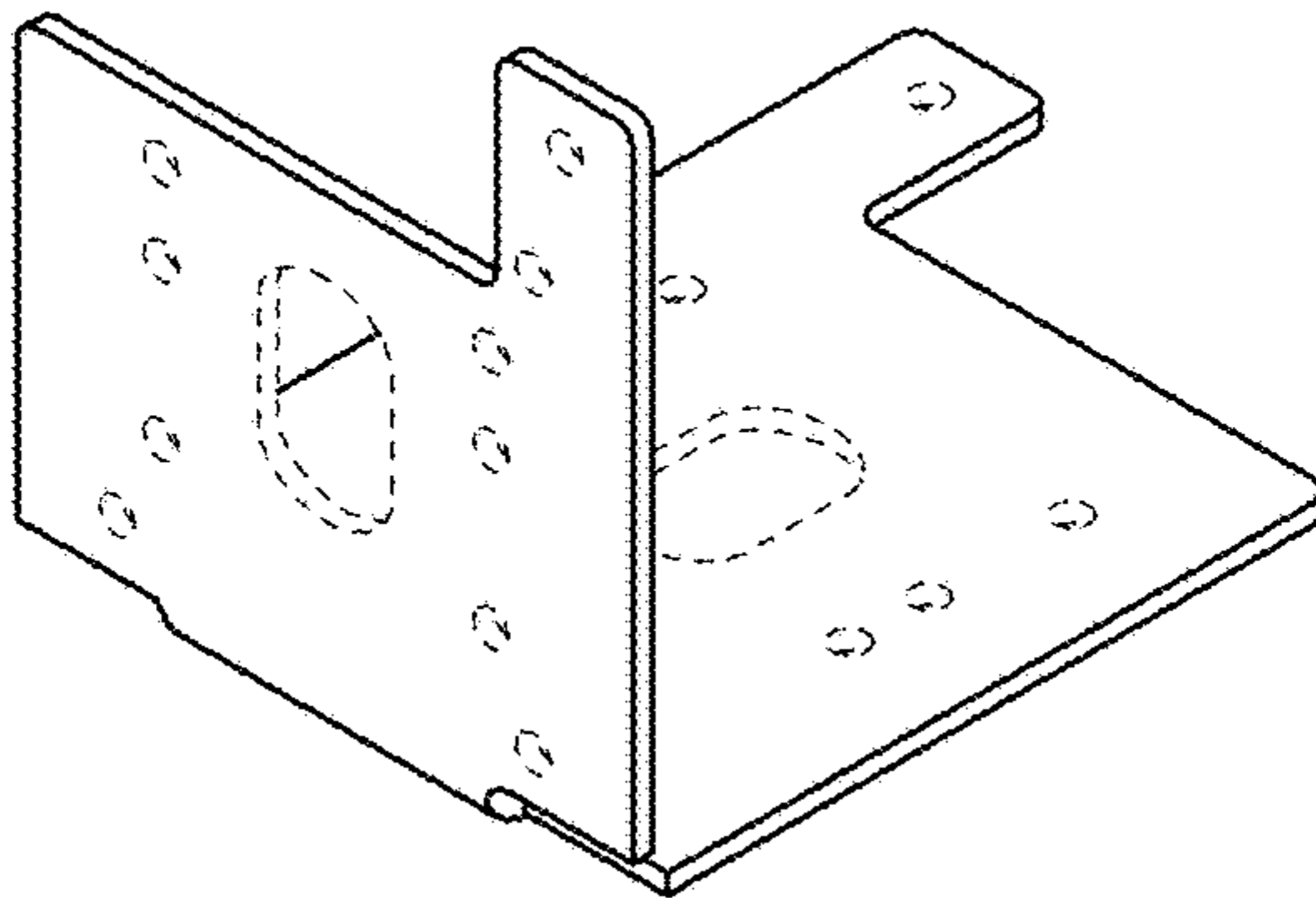


FIG. 9

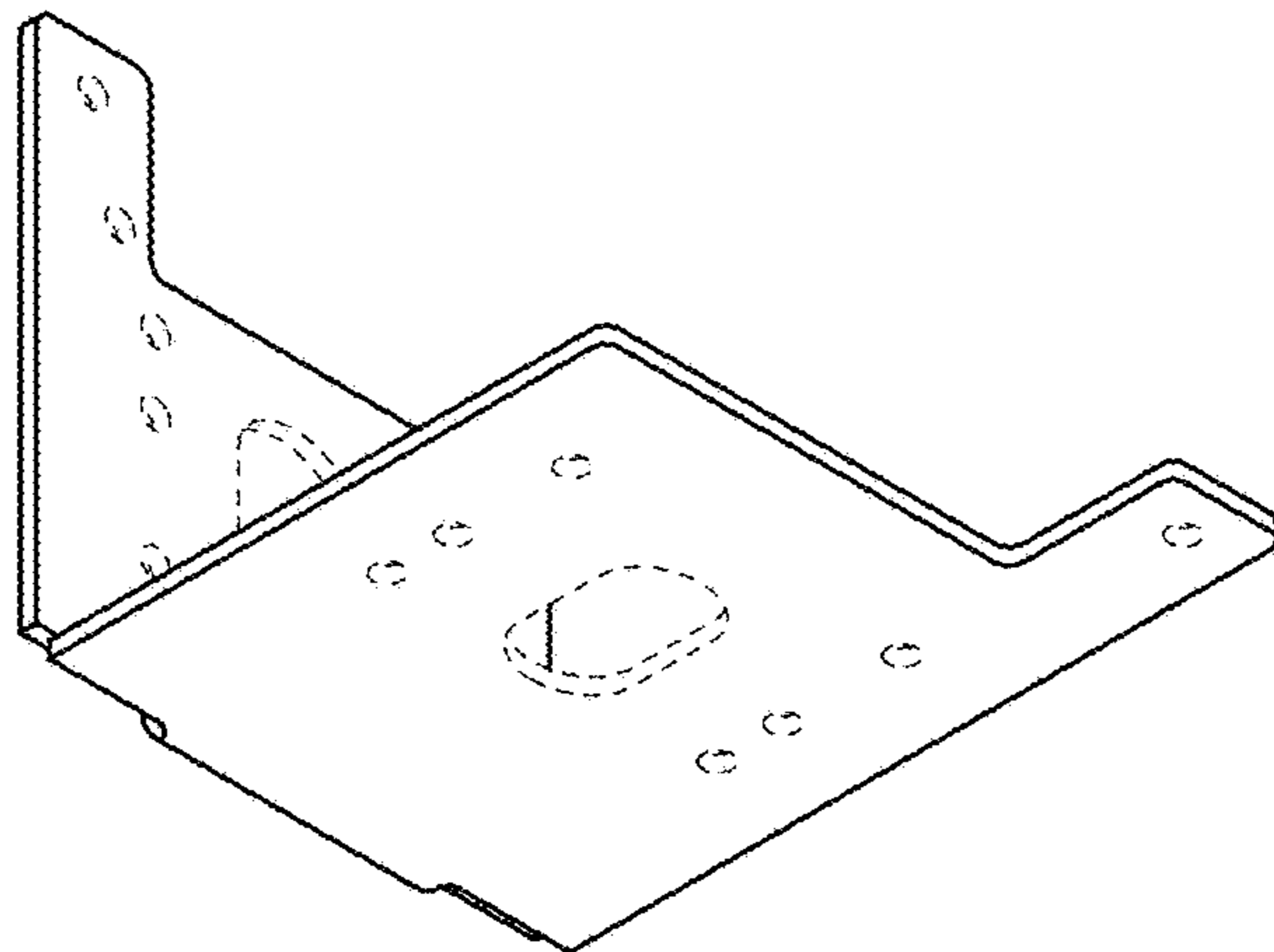


FIG. 10

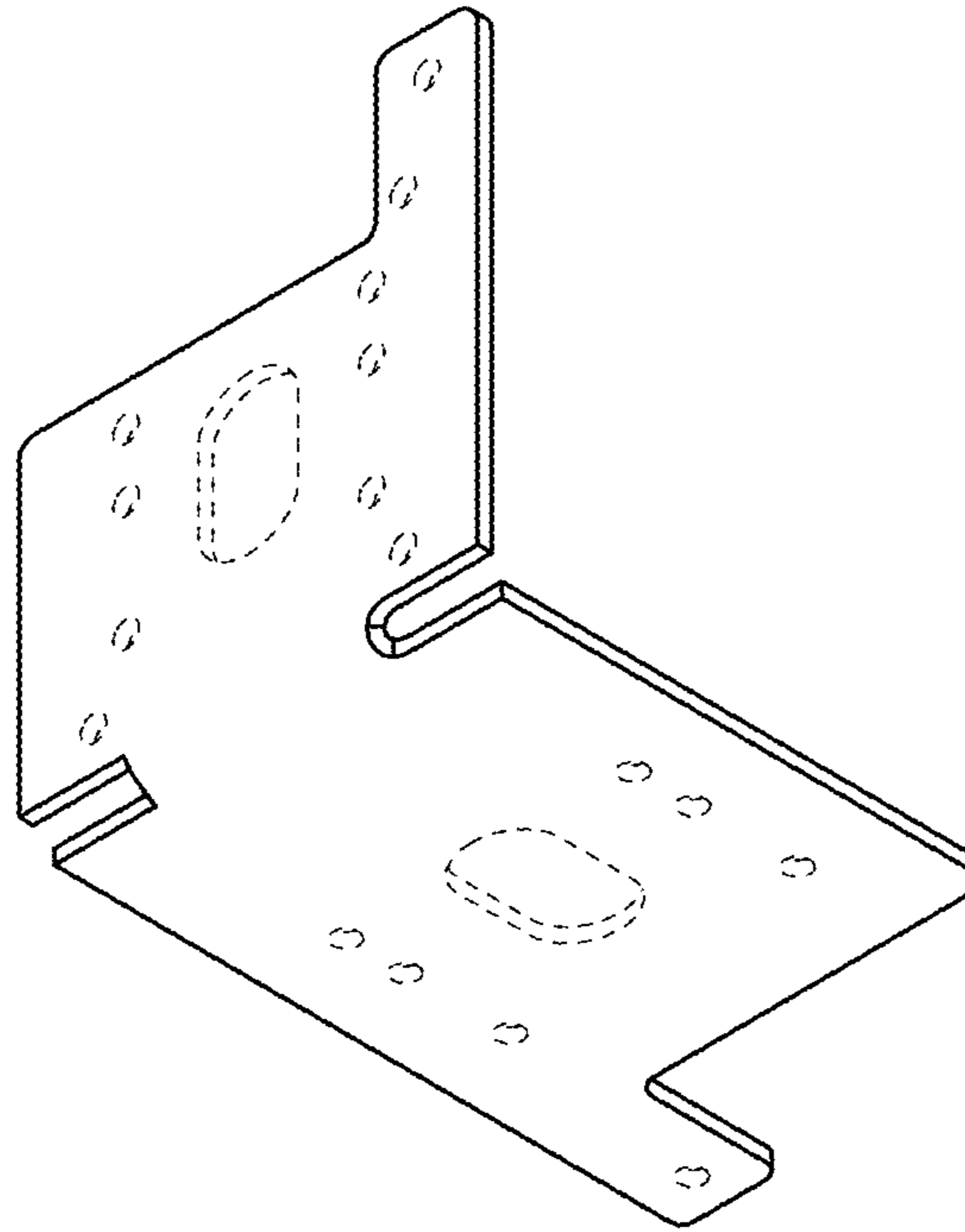


FIG. 11

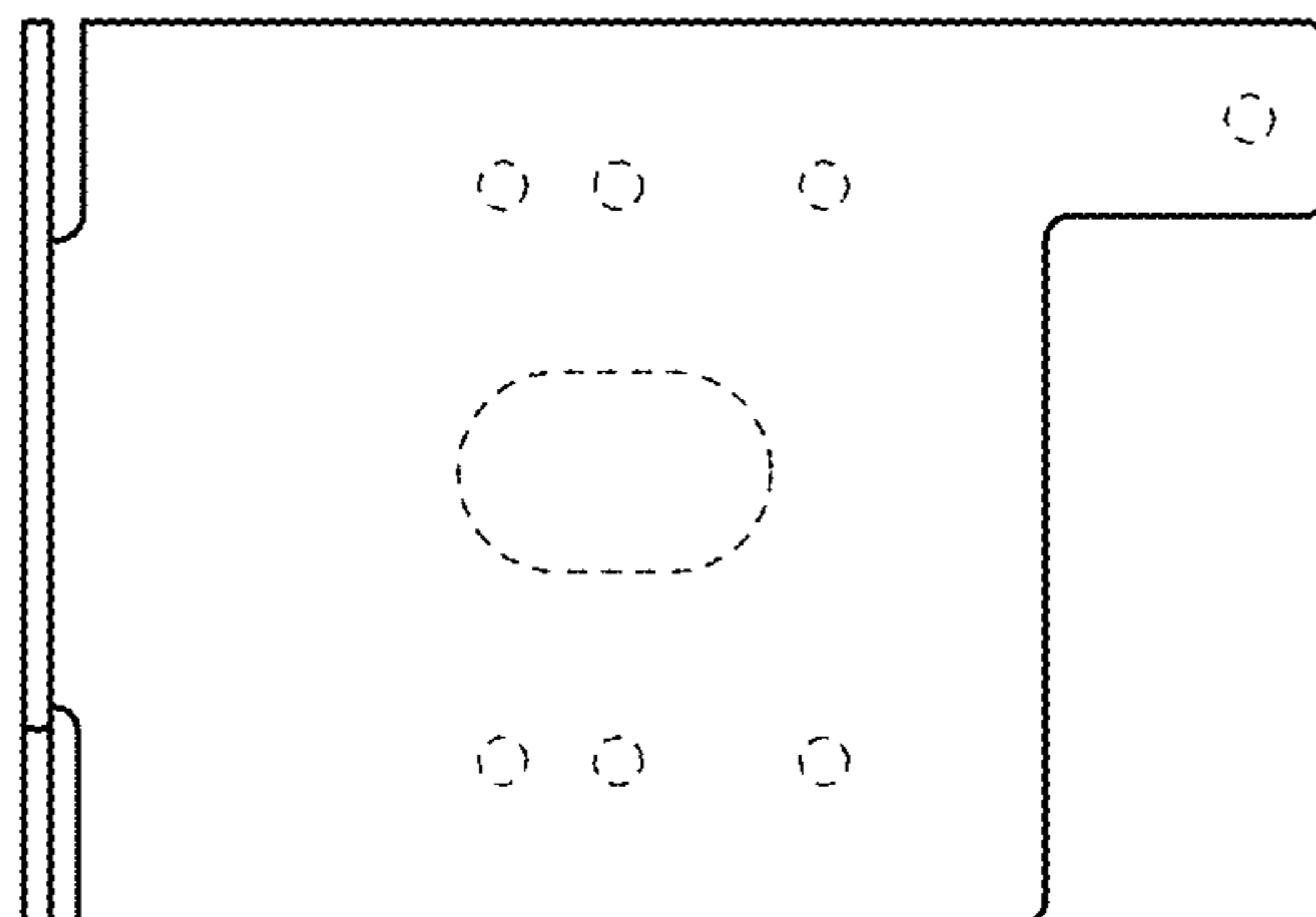


FIG. 12

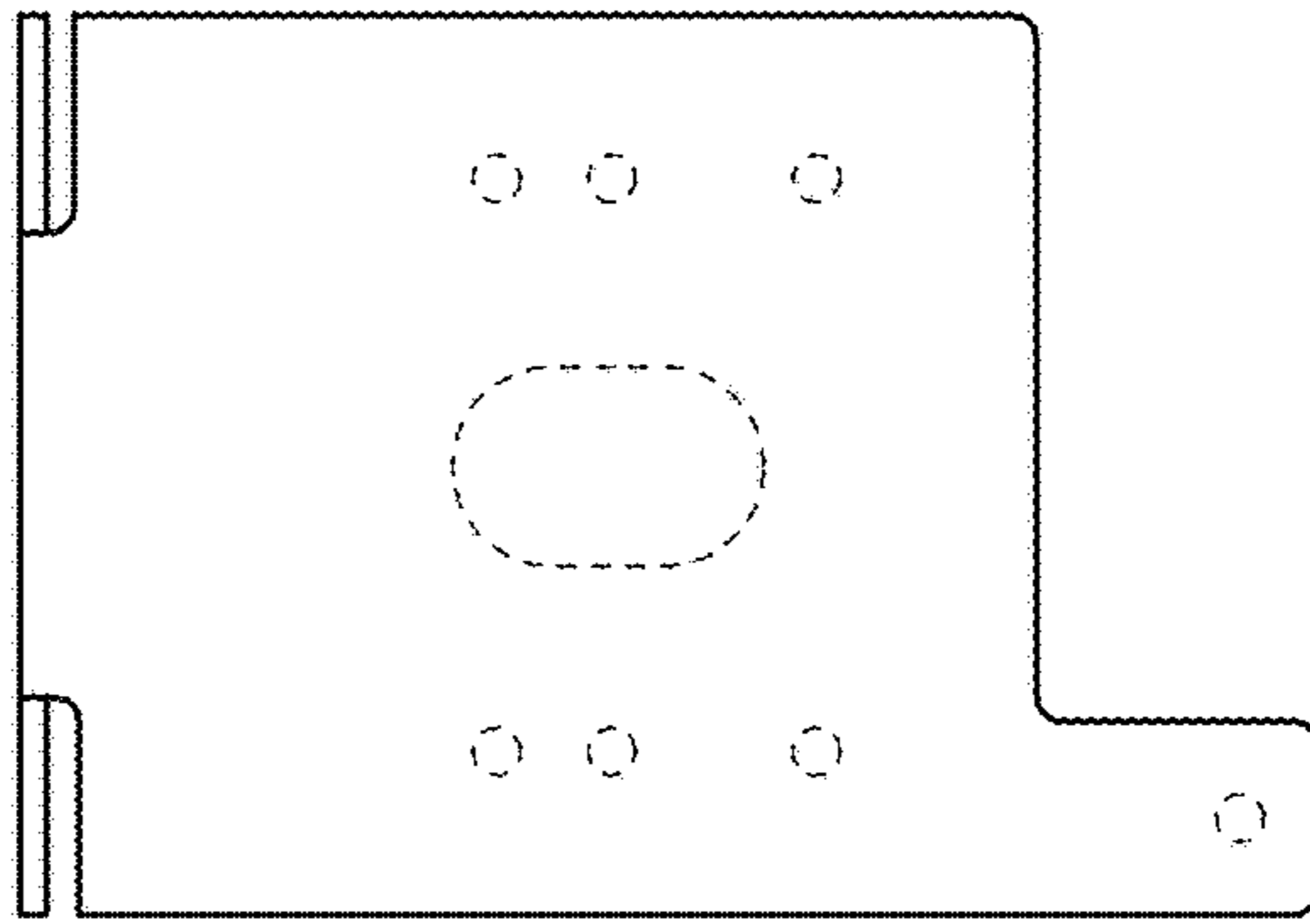


FIG. 13

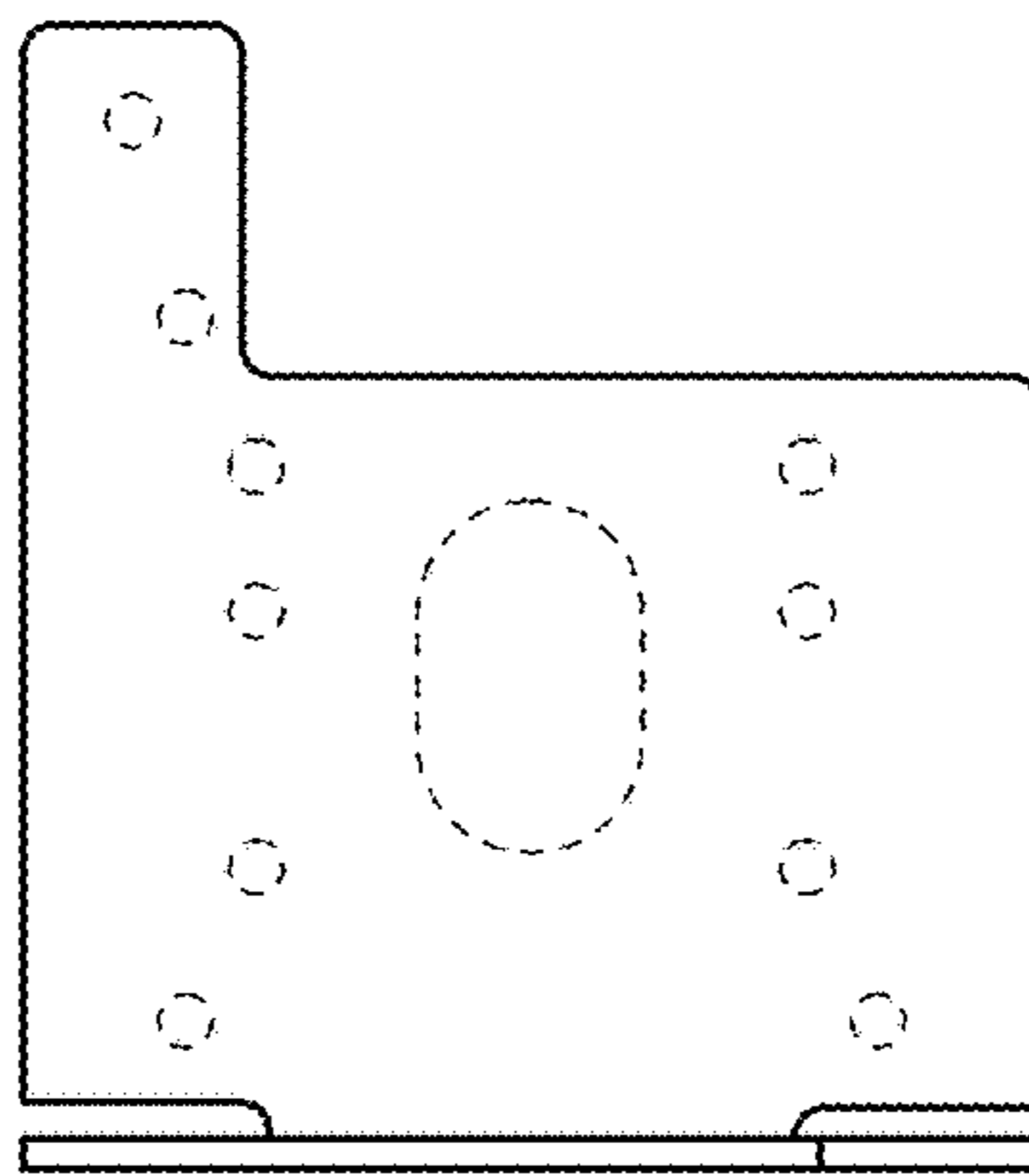


FIG. 14

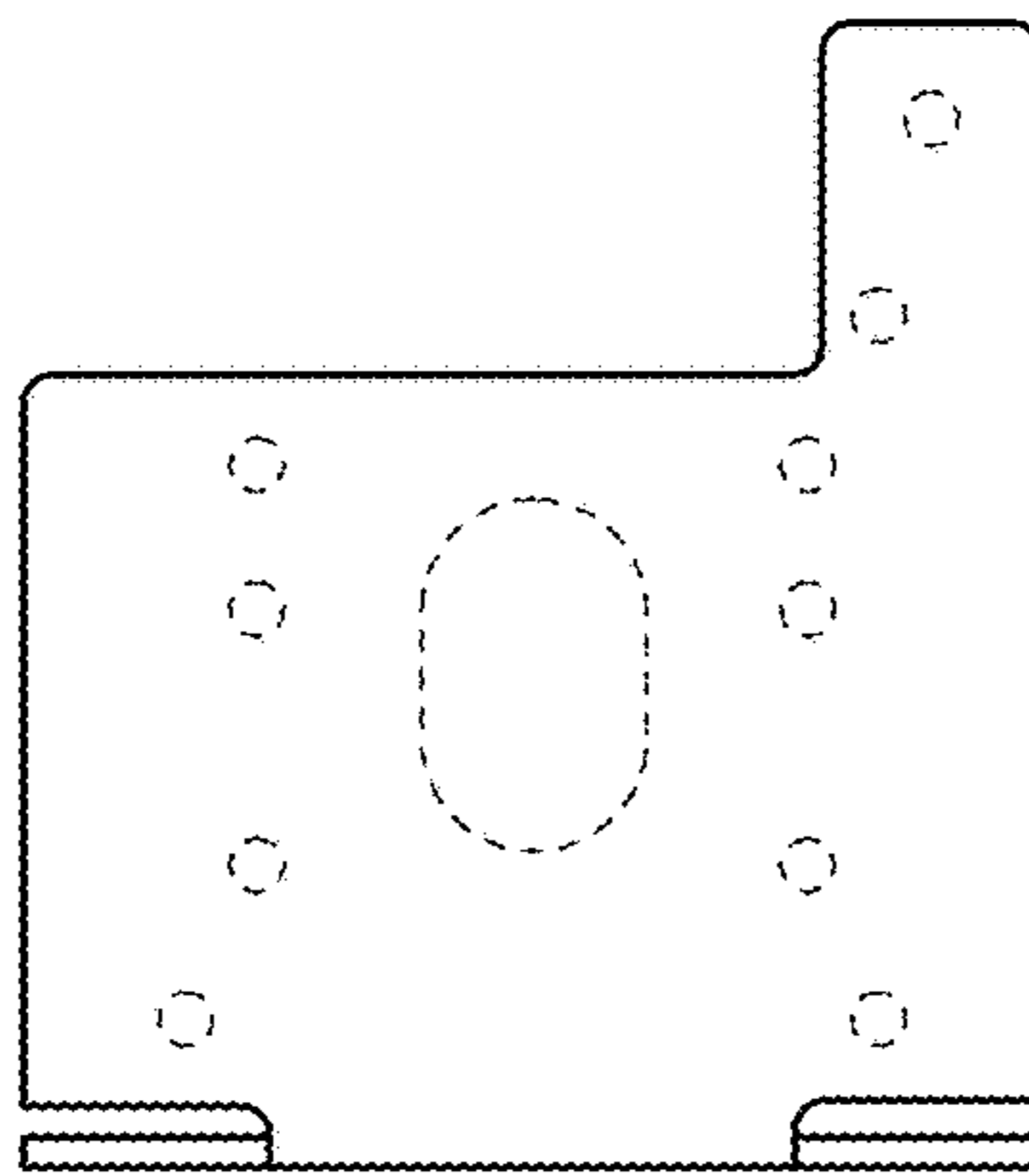


FIG. 15