

US00D823095S

(12) **United States Design Patent**
Stahl et al.

(10) **Patent No.:** **US D823,095 S**

(45) **Date of Patent:** **** *Jul. 17, 2018**

(54) **BRIDGING CLIP WITH RIBS**

- (71) Applicant: **CLARKWESTERN DIETRICH BUILDING SYSTEMS LLC**, West Chester, OH (US)
- (72) Inventors: **Gregg A. Stahl**, Lebanon, OH (US); **Thomas J. Lawson**, West Chester, OH (US); **Nagaraj Eshwar**, Mason, OH (US); **Paul R. Knopp**, Salem, OH (US)
- (73) Assignee: **Clarkwestern Dietrich Building Systems LLC**, West Chester, OH (US)

(*) Notice: This patent is subject to a terminal disclaimer.

(**) Term: **15 Years**

(21) Appl. No.: **29/595,010**

(22) Filed: **Feb. 24, 2017**

(51) **LOC (11) Cl.** **08-05**

(52) **U.S. Cl.**
USPC **D8/354; D8/382**

(58) **Field of Classification Search**
USPC D8/382, 394, 16, 349, 354, 371, 499;
D25/61, 119, 121, 122, 123, 133, 164,
D25/199

(Continued)

(56) **References Cited**

U.S. PATENT DOCUMENTS

529,154 A 11/1894 Banks
D28,565 S 5/1898 Branch

(Continued)

FOREIGN PATENT DOCUMENTS

CA 33013 S 10/1970
CA 2386020 C 7/2005

(Continued)

OTHER PUBLICATIONS

The Steel Network (TSN), BridgeBar®, Product Information, downloaded from <http://www.steelnetwork.com/Product/BridgeBar> on Dec. 31, 2016, 3 pgs.

(Continued)

Primary Examiner — Sandra S Snapp

Assistant Examiner — Ieisha N Price

(74) *Attorney, Agent, or Firm* — Frost Brown Todd, LLC

(57) **CLAIM**

The ornamental design for a bridging clip with ribs, as shown and described.

DESCRIPTION

FIG. 1 is a top perspective view of a bridging clip with ribs, showing our new design;

FIG. 2 is a bottom perspective view of the bridging clip with ribs of FIG. 1;

FIG. 3 is a front elevational view of the bridging clip with ribs of FIG. 1, the rear elevational view being a mirror image thereof;

FIG. 4 is a left elevational view of the bridging clip with ribs of FIG. 1;

FIG. 5 is a right elevational view of the bridging clip with ribs of FIG. 1;

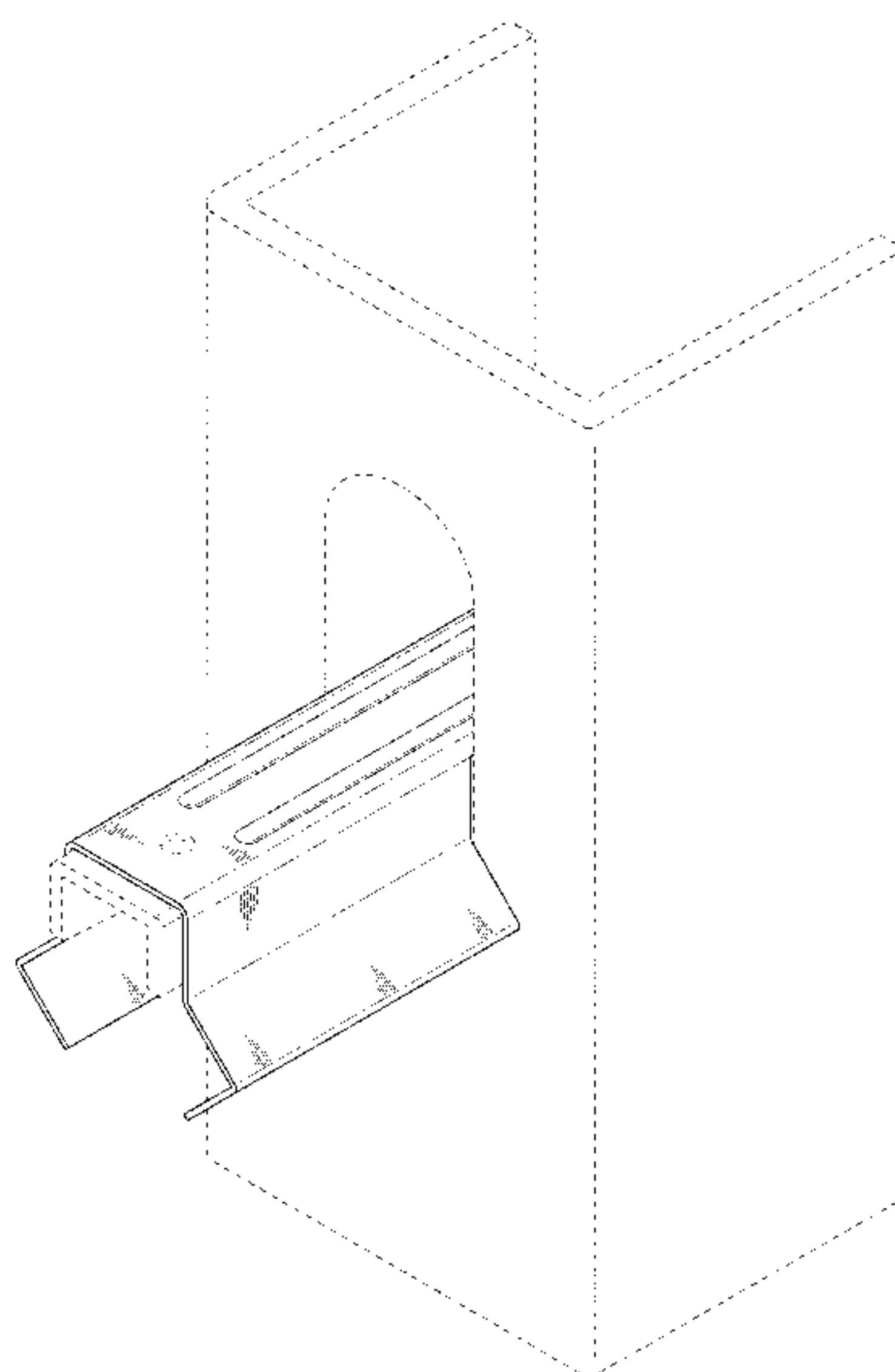
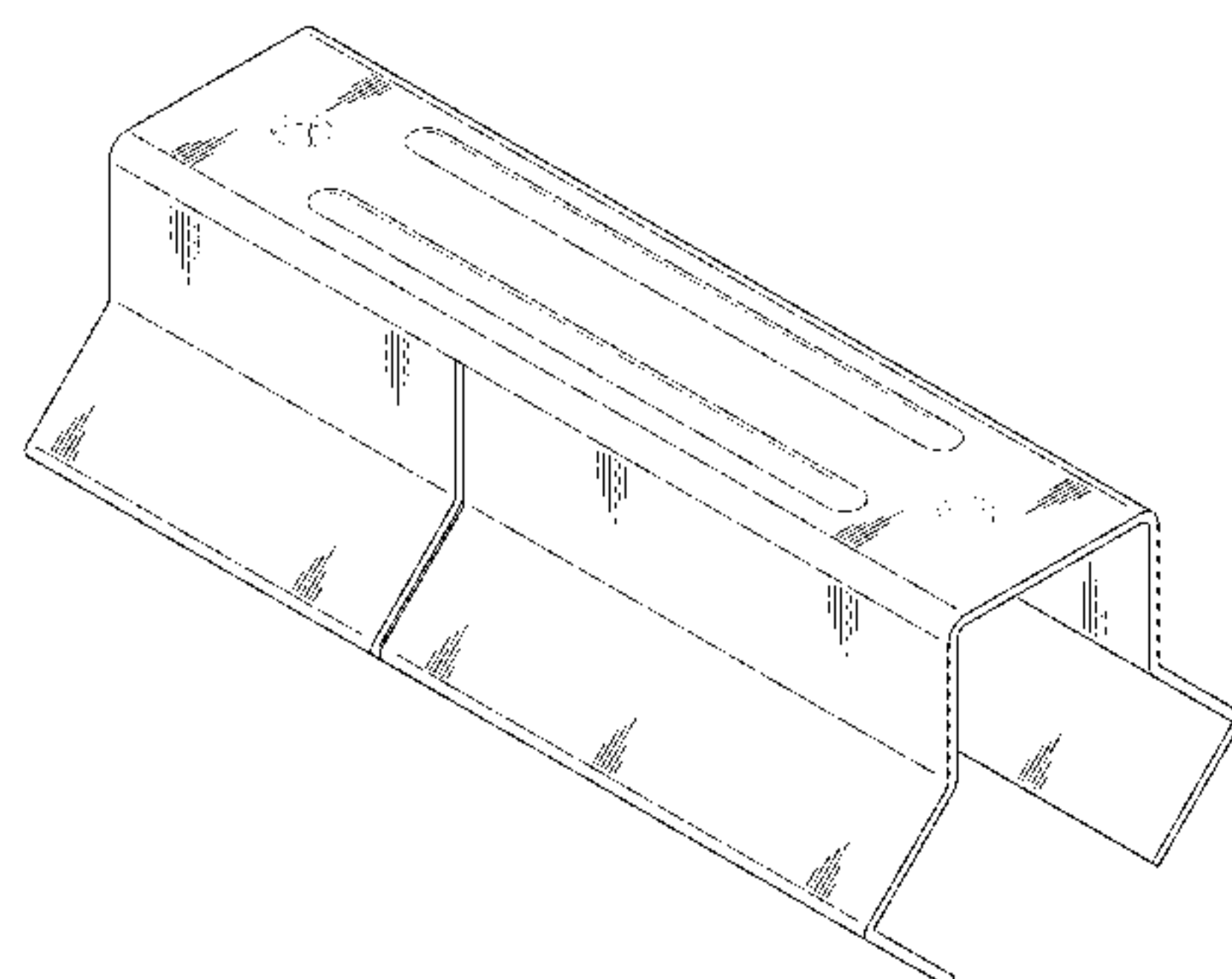
FIG. 6 is a top plan view of the bridging clip with ribs of FIG. 1;

FIG. 7 is a bottom plan view of the bridging clip with ribs of FIG. 1; and,

FIG. 8 is a top perspective view of the bridging clip with ribs of FIG. 1 shown in conjunction with a horizontal bridging member and a vertical stud.

The broken lines shown in the drawings are included for purposes of illustrating portions of the bridging clip with ribs or environmental structure that form no part of the claimed design.

1 Claim, 6 Drawing Sheets



(58)	<p>Field of Classification Search</p> <p>CPC E04B 2/763; E04B 1/1903; E04B 2/7457; E04C 3/07; E04C 3/02; E04C 3/04; E04C 2003/026; E04C 2003/0473; F16B 7/0493; Y10T 403/50; Y10T 403/3906; Y10T 403/583; Y10T 403/581</p> <p>See application file for complete search history.</p>	<p>6,209,268 B1 * 4/2001 Schmidt E04B 1/2608 52/665</p> <p>6,242,698 B1 6/2001 Baker, III et al.</p> <p>6,260,318 B1 7/2001 Herren</p> <p>6,290,214 B1 9/2001 DeSouza</p> <p>6,301,854 B1 10/2001 Daudet et al.</p> <p>6,315,137 B1 11/2001 Mulford</p> <p>6,360,510 B1 * 3/2002 Woodrum E04B 2/62 52/36.2</p>
(56)	<p>References Cited</p> <p>U.S. PATENT DOCUMENTS</p>	<p>6,418,695 B1 7/2002 Daudet</p> <p>D463,575 S 9/2002 Daudet</p> <p>D467,007 S 12/2002 Daudet et al.</p> <p>D468,792 S 1/2003 Jacoway et al.</p> <p>6,644,603 B2 11/2003 Bailleux</p> <p>D483,254 S 12/2003 Sels</p> <p>6,694,695 B2 2/2004 Collins et al.</p> <p>6,701,689 B2 3/2004 diGirolamo</p> <p>6,702,270 B1 3/2004 Reschke</p> <p>6,708,460 B1 3/2004 Elderson</p> <p>6,739,562 B2 5/2004 Rice</p> <p>6,792,733 B2 9/2004 Wheeler</p> <p>6,920,734 B2 7/2005 Elderson</p> <p>D513,171 S 12/2005 Richardson</p> <p>7,017,310 B2 3/2006 Brunt</p> <p>7,021,021 B2 4/2006 Saldana</p> <p>7,104,024 B1 9/2006 diGirolamo et al.</p> <p>7,159,369 B2 1/2007 Elderson</p> <p>7,168,219 B2 1/2007 Elderson</p> <p>D554,978 S 11/2007 Radke</p> <p>D558,039 S 12/2007 Skinner</p> <p>7,398,621 B2 7/2008 Banta</p> <p>D579,321 S 10/2008 Townley</p> <p>D580,260 S * 11/2008 Collins D8/382</p> <p>7,503,150 B1 3/2009 diGirolamo et al.</p> <p>D590,697 S 4/2009 Townley</p> <p>D599,193 S * 9/2009 Meyer D8/354</p> <p>D600,535 S 9/2009 Rix</p> <p>D611,887 S 3/2010 Peschmann</p> <p>D615,387 S 5/2010 Prichard</p> <p>D615,848 S * 5/2010 Prichard D8/354</p> <p>7,739,850 B2 6/2010 Daudet</p> <p>D618,992 S * 7/2010 Rix D8/354</p> <p>D621,953 S 8/2010 Peifer</p> <p>D625,588 S 10/2010 Norris et al.</p> <p>7,836,657 B1 11/2010 diGirolamo</p> <p>D634,613 S 3/2011 Massie et al.</p> <p>D634,614 S 3/2011 Massie et al.</p> <p>D639,641 S 6/2011 Massie et al.</p> <p>7,955,027 B2 6/2011 Nourian et al.</p> <p>8,011,160 B2 9/2011 Rice</p> <p>8,083,187 B2 12/2011 Bernard et al.</p> <p>D654,188 S 2/2012 Hanlon</p> <p>D656,006 S * 3/2012 Underkofler D8/380</p> <p>D656,246 S 3/2012 Hanlon</p> <p>D656,251 S 3/2012 Underkofler et al.</p> <p>D657,073 S 4/2012 Reves</p> <p>D657,891 S 4/2012 Jones</p> <p>8,205,402 B1 6/2012 diGirolamo et al.</p> <p>D667,718 S 9/2012 Preda</p> <p>8,387,321 B2 3/2013 diGirolamo et al.</p> <p>D682,069 S 5/2013 Lehane et al.</p> <p>D692,746 S * 11/2013 Lawson E04B 2/763 D8/394</p> <p>8,590,255 B2 11/2013 Daudet et al.</p> <p>8,672,600 B2 * 3/2014 Reznar E04F 15/04 411/457</p> <p>8,813,456 B2 8/2014 Lin et al.</p> <p>D718,884 S 12/2014 Thrush et al.</p> <p>9,016,024 B1 4/2015 Daudet</p> <p>D729,410 S 5/2015 Lopez</p> <p>D734,119 S 7/2015 Kufner et al.</p> <p>D736,065 S 8/2015 Castellano</p> <p>9,109,361 B2 * 8/2015 Daudet E04C 3/07</p> <p>D746,669 S * 1/2016 McBride E04B 1/40 D25/121</p> <p>9,523,196 B2 12/2016 Rice</p> <p>9,732,520 B2 8/2017 Daudet et al.</p> <p>9,849,497 B2 12/2017 Daudet et al.</p>
	<p>719,191 A 1/1903 Collins</p> <p>992,941 A 5/1911 Danielson</p> <p>1,101,745 A 6/1914 Jones</p> <p>1,791,197 A 2/1931 Dickson</p> <p>2,356,309 A * 8/1944 Garbe E04B 1/08 52/236.7</p> <p>2,365,501 A 12/1944 Walstrom</p> <p>D158,461 S * 5/1950 Hammerly D25/119</p> <p>3,083,794 A 4/1963 Stovail</p> <p>3,126,928 A 3/1964 McMillan</p> <p>D200,099 S * 1/1965 Attwood D25/121</p> <p>3,322,447 A 5/1967 Biggs</p> <p>D211,082 S * 5/1968 La Londe D25/121</p> <p>D217,223 S 4/1970 Knohl</p> <p>D221,141 S * 7/1971 Wormser D20/44</p> <p>3,653,172 A 4/1972 Schwartz</p> <p>3,778,952 A 12/1973 Soucy</p> <p>3,897,163 A 7/1975 Holmes</p> <p>4,018,020 A 4/1977 Sauer et al.</p> <p>4,027,453 A 6/1977 Bridge</p> <p>4,043,689 A 8/1977 Spencer</p> <p>4,102,587 A * 7/1978 Herb E04G 17/001 403/205</p> <p>4,128,979 A 12/1978 Price</p> <p>4,140,417 A 2/1979 Danielson et al.</p> <p>4,174,911 A 11/1979 Maccario et al.</p> <p>4,208,851 A 6/1980 Sauer</p> <p>4,235,054 A 11/1980 Cable et al.</p> <p>D257,663 S * 12/1980 McKee D8/354</p> <p>D257,664 S * 12/1980 McKee D8/354</p> <p>D264,756 S 6/1982 Anderson</p> <p>4,426,822 A 1/1984 Gailey</p> <p>4,428,172 A 1/1984 Larsson</p> <p>4,448,004 A 5/1984 Thorsell</p> <p>4,464,074 A 8/1984 Green</p> <p>4,516,874 A 5/1985 Yang et al.</p> <p>4,586,841 A 5/1986 Hunter</p> <p>4,625,415 A 12/1986 Diamontis</p> <p>4,693,047 A 9/1987 Menchetti</p> <p>4,791,766 A 12/1988 Egri, II</p> <p>4,809,476 A 3/1989 Satchell</p> <p>4,840,005 A 6/1989 Cochran</p> <p>4,850,169 A 7/1989 Burkstrand et al.</p> <p>4,914,878 A 4/1990 Tamaki et al.</p> <p>4,951,436 A 8/1990 Burkstrand et al.</p> <p>5,040,345 A 8/1991 Gilmour</p> <p>5,092,100 A 3/1992 Lambert et al.</p> <p>5,127,760 A 7/1992 Brady</p> <p>5,155,962 A 10/1992 Burkstrand et al.</p> <p>5,189,857 A 3/1993 Herren</p> <p>5,287,664 A 2/1994 Schiller</p> <p>5,325,651 A 7/1994 Meyer et al.</p> <p>5,363,622 A 11/1994 Sauer</p> <p>5,403,110 A 4/1995 Sammann</p> <p>5,605,024 A 2/1997 Sucato et al.</p> <p>5,671,580 A 9/1997 Chou</p> <p>5,720,138 A 2/1998 Johnson</p> <p>5,784,850 A 7/1998 Elderson</p> <p>D398,835 S 9/1998 Coll et al.</p> <p>5,876,006 A 3/1999 Sharp</p> <p>5,899,041 A 5/1999 Durin</p> <p>5,904,023 A 5/1999 diGirolamo et al.</p> <p>6,021,618 A 2/2000 Elderson</p> <p>D425,403 S 5/2000 Medina</p> <p>6,164,028 A 12/2000 Hughes</p>	

(56)

References Cited

U.S. PATENT DOCUMENTS

2002/0046525 A1* 4/2002 Rice E04B 2/7457
52/481.1
2003/0145537 A1 8/2003 Bailey
2003/0167722 A1 9/2003 Klein et al.
2007/0251186 A1 11/2007 Rice
2008/0289275 A1* 11/2008 Ellis E04B 2/7457
52/288.1
2017/0191254 A1 7/2017 Daudet

FOREIGN PATENT DOCUMENTS

CA 2370203 C 12/2005
CA 116660 S 11/2007
CA 2304264 C 10/2008
CA 132958 S 7/2010
CA 132960 S 7/2010
CA 134531 S 10/2010
CA 140795 S 1/2012
CA 142290 S 4/2012

CA 2791958 A1 4/2013
CA 152547 S 4/2014
CA 2905826 A1 9/2014
CA 158874 S 4/2015
CA 2880759 A1 2/2016
CA 2903509 A1 3/2016
EP 2 395 168 B1 5/2015
WO WO 2014/149102 A1 9/2014
WO WO 2014/158259 10/2014

OTHER PUBLICATIONS

The Steel Network (TSN), BridgeBar®, Technical Sheet, dated Nov. 20, 2013, downloaded from <http://www.steelnetwork.com/Product/BridgeBar> on Dec. 31, 2016, 1 pg.
ClarkDietrich Building Systems, TradeReady® Spazzer® 9200 Spacing Bar, Spazzer 9200 (Interior) Bridging and Spacing Bar, Product Submittal Sheet, dated May 20, 2014, 1 pg.
Design U.S. Appl. No. 29/595,006, filed Feb. 24, 2017.
Design U.S. Appl. No. 29/595,012, filed Feb. 24, 2017.

* cited by examiner

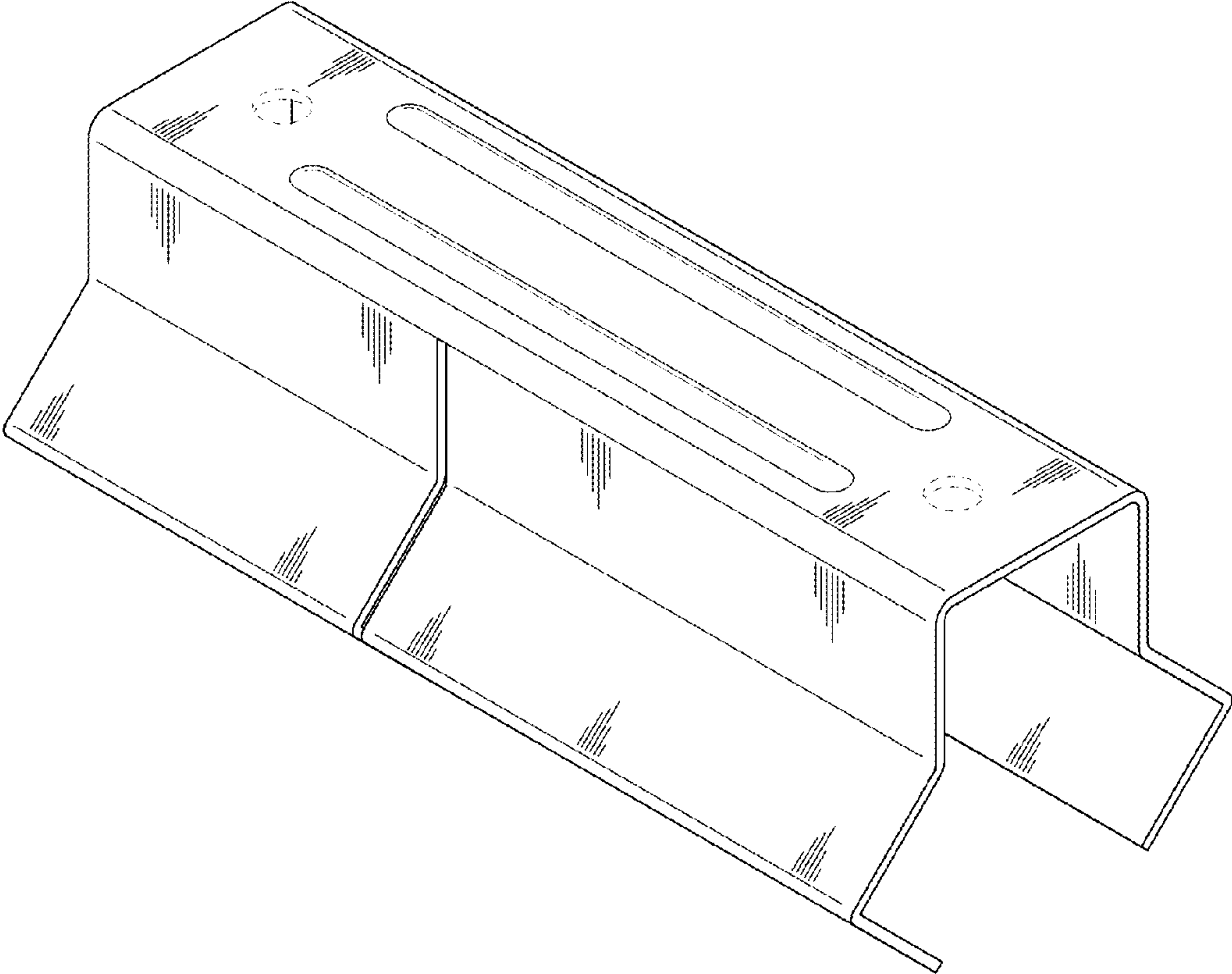


FIG. 1

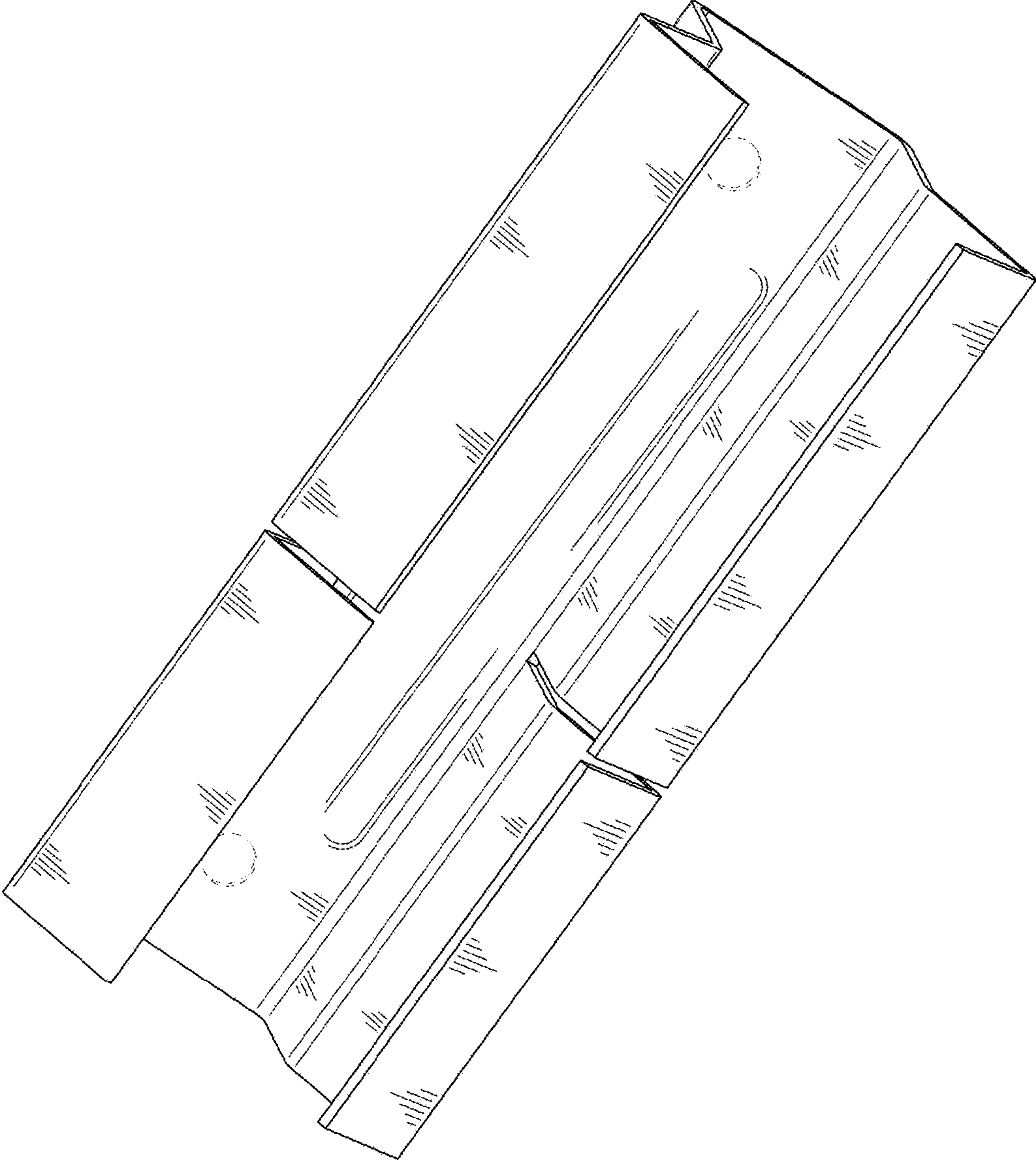


FIG. 2

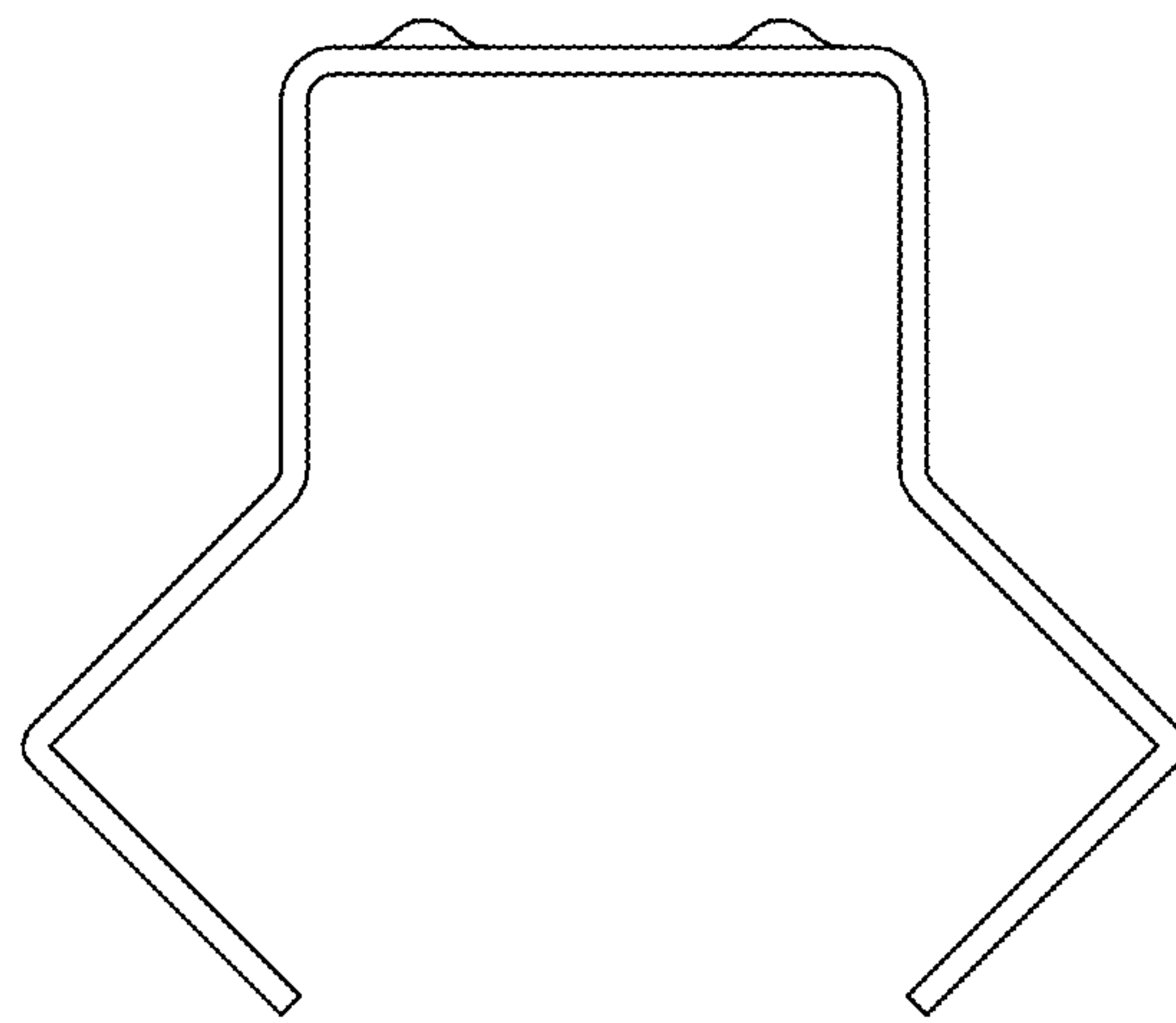


FIG. 3

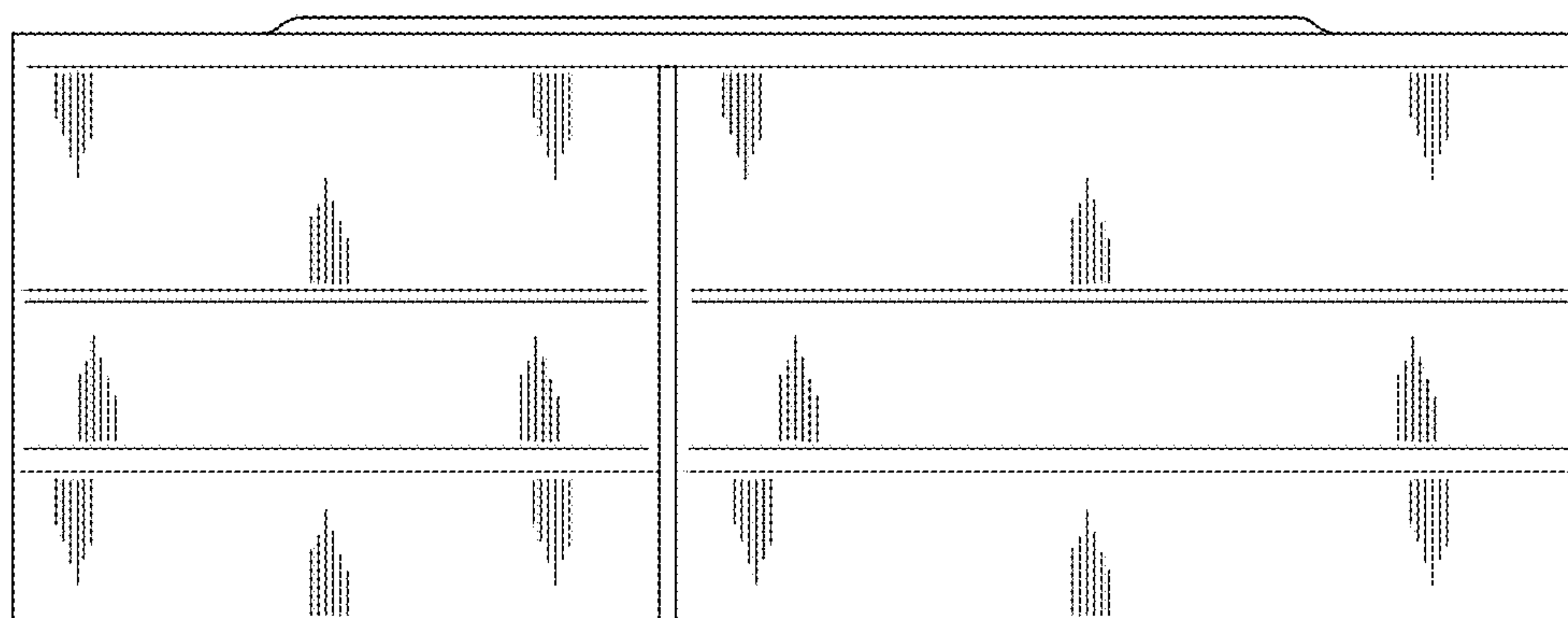


FIG. 4

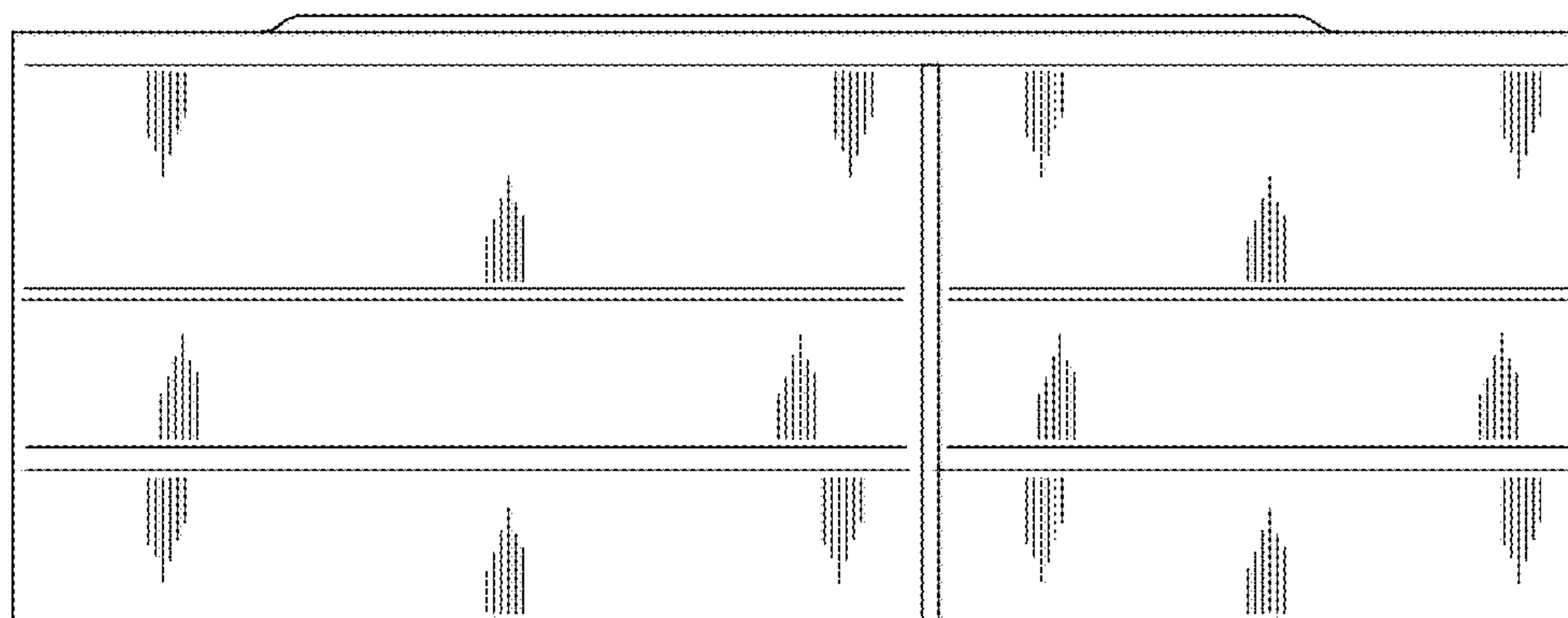


FIG. 5

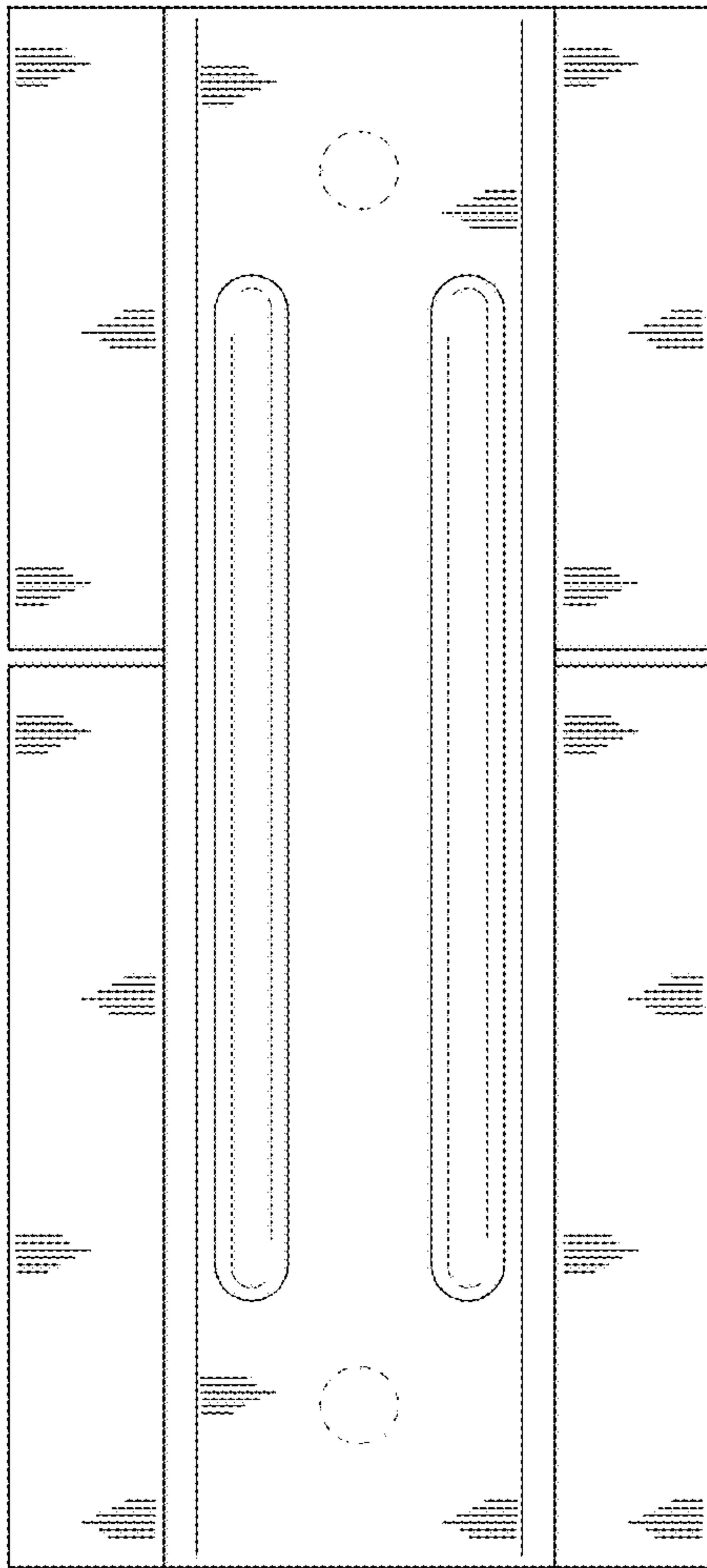


FIG. 6

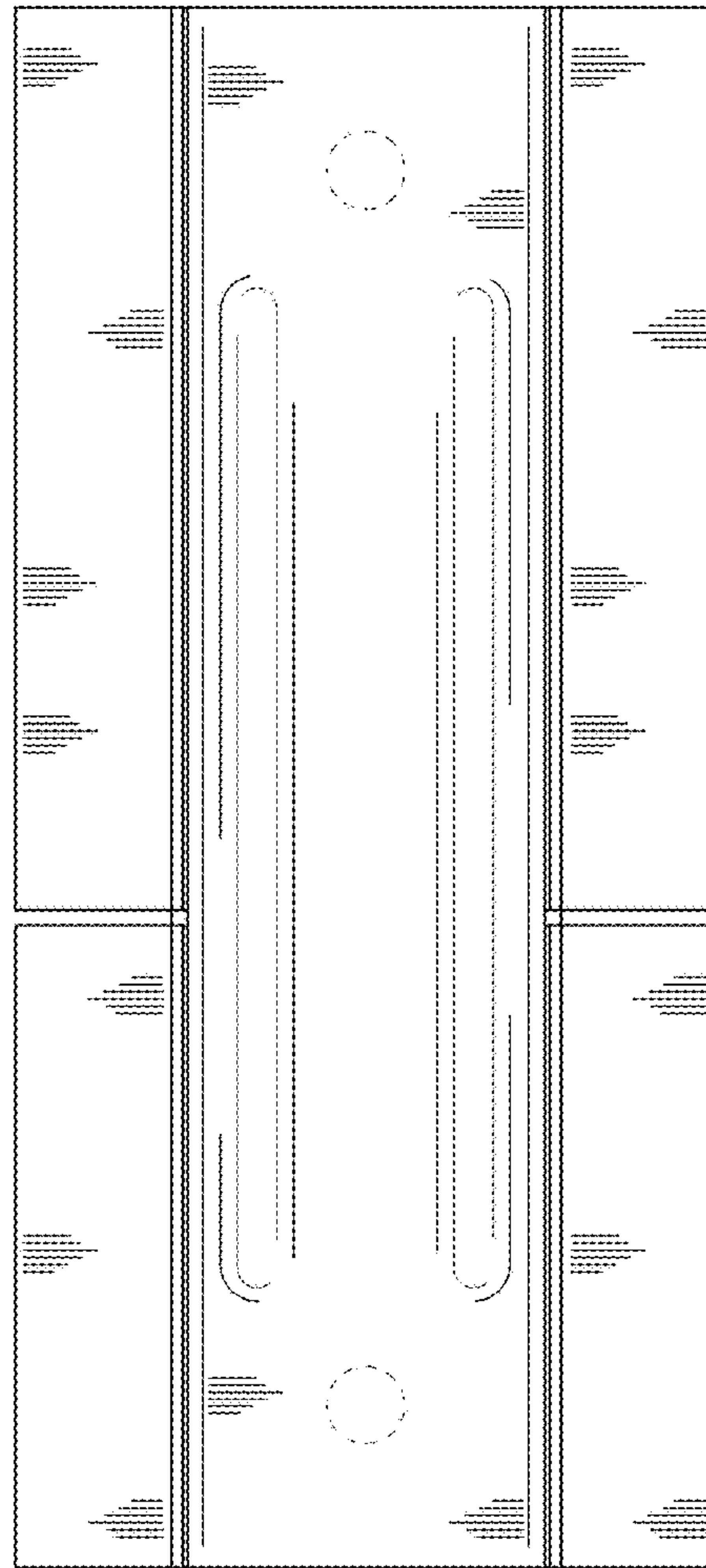


FIG. 7

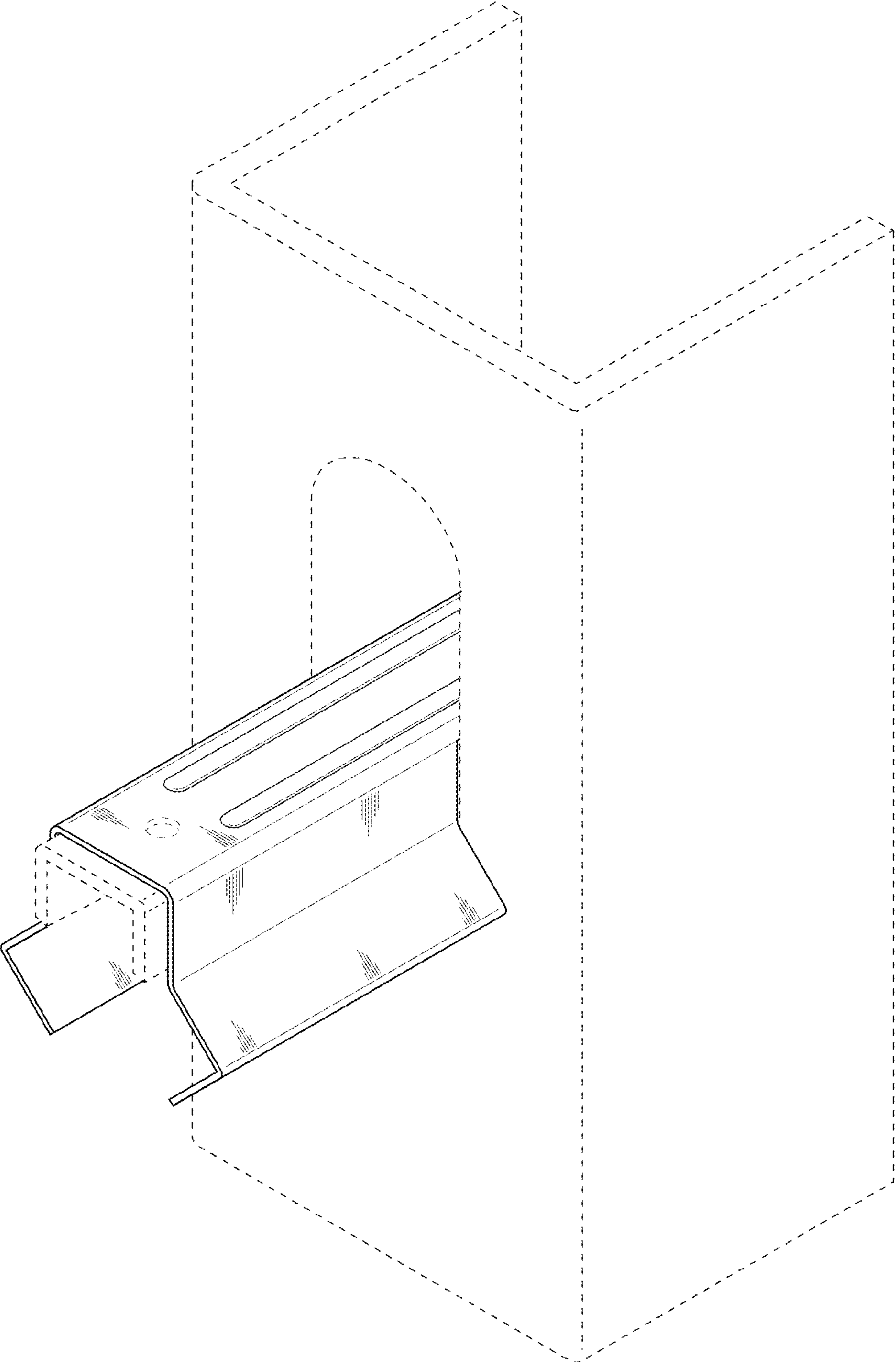


FIG. 8