



US00D823093S

(12) **United States Design Patent** (10) **Patent No.:** **US D823,093 S**  
**Kanter** (45) **Date of Patent:** **\*\* Jul. 17, 2018**

- (54) **VESA MOUNT ADAPTER BRACKET**
- (71) Applicant: **HumanCentric Ventrues LLC**, Skokie, IL (US)
- (72) Inventor: **Simcha Kanter**, Chicago, IL (US)
- (73) Assignee: **HUMANCENTRIC VENTURES LLC**, Skokie, IL (US)
- (\*\*) Term: **15 Years**
- (21) Appl. No.: **29/594,376**
- (22) Filed: **Feb. 17, 2017**
- (51) **LOC (11) Cl.** ..... **08-05**
- (52) **U.S. Cl.**  
USPC ..... **D8/354**
- (58) **Field of Classification Search**  
USPC ..... D8/349, 354, 373, 380; D14/451  
CPC ..... F16M 11/045; F16M 11/048; F16M 13/00  
See application file for complete search history.

- D612,226 S \* 3/2010 Dinh ..... D8/356  
D628,539 S \* 12/2010 Tezak ..... D13/152  
D628,566 S 12/2010 Molter  
D645,902 S 9/2011 Tsai  
D650,987 S 12/2011 Rothbauer  
(Continued)

FOREIGN PATENT DOCUMENTS

- GB 2433196 A \* 6/2007 ..... F16M 11/28

OTHER PUBLICATIONS

VESA Mount Adapter Bracket for Samsung CF591, posted at amazon.com, posting date Mar. 30, 2017, [online], [site visited Mar. 27, 2018]. Available from Internet, URL: <https://www.amazon.com/Adapter-Bracket-Samsung-27-inch-LC27F591FDNXZA/dp/B06XXPJZH1/> (Year: 2017).\*

(Continued)

*Primary Examiner* — George D. Kirschbaum  
*Assistant Examiner* — Maria J Edwards  
(74) *Attorney, Agent, or Firm* — DLA Piper LLP (US)

(56) **References Cited**

U.S. PATENT DOCUMENTS

- D158,122 S 4/1949 Pennington  
5,810,303 A \* 9/1998 Bourassa et al. .... H02G 3/126  
174/58  
D442,469 S \* 5/2001 Roozen ..... D8/354  
6,749,162 B2 \* 6/2004 Nicolides ..... H02G 3/105  
248/231.9  
D504,701 S 5/2005 Chen  
D536,240 S \* 2/2007 Vejmarker ..... D8/354  
D557,126 S 12/2007 Worrall et al.  
D558,560 S 1/2008 Ciungan  
D560,221 S 1/2008 Hoglan et al.  
D560,222 S 1/2008 Anderson  
D560,674 S 1/2008 Wohlford et al.  
D565,938 S 4/2008 Massoumi et al.  
D576,633 S 9/2008 Muday et al.  
D560,677 S 11/2008 Wohlford et al.  
D587,100 S \* 2/2009 Allsopp ..... D8/356  
7,544,889 B1 \* 6/2009 Sanchez ..... H02G 3/126  
174/53

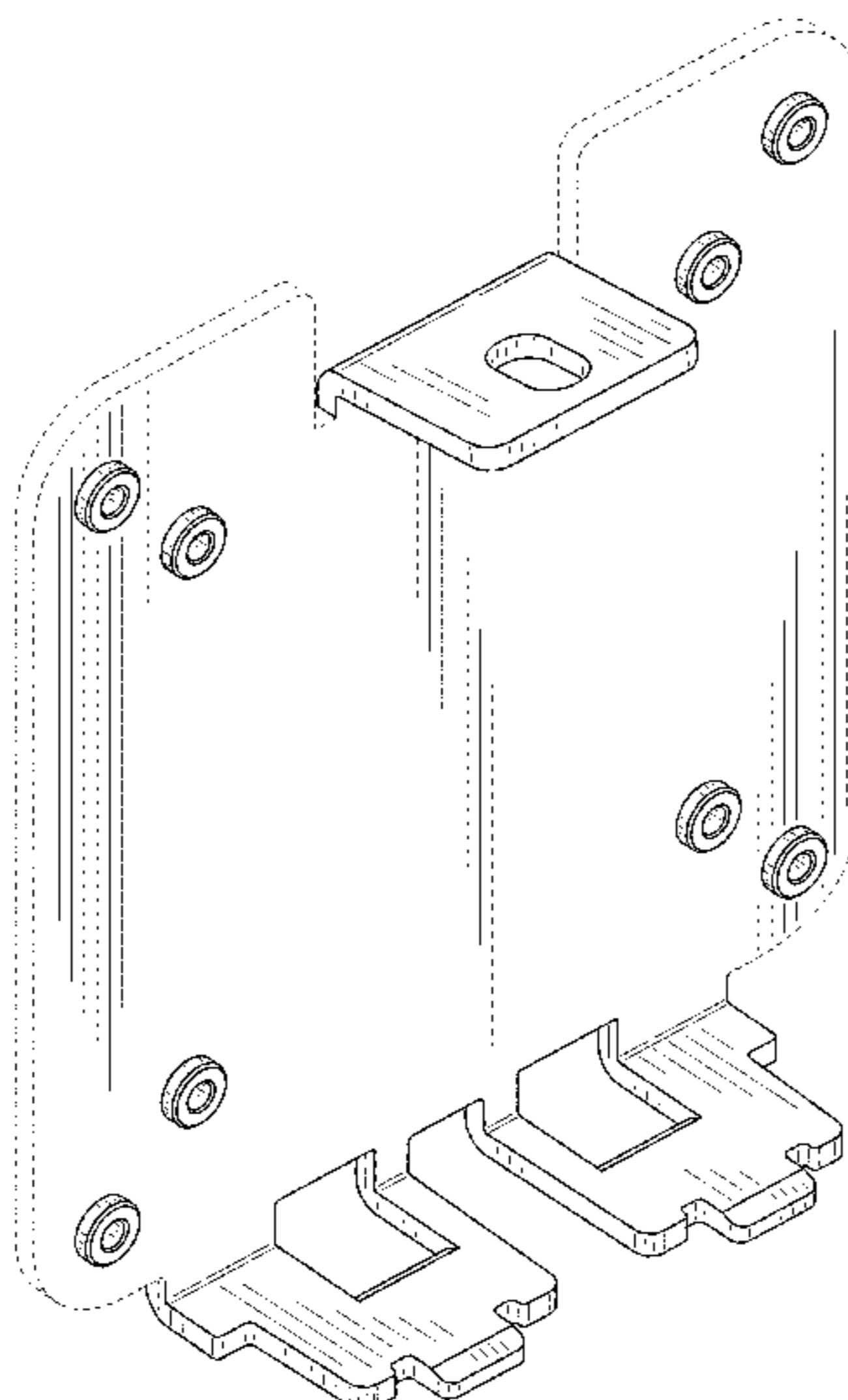
(57) **CLAIM**

The ornamental design for a VESA mount adapter bracket, as shown and described.

**DESCRIPTION**

FIG. 1 is a perspective view of a VESA mount adapter bracket showing my new design;  
FIG. 2 is a front view thereof;  
FIG. 3 is a back view thereof;  
FIG. 4 is a right side view thereof, the left side view being a mirror image of FIG. 4;  
FIG. 5 is a top view thereof; and,  
FIG. 6 is a bottom view thereof.  
The broken lines represent portions of the article and form no part of the claimed design.

**1 Claim, 5 Drawing Sheets**



(56)

References Cited

U.S. PATENT DOCUMENTS

D652,411 S 1/2012 Crawford et al.  
 D667,249 S 9/2012 London  
 D667,288 S \* 9/2012 Preda ..... D8/354  
 D677,263 S 3/2013 Luijben et al.  
 D682,079 S \* 5/2013 Chou ..... D8/380  
 D688,670 S 8/2013 Huang  
 8,511,032 B2 \* 8/2013 Abdel-Rahman ..... E04B 2/88  
 248/228.1  
 D689,045 S 9/2013 Mardas  
 RE44,515 E 10/2013 Ciungan et al.  
 RE44,740 E 2/2014 Ciungan  
 D729,611 S \* 5/2015 Schmidt ..... D8/349  
 D743,955 S 11/2015 Wu  
 D749,399 S \* 2/2016 Jenkins ..... D8/354  
 D750,603 S \* 3/2016 Venghaus ..... D14/238  
 D760,066 S \* 6/2016 Krenek ..... D8/354  
 D761,236 S 7/2016 Wengreen  
 D767,575 S 9/2016 Green  
 D769,024 S 10/2016 Montoya  
 D788,951 S \* 6/2017 Lopez ..... D25/199  
 D789,565 S \* 6/2017 Lopez ..... D25/199  
 D794,420 S \* 8/2017 Emmons ..... D8/349  
 D794,424 S \* 8/2017 Thompson ..... D8/354  
 D807,152 S \* 1/2018 Hansen ..... D8/354  
 D810,091 S 2/2018 Cho  
 D813,020 S 3/2018 DeDios-Shirley

9,929,549 B2 \* 3/2018 Witherbee ..... H02G 3/125  
 2012/0025046 A1 \* 2/2012 Yen ..... F16M 11/045  
 248/298.1  
 2015/0264823 A1 9/2015 Shirley

OTHER PUBLICATIONS

VESA Mount Adapter Bracket for Samsung Monitors, posted at amazon.com, posting date Oct. 26, 2015, [online], [site visited Mar. 27, 2018]. Available from Internet, URL: <https://www.amazon.com/Monitors-S27D390H-S24D390HL-S27D360H-S24D360HL/dp/B01771PV3K/> (Year: 2015).\*

VESA Mount Adapter for Acer H2 Monitors, posted at amazon.com, posting date Mar. 22, 2016, [online], [site visited Mar. 27, 2018]. Available from Internet, URL: <https://www.amazon.com/Mount-Adapter-H277HU-H257HU-Monitors/dp/B01DAYRVG8/> (Year: 2016).\*

VESA Mount Adapter for Asus MX Monitors, posted at amazon.com, posting date Feb. 3, 2016, [online], [site visited Mar. 27, 2018]. Available from Internet, URL: <https://www.amazon.com/Adapter-Monitors-MX239H-MX259H-MX279H/dp/B01BFWROZU/> (Year: 2016).\*

VESA Mount Adapter for Asus VX-Series Monitors, posted at amazon.com, posting date Mar. 22, 2016, [online], [site visited Mar. 28, 2018]. Available from Internet, URL: <https://www.amazon.com/Adapter-SE2416HX-SE2717HX-SE2717H-SE2417HG/dp/B01DAYR3ZM/> (Year: 2016).

\* cited by examiner

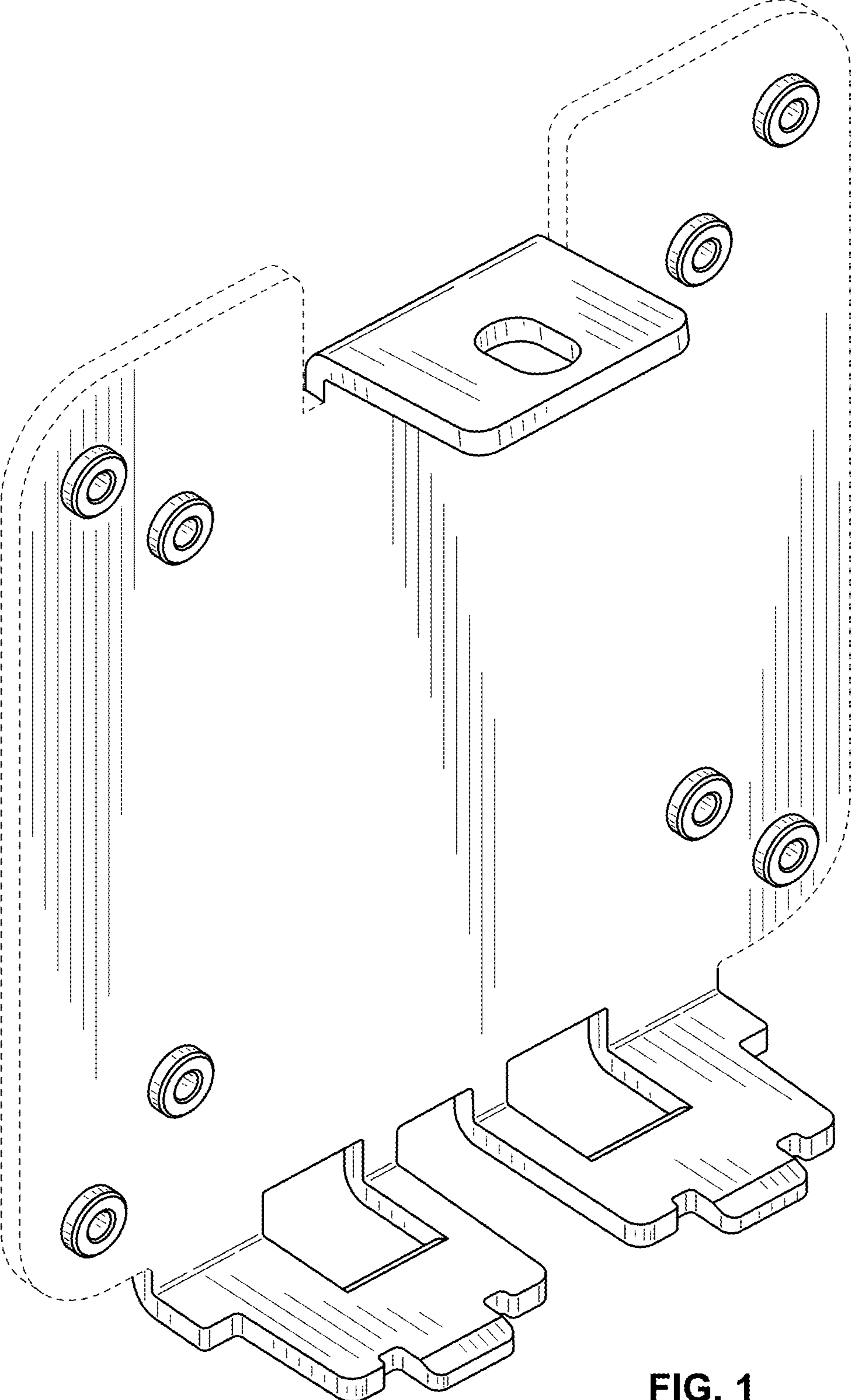


FIG. 1



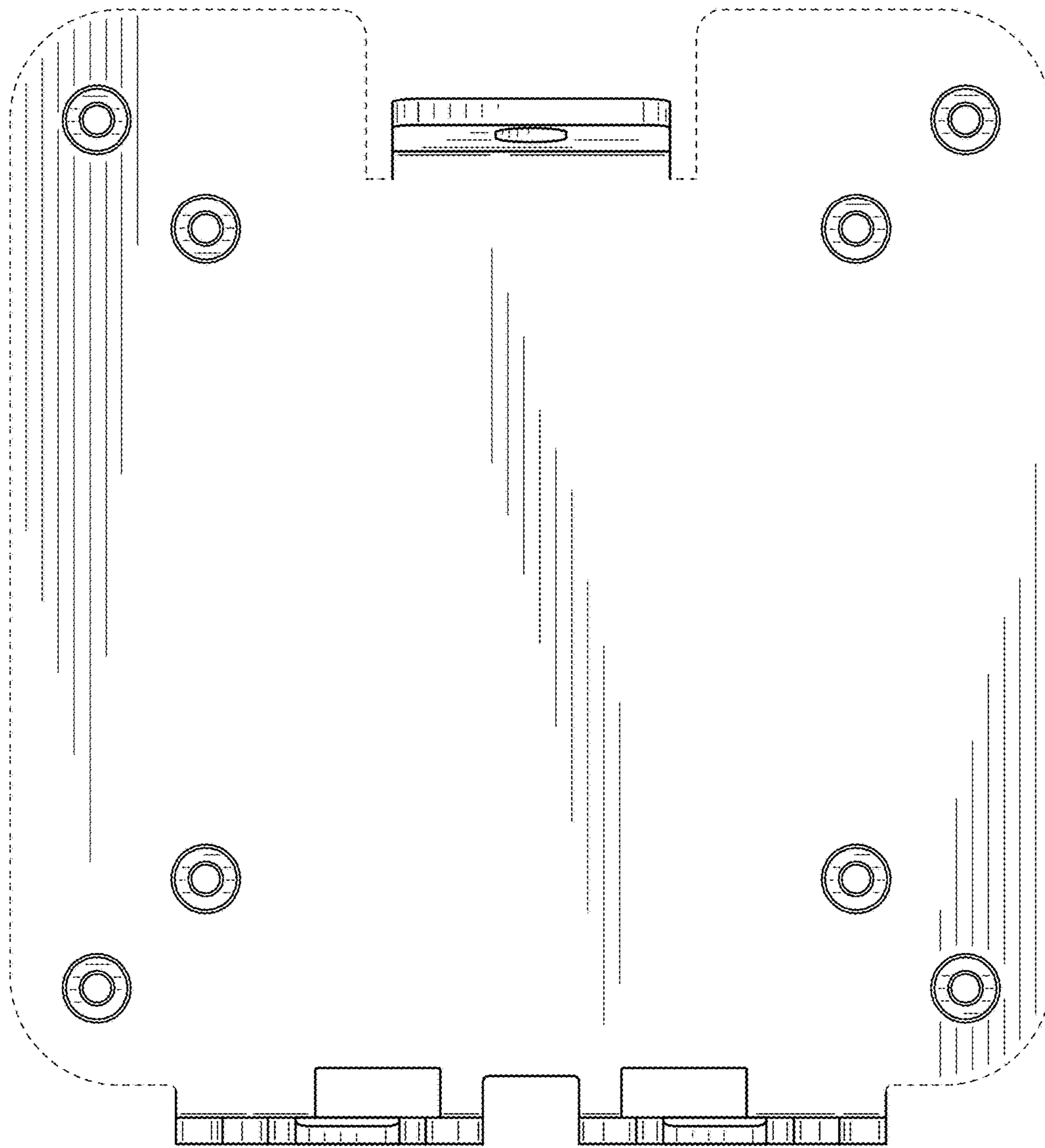


FIG. 2

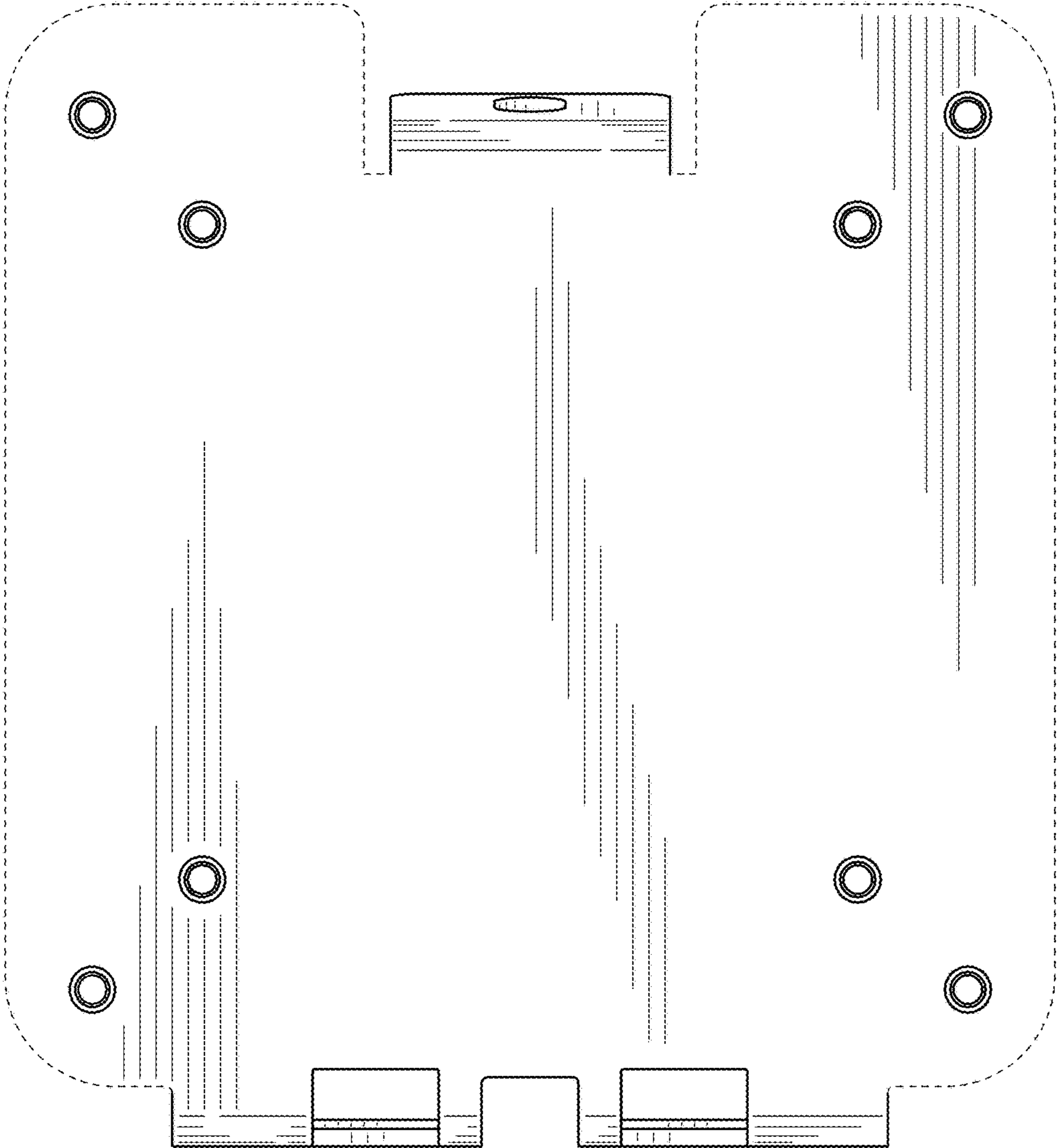


FIG. 3

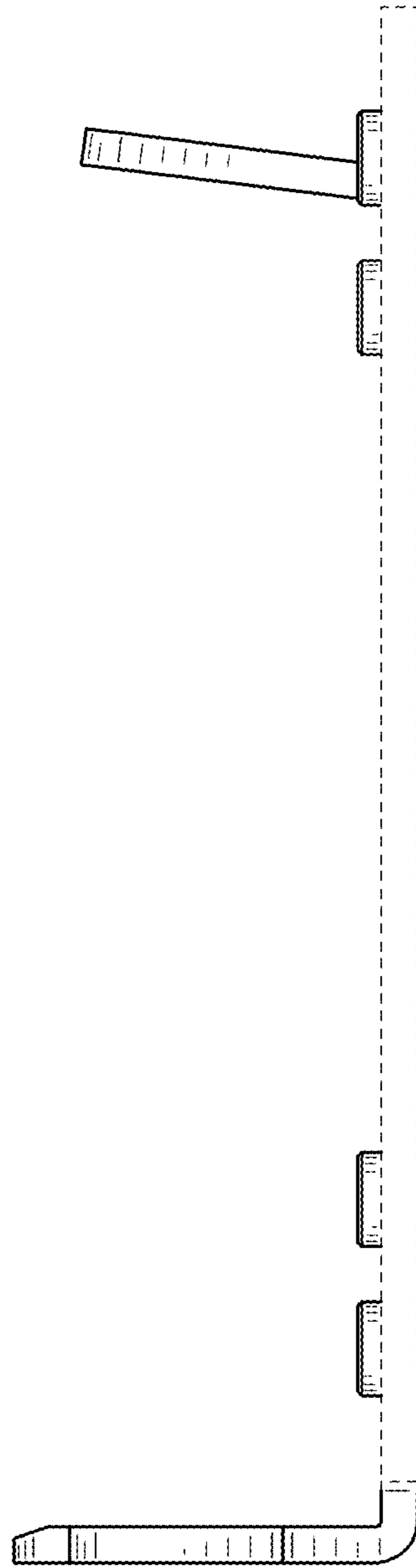


FIG. 4

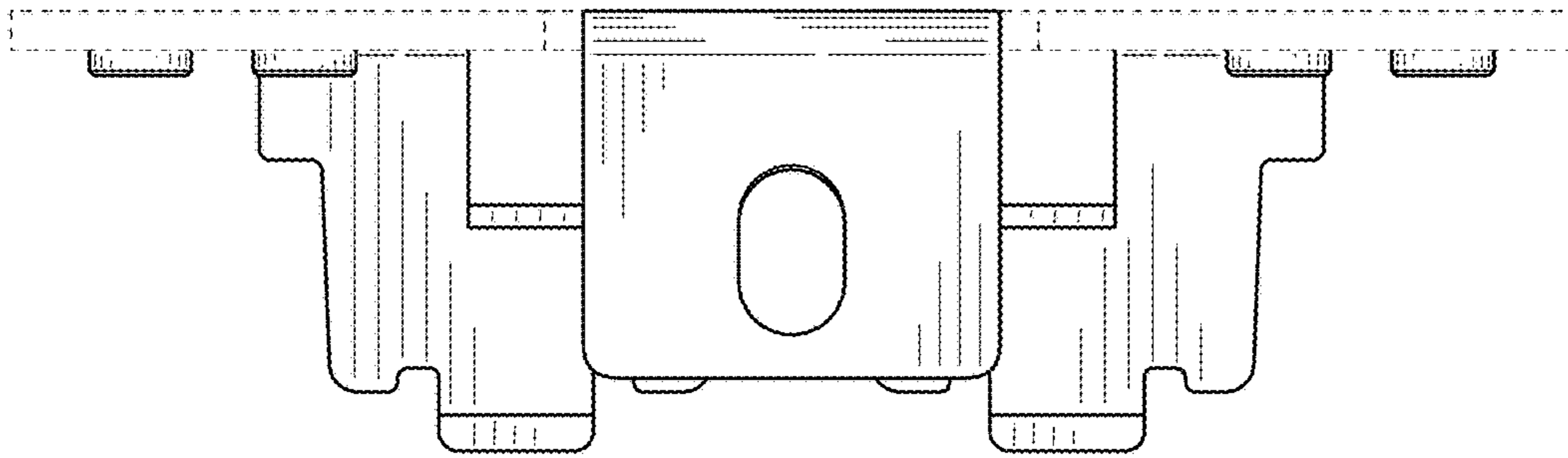


FIG. 5

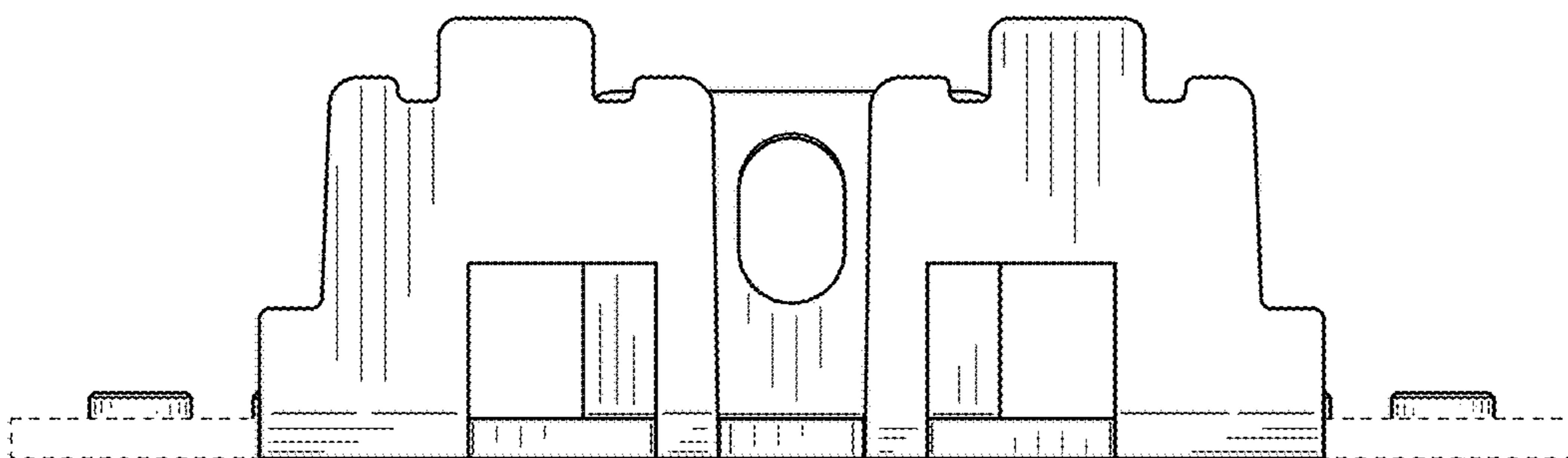


FIG. 6

(12) **POST-GRANT REVIEW CERTIFICATE** (177th)

**United States Patent  
Kanter**

(10) **Number:** **US D823,093 J1**  
(45) **Certificate Issued:** **May 14, 2021**

---

(54) **VESA MOUNT ADAPTER BRACKET**

(71) Applicant: **Simcha Kanter**

(72) Inventor: **Simcha Kanter**

(73) Assignee: **HUMANCENTRIC VENTURES  
LLC**

**Trial Number:**

PGR2019-00030 filed Jan. 15, 2019

**Post-Grant Review Certificate for:**

Patent No.: **D823,093**

Issued: **Jul. 17, 2018**

Appl. No.: **29/594,376**

Filed: **Feb. 17, 2017**

The results of PGR2019-00030 are reflected in this post-grant review certificate under 35 U.S.C. 328(b).



**POST-GRANT REVIEW CERTIFICATE**  
**U.S. Patent D823,093 J1**  
**Trial No. PGR2019-00030**  
**Certificate Issued May 14, 2021**

**1**

**2**

AS A RESULT OF THE POST-GRANT REVIEW  
PROCEEDING, IT HAS BEEN DETERMINED  
THAT:

The claim is cancelled.

5

\* \* \* \* \*