



US00D823091S

(12) **United States Design Patent** (10) **Patent No.:** **US D823,091 S**
Burchard (45) **Date of Patent:** **** Jul. 17, 2018**

(54) **HANDLE FOR A PRESSURE WASHER HOSE**

(56) **References Cited**

(71) Applicant: **Alfred Kaercher GmbH & Co. KG,**
Winnenden (DE)

U.S. PATENT DOCUMENTS

(72) Inventor: **Jochen Burchard,** Schwaebisch
Gmuend (DE)

D284,259 S * 6/1986 Oury D8/107
D459,186 S * 6/2002 Chang D8/83
D487,690 S * 3/2004 Hu D8/83
D513,378 S * 1/2006 Lin D8/83
D534,052 S * 12/2006 Lin D8/107
D534,413 S * 1/2007 Higashi D8/303
7,938,045 B2 * 5/2011 Itoh B25B 15/02
81/177.4

(73) Assignee: **Alfred Kaercher GmbH & Co. KG,**
Winnenden (DE)

D655,594 S * 3/2012 Robinson D8/107
D687,689 S * 8/2013 Lai D8/25
D691,014 S * 10/2013 Hyma D8/83
D803,984 S * 11/2017 Tschopp D23/226
2004/0129107 A1 * 7/2004 Wu B62K 21/26
74/551.9
2010/0095812 A1 * 4/2010 Lai B25B 23/0042
81/438

(**) Term: **15 Years**

(21) Appl. No.: **29/575,084**

(22) Filed: **Aug. 22, 2016**

(30) **Foreign Application Priority Data**

(Continued)

Mar. 9, 2016 (WO) 965131401

(51) **LOC (11) Cl.** **08-06**

(52) **U.S. Cl.**

USPC **D8/303**; D32/25

(58) **Field of Classification Search**

USPC D8/107, 300, 303, 307, 310, 321, 322;
D23/250-254; D7/393, 394, 395, 396;
D32/16, 25

CPC Y10T 16/469; Y10T 16/44; Y10T 16/466;
Y10T 16/4713; Y10T 16/459; Y10T
74/20828; Y10T 29/49826; Y10T
74/20732; Y10T 16/4559; Y10T
74/20864; Y10T 74/20822; A47L 13/022;
A47L 1/06; A47L 13/20; A47L 11/4075;
B25G 1/10; B25G 1/00; B25G 3/04;
B25G 3/00; Y10S 16/12; Y10S 16/19;
Y10S 16/41; Y10S 16/90; Y10S 16/40;
A46B 5/026; A46B 2200/302; A46B
5/021

See application file for complete search history.

OTHER PUBLICATIONS

Alfred Kaercher GmbH & Co. KG, photograph of a handle for a pressure washer hose, 1 page, date unknown.

Primary Examiner — Lauren R Calve

(74) *Attorney, Agent, or Firm* — Lipsitz & McAllister, LLC

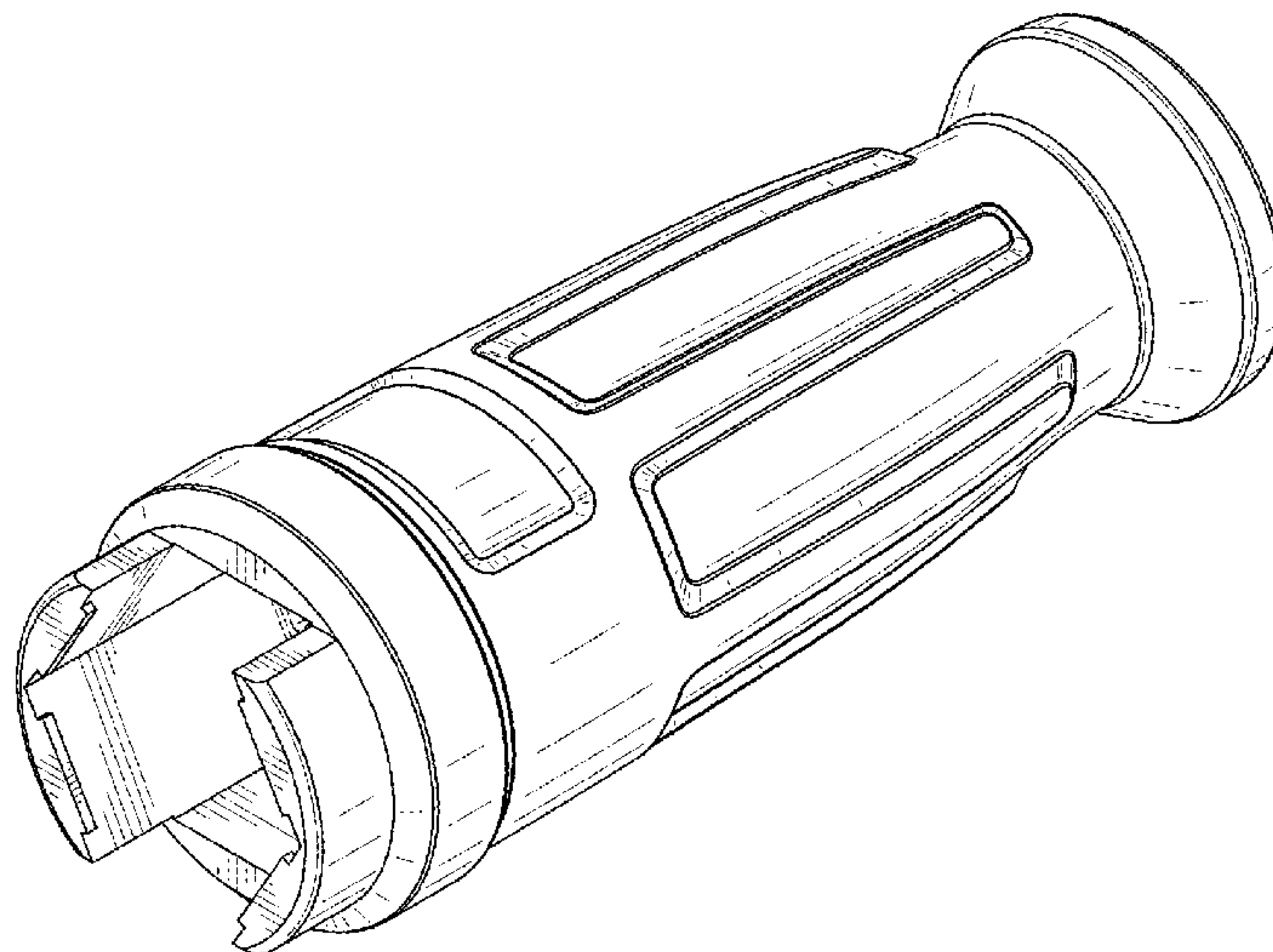
(57) **CLAIM**

The ornamental design for a handle for a pressure washer hose, as shown and described.

DESCRIPTION

FIG. 1 is a front, top and right side perspective view of a handle for a pressure washer hose showing the new design; FIG. 2 is a front, top and left side perspective view thereof; FIG. 3 is a front elevational view thereof; FIG. 4 is a right side elevational view thereof; FIG. 5 is a rear elevational view thereof; FIG. 6 is a left side elevational view thereof; and, FIG. 7 is a top plan view thereof.

1 Claim, 7 Drawing Sheets



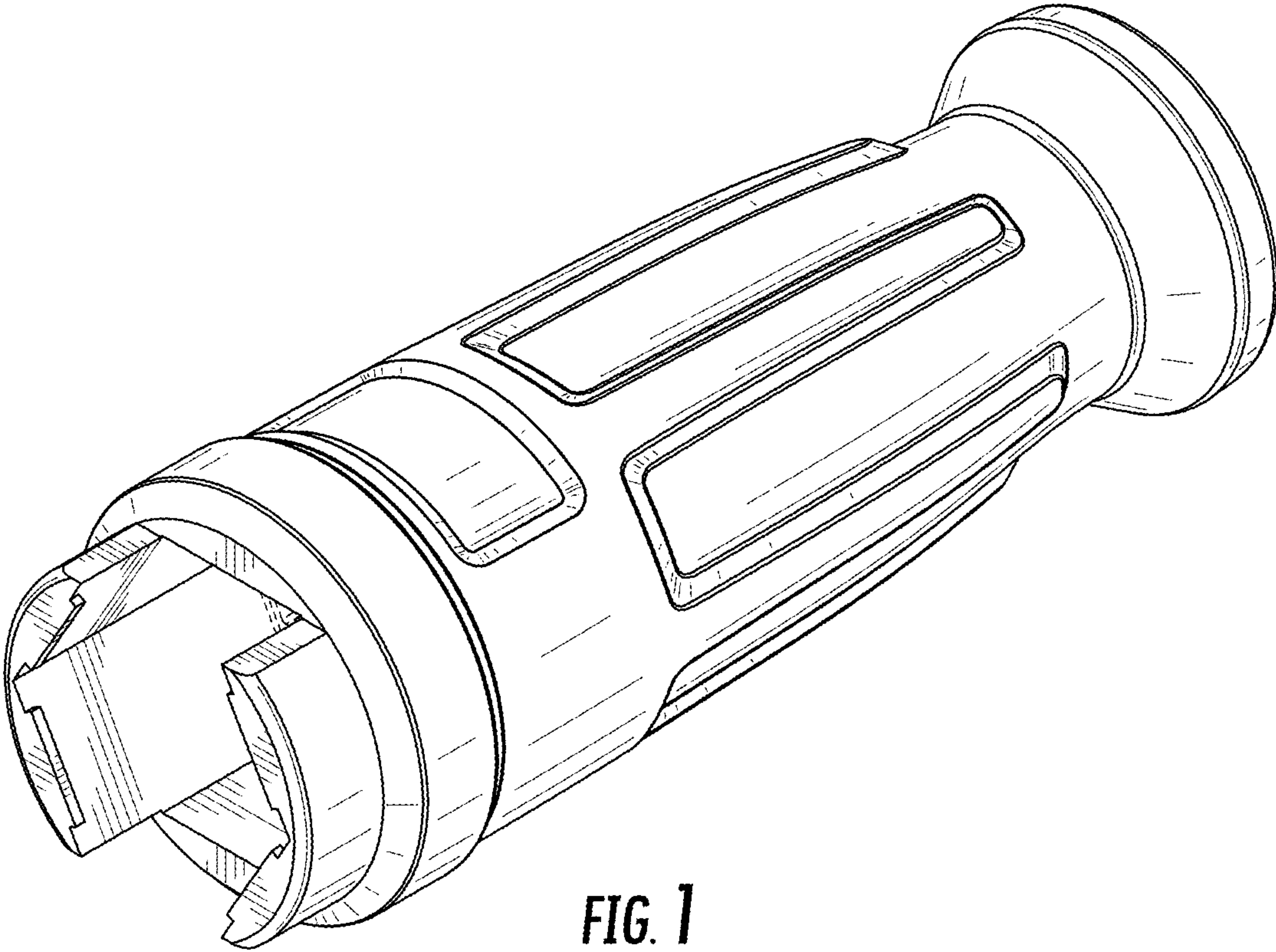
(56)

References Cited

U.S. PATENT DOCUMENTS

2017/0211735 A1* 7/2017 Papafagos F16L 21/08
2017/0297192 A1* 10/2017 Ou B25G 1/102

* cited by examiner



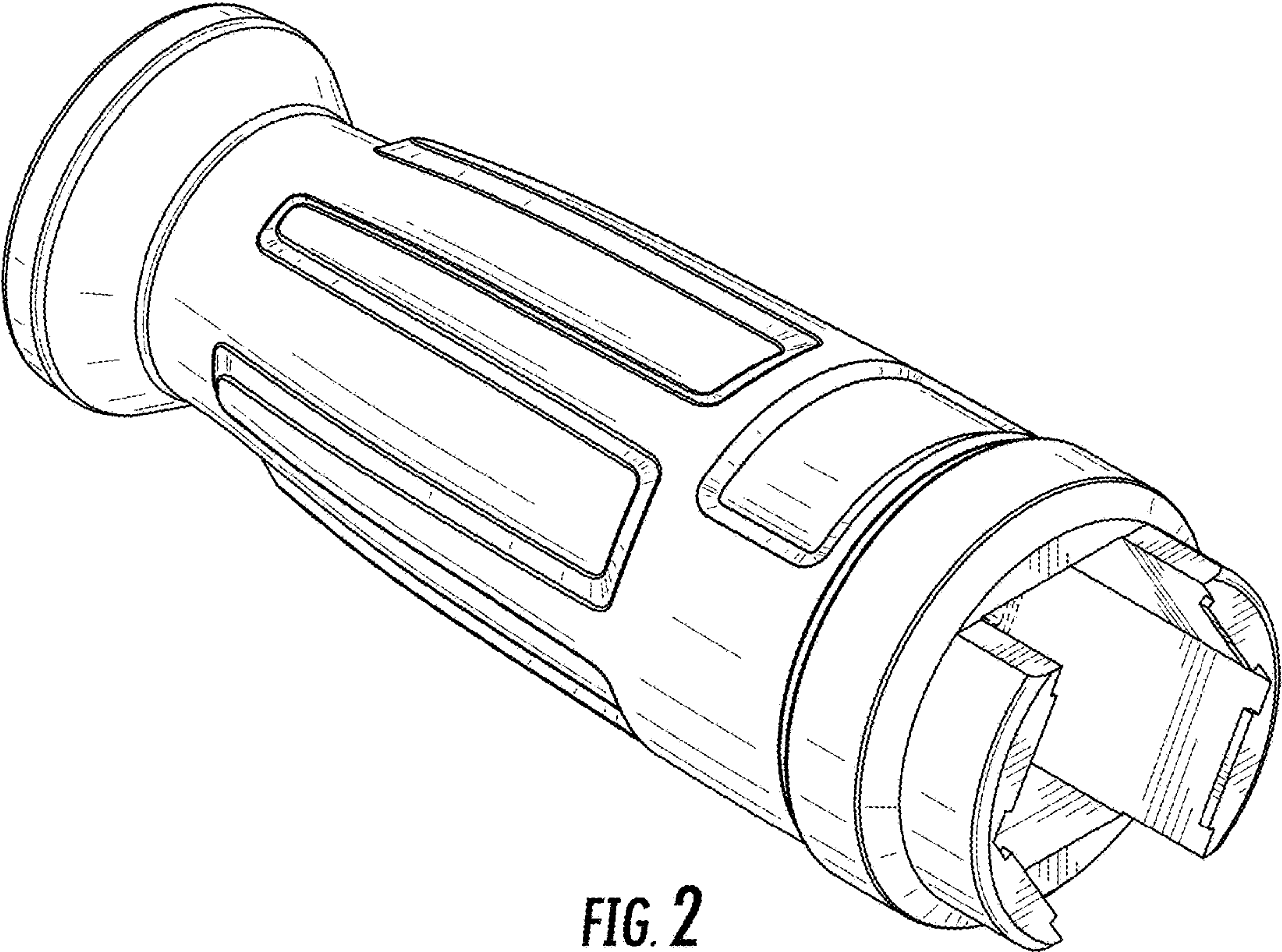


FIG. 2

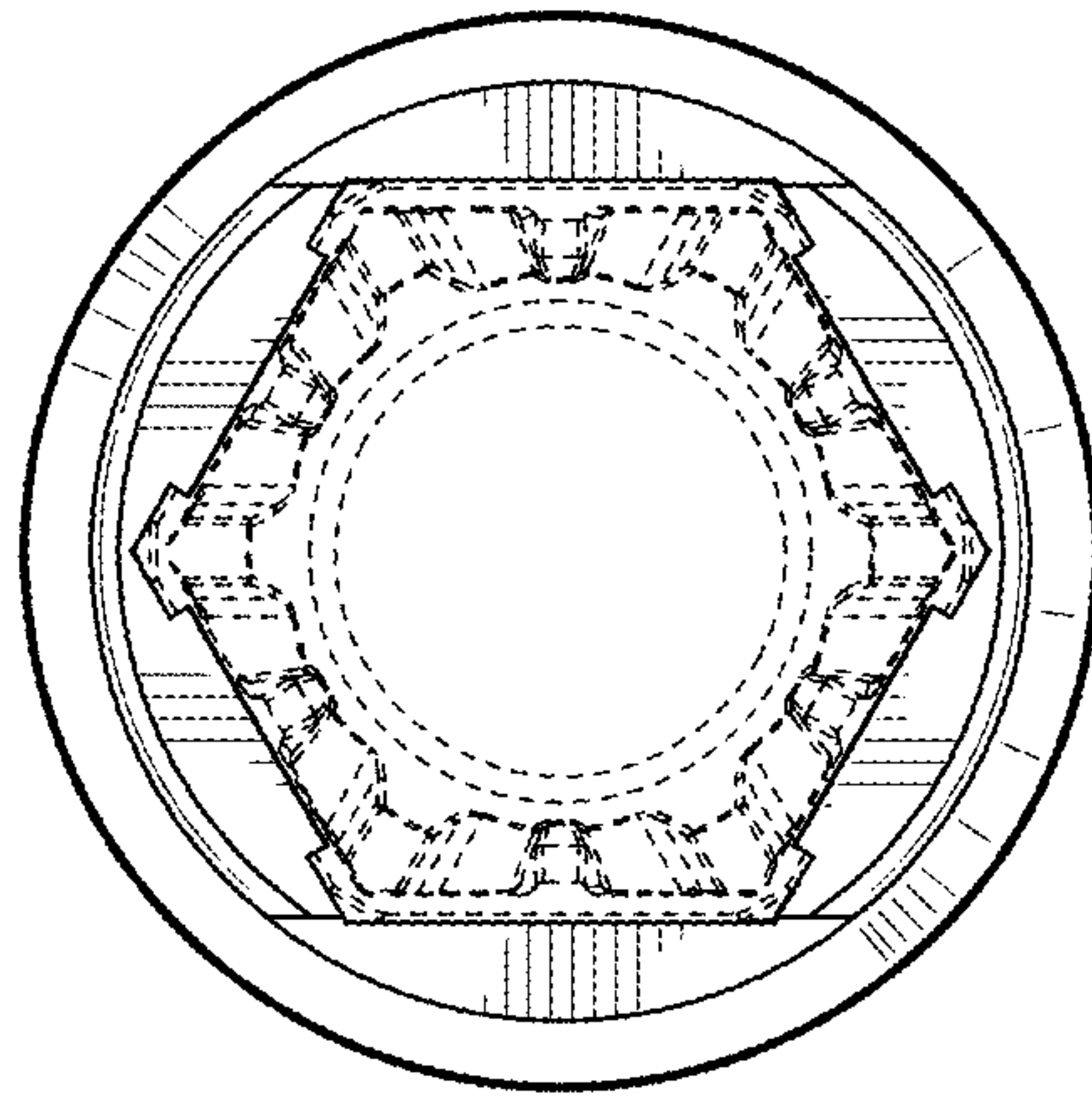


FIG. 3

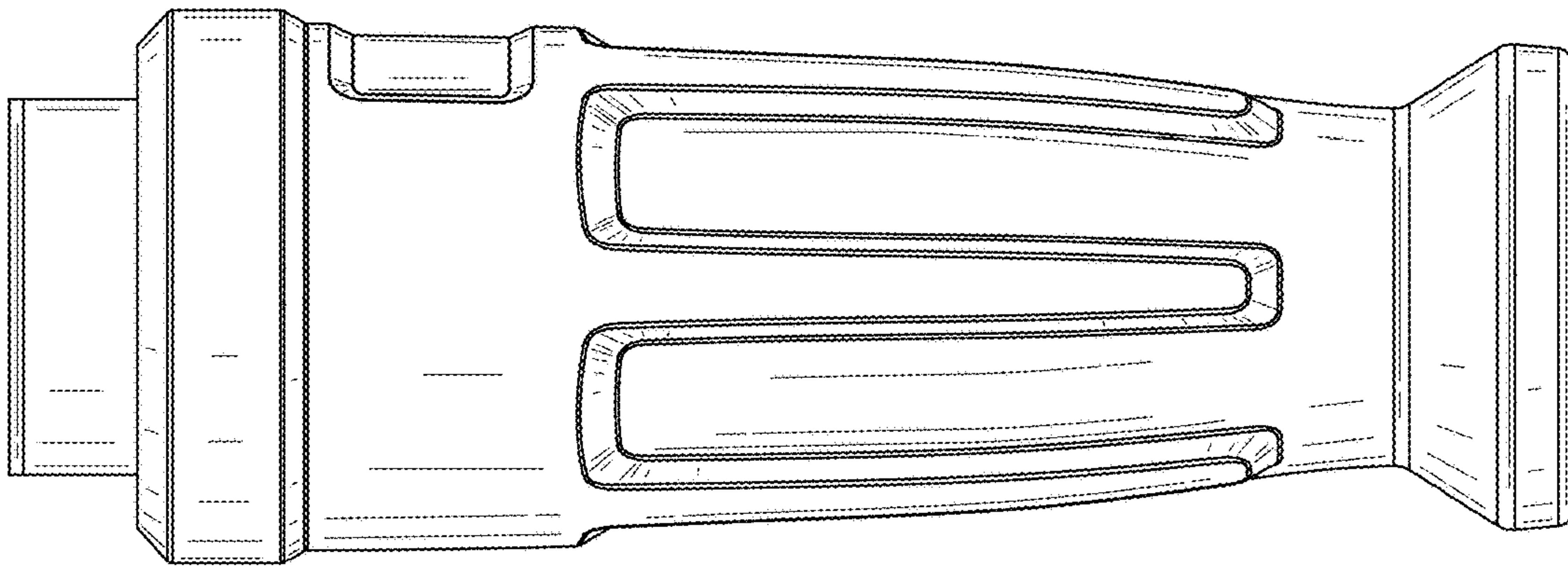


FIG. 4

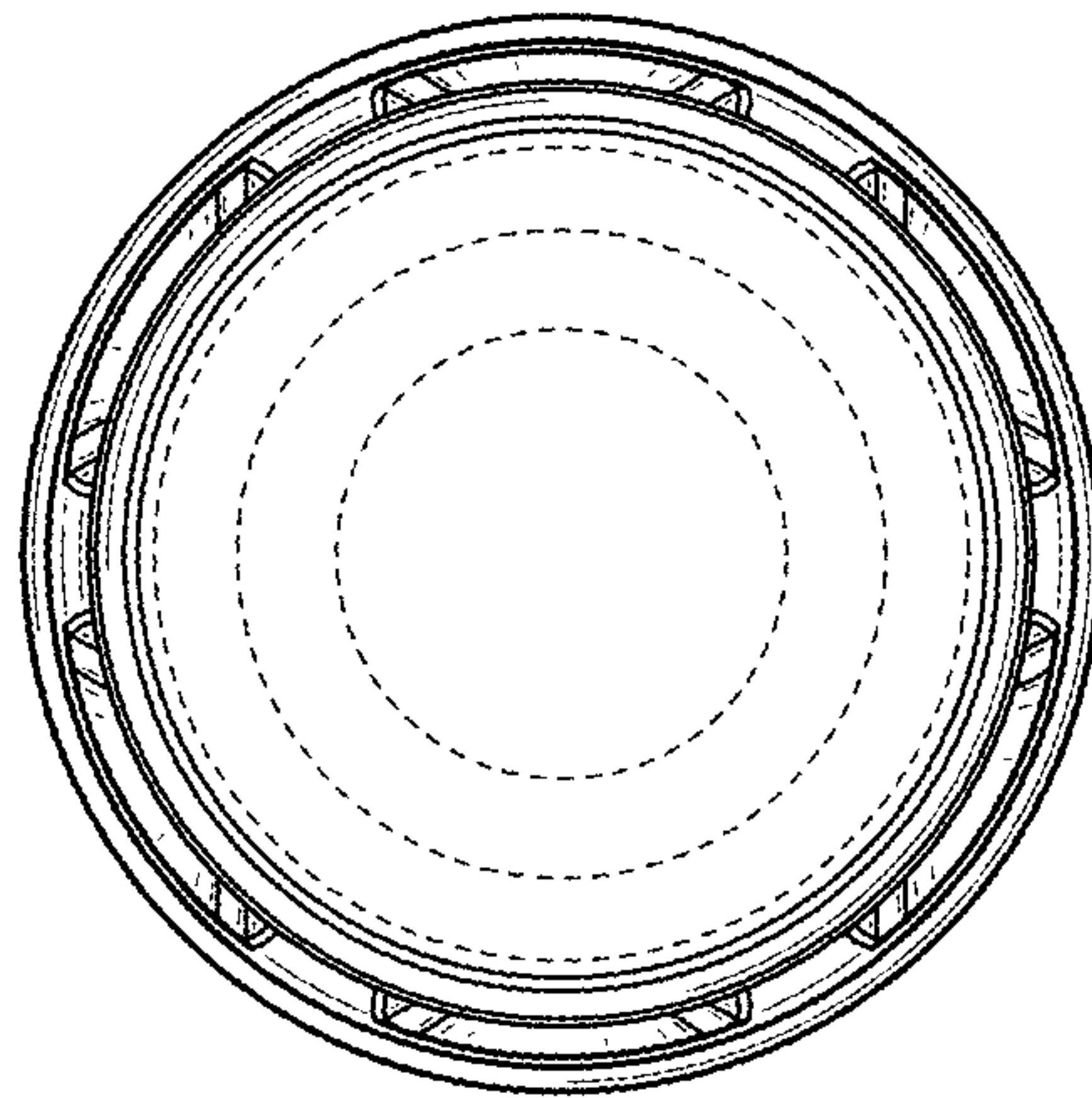


FIG. 5

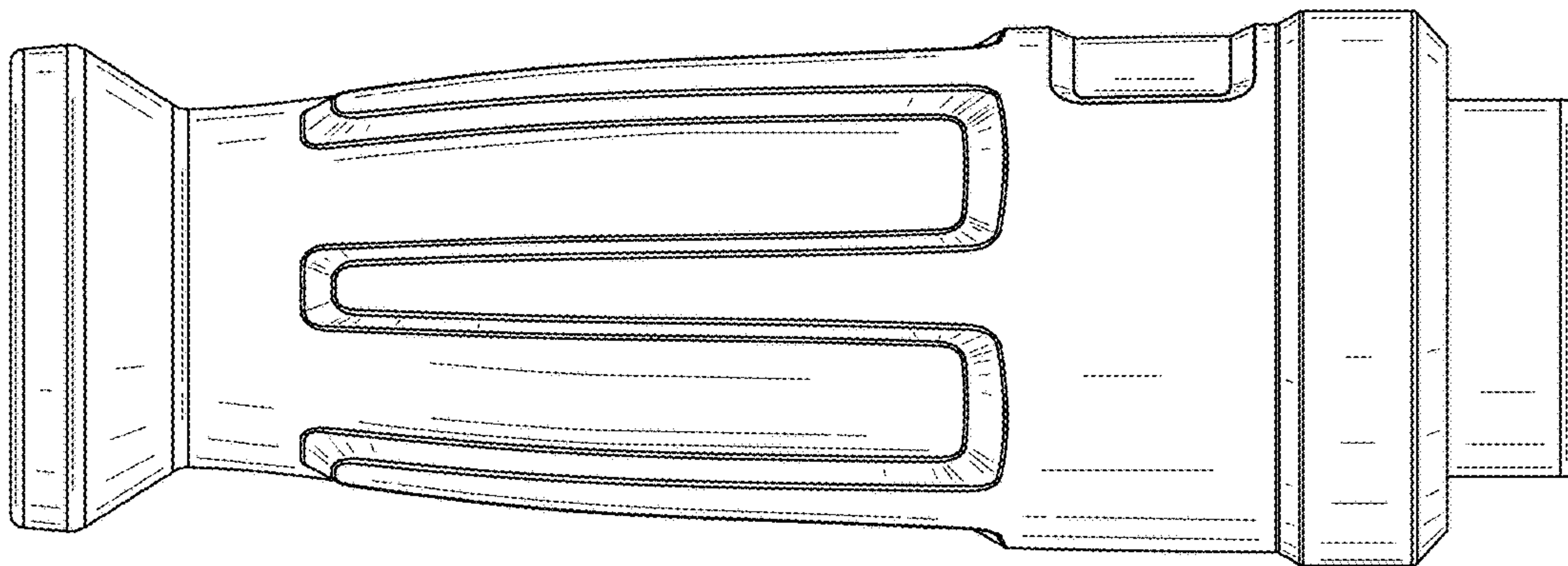


FIG. 6

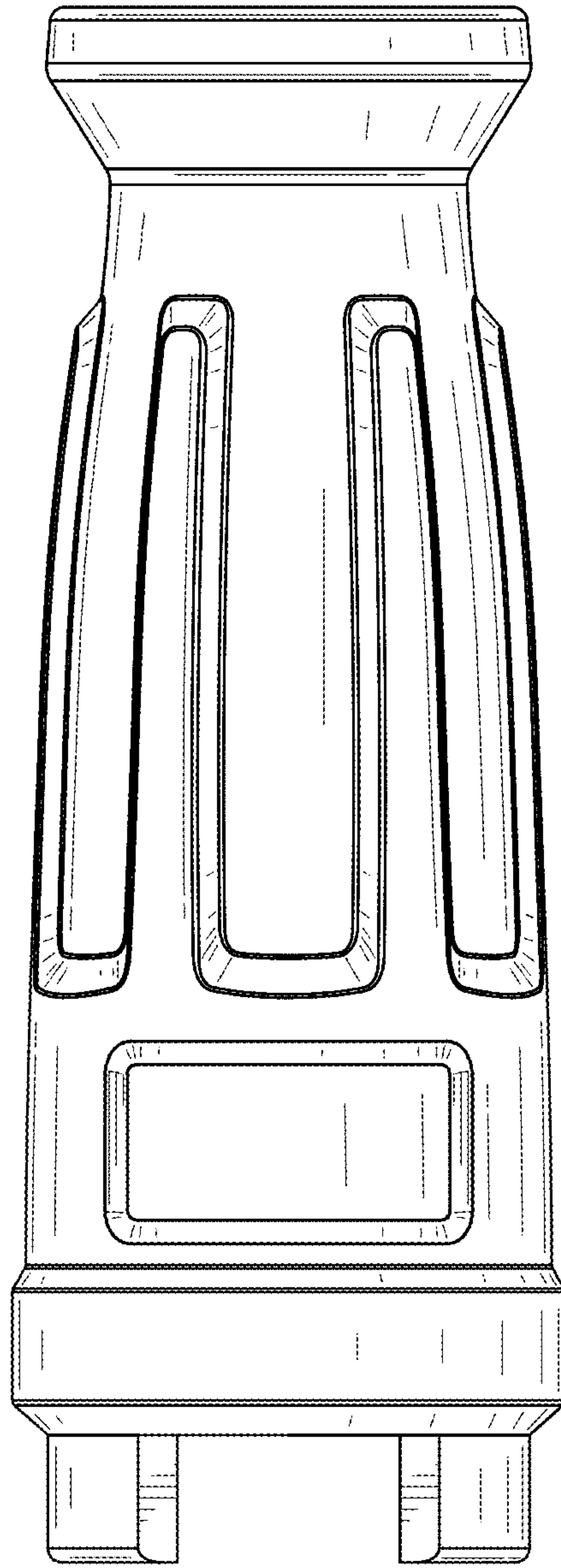


FIG. 7

UNITED STATES PATENT AND TRADEMARK OFFICE
CERTIFICATE OF CORRECTION

PATENT NO. : D823,091 S
APPLICATION NO. : 29/575084
DATED : July 17, 2018
INVENTOR(S) : Burchard

Page 1 of 1

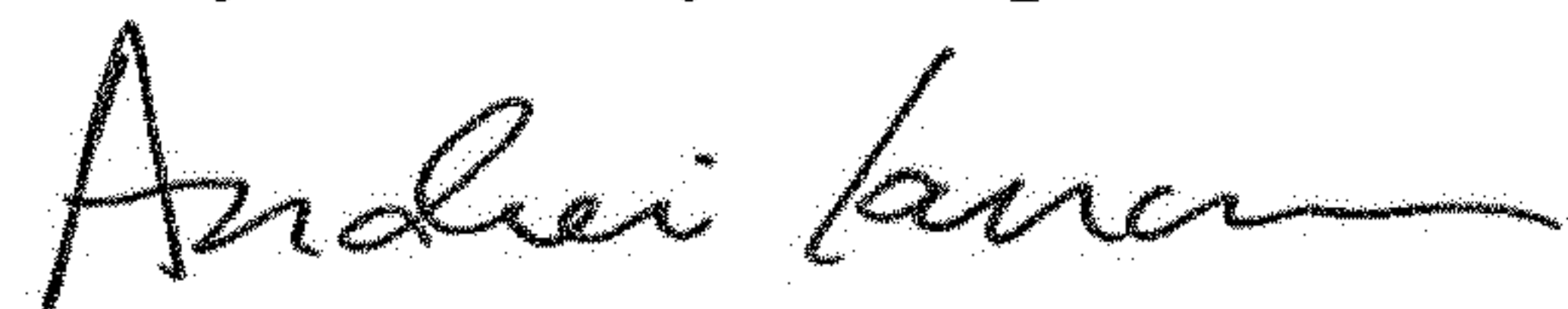
It is certified that error appears in the above-identified patent and that said Letters Patent is hereby corrected as shown below:

On the Title Page

The following language is added after the description of the Figures:

The broken line showing of various elements in Figures 1-3 and 5 forms no part of the claimed design.

Signed and Sealed this
Twenty-fifth Day of September, 2018



Andrei Iancu
Director of the United States Patent and Trademark Office