



US00D823090S

(12) **United States Design Patent**
Ruha et al.

(10) **Patent No.:** **US D823,090 S**
(45) **Date of Patent:** **** Jul. 17, 2018**

(54) **TOOL HANDLE**

(71) Applicant: **WARNER MANUFACTURING COMPANY**, Minneapolis, MN (US)

(72) Inventors: **David J. Ruha**, New Hope, MN (US);
Benjamin E. Nielsen, Columbus, MN (US)

(73) Assignee: **WARNER MANUFACTURING COMPANY**, Minneapolis, MN (US)

(**) Term: **15 Years**

(21) Appl. No.: **29/559,846**

(22) Filed: **Mar. 31, 2016**

(51) **LOC (11) Cl.** **08-05**

(52) **U.S. Cl.**
USPC **D8/107**

(58) **Field of Classification Search**
USPC D8/14, 300, 107, 95, 97, 75, 80, 45, 46,
D8/47, 82, 83, 98; D32/46, 52, 49;
D7/395; D4/138

CPC Y10T 16/44; Y10T 16/498; B25G 1/05;
B25G 1/125; B25G 1/04; B25G 3/26;
A45B 9/02; B25B 13/48

See application file for complete search history.

(56) **References Cited**

U.S. PATENT DOCUMENTS

D233,122 S * 10/1974 Fauzza D7/652
D354,881 S * 1/1995 Huff D7/401.2
D375,243 S * 11/1996 Hasegawa D22/118

D391,127 S * 2/1998 Yeh D8/107
D394,194 S * 5/1998 Brunsdon D19/65
D394,592 S * 5/1998 Brunsdon D19/65
D411,725 S * 6/1999 Matthes D8/50
D428,571 S * 7/2000 Wen D8/107
D436,829 S * 1/2001 Benktzon D8/107
D470,732 S * 2/2003 Wu D8/5
D481,291 S * 10/2003 Hernandez, Jr. D8/107
D564,329 S * 3/2008 Hsieh D8/107
D656,378 S * 3/2012 Islas D8/80
D689,356 S * 9/2013 Yang D8/107
D694,064 S * 11/2013 Costa D7/401.2
D699,526 S * 2/2014 Wang D8/5
D719,808 S * 12/2014 Musser D8/107

* cited by examiner

Primary Examiner — Phillip S Hyder

(74) *Attorney, Agent, or Firm* — Hamre, Schumann,
Mueller & Larson, P.C.

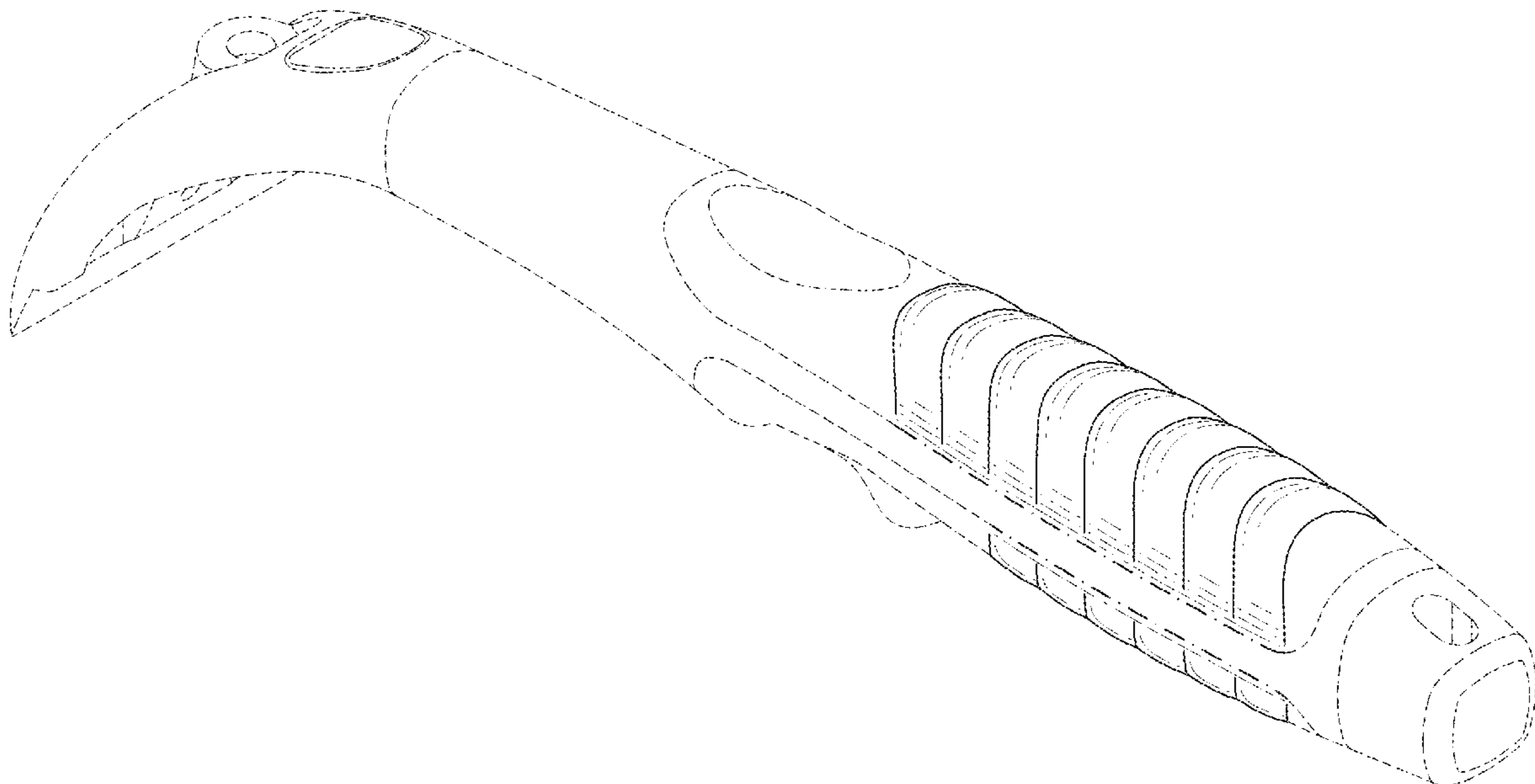
(57) **CLAIM**

The ornamental design for a tool handle, as shown.

DESCRIPTION

FIG. 1 is a perspective view of a tool handle;
FIG. 2 is a front view of the tool handle depicted in FIG. 1;
FIG. 3 is a left end view of the tool handle depicted in FIG. 1;
FIG. 4 is a right end view of the tool handle depicted in FIG. 1;
FIG. 5 is a top view tool handle depicted in FIG. 1; and,
FIG. 6 is a bottom view tool handle depicted in FIG. 1.
The broken lines illustrate portions of the tool handle and form no part of the claimed design.

1 Claim, 3 Drawing Sheets



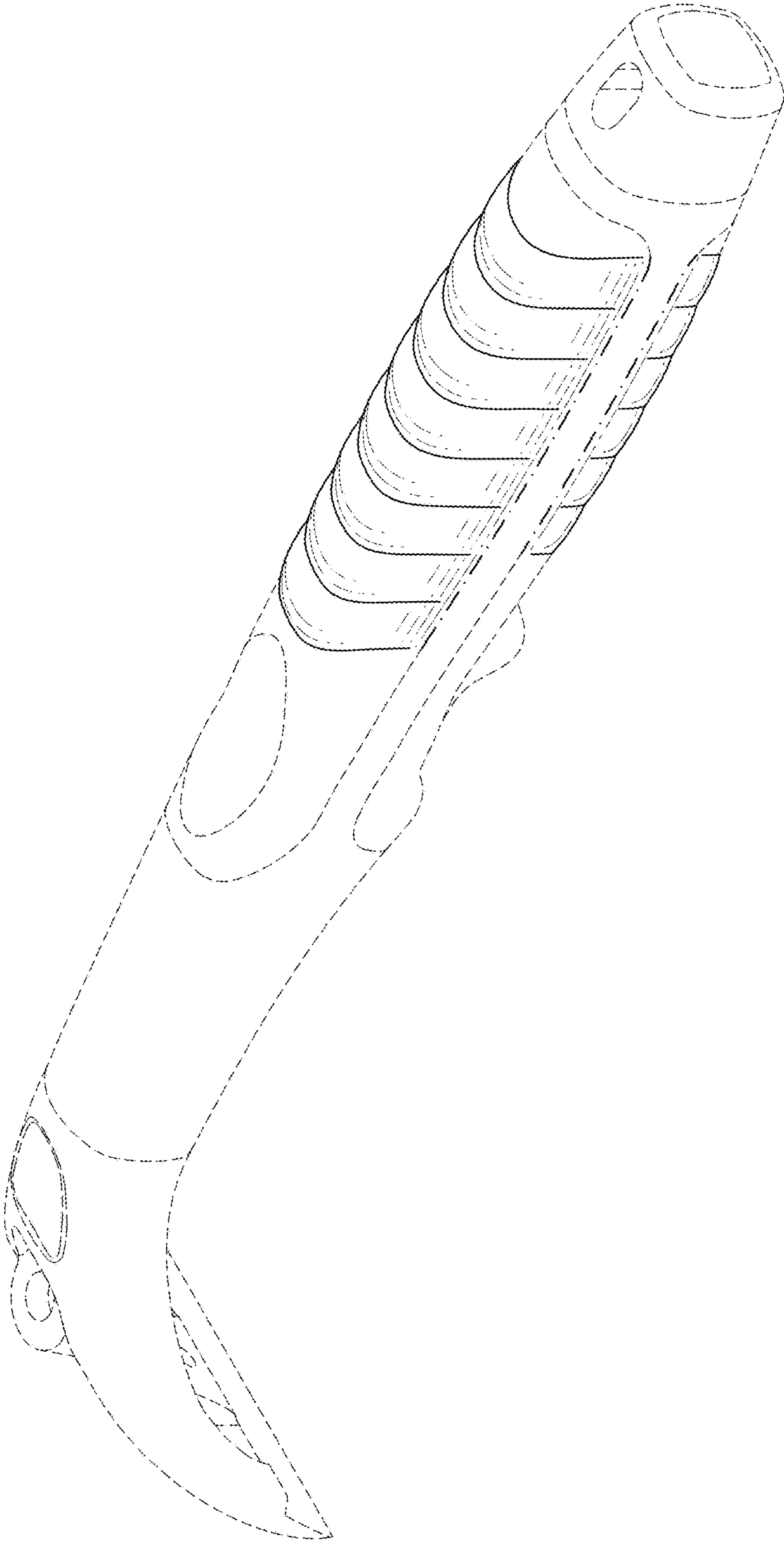


Fig. 1

Fig. 2

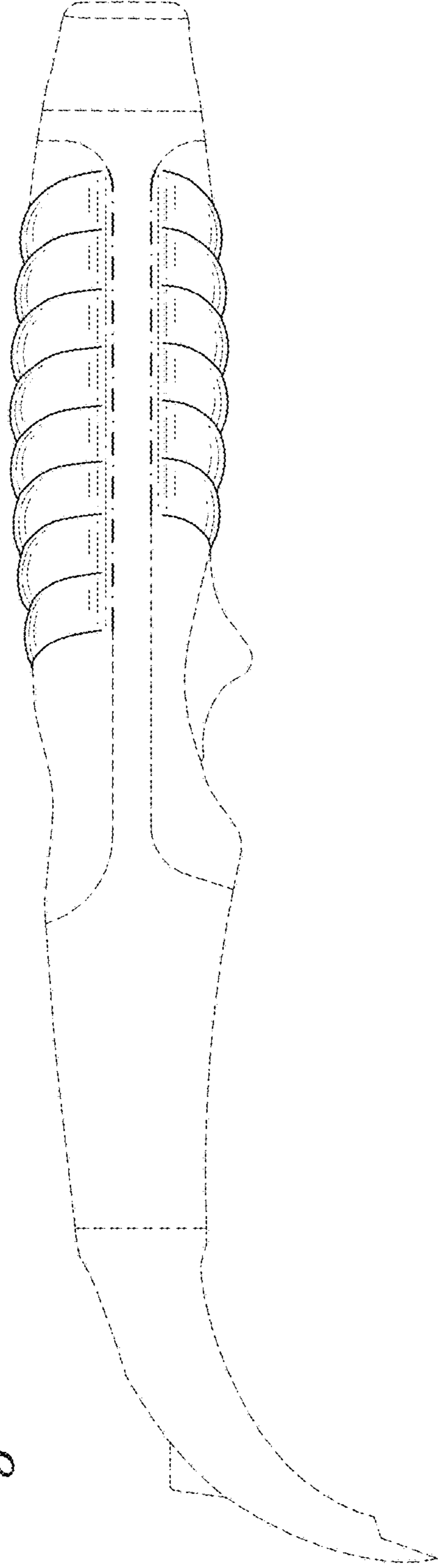


Fig. 3

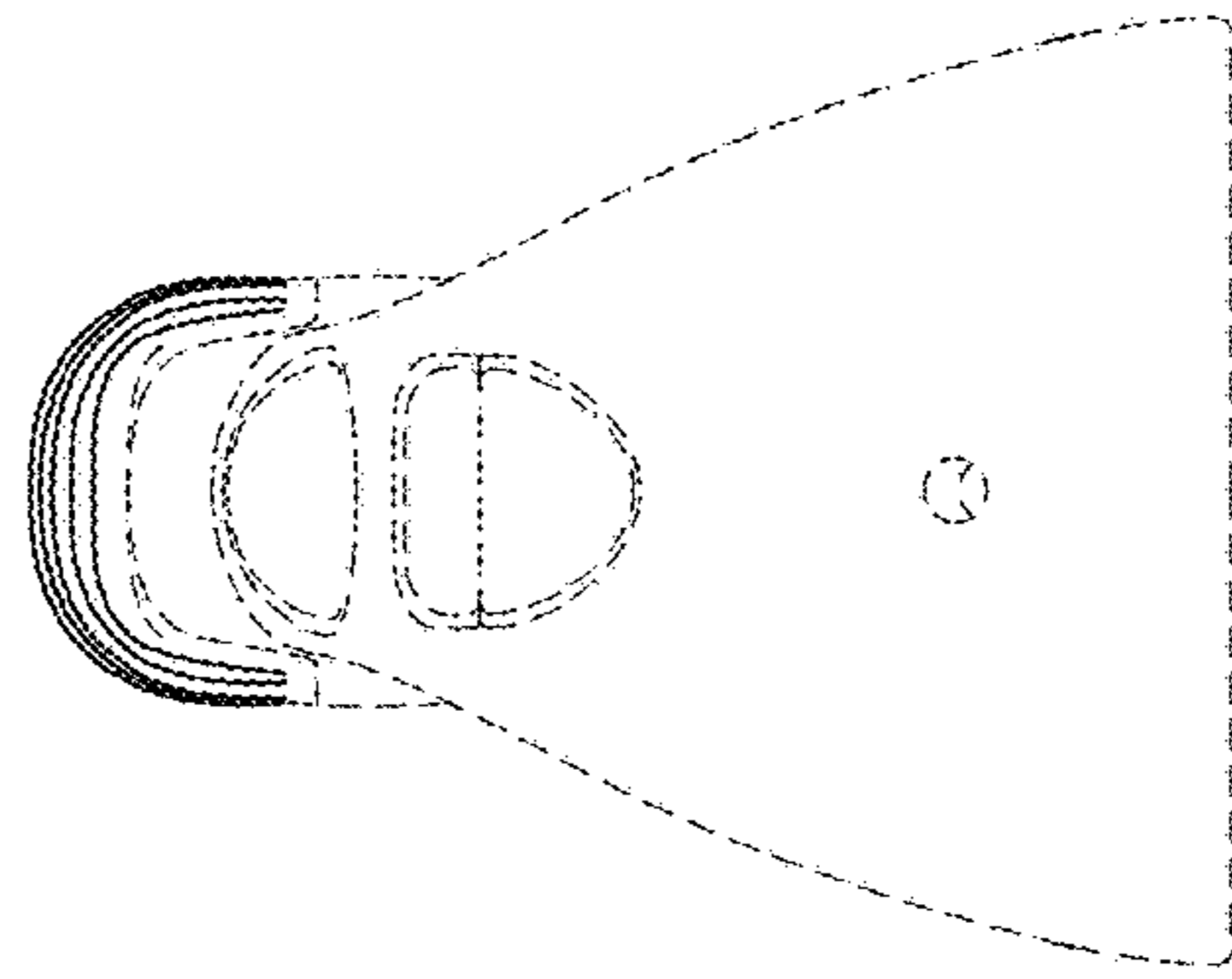
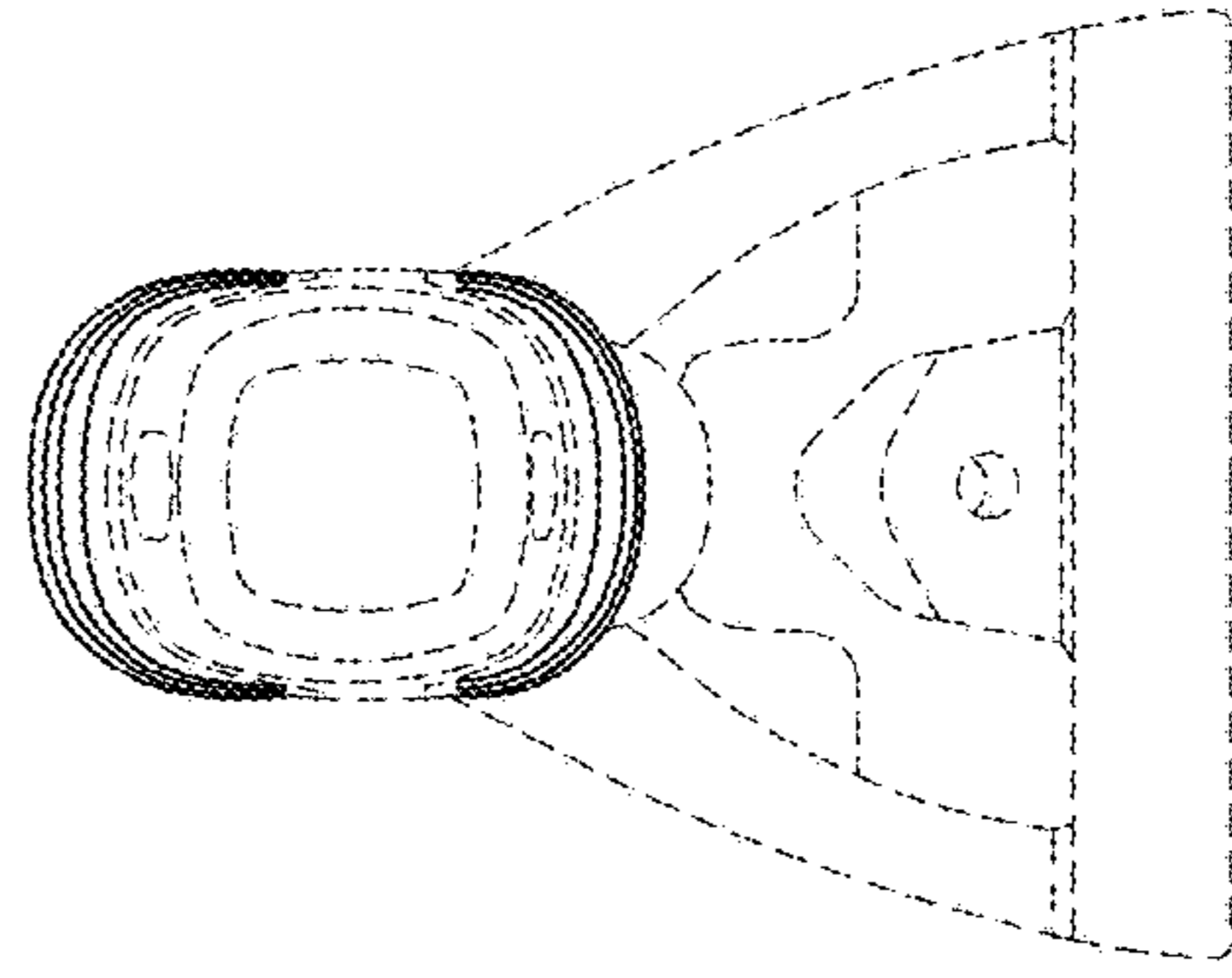


Fig. 4



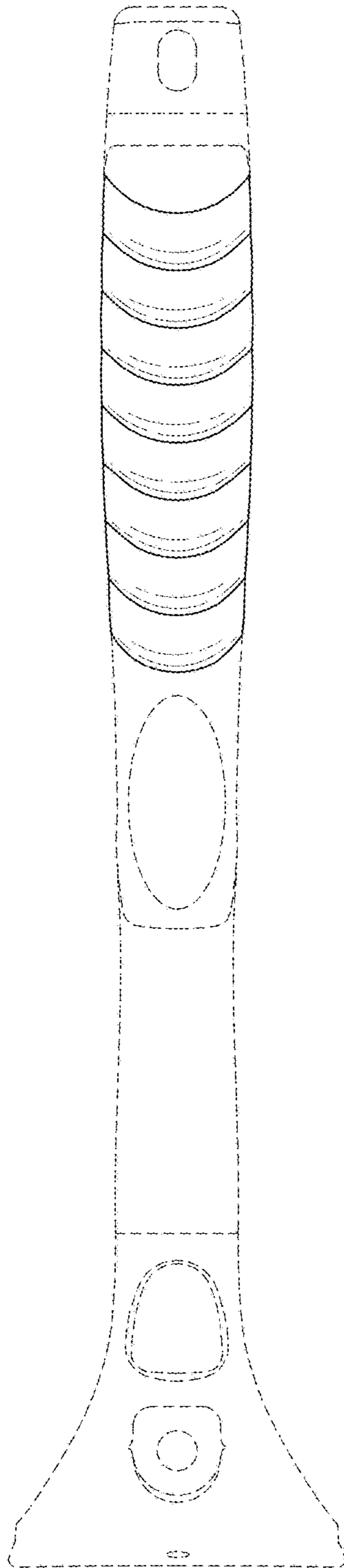


Fig. 5

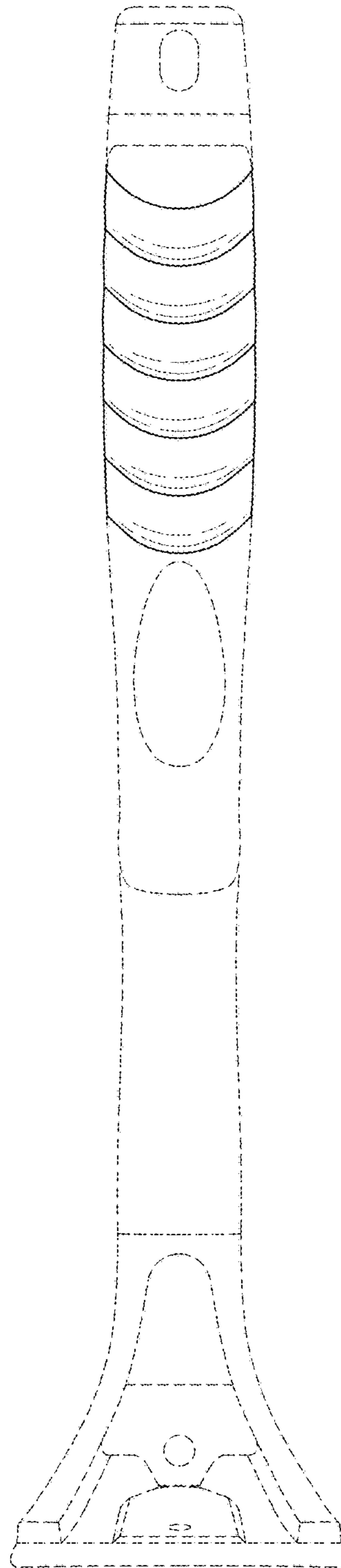


Fig. 6