



US00D823089S

(12) **United States Design Patent** (10) **Patent No.:** **US D823,089 S**
Shikama (45) **Date of Patent:** **** Jul. 17, 2018**

(54) **CUTTING TOOL**

(71) Applicant: **TUNGALOY CORPORATION**,
Iwaki-shi, Fukushima (JP)

(72) Inventor: **Hiroya Shikama**, Iwaki (JP)

(73) Assignee: **TUNGALOY CORPORATION**,
Iwaki-shu, Fukushima (JP)

(**) Term: **15 Years**

(21) Appl. No.: **29/600,374**

(22) Filed: **Apr. 12, 2017**

(30) **Foreign Application Priority Data**

Jan. 26, 2017 (JP) 2017-001312

(51) **LOC (11) Cl.** **08-05**

(52) **U.S. Cl.**
USPC **D8/70; D15/139**

(58) **Field of Classification Search**

USPC D8/70, 90, 98, 120; D15/124–144
 CPC B23C 2200/0411; B23C 2200/0416; B23C
 2200/0433; B23C 2200/164; B23C
 2200/361; B23C 2210/0457; B23C 5/006;
 B23C 2200/168; B23C 2210/163; B23C
 2226/125; B23C 5/10; B23C 2200/081;
 B23C 2200/087; B23C 2200/161; B23C
 2200/206; B23C 2210/02; B23C 2210/03;
 B23C 2210/166; B23C 2210/50; B23C
 2226/315; B23C 5/2208; B23C 5/2472;
 B23C 2200/0477; B23C 2200/0483;
 B23C 2200/083; B23C 2200/121; B23C
 2200/362; B23C 2210/0428; B23C
 2210/0435; B23C 2210/16; B23C
 2220/36; B23C 2220/44; B23C 2240/08;
 B23C 2250/12; B23C 2270/06; B23C
 5/2204; B23C 5/2213; B23C 5/2247;
 B23C 5/2427; B23C 2200/0422; B23C
 2200/08; B23C 2200/086; B23C
 2200/123

See application file for complete search history.

(56) **References Cited**

U.S. PATENT DOCUMENTS

D442,192 S * 5/2001 Strong D15/139
 D519,532 S * 4/2006 Strand D15/139
 D549,249 S * 8/2007 Omi D15/139
 D609,257 S * 2/2010 Frejd D15/139

(Continued)

Primary Examiner — Darlington Ly

(74) *Attorney, Agent, or Firm* — Sughrue Mion, PLLC

(57) **CLAIM**

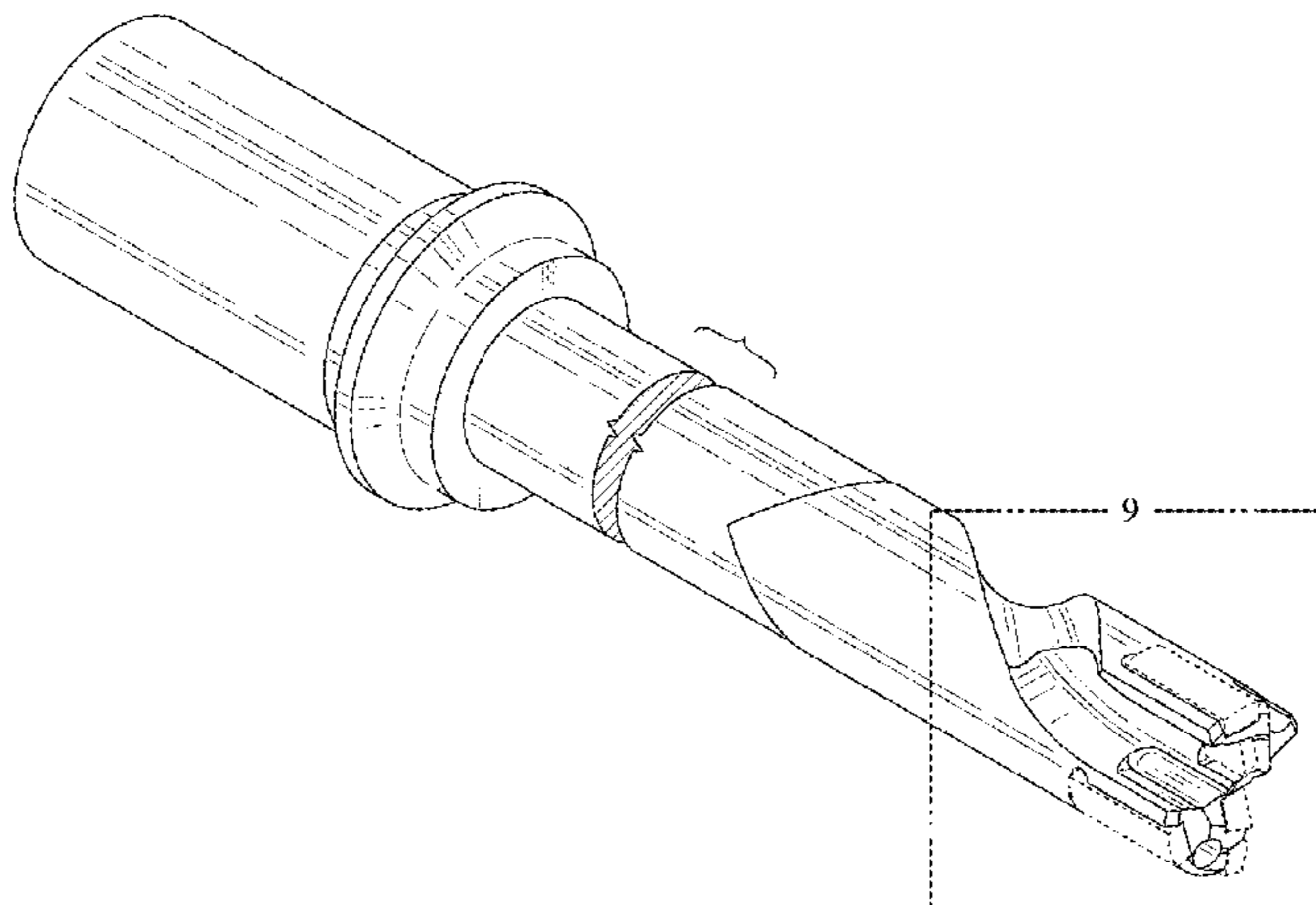
The ornamental design for a cutting tool, as shown and described.

DESCRIPTION

FIG. 1 is a top, front, and right side perspective view of a cutting tool showing my new design;
 FIG. 2 is a top, rear, and left side perspective view thereof;
 FIG. 3 is a front elevation view thereof;
 FIG. 4 is a rear elevation view thereof;
 FIG. 5 is a top plan view thereof;
 FIG. 6 is a bottom plan view thereof;
 FIG. 7 is a right side elevation view thereof;
 FIG. 8 is a left side elevation view thereof;
 FIG. 9 is an enlarged top, front, and right side perspective view thereof, where the area of enlargement is indicated in FIG. 1 by reference 9; and,
 FIG. 10 is a top, rear, and left side perspective view thereof, where the area of enlargement is indicated in FIG. 2 by reference 10.

The broken lines in the drawings illustrate portions of the cutting tool that form no part of the claimed design.
 The cutting tool is shown with a symbolic break in its length.
 The appearance of any portion of the article between the break lines forms no part of the claimed design.

1 Claim, 7 Drawing Sheets



(56)

References Cited

U.S. PATENT DOCUMENTS

D620,034	S *	7/2010	Sjoo	D15/139
D626,979	S *	11/2010	Anderson	D15/139
D627,805	S *	11/2010	Dost	D15/139
D678,925	S *	3/2013	Glimpel	D15/139
D686,647	S *	7/2013	Glimpel	D15/139
D693,861	S *	11/2013	Sato	D15/139
D701,255	S *	3/2014	Kim	D15/139
D723,076	S *	2/2015	Lampe	D15/139
D756,430	S *	5/2016	Park	D15/139
D774,573	S *	12/2016	Sharivker	D15/139
D797,170	S *	9/2017	Sharivker	D15/139
D799,574	S *	10/2017	Fothergill	D15/139
9,878,379	B2 *	1/2018	Davis	B23C 5/10
D813,003	S *	3/2018	Chang	D8/70
D815,672	S *	4/2018	Shikama	D15/139
2012/0282044	A1 *	11/2012	Volokh	B23C 5/10
				407/53
2013/0259590	A1 *	10/2013	Shaheen	B23B 51/02
				408/200

* cited by examiner

Fig. 1

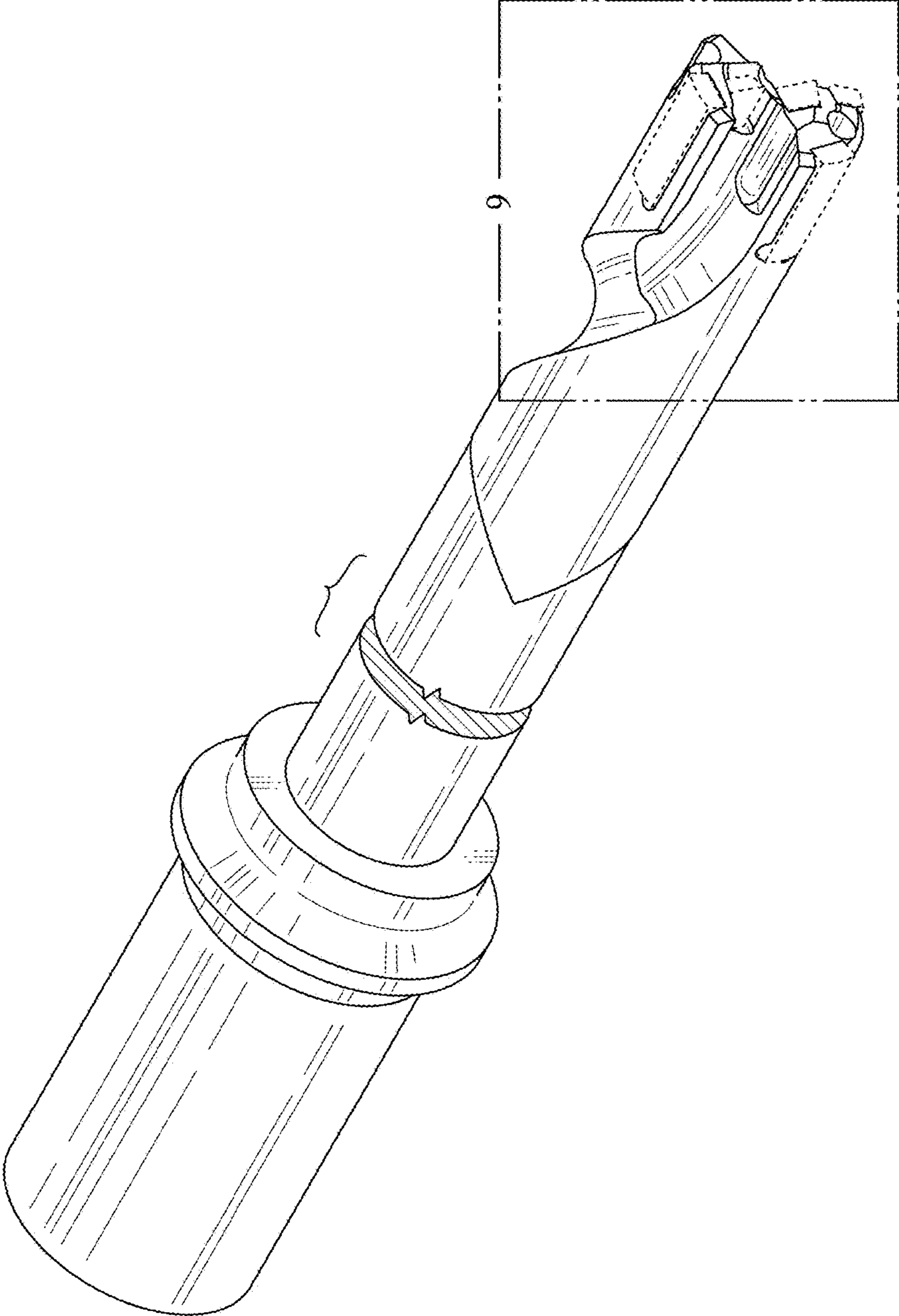


Fig. 2

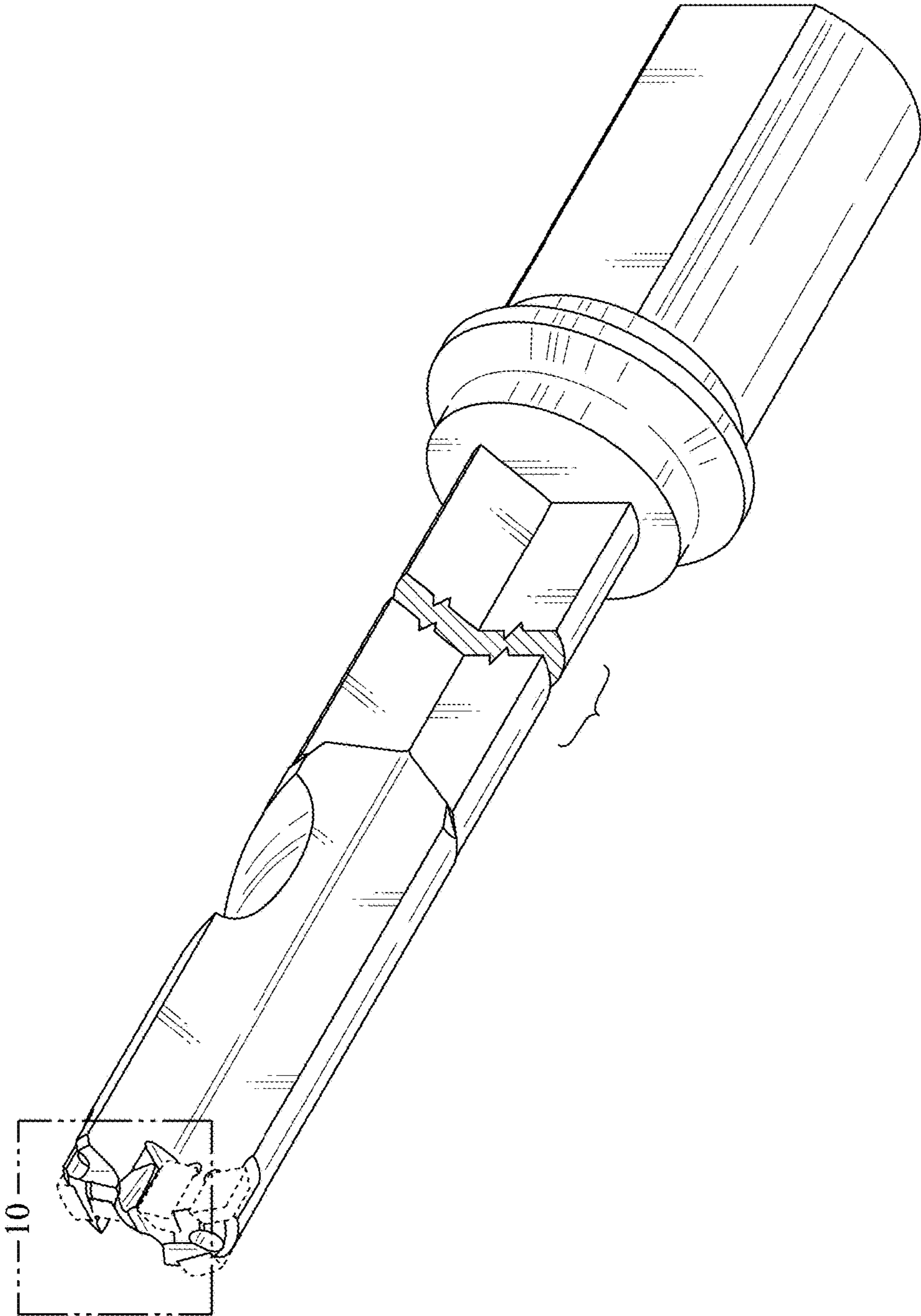


Fig. 3

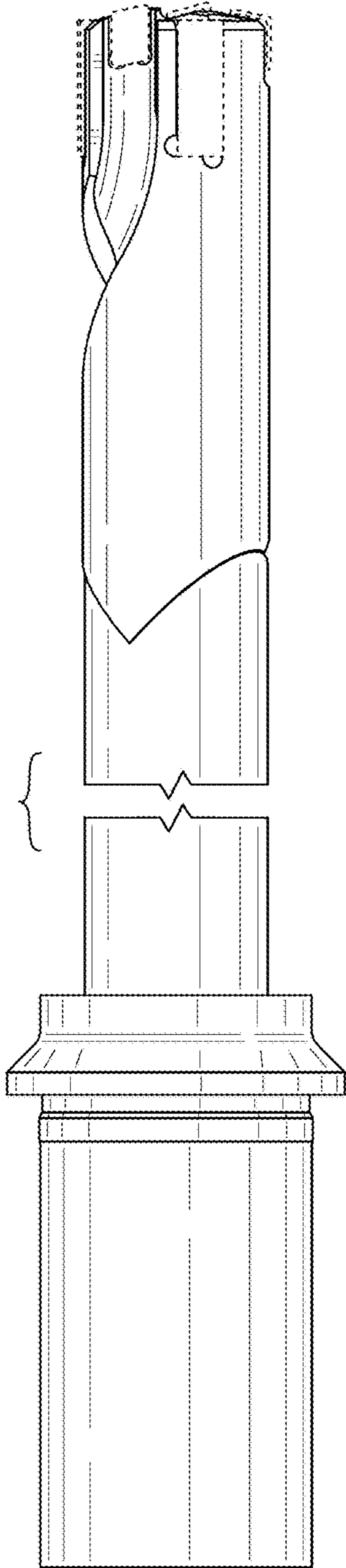


Fig. 4

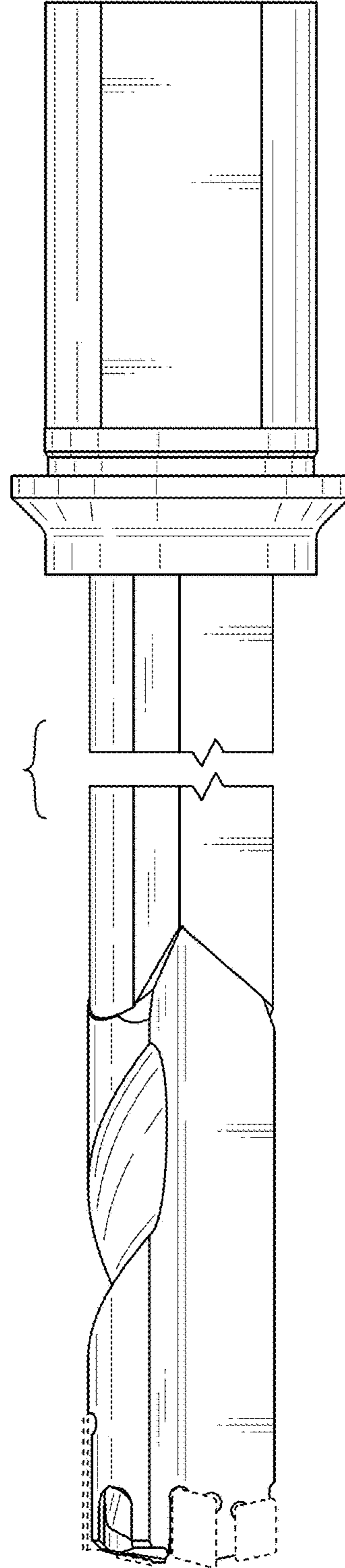


Fig. 6

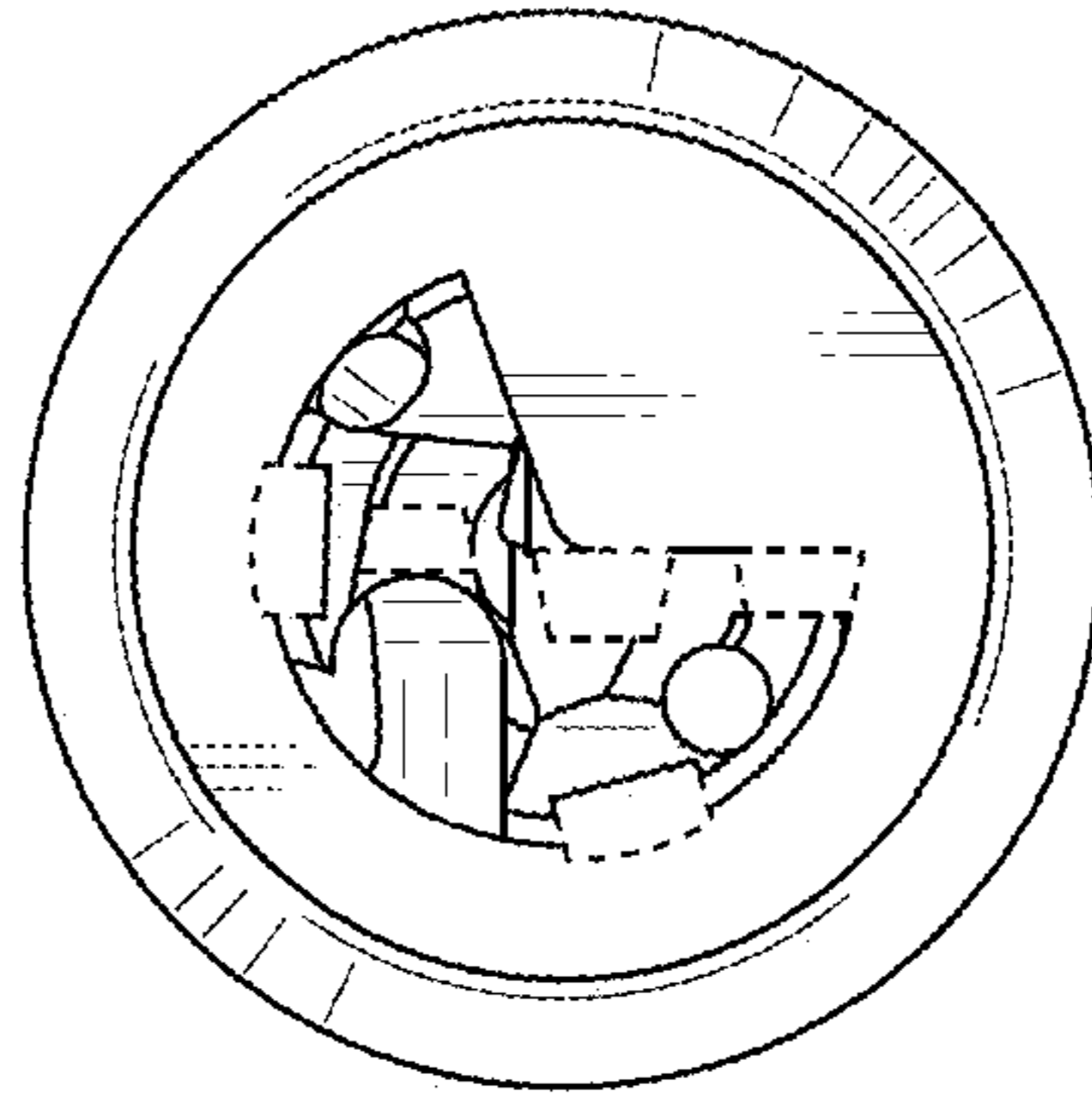


Fig. 5

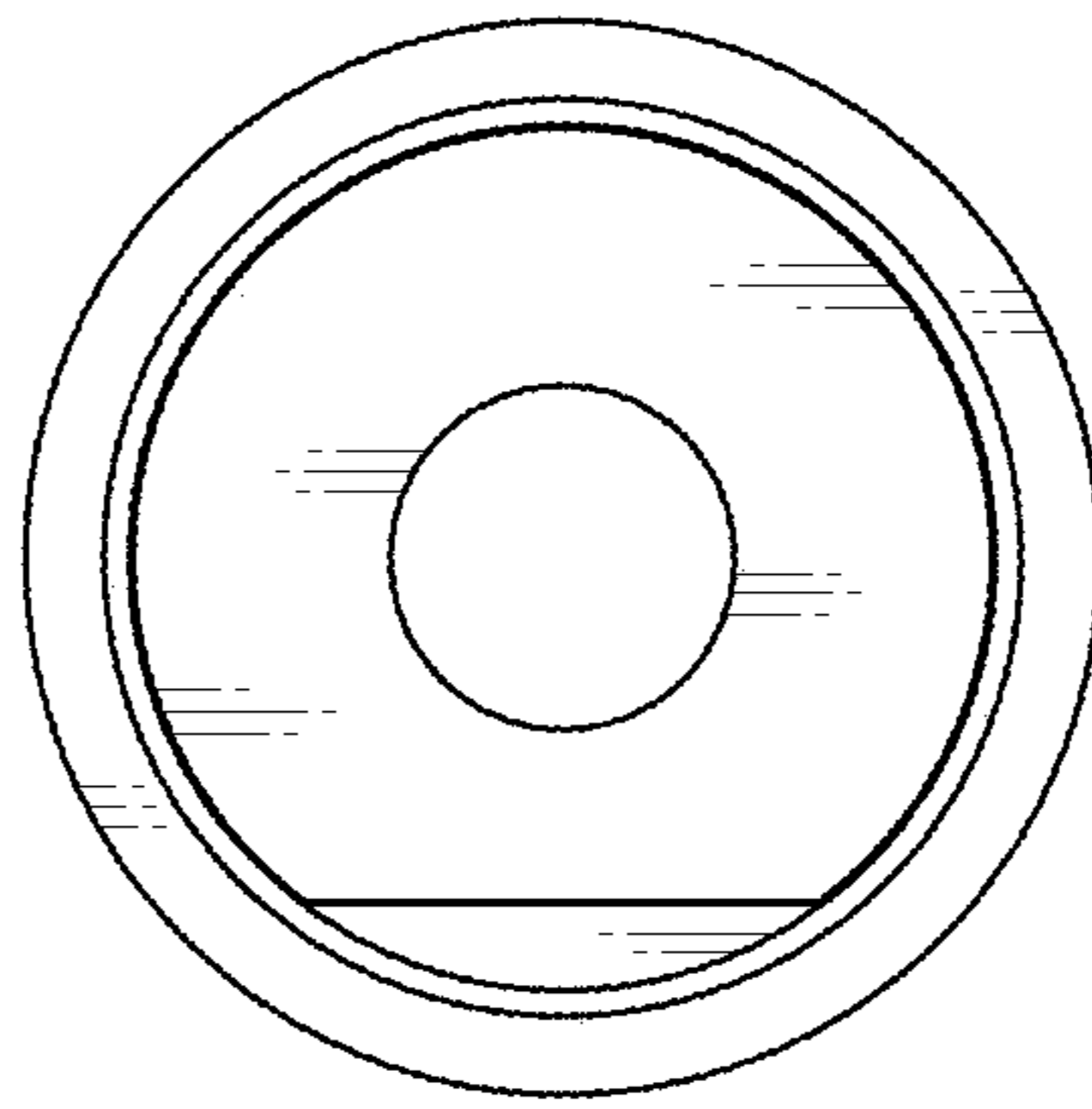


Fig. 7

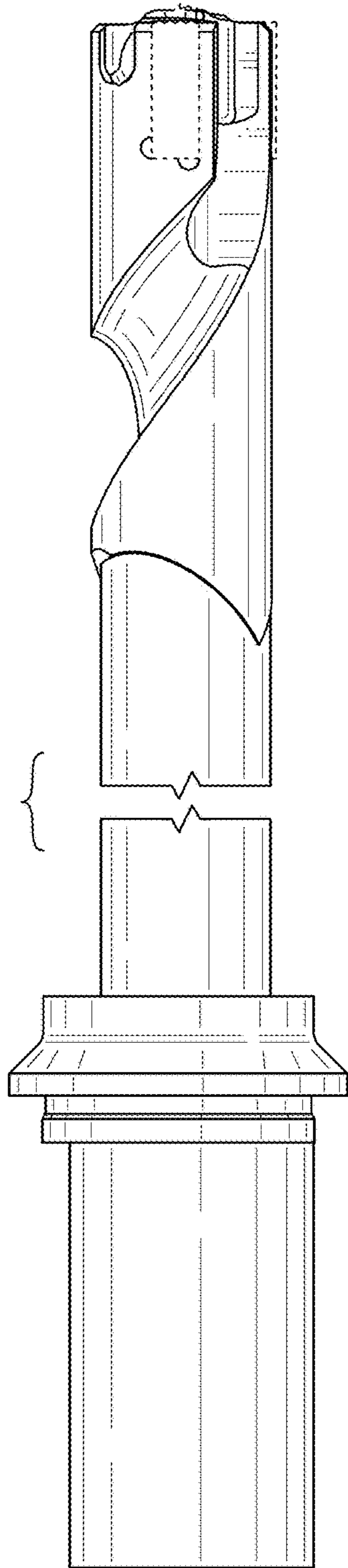


Fig. 8

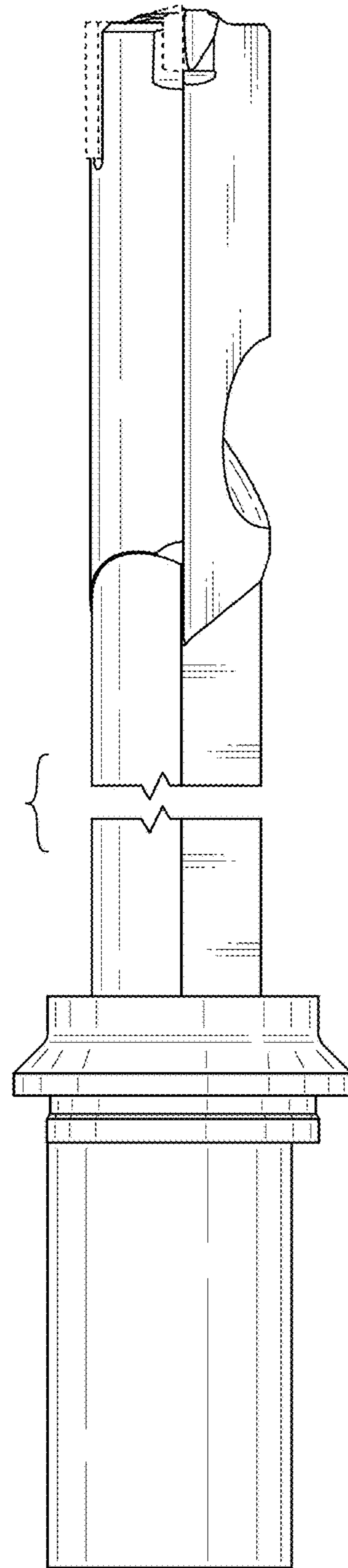


Fig. 9

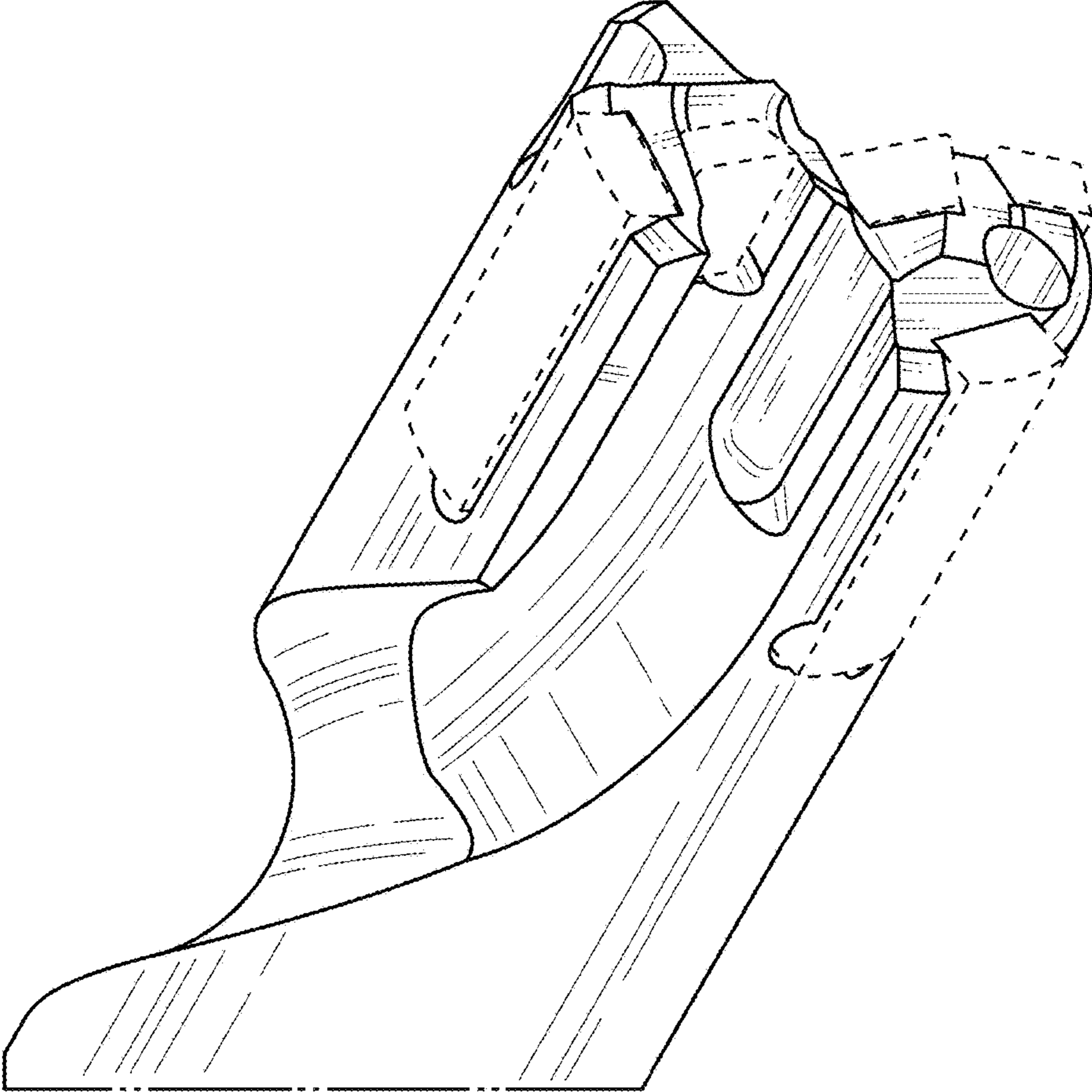


Fig. 10

