



US00D823088S

(12) **United States Design Patent** (10) **Patent No.:** **US D823,088 S**
Lefavour et al. (45) **Date of Patent:** **** Jul. 17, 2018**

(54) **PORTABLE POWER TOOL WITH DIELESS TOOL HEAD**

D356,478 S * 3/1995 Heskey D8/61
D387,961 S * 12/1997 Yasui D8/68
D404,627 S * 1/1999 Hirabayashi D8/68
D408,242 S * 4/1999 Yamamoto D8/61

(71) Applicant: **Hubbell Incorporated**, Shelton, CT (US)

(Continued)

(72) Inventors: **John David Lefavour**, Litchfield, NH (US); **Thomas Romeo Faucher**, Manchester, NH (US); **Lawrence Brown**, Allenstown, NH (US)

OTHER PUBLICATIONS

International Search Report and Written Opinion mailed in corresponding PCT Application PCT/US2017/027403 dated Aug. 16, 2017.

(73) Assignee: **Hubbell Incorporated**, Shelton, CT (US)

Primary Examiner — Darlington Ly

(74) *Attorney, Agent, or Firm* — Wissing Miller LLP

(**) Term: **15 Years**

(57) **CLAIM**

The ornamental design for a portable power tool with dieless tool head, as shown and described.

(21) Appl. No.: **29/593,678**

DESCRIPTION

(22) Filed: **Feb. 10, 2017**

(51) **LOC (11) Cl.** **08-05**

(52) **U.S. Cl.**
USPC **D8/68; D8/61**

(58) **Field of Classification Search**
USPC D8/7, 21, 24, 25, 29, 36, 40, 60, 61, 68, D8/70, 85; D21/532

CPC B25B 27/10; B25B 27/026; B25B 27/146; B21D 37/10; B21D 39/048; B23D 29/00
See application file for complete search history.

FIG. 1 is a top, front, and right side perspective view of a portable power tool with dieless tool head showing our new design in accordance to a first embodiment; FIG. 2 is right side elevation view thereof; FIG. 3 is a left side elevation view thereof; FIG. 4 is a front elevation view thereof; FIG. 5 is a rear elevation view thereof; FIG. 6 is a top plan view thereof; and FIG. 7 is a bottom plan view thereof. FIG. 8 is a top, front, and right side perspective view of a portable power tool with dieless tool head showing our new design in accordance to a second embodiment; FIG. 9 is right side elevation view thereof; FIG. 10 is a left side elevation view thereof; FIG. 11 is a front elevation view thereof; FIG. 12 is a rear elevation view thereof; FIG. 13 is a top plan view thereof; and, FIG. 14 is a bottom plan view thereof.

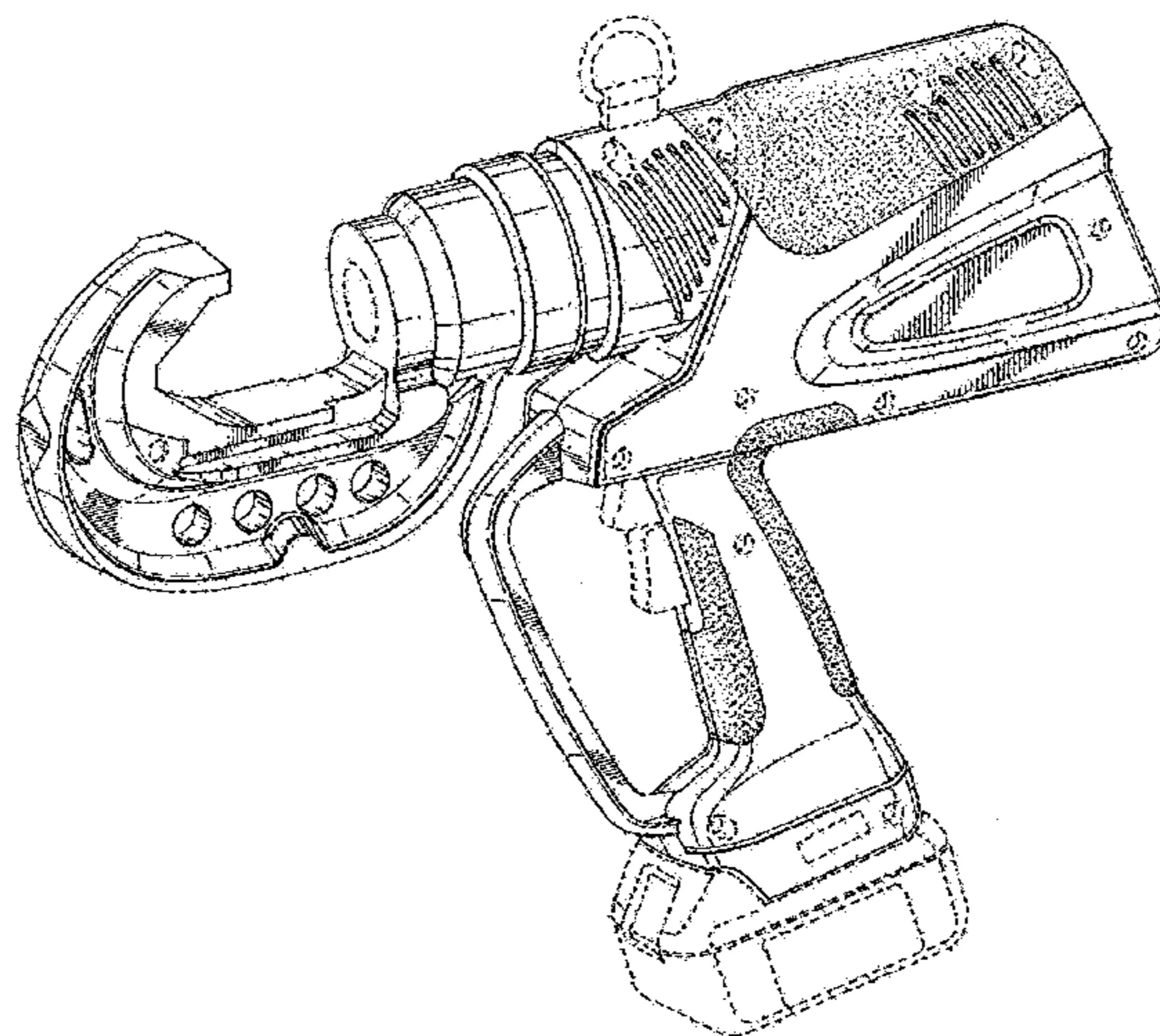
The broken lines in the drawings illustrate portions of the portable power tool with dieless tool head that form no part of the claimed design.

(56) **References Cited**

U.S. PATENT DOCUMENTS

3,386,298 A * 6/1968 Klingler B30B 15/00
173/170
3,492,854 A * 2/1970 Eppler H01R 43/042
140/113
3,862,482 A 1/1975 Green
4,136,549 A 1/1979 Lytle et al.
4,604,890 A 8/1986 Martin
4,640,117 A 2/1987 Anderson et al.
5,152,162 A 10/1992 Ferraro
5,193,379 A 3/1993 Ferraro

1 Claim, 10 Drawing Sheets



(56)

References Cited

U.S. PATENT DOCUMENTS

6,619,101 B1 9/2003 Faucher et al.
 6,718,870 B1* 4/2004 Frenken B25B 27/10
 100/102
 7,124,619 B1 10/2006 Lefavour et al.
 7,363,799 B2* 4/2008 Hamm B25B 25/005
 72/452.8
 D593,828 S * 6/2009 Pond D8/61
 7,578,159 B2* 8/2009 Bowles B21D 39/048
 72/409.01
 7,634,859 B2* 12/2009 Amherd B23D 23/00
 30/228
 7,908,963 B2* 3/2011 Frenken B25B 27/10
 100/269.01
 8,056,473 B2* 11/2011 Frenken B21D 39/048
 100/35
 D668,922 S * 10/2012 Hyma D8/61
 8,316,685 B2* 11/2012 Stucki B25B 27/10
 72/407

8,342,001 B2* 1/2013 Zhang B23D 29/00
 29/751
 D709,748 S * 7/2014 Frenken D8/61
 D710,173 S * 8/2014 Frenken D8/61
 8,997,543 B2* 4/2015 Therrien B21D 37/10
 175/423
 D767,959 S * 10/2016 Sokat D8/61
 D767,960 S * 10/2016 Haneishi D8/61
 9,484,700 B2* 11/2016 Kehoe H01R 43/0427
 D774,858 S * 12/2016 Stucki D8/61
 D805,365 S * 12/2017 Ballard D8/69
 2007/0295053 A1 12/2007 Ruland
 2008/0282763 A1 11/2008 Chiasson et al.
 2008/0289394 A1* 11/2008 Mitchell B21D 39/048
 72/409.1
 2009/0313820 A1* 12/2009 Roman, Jr. B25B 27/10
 29/863
 2010/0000288 A1 1/2010 Barezzani et al.

* cited by examiner

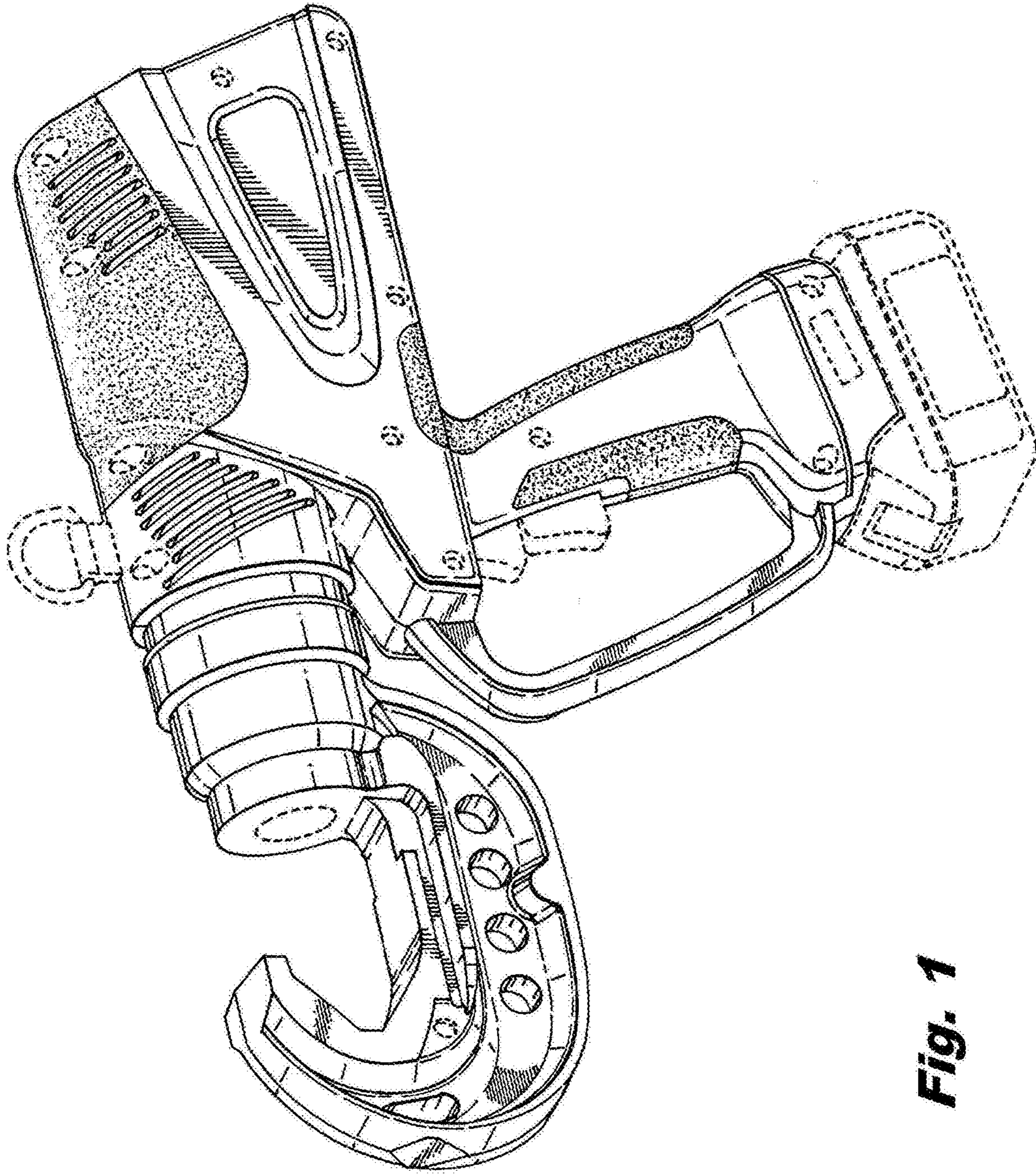


Fig. 1

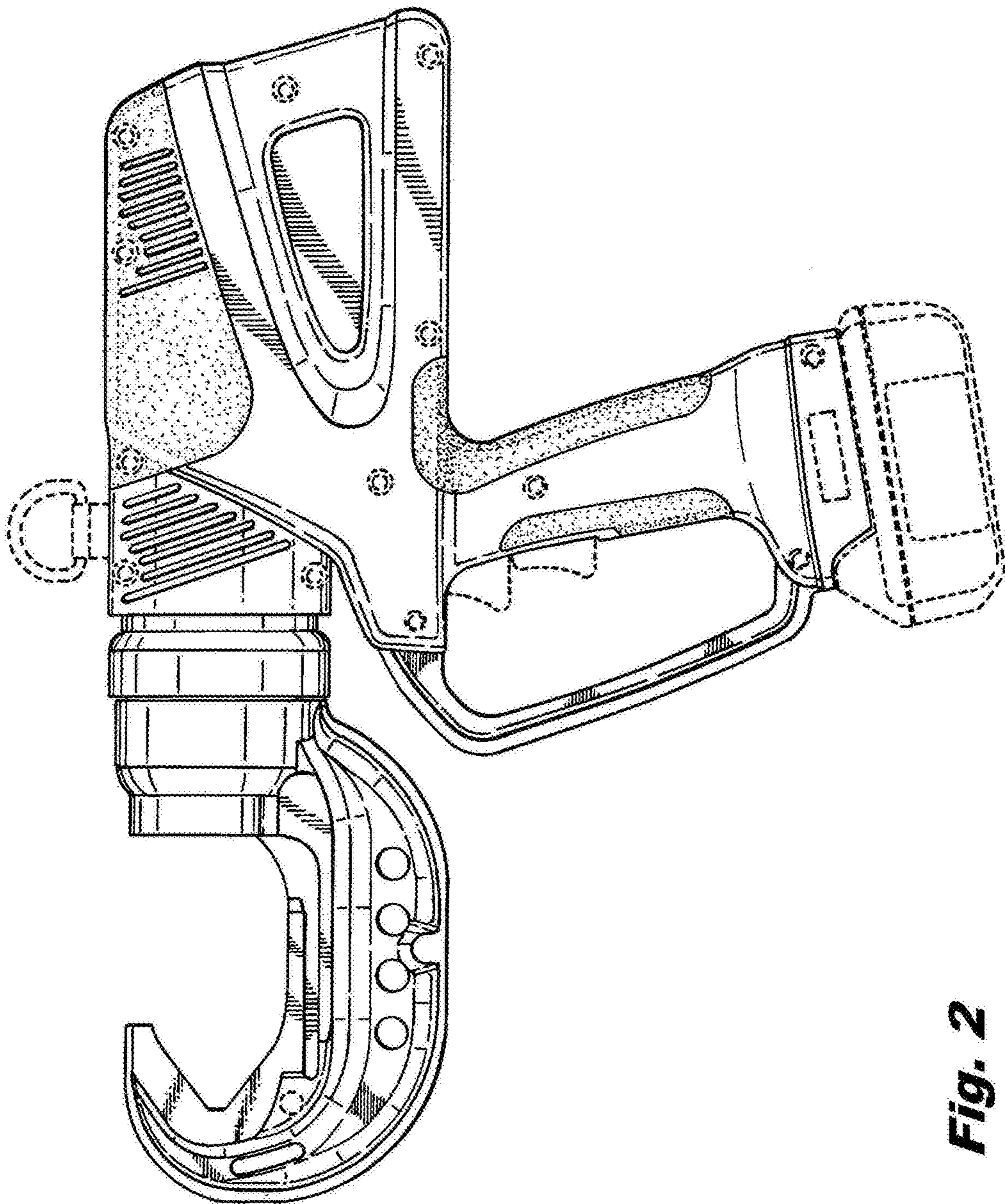


Fig. 2

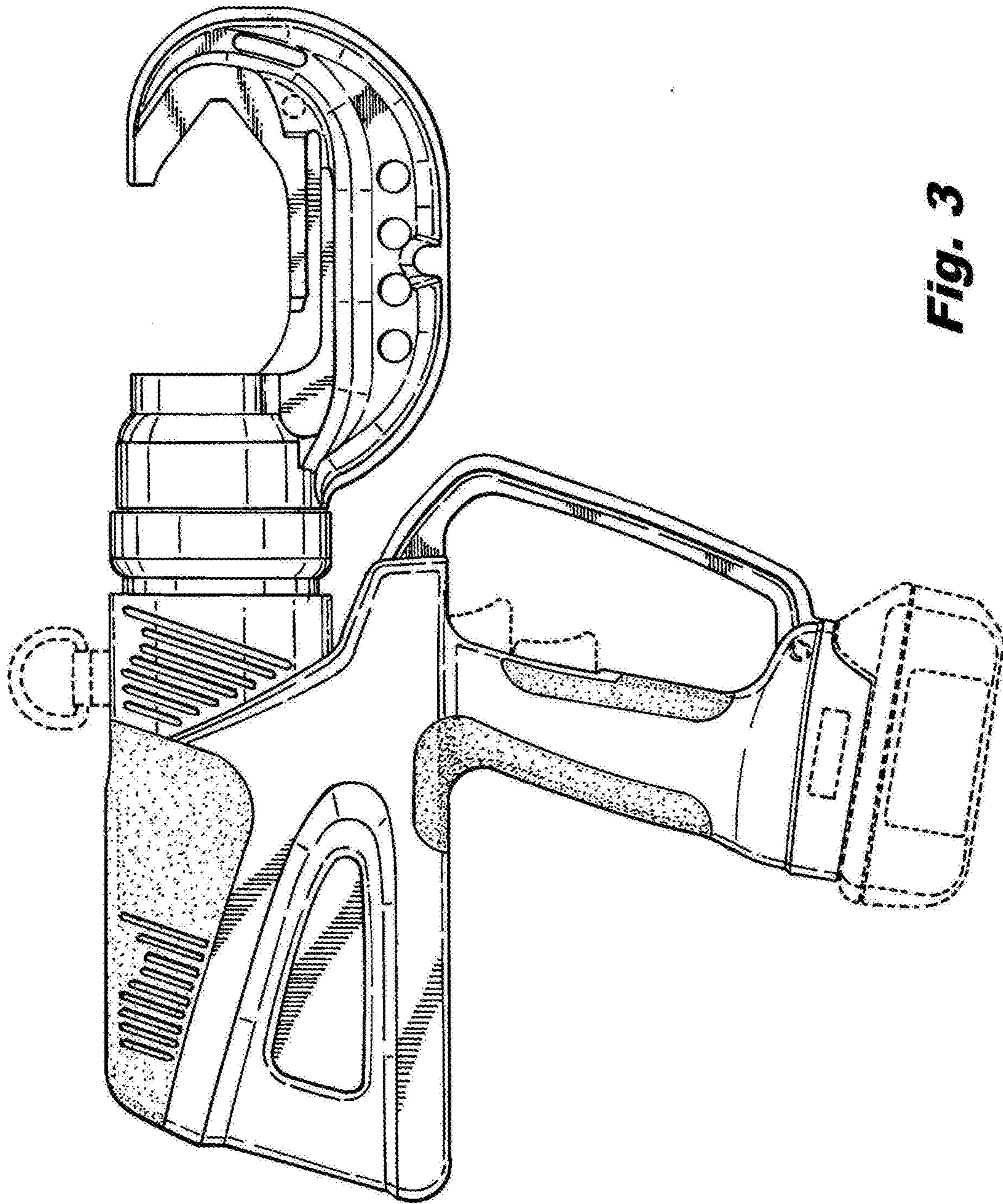


Fig. 3

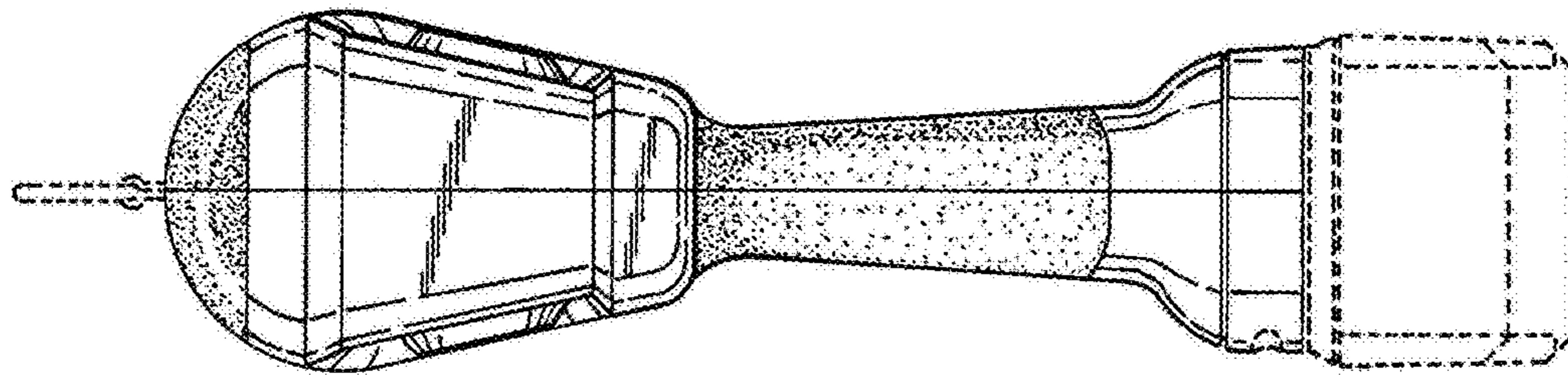


Fig. 5

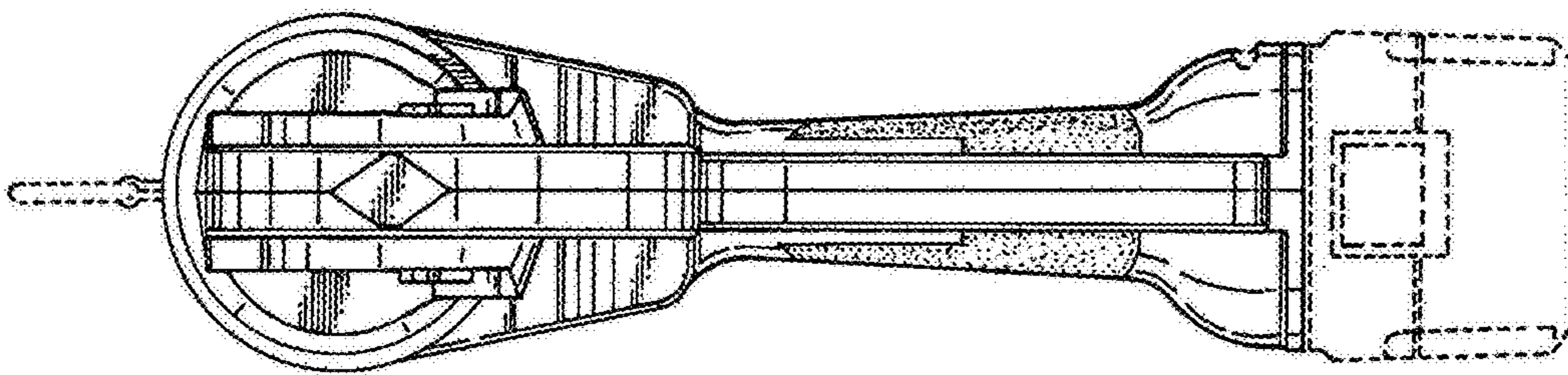


Fig. 4

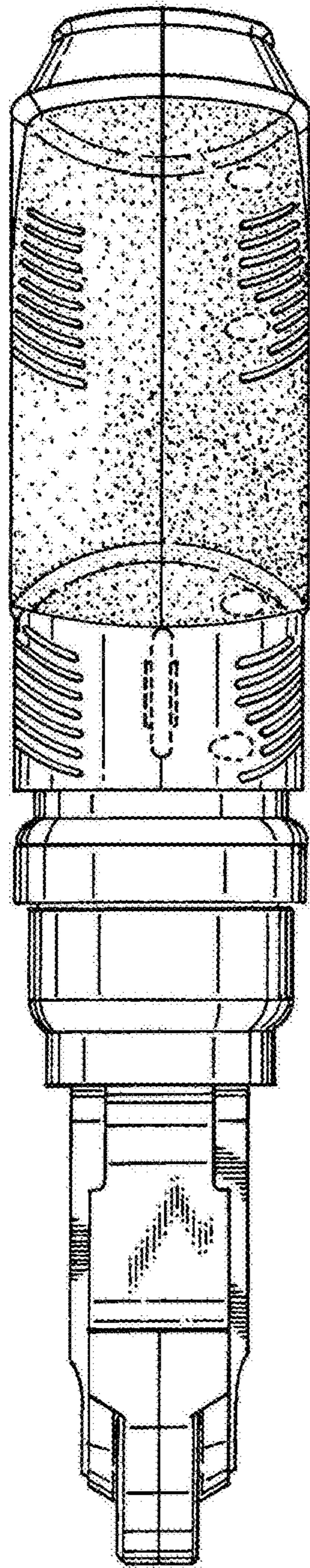


Fig. 6

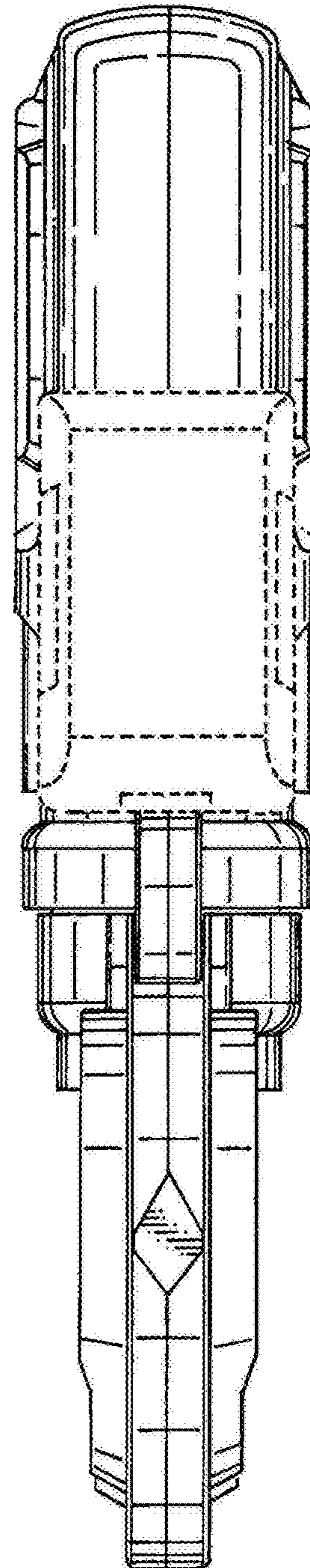


Fig. 7

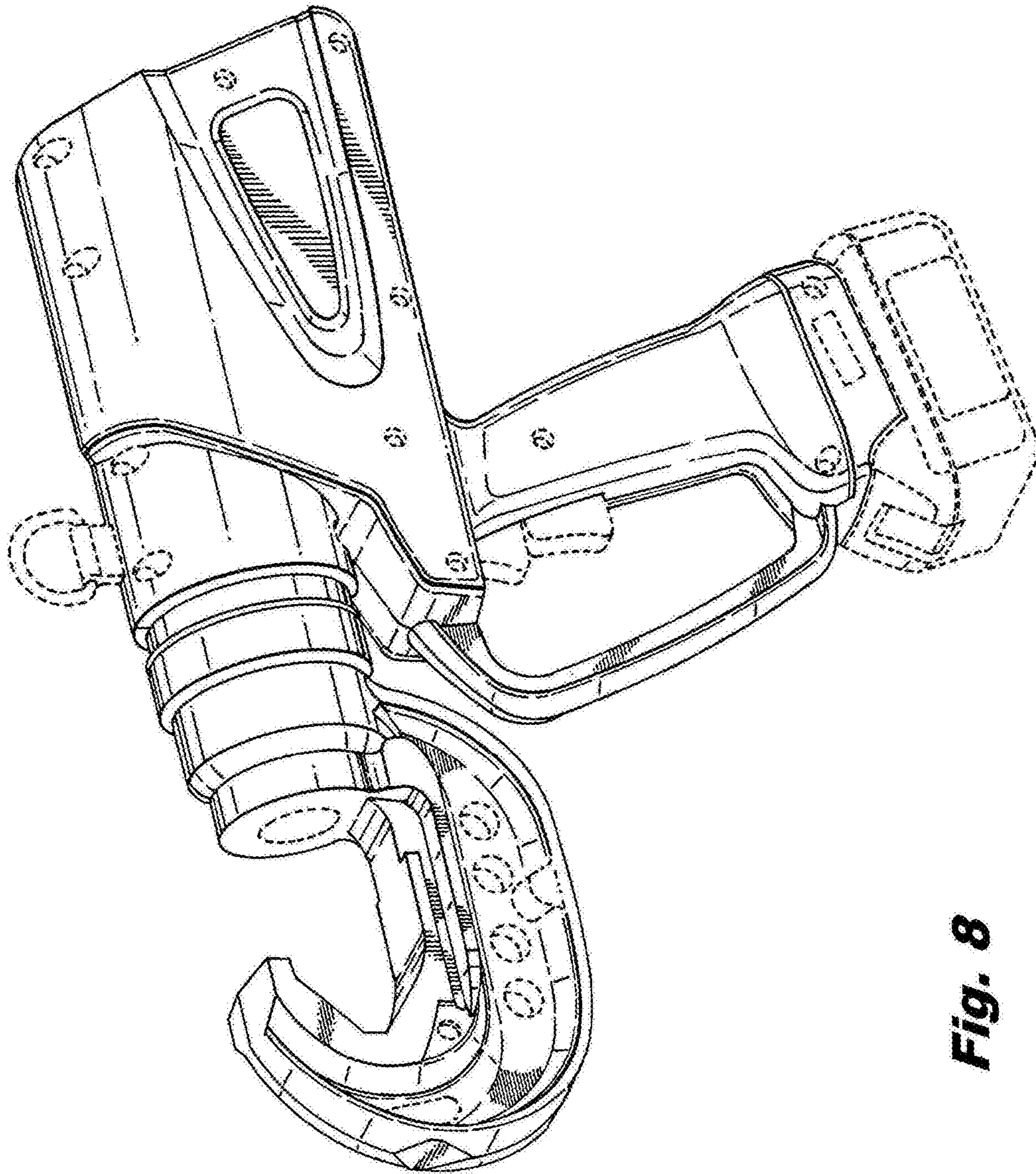


Fig. 8

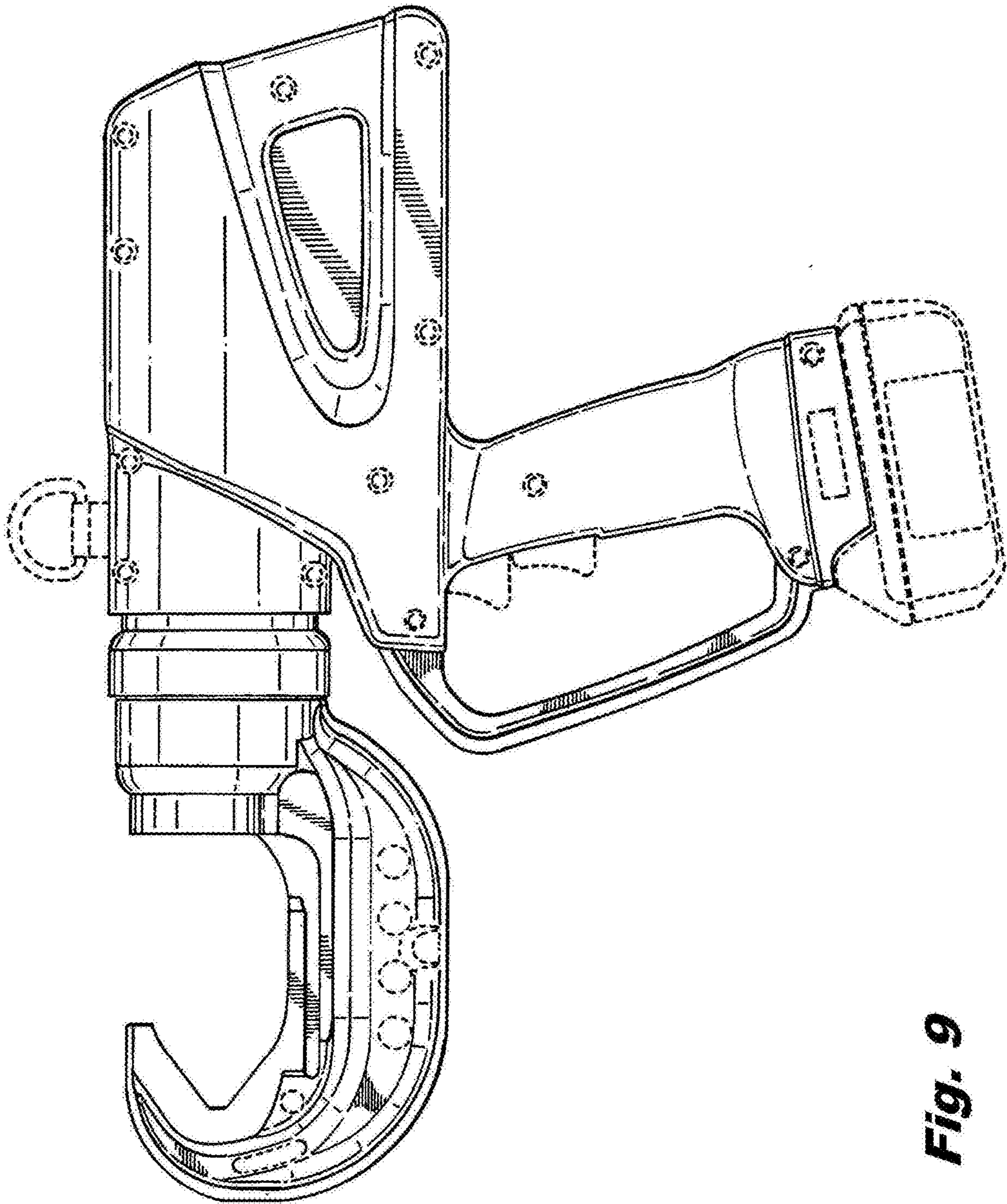


Fig. 9

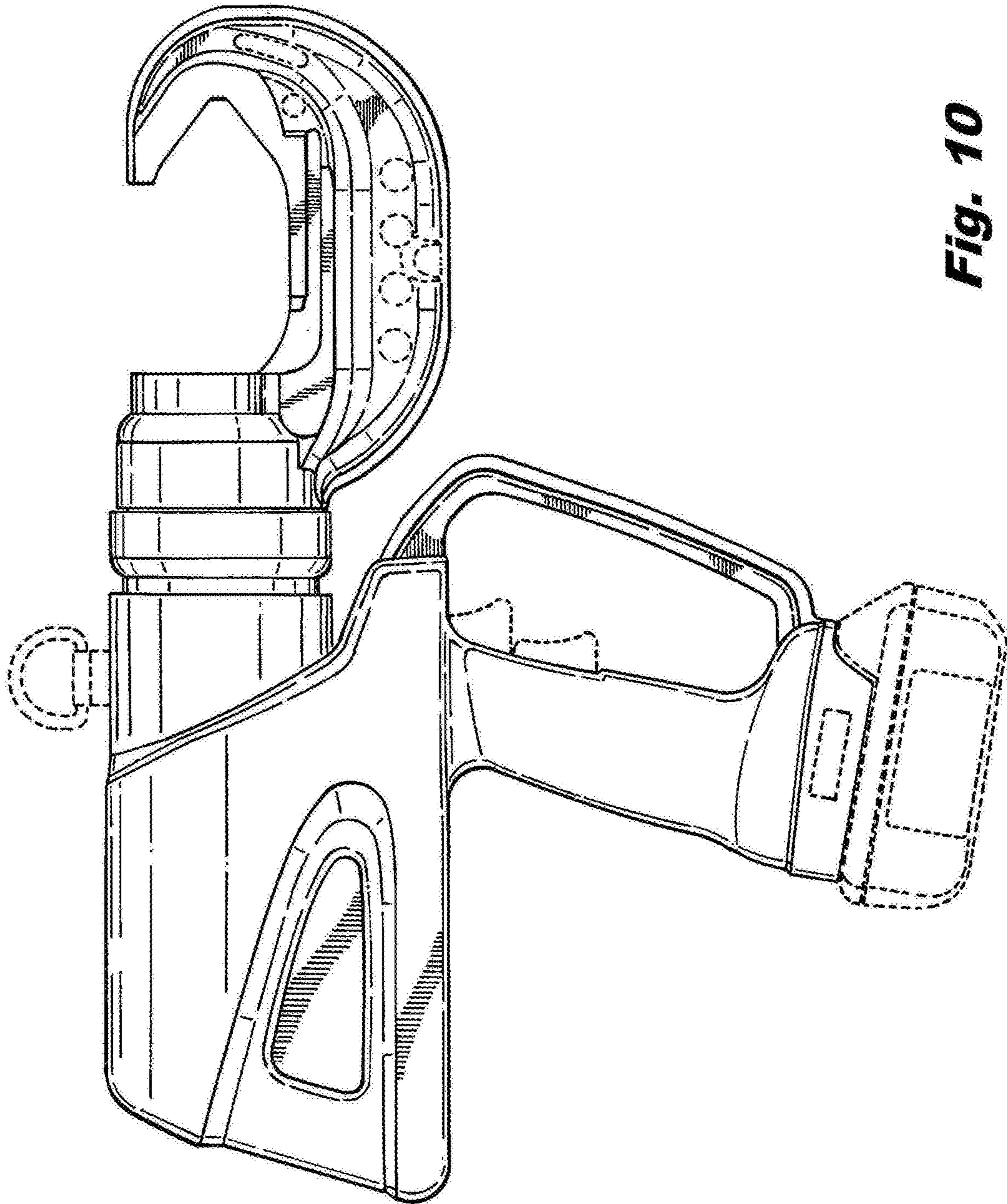


Fig. 10

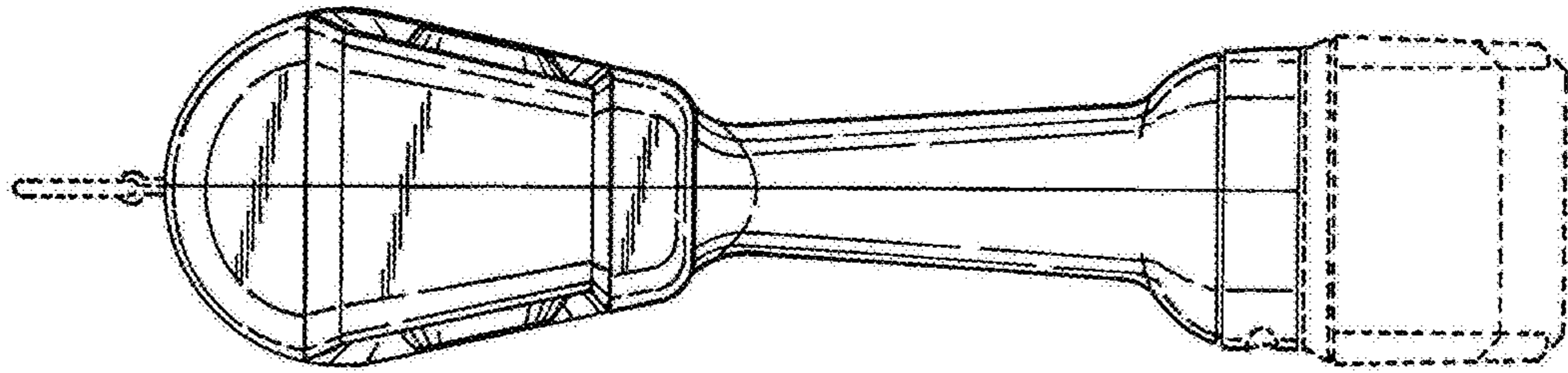


Fig. 12

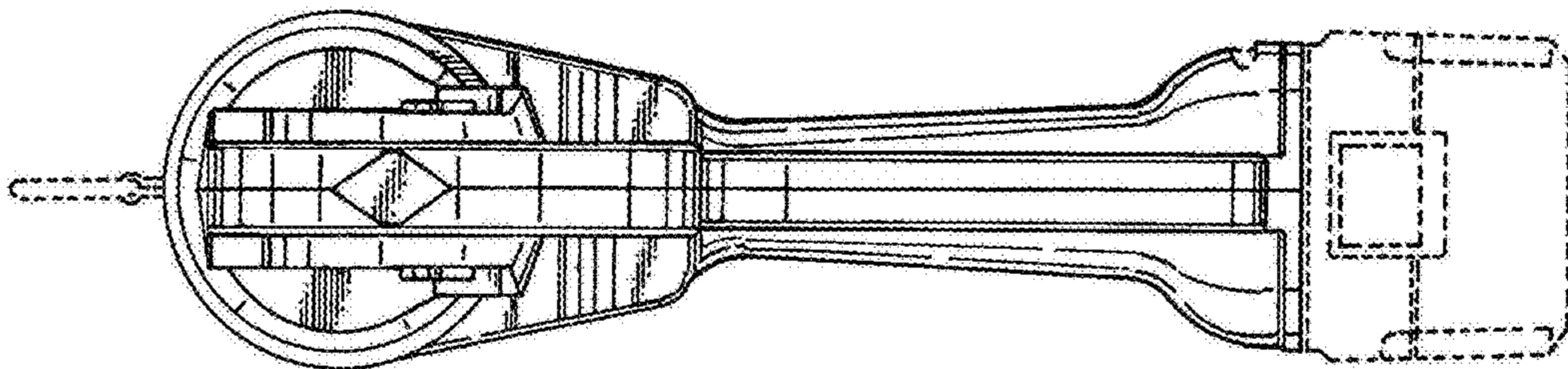


Fig. 11

Fig. 13

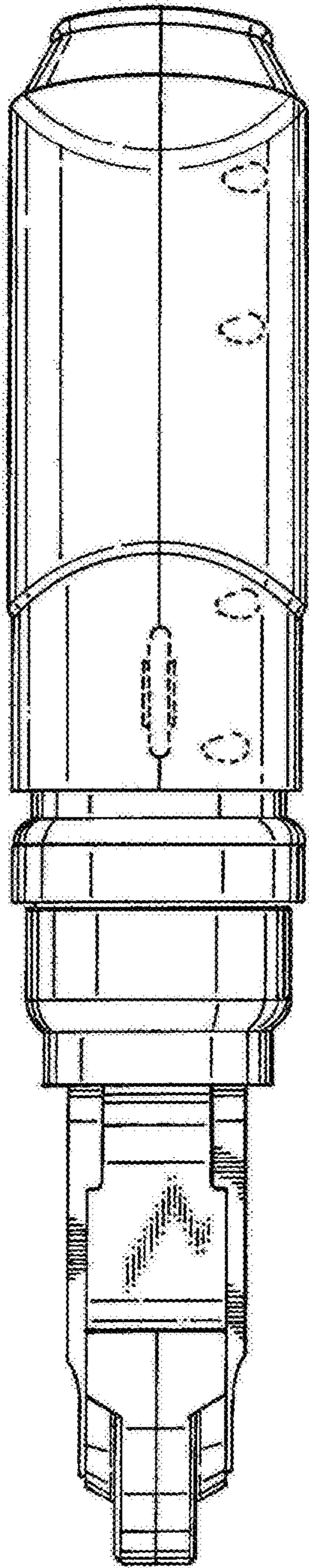


Fig. 14

