



US00D823086S

(12) **United States Design Patent** (10) **Patent No.:** **US D823,086 S**
Graykowski et al. (45) **Date of Patent:** **** Jul. 17, 2018**

(54) **SNIPS**
(71) Applicant: **Milwaukee Electric Tool Corporation**,
Brookfield, WI (US)
(72) Inventors: **Anthony S. Graykowski**, Port
Washington, WI (US); **Matthew A.**
Lownik, West Allis, WI (US)

6,739,057 B2 5/2004 Schallenberg
D608,613 S * 1/2010 Hedrick D8/57
D642,033 S * 7/2011 Molina D8/5
D722,482 S * 2/2015 McLean D8/57
9,216,512 B2 * 12/2015 Kawai B26B 13/20
D788,557 S * 6/2017 Huang D8/57
2005/0283980 A1 12/2005 Bathard et al.
2006/0123634 A1 6/2006 Peterson et al.
2014/0182141 A1 7/2014 Farnworth et al.

(73) Assignee: **MILAWUKEE ELECTRIC TOOL CORPORATION**, Brookfield, WI (US)

FOREIGN PATENT DOCUMENTS

(**) Term: **15 Years**

CN 2709127 7/2005
CN 2868589 2/2007
CN 201456032 5/2010
CN 202491250 10/2012
CN 202556429 11/2012
CN 104249380 12/2014
CN 205255041 5/2016
DE 202008000432 5/2009

(21) Appl. No.: **29/592,660**

(22) Filed: **Feb. 1, 2017**

(51) **LOC (11) Cl.** **08-03**

(52) **U.S. Cl.**
USPC **D8/57**

(58) **Field of Classification Search**
USPC D8/103, 107, 5, 324, 335, 348, 351, 365
CPC B26B 13/10; B26B 13/20; B26B 13/12;
B26B 13/06; B26B 13/04
See application file for complete search history.

(Continued)

Primary Examiner — Deanna L Pratt

(74) *Attorney, Agent, or Firm* — Michael Best & Friedrich LLP

(56) **References Cited**

U.S. PATENT DOCUMENTS

2,006,926 A 7/1935 Lincoln
2,239,851 A 4/1941 Lincoln
6,000,138 A 12/1999 Bornancini
D427,869 S * 7/2000 Zoiss D8/57
6,158,128 A 12/2000 Huff
D443,490 S 6/2001 Bornancini
D445,010 S * 7/2001 Hesprich D8/57
D445,324 S * 7/2001 Hesprich D8/107
6,272,754 B1 8/2001 Hesprich
6,397,478 B1 6/2002 Bornancini
6,493,947 B2 12/2002 Stokes
6,584,693 B2 7/2003 DeBolt

(57) **CLAIM**

We claim the ornamental design for a snips, as shown and described.

DESCRIPTION

FIG. 1 is a perspective view of a snips according to the invention.

FIG. 2 is a left side view of the snips shown in FIG. 1.

FIG. 3 is a right side view of the snips shown in FIG. 1.

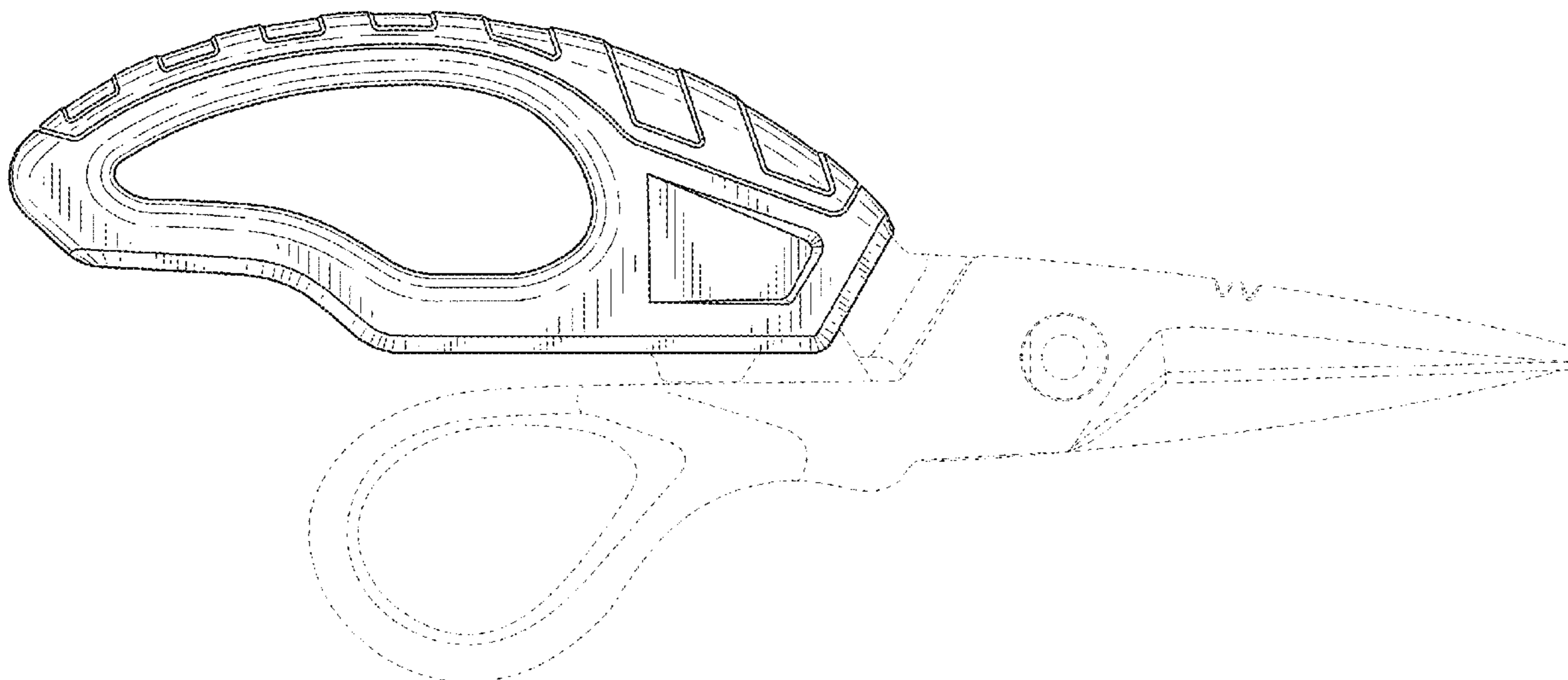
FIG. 4 is a front end view of the snips shown in FIG. 1.

FIG. 5 is a back end view of the snips shown in FIG. 1.

FIG. 6 is a top side view of the snips shown in FIG. 1; and,

FIG. 7 is a bottom side view of the snips shown in FIG. 1.

1 Claim, 5 Drawing Sheets



(56)

References Cited

FOREIGN PATENT DOCUMENTS

FR	1095789	6/1955
GB	545515	5/1942
GB	966058	8/1964
TW	M308158	3/2007

* cited by examiner

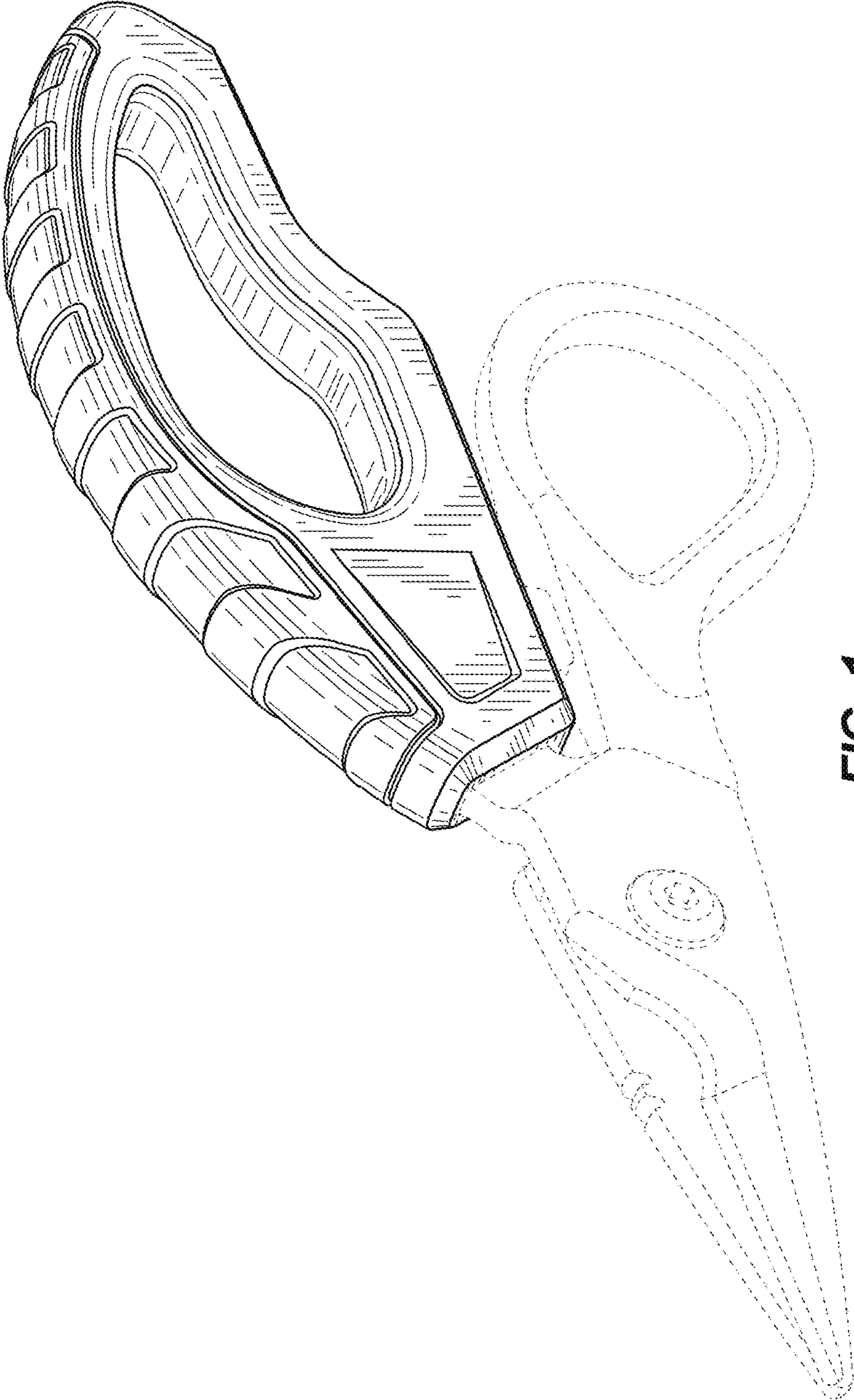


FIG. 1

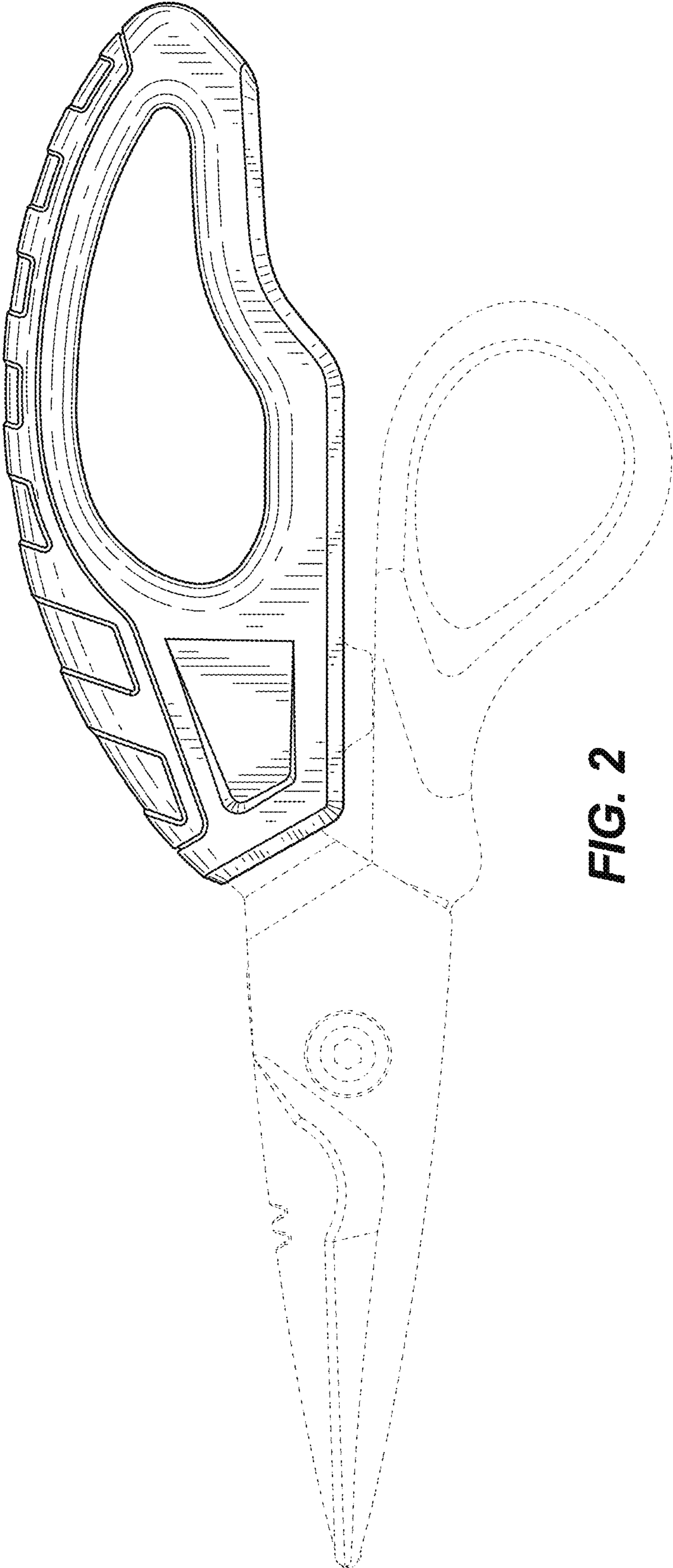


FIG. 2

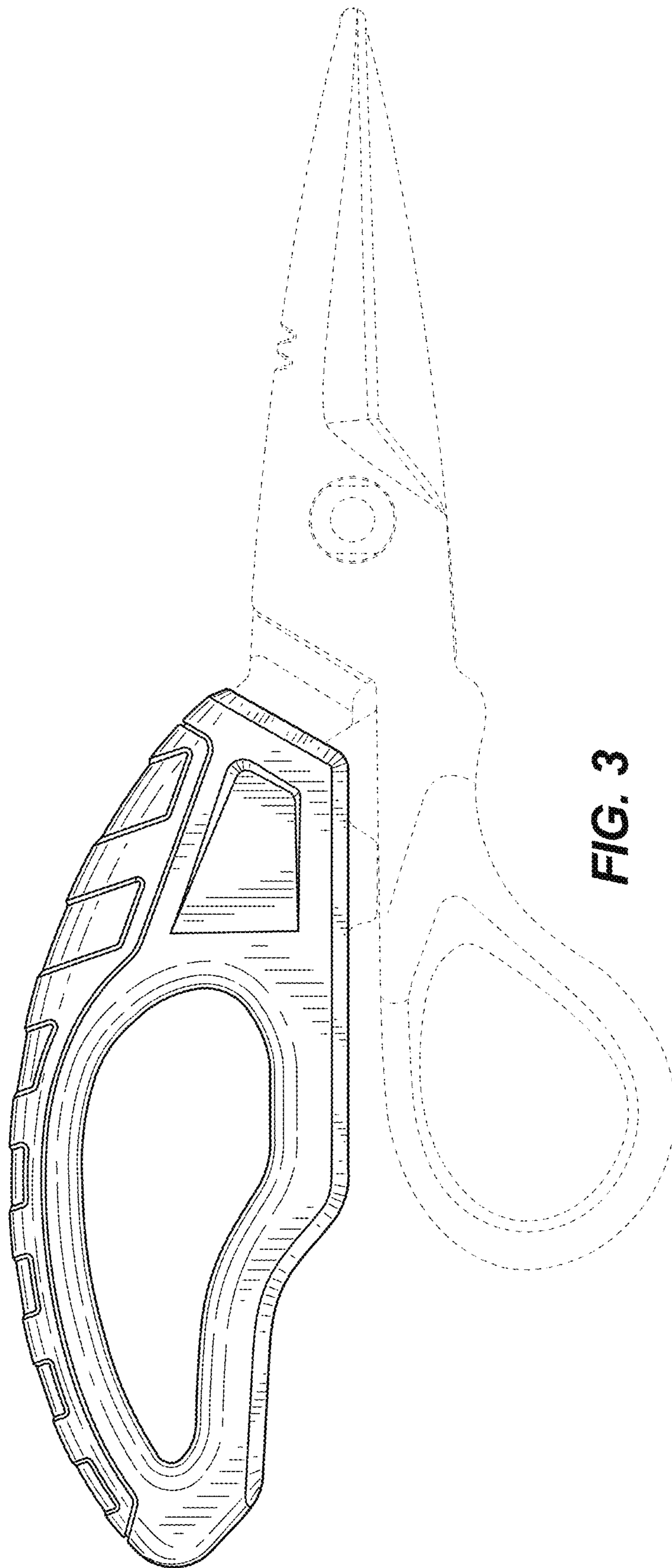


FIG. 3

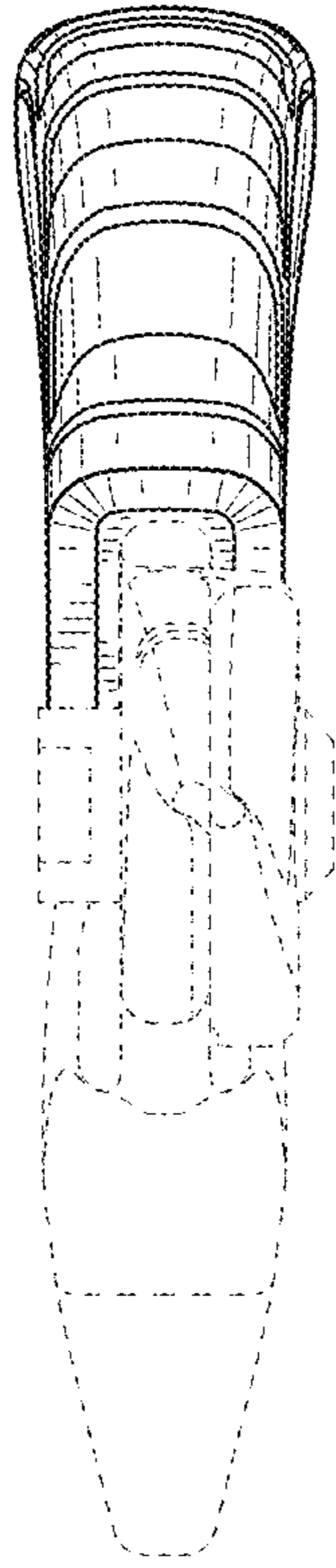


FIG. 4

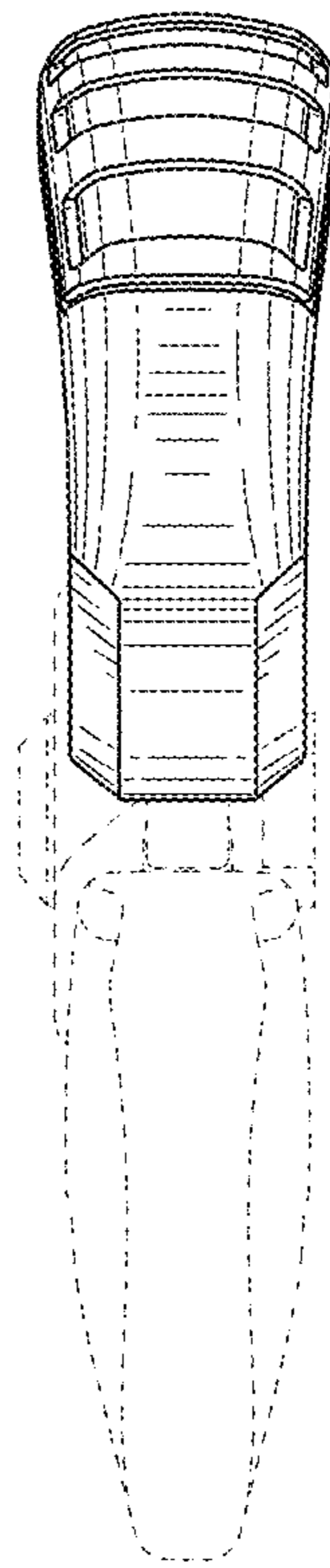


FIG. 5

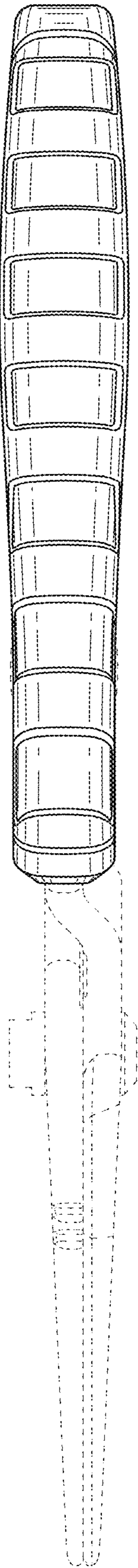


FIG. 6

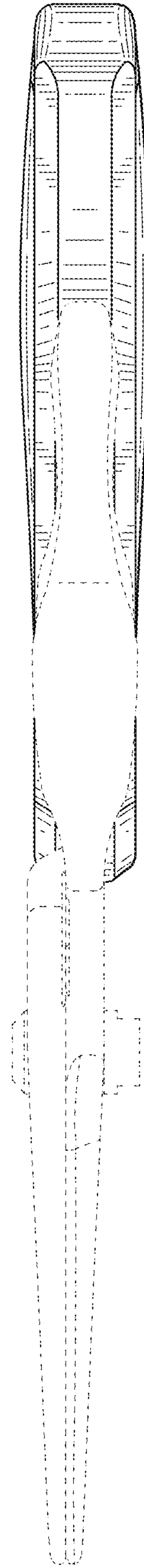


FIG. 7