



US00D823085S

(12) **United States Design Patent**  
**Huang**

(10) **Patent No.:** **US D823,085 S**  
(45) **Date of Patent:** **\*\* Jul. 17, 2018**

- (54) **CABLE SCISSORS**
- (71) Applicant: **NUSHARP INC.**, Taichung (TW)
- (72) Inventor: **Te-Chien Huang**, Taichung (TW)
- (73) Assignee: **NUSHARP INC.**, Taichung (TW)
- (\*\*) Term: **15 Years**
- (21) Appl. No.: **29/608,302**
- (22) Filed: **Jun. 21, 2017**
- (51) **LOC (11) Cl.** ..... **08-05**
- (52) **U.S. Cl.**  
USPC ..... **D8/52**
- (58) **Field of Classification Search**  
USPC ..... D8/51-60, 107  
CPC ..... Y10T 16/476; B25B 7/00  
See application file for complete search history.

- D609,541 S \* 2/2010 Hutchfield ..... D8/52
- 7,918,148 B2 \* 4/2011 Lin ..... H02G 1/1229  
30/90.6
- D652,277 S \* 1/2012 Cunningham ..... D8/5
- D778,133 S \* 2/2017 Steiner ..... D8/52

\* cited by examiner

*Primary Examiner* — Deanna L Pratt  
(74) *Attorney, Agent, or Firm* — Bruce Stone LLP;  
Joseph Bruce

(57) **CLAIM**

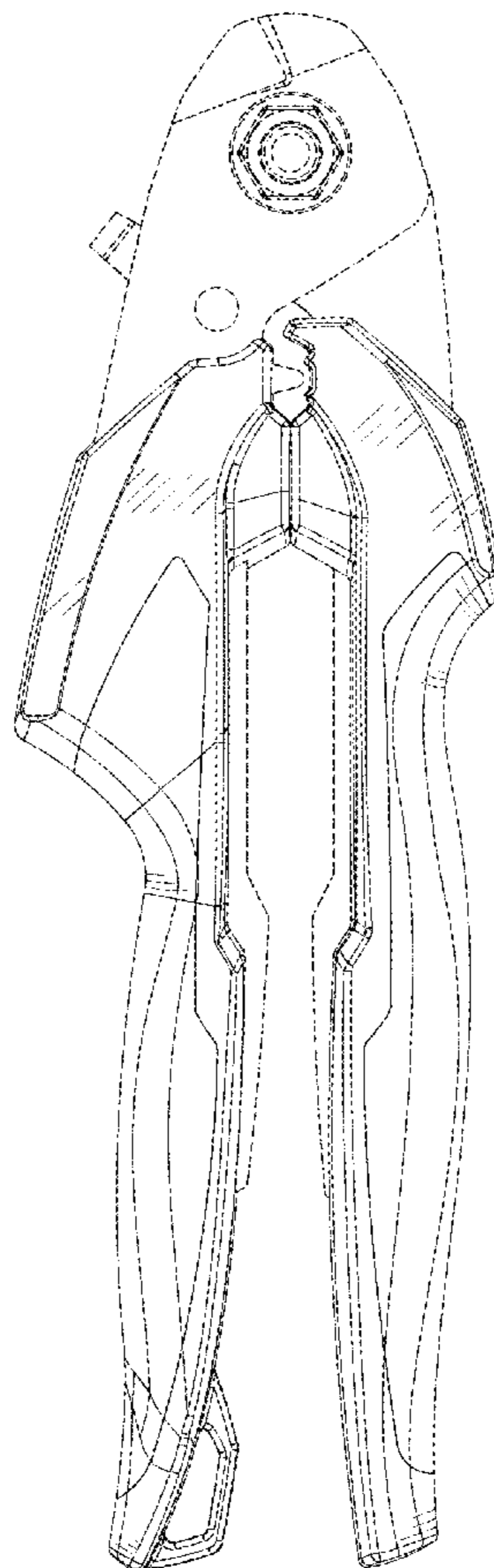
The ornamental design for cable scissors, as shown and described.

**DESCRIPTION**

FIG. 1 is a perspective view of a cable scissors showing my new design;  
FIG. 2 is a front view thereof;  
FIG. 3 is a rear view thereof;  
FIG. 4 is a left side view thereof;  
FIG. 5 is a right side view thereof;  
FIG. 6 is a top plan view thereof; and,  
FIG. 7 is a bottom plan view thereof.  
The broken lines in the drawings represent unclaimed environment only and form no part of claimed design.

- (56) **References Cited**  
U.S. PATENT DOCUMENTS  
D460,670 S \* 7/2002 Herzog ..... D8/52  
D461,108 S \* 8/2002 Herzog ..... D8/52  
D548,555 S \* 8/2007 Brady ..... D8/52

**1 Claim, 6 Drawing Sheets**



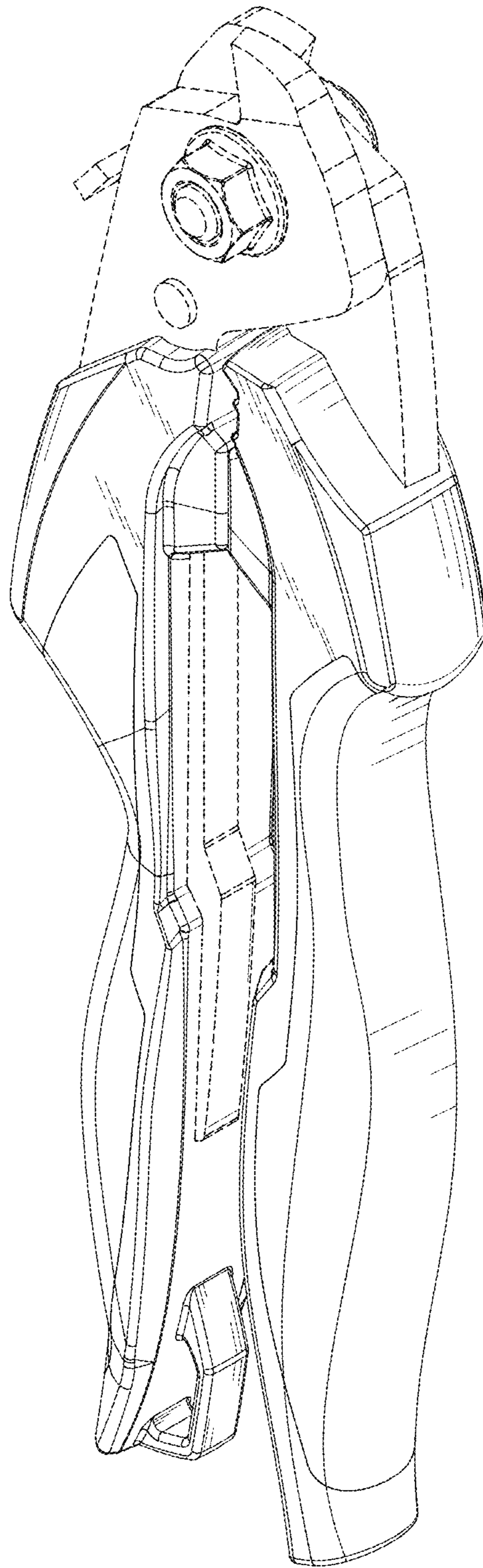


FIG.1

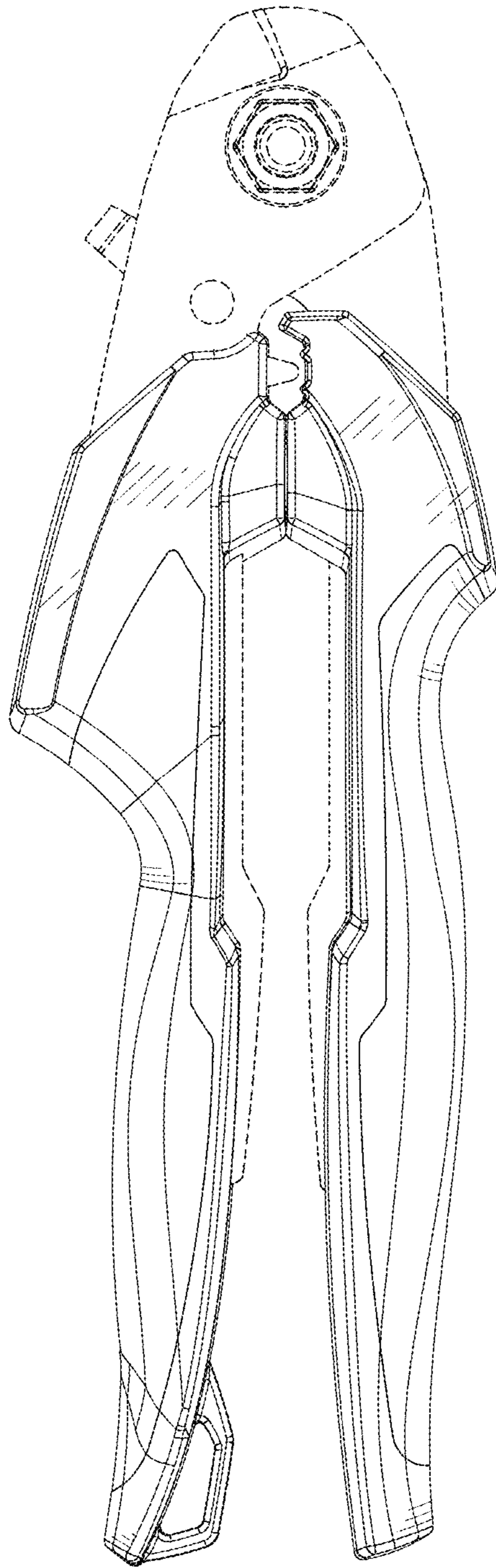


FIG.2

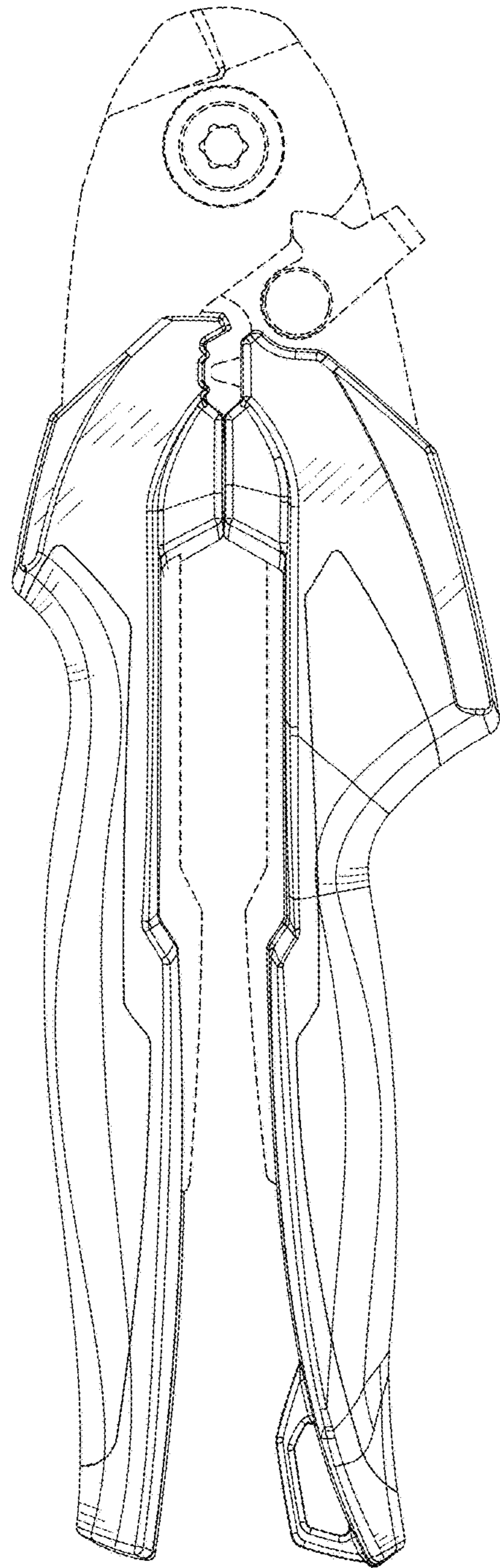


FIG.3

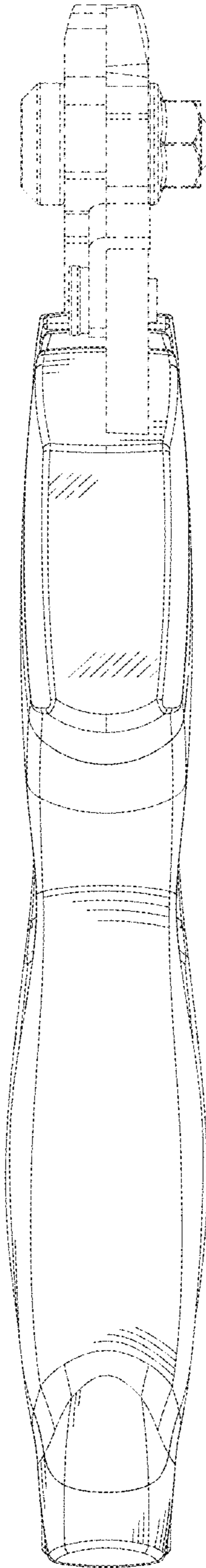


FIG.4

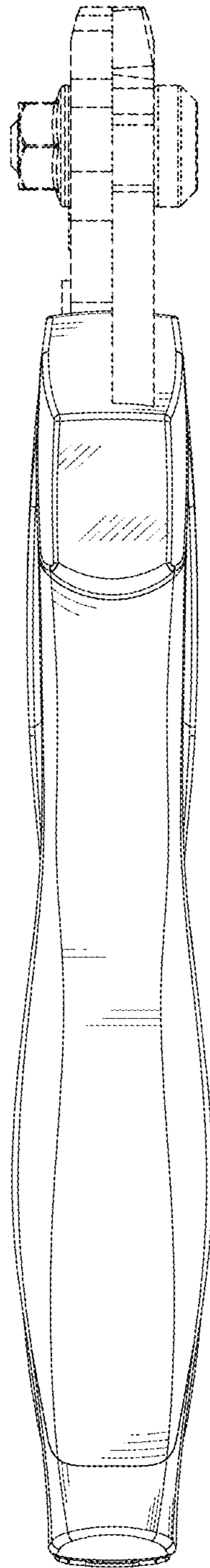


FIG.5

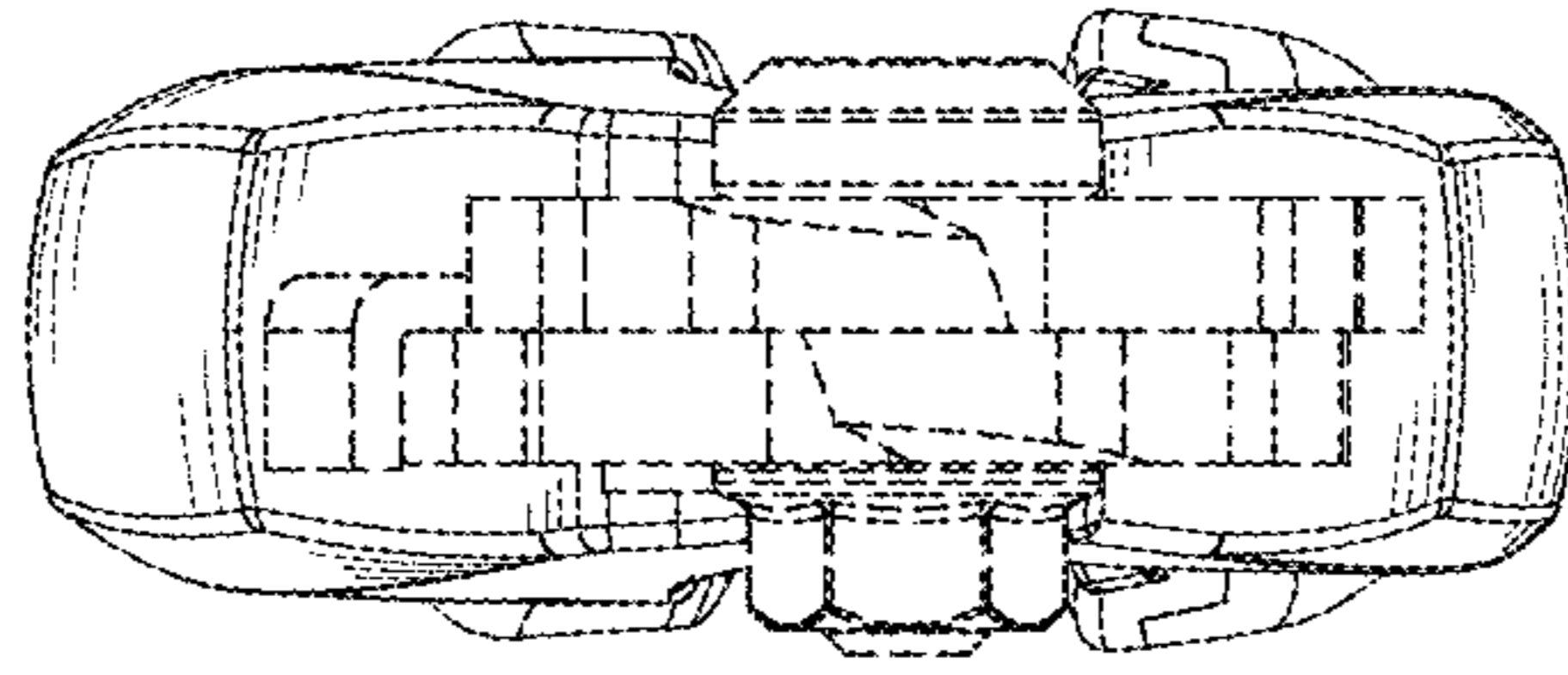


FIG. 6

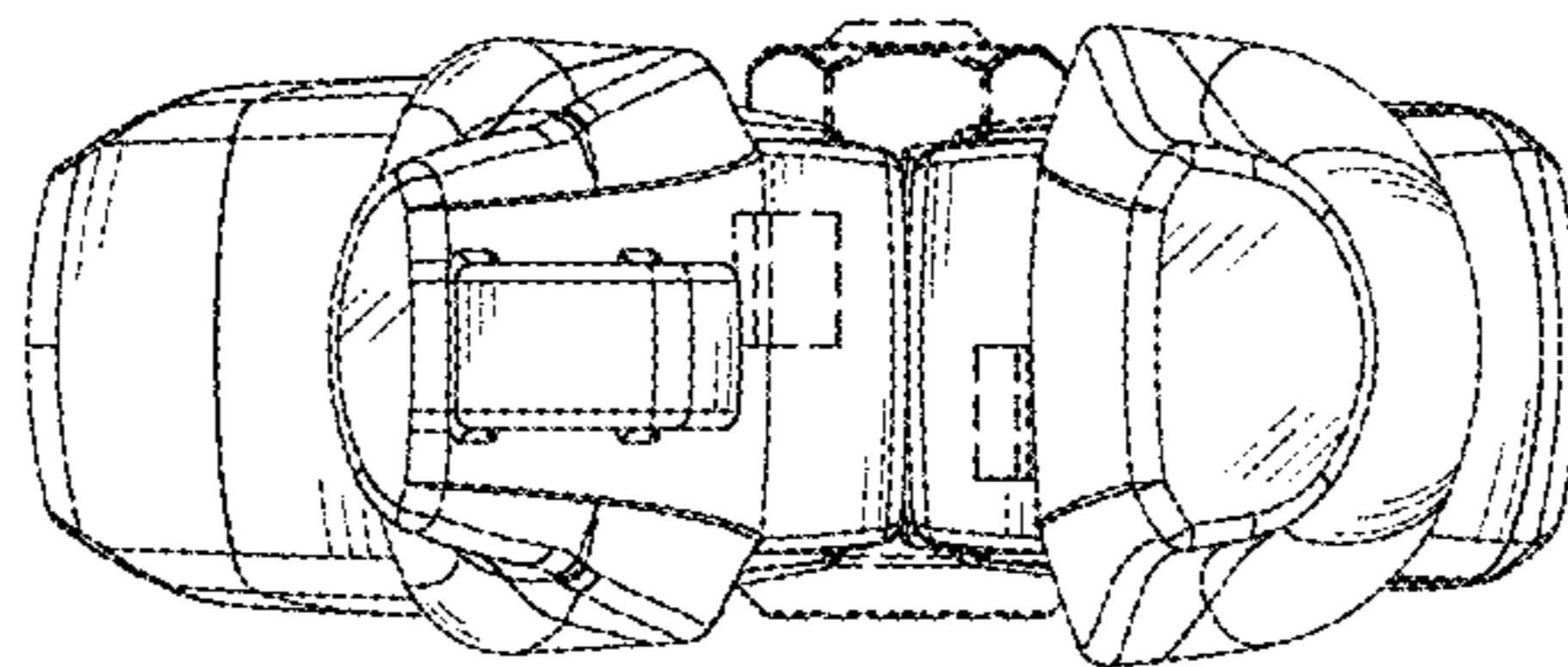


FIG. 7