



US00D823084S

(12) **United States Design Patent**
Graykowski et al.

(10) **Patent No.:** **US D823,084 S**
(45) **Date of Patent:** **** Jul. 17, 2018**

(54) **CRIMPERS**
(71) Applicant: **Milwaukee Electric Tool Corporation**,
Brookfield, WI (US)
(72) Inventors: **Anthony S. Graykowski**, Port
Washington, WI (US); **Matthew A.**
Lownik, West Allis, WI (US)

D757,510 S * 5/2016 Caglar D8/21
D771,458 S * 11/2016 Yen D8/52
9,492,911 B2 * 11/2016 Hyma B25B 7/123
D778,133 S * 2/2017 Steiner D8/52
9,701,004 B2 * 7/2017 Hardinge B25F 1/003
D811,186 S * 2/2018 Hyma D8/51
2016/0207175 A1 * 7/2016 Hyma B25B 7/123
2017/0087695 A1 * 3/2017 Hyma B25B 7/123

(73) Assignee: **MILWAUKEE ELECTRIC TOOL CORPORATION**, Brookfield, WI (US)
(**) Term: **15 Years**

FOREIGN PATENT DOCUMENTS

CN 303326656 8/2015
CN 303735578 7/2016
CN 304070368 3/2017

(21) Appl. No.: **29/592,659**
(22) Filed: **Feb. 1, 2017**
(51) **LOC (11) Cl.** **08-05**
(52) **U.S. Cl.**
USPC **D8/52**
(58) **Field of Classification Search**
USPC D8/51-60, 107
CPC . B25G 1/102; B25G 1/12; B25G 1/10; B25G
1/01
See application file for complete search history.

* cited by examiner

Primary Examiner — Deanna L Pratt
(74) *Attorney, Agent, or Firm* — Michael Best &
Friedrich LLP

(56) **References Cited**

U.S. PATENT DOCUMENTS

D395,217 S * 6/1998 Start D8/107
5,992,002 A * 11/1999 Hung H01R 43/0421
29/33 M
6,968,726 B2 * 11/2005 Wang H01R 43/0421
29/566.4
D532,662 S * 11/2006 Chang D8/52
D600,092 S * 9/2009 Peterson D8/107
D639,627 S * 6/2011 Seeds D8/52
D693,197 S * 11/2013 Hutchfield D8/51
D693,198 S * 11/2013 Hutchfield D8/51

(57) **CLAIM**

We claim the ornamental design for a crimpers, as shown and described.

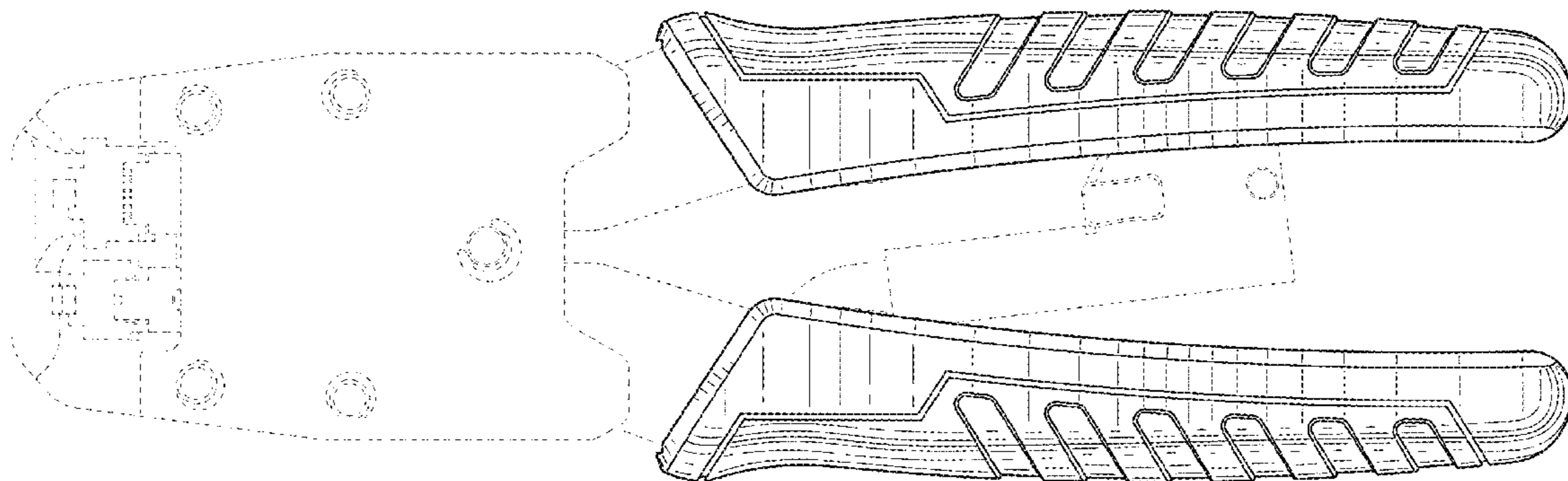
DESCRIPTION

FIG. 1 is a perspective view of a crimpers according to an embodiment of the invention.

FIG. 2 is a left side view of the crimpers shown in FIG. 1.
FIG. 3 is a right side view of the crimpers shown in FIG. 1.
FIG. 4 is a front end view of the crimpers shown in FIG. 1.
FIG. 5 is a back end view of the crimpers shown in FIG. 1.
FIG. 6 is a top side view of the crimpers shown in FIG. 1; and,
FIG. 7 is a bottom side view of the crimpers shown in FIG. 1.

The portions of the handheld tool shown in broken lines are included for the purpose of illustrating environment and form no part of the claimed design.

1 Claim, 5 Drawing Sheets



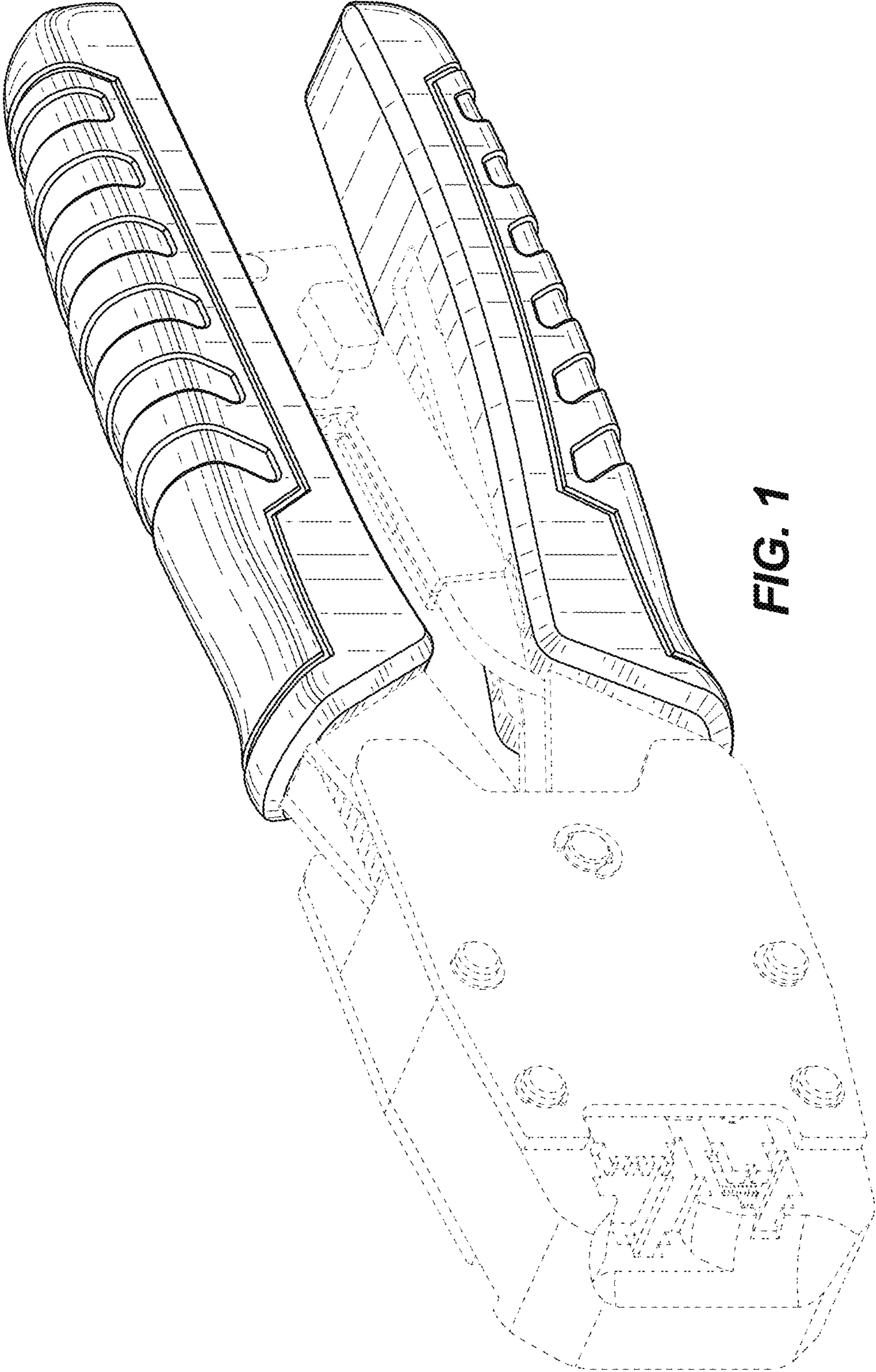


FIG. 1

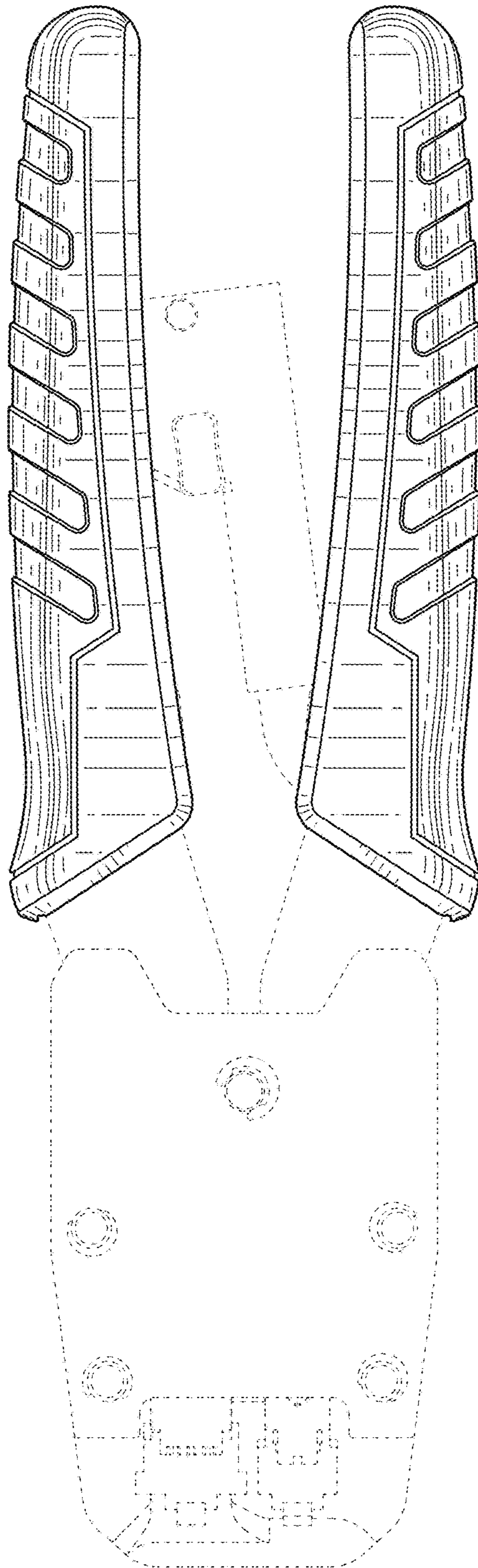


FIG. 2

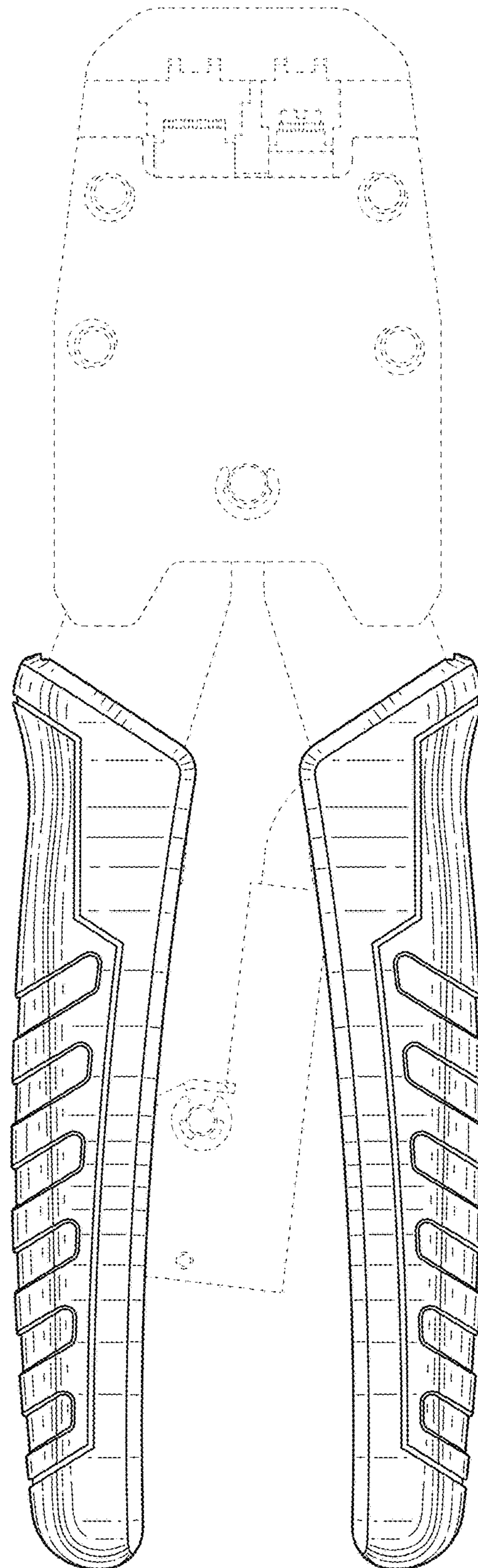


FIG. 3

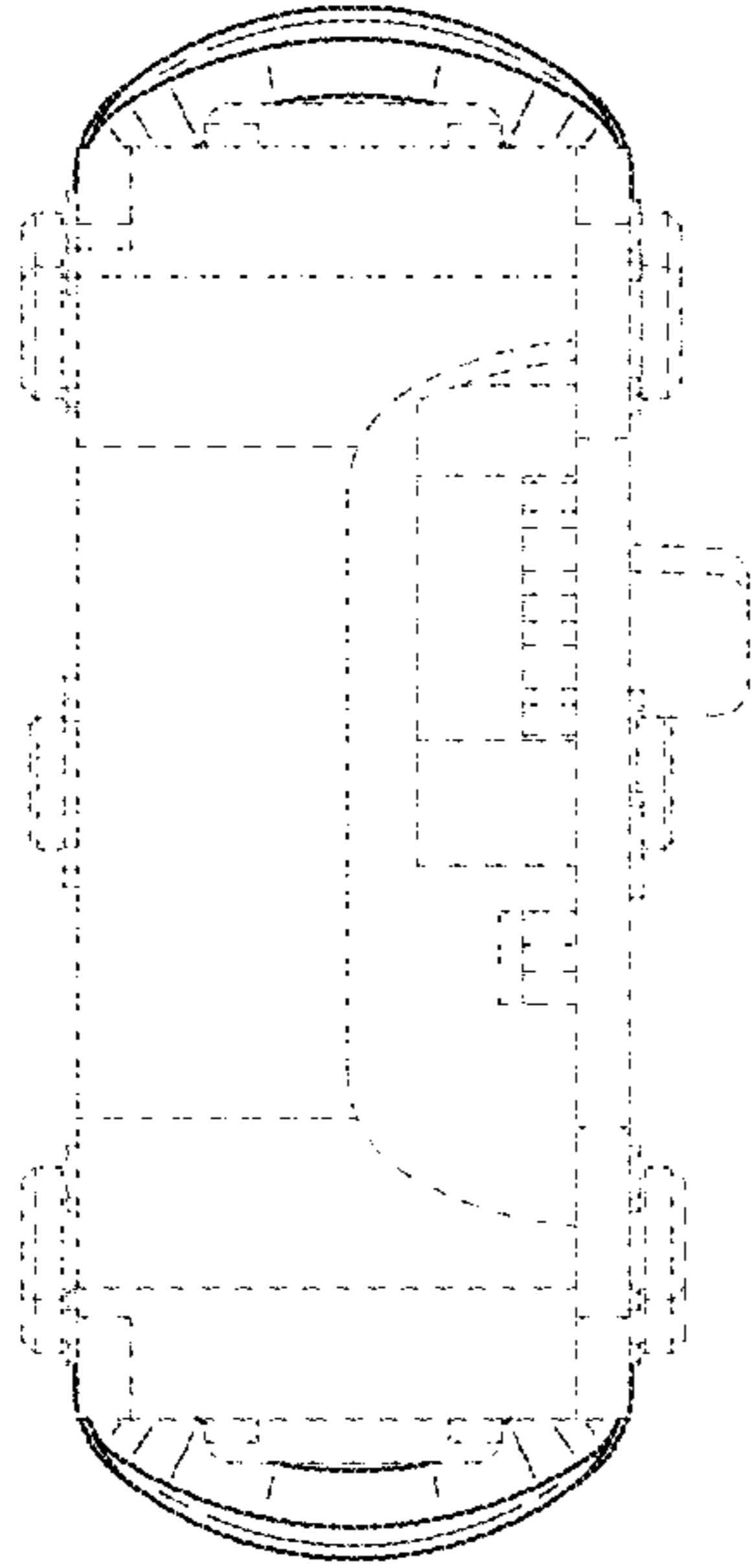


FIG. 4

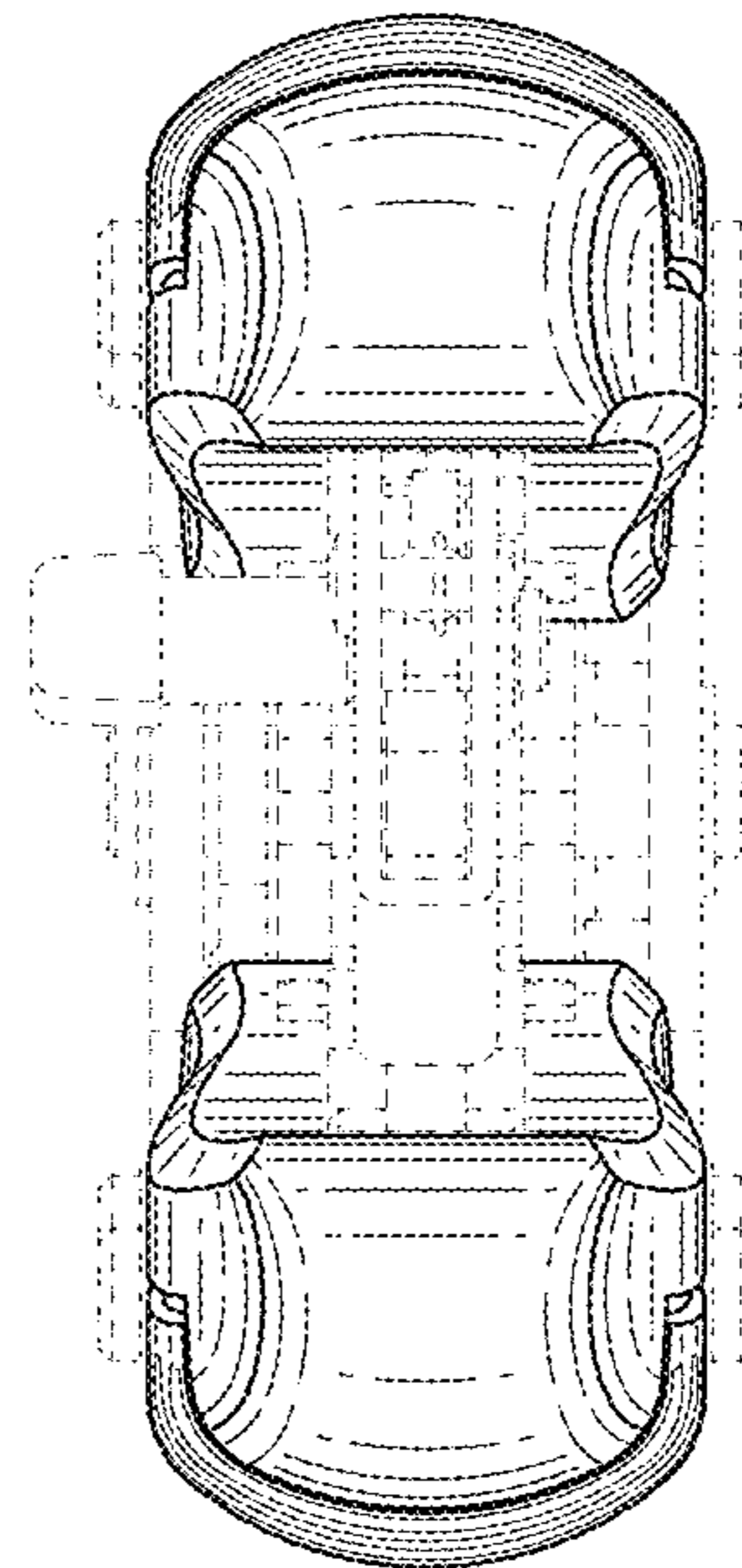


FIG. 5

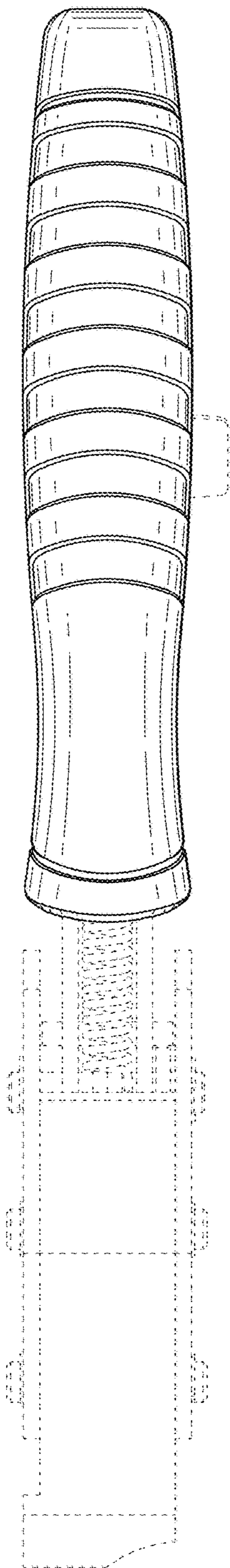


FIG. 6

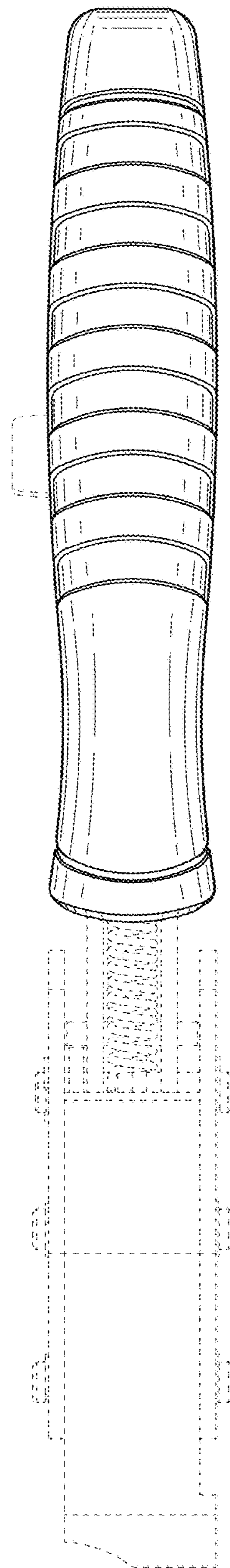


FIG. 7