



US00D823082S

(12) **United States Design Patent**  
**McCutchen et al.**

(10) **Patent No.:** **US D823,082 S**  
(45) **Date of Patent:** **\*\* Jul. 17, 2018**

(54) **SOCKET ADAPTOR FOR SQUARE NUT**  
(71) Applicant: **James McCutchen**, Greer, SC (US)  
(72) Inventors: **James McCutchen**, Greer, SC (US);  
**John O. Roper**, Fountain Inn, SC (US)

D466,766 S \* 12/2002 Marty ..... D8/21  
7,156,849 B2 \* 1/2007 Dunbar ..... A61B 17/7091  
606/308  
D570,675 S \* 6/2008 Snider ..... D23/209  
D773,909 S \* 12/2016 Paddock ..... D8/21

\* cited by examiner

(73) Assignee: **James McCutchen**, Greer, SC (US)  
(\*\*) Term: **15 Years**

*Primary Examiner* — Randall H Gholson  
(74) *Attorney, Agent, or Firm* — JK Intellectual Property  
Law, PA

(21) Appl. No.: **29/617,185**

(57) **CLAIM**

(22) Filed: **Sep. 12, 2017**

The ornamental design for a socket adaptor for square nut,  
as shown and described.

(51) **LOC (11) Cl.** ..... **08-05**

**DESCRIPTION**

(52) **U.S. Cl.**  
USPC ..... **D8/21; D8/29**

(58) **Field of Classification Search**  
USPC ..... D8/21, 29; 81/60, 177.1, 177.85, 121.1,  
81/124.3, 165-170, 110.1, 176.2, 124.6,  
81/176.1, 176.15, 177.2, 186; 16/110.1  
CPC ..... B25B 13/06; B25B 13/065  
See application file for complete search history.

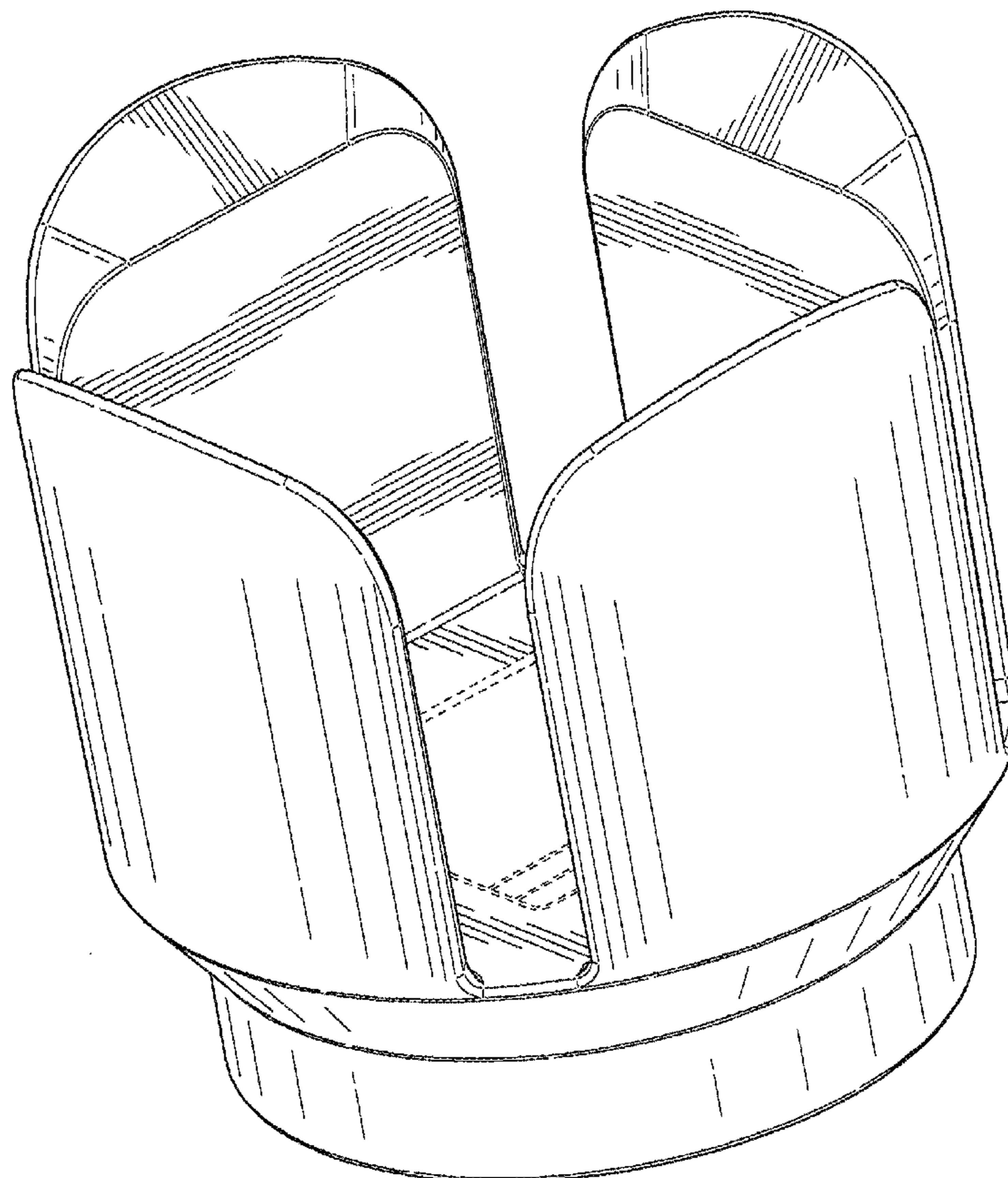
FIG. 1 is an isometric view of a socket adaptor for square nut  
according to the present design;  
FIG. 2 is a side view thereof;  
FIG. 3 is a top view thereof;  
FIG. 4 is a bottom view thereof;  
FIG. 5 in an isometric view thereof in a use environment  
(attached to a handle and driving a nut).  
The broken lines shown in FIGS. 1-5 relating to an opening  
for receiving a tool, and in FIG. 5 illustrate a use environ-  
ment of the socket adaptor for square nut, and do not form  
part of the claimed design.

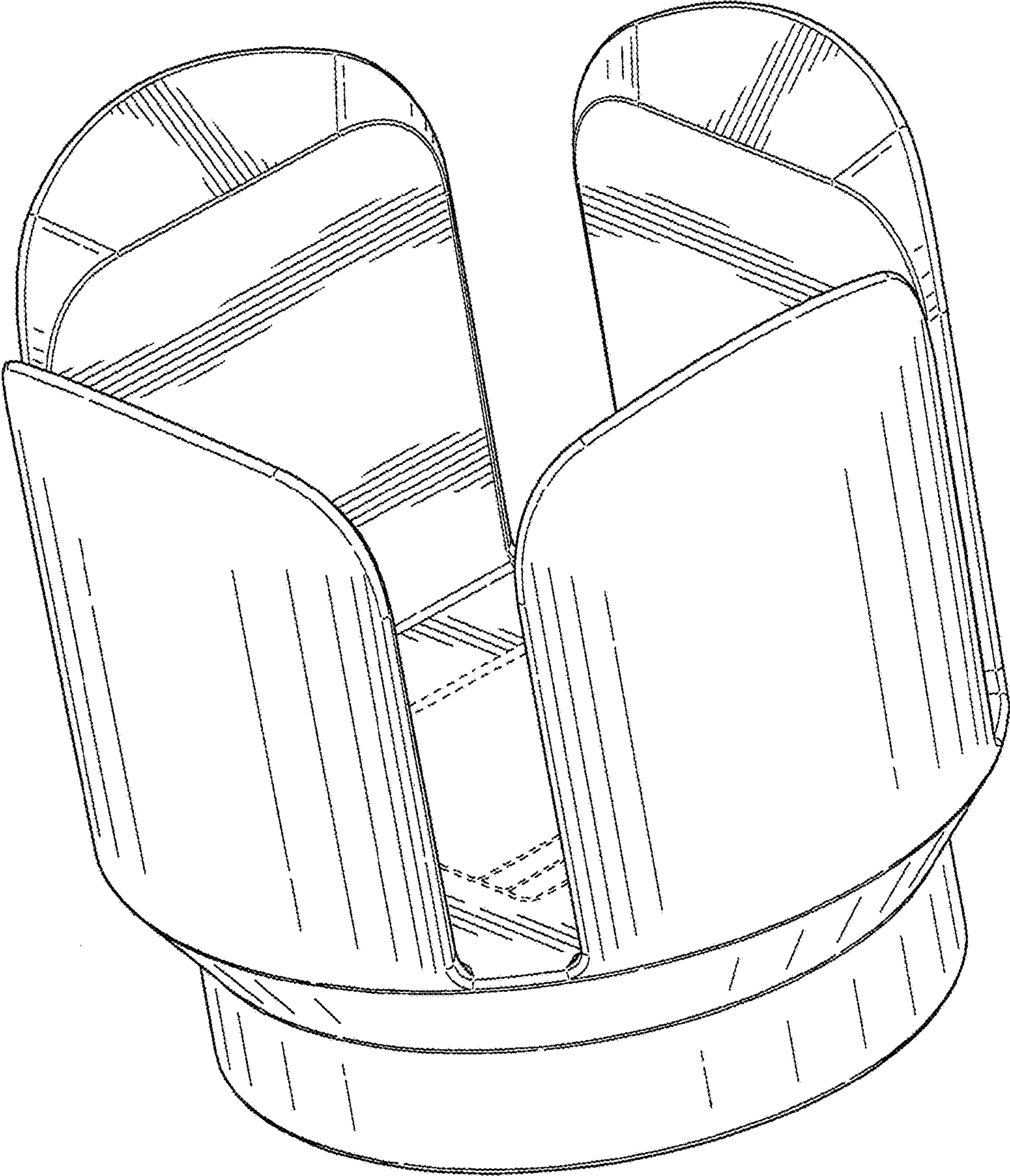
(56) **References Cited**

U.S. PATENT DOCUMENTS

D364,542 S \* 11/1995 Pollard ..... D8/14  
D370,606 S \* 6/1996 Cole ..... D8/21

**1 Claim, 5 Drawing Sheets**





**FIG. 1**

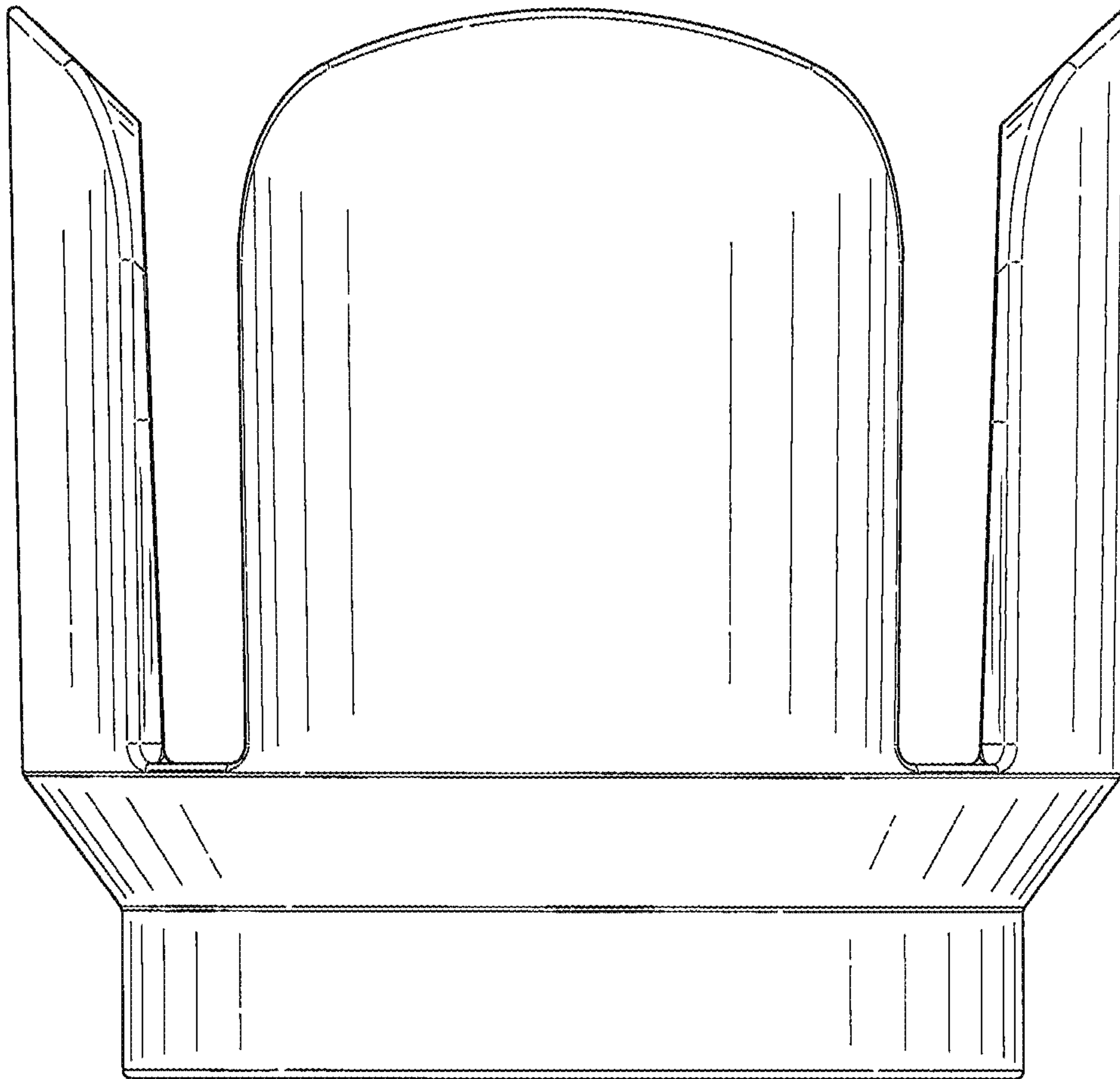


FIG. 2

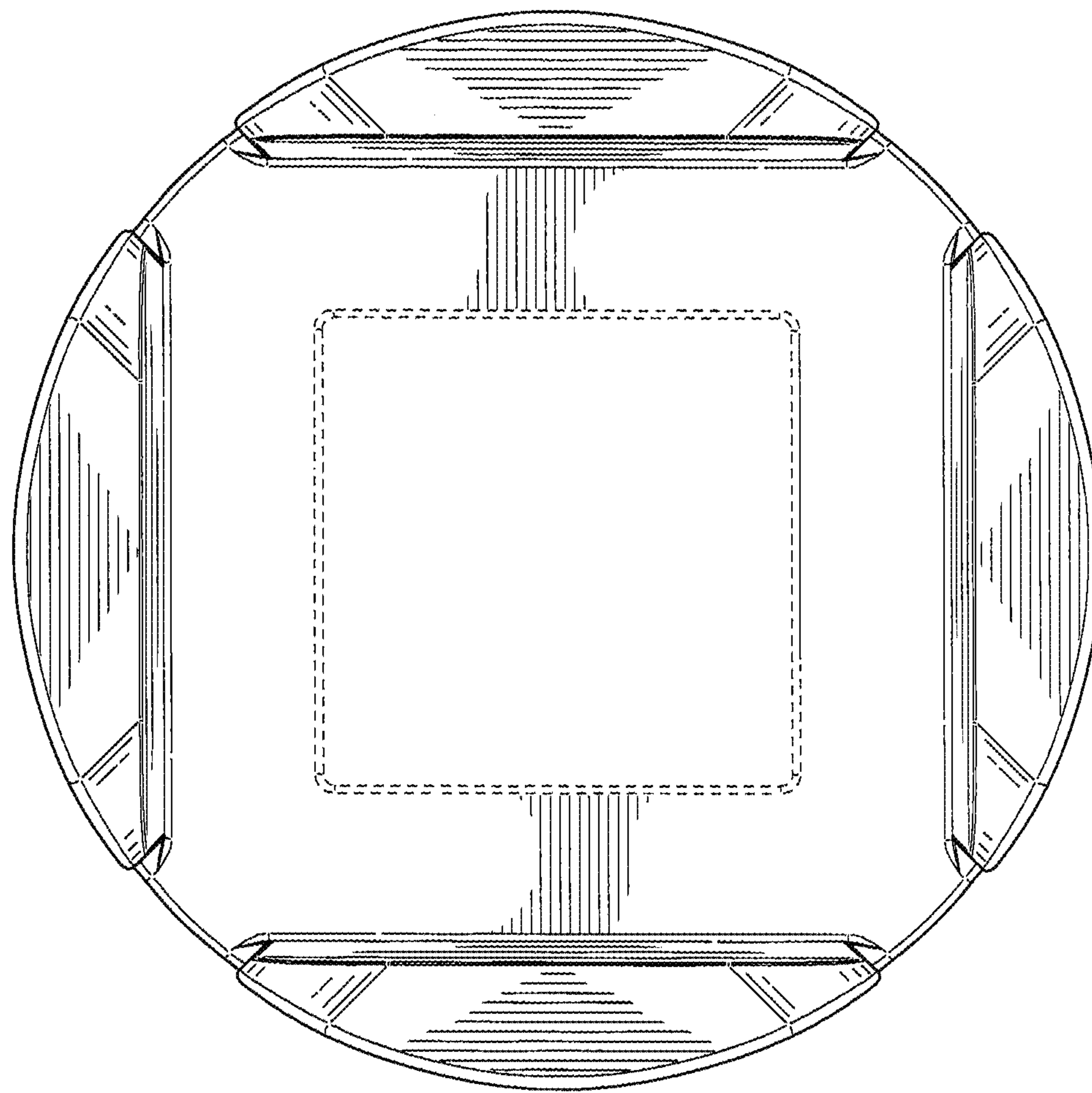


FIG. 3

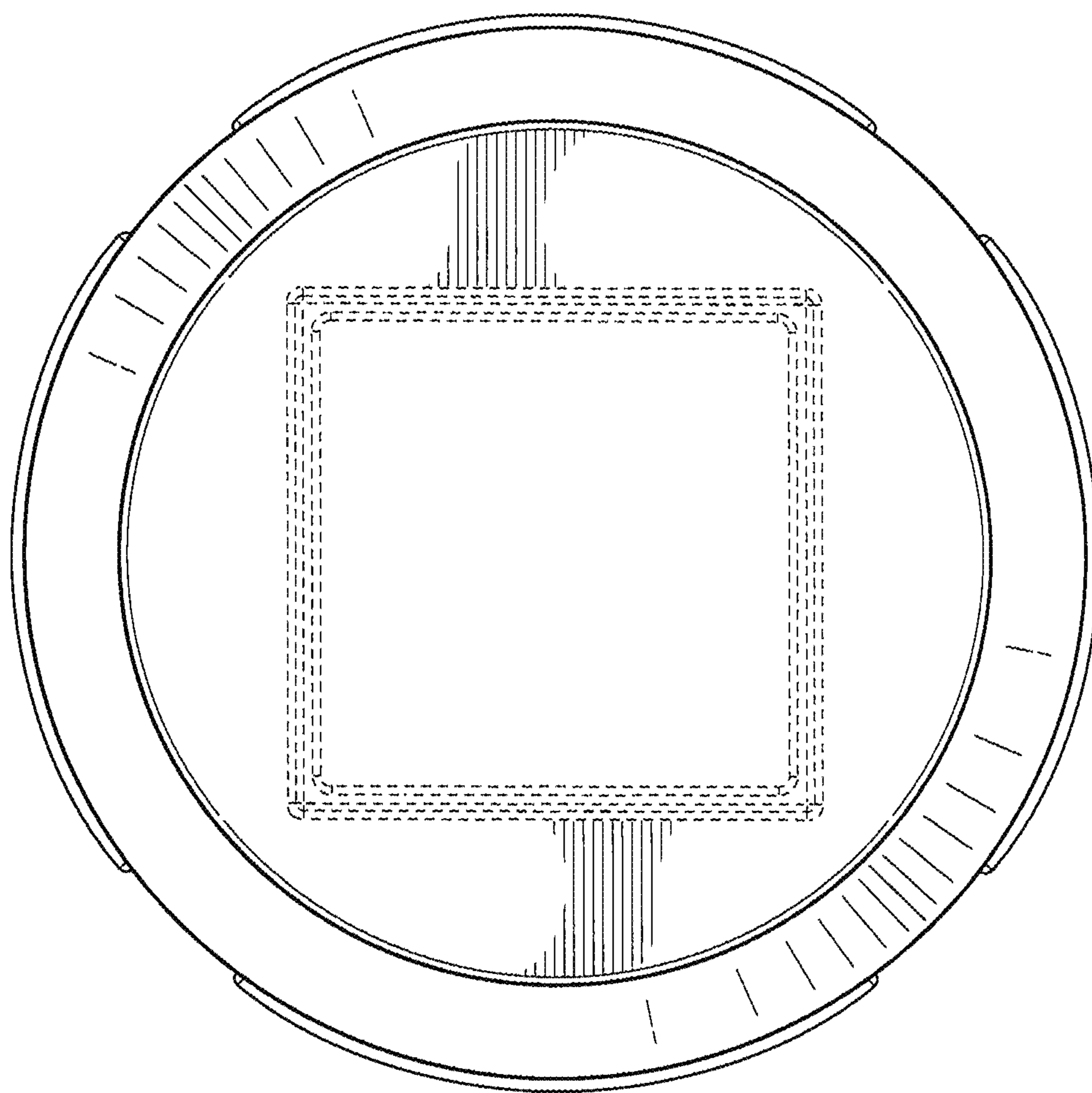


FIG. 4

