



US00D823080S

(12) **United States Design Patent**
Cigarini et al.

(10) **Patent No.:** **US D823,080 S**
(45) **Date of Patent:** **** Jul. 17, 2018**

- (54) **HEAD TRIMMER**
- (71) Applicant: **TECOMEC S.R.L.**, Reggio Emilia (IT)
- (72) Inventors: **Enrico Cigarini**, Reggio Emilia (IT);
Salvatore Longo, Cadelbosco Sopra (IT)
- (73) Assignee: **TECOMEC S.R.L.**, Reggio Emilia (IT)
- (**) Term: **15 Years**
- (21) Appl. No.: **29/598,192**
- (22) Filed: **Mar. 23, 2017**

- 6,108,914 A 8/2000 Sheldon
- D460,904 S 7/2002 Riley et al.
- D465,975 S 11/2002 Iacona
- D479,961 S 9/2003 Iacona
- D482,581 S 11/2003 Nystrom
- D482,941 S 12/2003 Nystrom
- D502,368 S 3/2005 Nystrom et al.
- D532,263 S 11/2006 Iacona
- D560,107 S 1/2008 Grey
- D584,581 S 1/2009 Bradford
- D597,804 S 8/2009 Alliss
- D598,254 S 8/2009 Alliss
- D598,255 S 8/2009 Alliss
- 7,640,668 B2 1/2010 Iacona
- D630,068 S 1/2011 Proulx
- 7,882,642 B2 2/2011 Proulx

(Continued)

(30) **Foreign Application Priority Data**

Oct. 7, 2016 (EM) 003410737-0003

- (51) **LOC (11) Cl.** **08-01**
- (52) **U.S. Cl.**
USPC **D8/8**
- (58) **Field of Classification Search**
USPC D8/1, 7, 8, 9, 383, 499; D15/17
CPC A01D 34/01; A01D 34/4161; A01D
34/4165; A01D 34/4166; A01D 34/4167;
A01D 34/015; A01D 34/84; A01G 3/062
See application file for complete search history.

(56) **References Cited**

U.S. PATENT DOCUMENTS

- 4,152,832 A 5/1979 Akaike et al.
- D254,173 S 2/1980 Proulx
- 4,195,408 A 4/1980 Palmieri et al.
- 4,276,691 A 7/1981 Palmieri et al.
- 4,349,962 A 9/1982 Itagaki et al.
- D346,727 S 5/1994 Eriksson
- D347,773 S 6/1994 Nash
- D362,600 S 9/1995 Kiyooka et al.
- D370,489 S 6/1996 Taggett et al.
- D376,741 S 12/1996 Sadlowski
- 5,979,064 A 11/1999 Kitz et al.

FOREIGN PATENT DOCUMENTS

WO 2013179318 A1 12/2013

Primary Examiner — Sandra S Snapp
Assistant Examiner — Ieisha N Price
(74) *Attorney, Agent, or Firm* — Pearne & Gordon LLP

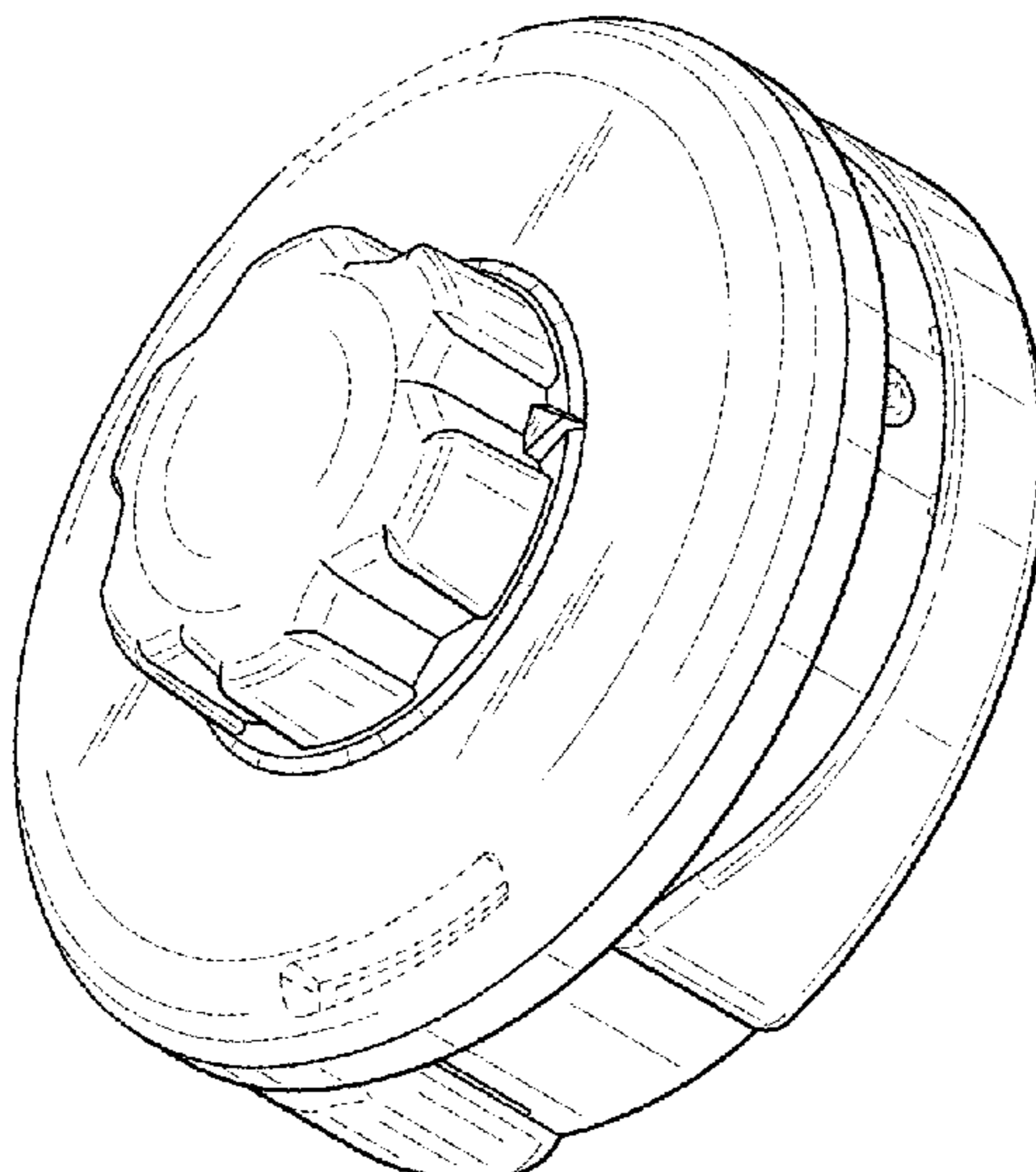
(57) **CLAIM**

The ornamental design for a head trimmer, as shown and described.

DESCRIPTION

FIG. 1 is a perspective view of a head trimmer, showing our new design;
FIG. 2 is a top view thereof;
FIG. 3 is a bottom view thereof;
FIG. 4 is a back view thereof;
FIG. 5 is a front view thereof;
FIG. 6 is a right side view thereof; and,
FIG. 7 is a left side view thereof.
The broken lines in the drawings illustrate portions of the head trimmer and form no part of the claimed design.

1 Claim, 3 Drawing Sheets



(56)

References Cited

U.S. PATENT DOCUMENTS

7,913,401 B2	3/2011	Iacona	2011/0119932 A1	5/2011	Pfaltzgraff et al.	
D638,678 S	5/2011	Proulx	2011/0214295 A1	9/2011	Proulx	
D638,679 S	5/2011	Proulx	2011/0225832 A1	9/2011	Alliss	
D653,920 S	2/2012	Cigarini	2011/0289785 A1	12/2011	Jerez	
D668,517 S	10/2012	Landberg	2011/0302791 A1	12/2011	Proulx et al.	
8,510,960 B2	8/2013	Pfaltzgraff et al.	2011/0302793 A1*	12/2011	Alliss	A01D 34/4165
8,567,073 B2	10/2013	Proulx				30/347
8,689,451 B2	4/2014	Cigarini	2012/0131804 A1	5/2012	Cigarini	
D715,608 S	10/2014	Cigarini	2012/0260508 A1	10/2012	Duvall	
8,869,405 B2	10/2014	Codeluppi et al.	2014/0033546 A1	2/2014	Arnetoli	
D720,970 S	1/2015	Hermann	2014/0215835 A1	8/2014	Racov et al.	
8,925,206 B2	1/2015	Cigarini	2014/0250699 A1	9/2014	Weimer et al.	
D727,116 S	4/2015	Tinius	2014/0259692 A1	9/2014	Racov et al.	
D727,695 S	4/2015	Tinius	2015/0010199 A1	1/2015	Kim et al.	
D759,445 S	6/2016	Tinius	2015/0101199 A1	4/2015	Cigarini	
D763,640 S	8/2016	Cigarini et al.	2015/0223395 A1	8/2015	Pellenc et al.	
D776,995 S	1/2017	Schoch	2015/0289446 A1	10/2015	Duvall	
D776,997 S	1/2017	Tinius	2015/0327436 A1	11/2015	Skinner et al.	
D796,293 S *	9/2017	Alliss	2015/0366131 A1	12/2015	Skinner	
2002/0189107 A1	12/2002	Arnetoli	2016/0106032 A1	4/2016	Cigarini et al.	
2007/0214655 A1	9/2007	Arnetoli	2016/0106033 A1	4/2016	Longo et al.	
2008/0053052 A1	3/2008	Cigarini	2016/0106034 A1*	4/2016	Arnetoli	A01D 34/4166
2009/0172955 A1	7/2009	Morris et al.				30/276
2010/0154229 A1	6/2010	Iacona	2016/0106035 A1	4/2016	Longo et al.	
2010/0180451 A1	7/2010	Reynolds et al.	2016/0143219 A1	5/2016	Yuan et al.	
2011/0000091 A1	1/2011	Pfaltzgraff et al.	2016/0235001 A1	8/2016	Cigarini et al.	
			2016/0330903 A1*	11/2016	Miller	A01D 34/4167
			2017/0094900 A1*	4/2017	Arnetoli	A01D 34/4166
			2017/0208739 A1*	7/2017	Arnetoli	A01D 34/4166

* cited by examiner

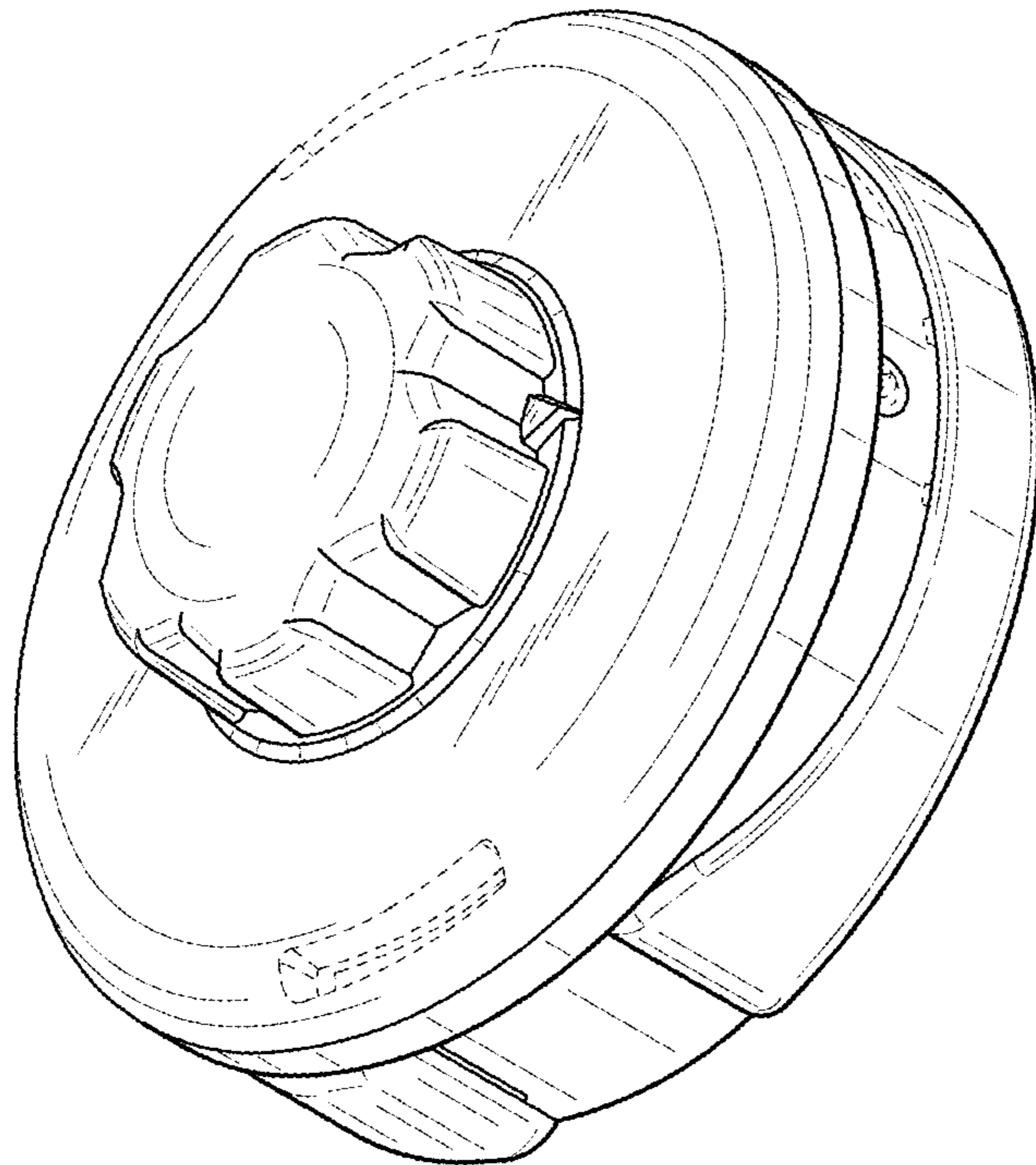


FIG. 1

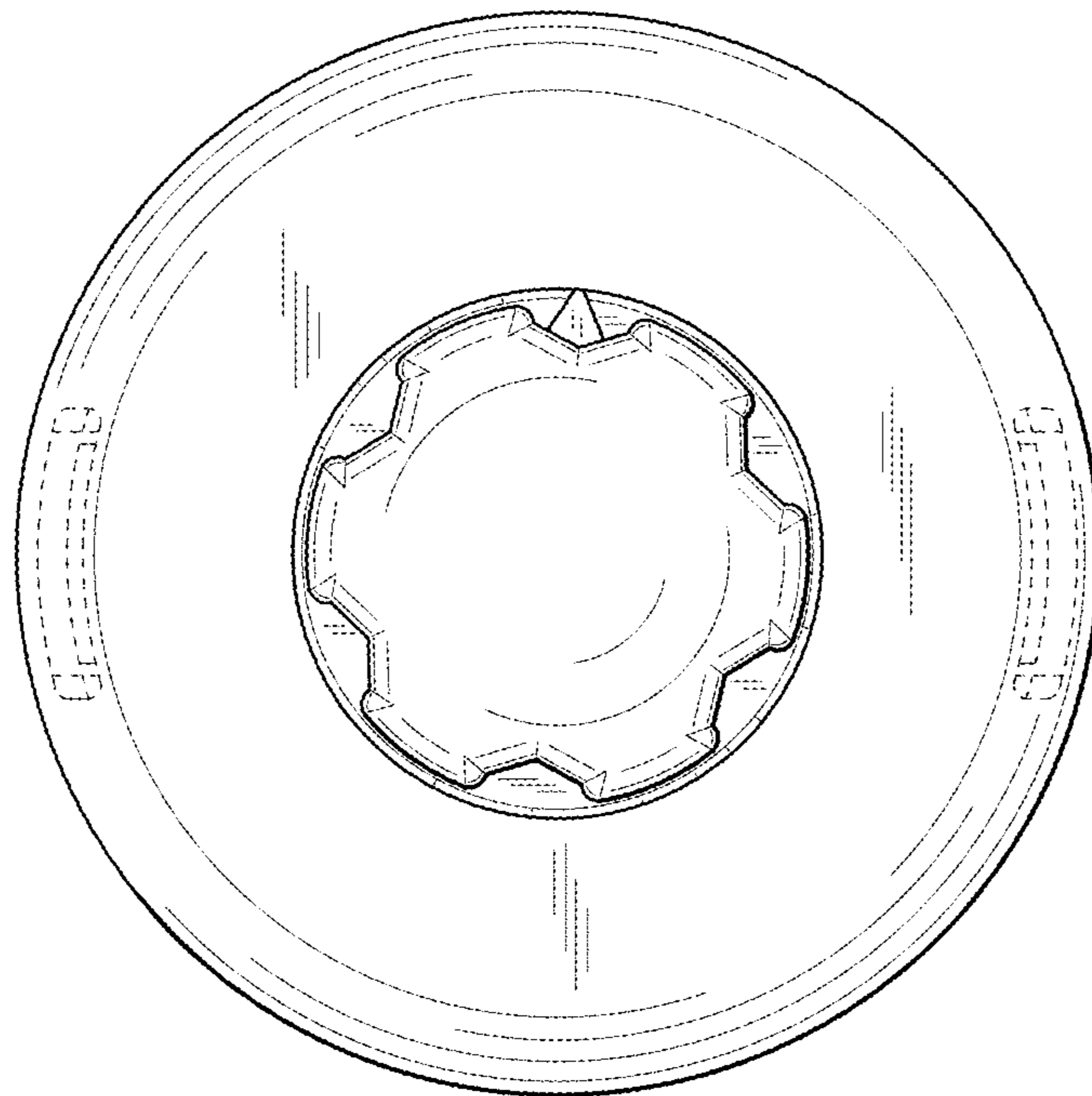


FIG. 2

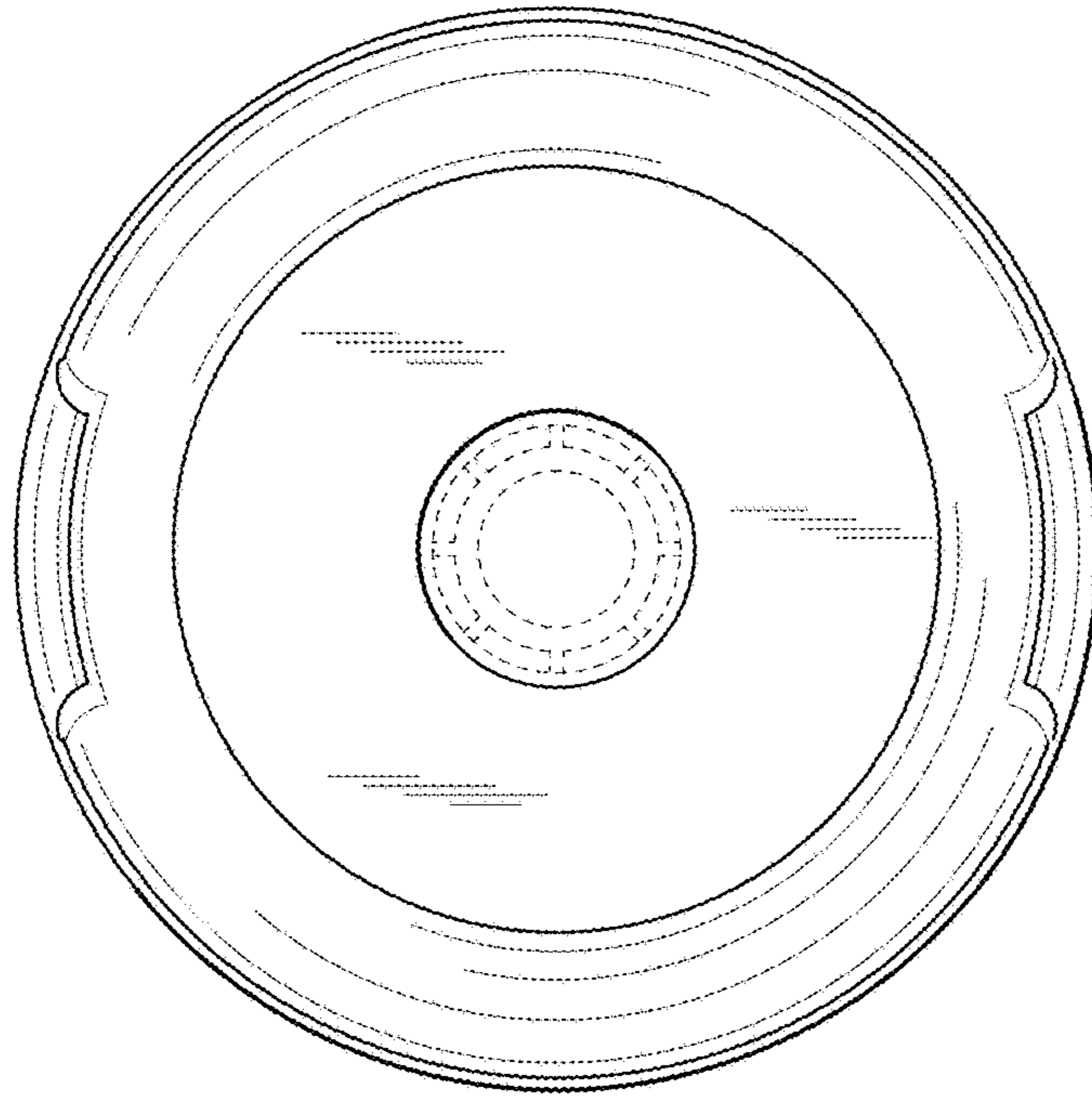


FIG. 3

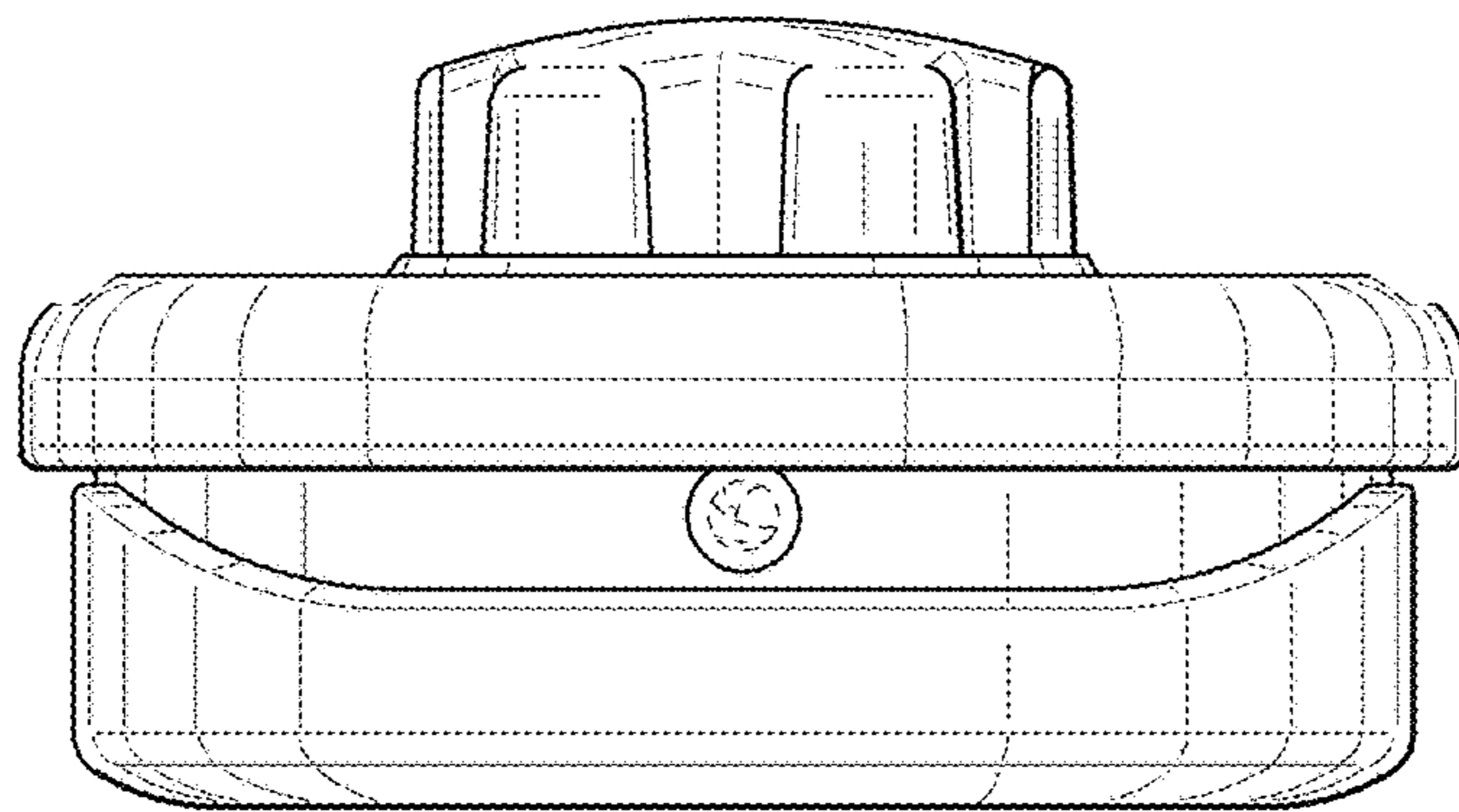


FIG. 4

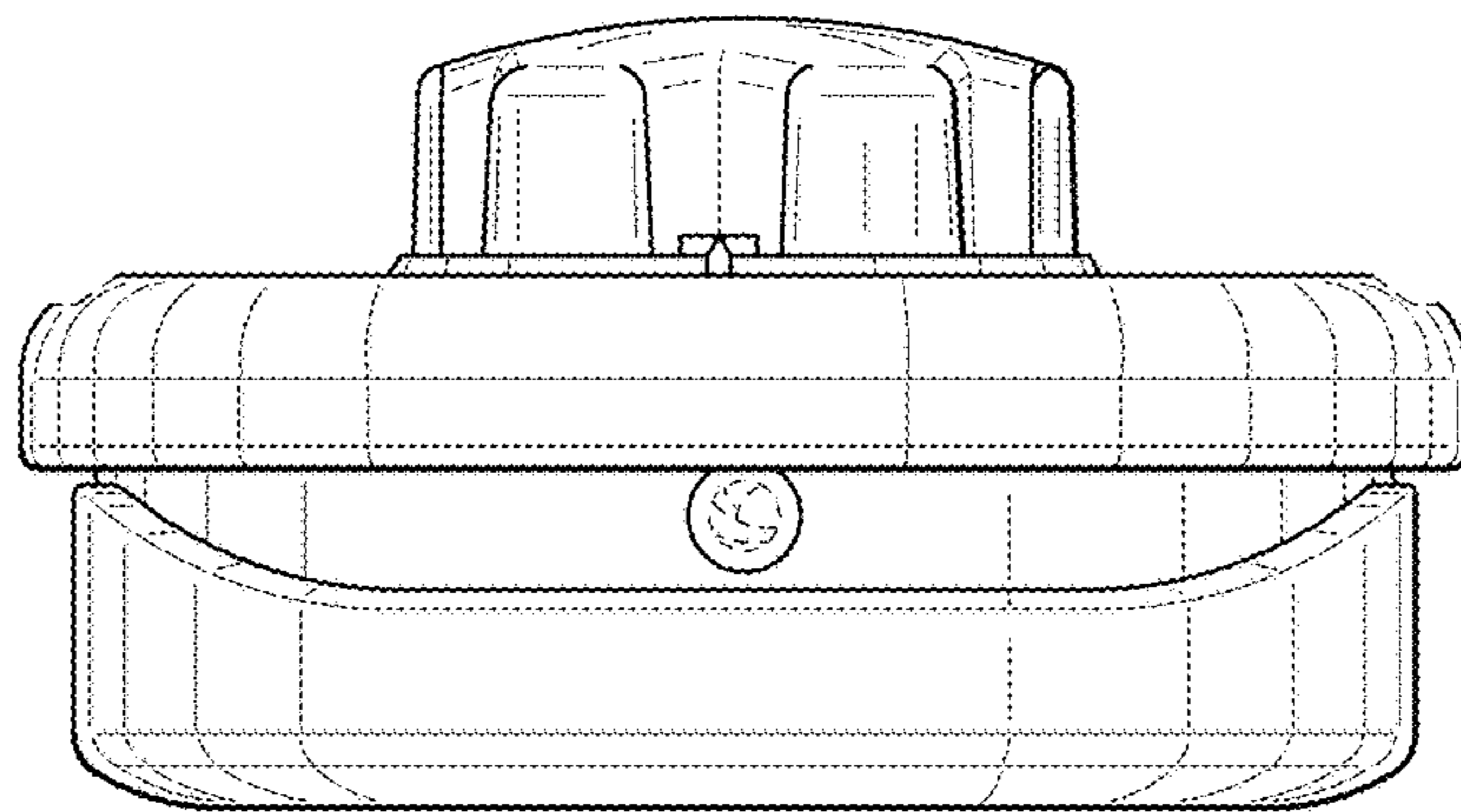


FIG. 5

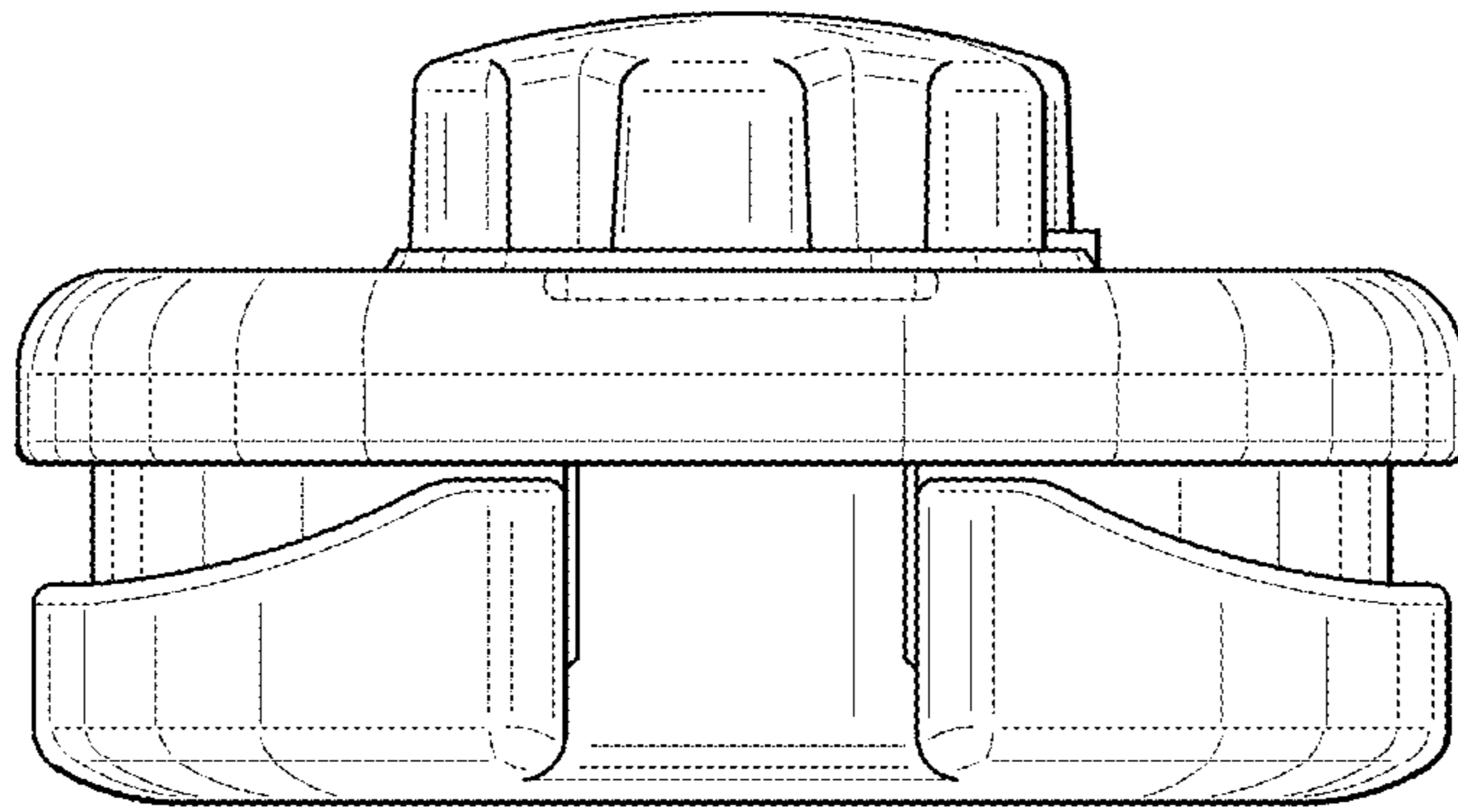


FIG. 6

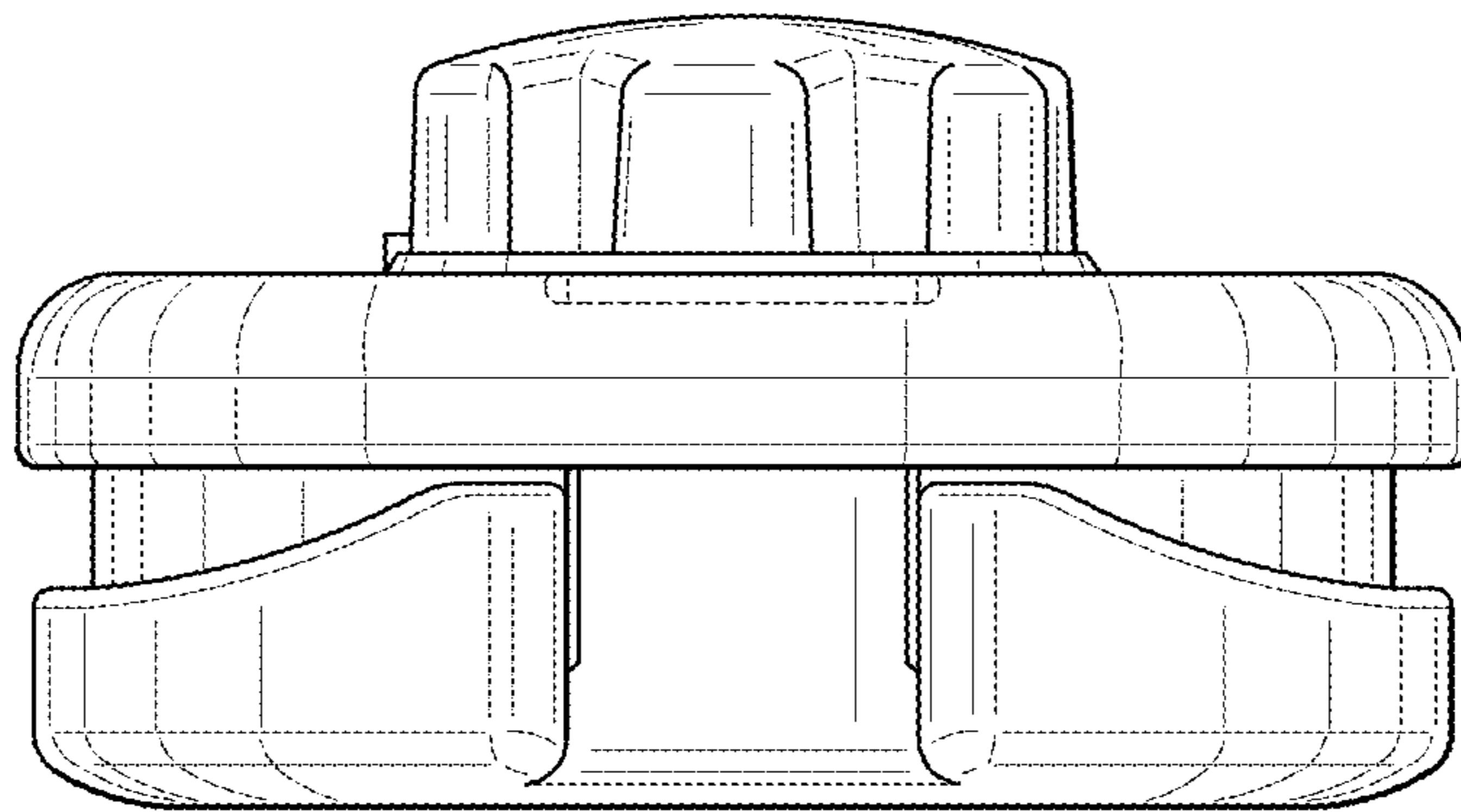


FIG. 7