



US00D823077S

(12) **United States Design Patent** (10) **Patent No.:** **US D823,077 S**
Yablon (45) **Date of Patent:** **** Jul. 17, 2018**

(54) **WINE BOTTLE AND GLASS HOLDER**

(71) Applicant: **Jeffrey Yablon**, New Holland, PA (US)

(72) Inventor: **Jeffrey Yablon**, New Holland, PA (US)

(**) Term: **15 Years**

(21) Appl. No.: **29/609,725**

(22) Filed: **Jul. 5, 2017**

(51) **LOC (11) Cl.** **07-06**

(52) **U.S. Cl.**
USPC **D7/701**

(58) **Field of Classification Search**
USPC D7/600.1-600.4, 619.1, 701-708;
211/74, 71.01, 70.6, 70.7, 85.18-85.23,
211/88.01, 90.1, 126.1; D3/304, 313;
D6/686
CPC A01K 99/00; A47B 13/088; A47B 13/16;
A47B 13/00; A47B 13/003; A47B 37/04;
A47B 3/00; A47B 73/00; A47B 73/12;
A47G 23/0225; A47G 23/02; A47G
23/0216; A47G 23/06; A47G 23/0208;
A47G 23/0233; A47G 9/1045; A47K
1/08; B65D 6/04

See application file for complete search history.

(56) **References Cited**

U.S. PATENT DOCUMENTS

D198,098 S * 4/1964 Kaneko D6/569
D381,515 S * 7/1997 Haynes D24/224

6,244,554 B1 6/2001 Baker
7,984,813 B1 7/2011 Tapager
8,186,538 B2 5/2012 MacCarthy
D699,085 S * 2/2014 Reid, Jr. D7/701
8,672,175 B2 3/2014 Farmer
D717,132 S 11/2014 Van Dyke
D728,941 S * 5/2015 Stoeckmann D3/313
D786,073 S * 5/2017 Hutcheson, Jr. D22/134
2005/0017134 A1 * 1/2005 Hooper A47G 23/0208
248/103
2008/0264822 A1 10/2008 Faiola
2010/0209662 A1 8/2010 Slade
2016/0278556 A1 * 9/2016 Almaguer A47G 9/1045

FOREIGN PATENT DOCUMENTS

WO 2008089211 A2 7/2008

* cited by examiner

Primary Examiner — Freda S Nunn

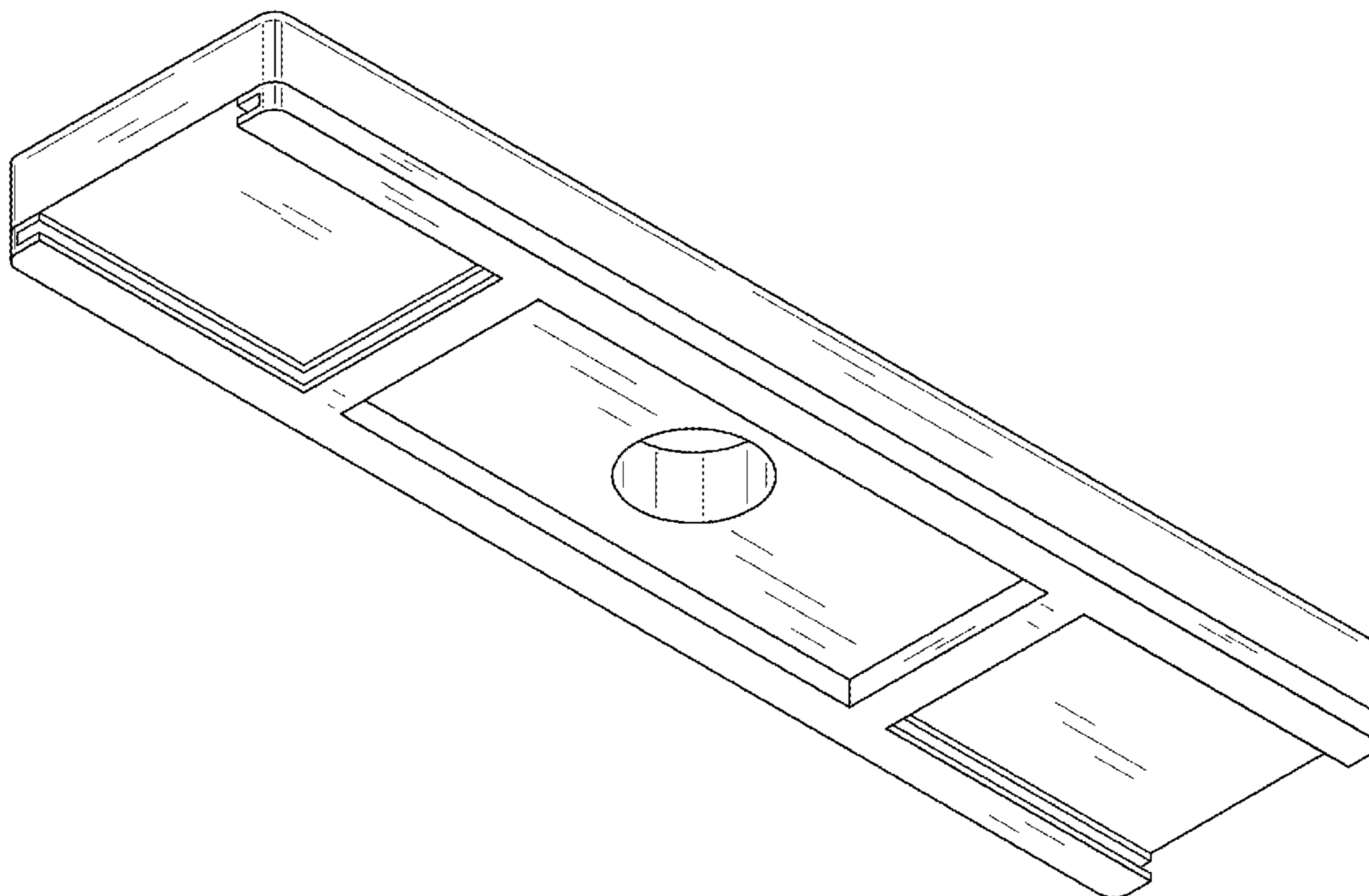
(57) **CLAIM**

I claim the ornamental design for a wine bottle and glass holder, as shown and described.

DESCRIPTION

FIG. 1 is a front view of the wine bottle and glass holder showing my new design the rear view being a mirror image. FIG. 2 is a side view of the claimed design, the opposite side being a mirror image. FIG. 3 is a top view of the claimed design. FIG. 4 is a bottom view of the claimed design; and, FIG. 5 is a perspective view of the claimed design.

1 Claim, 3 Drawing Sheets



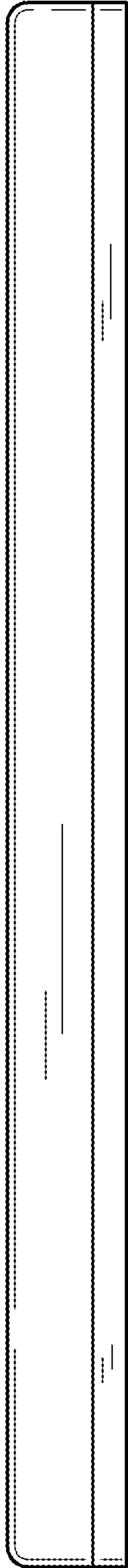


FIG. 1

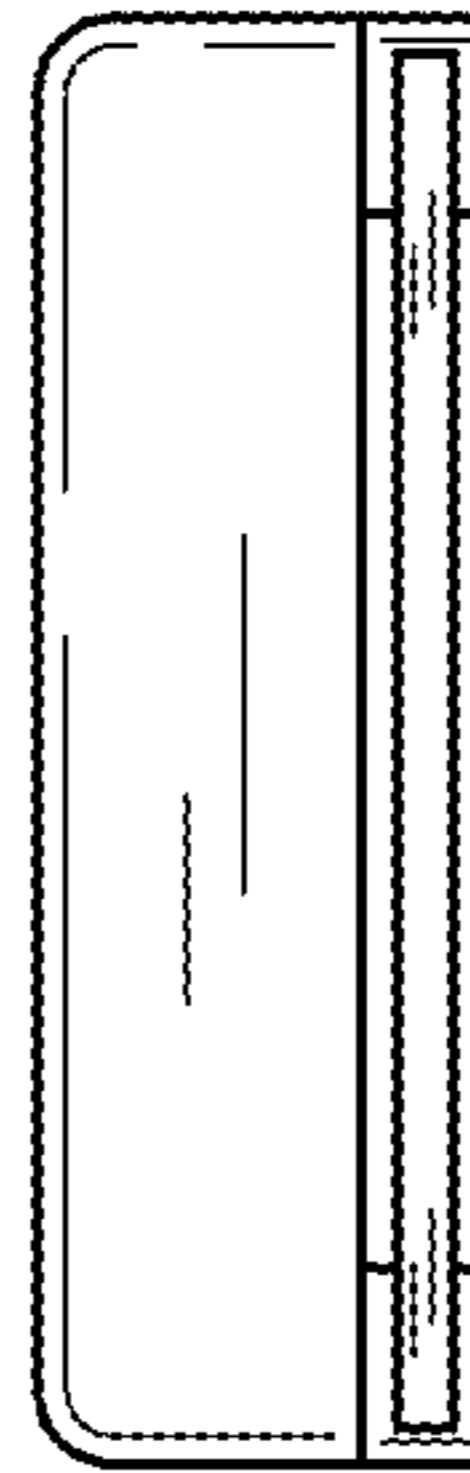


FIG. 2

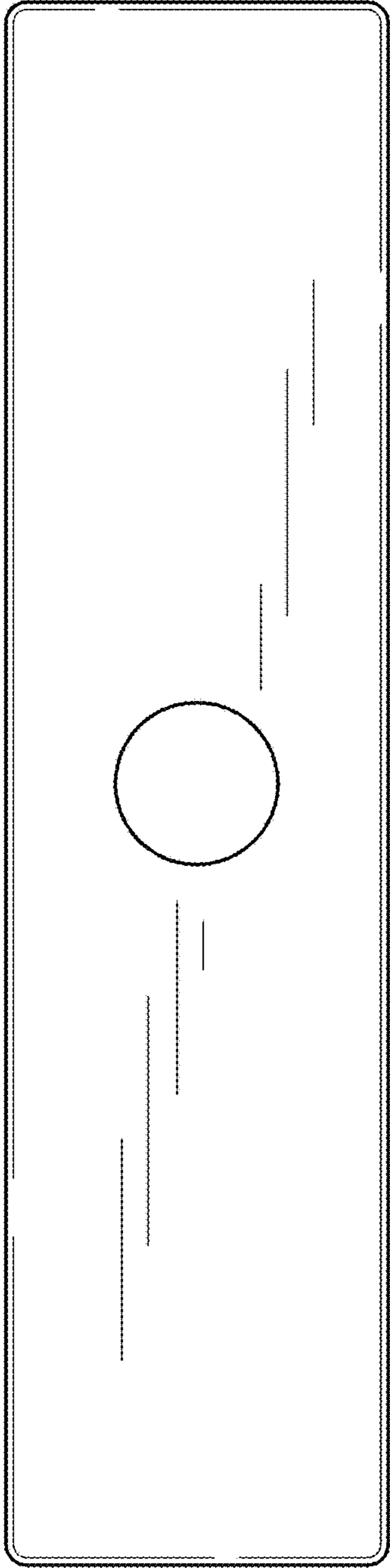


FIG. 3

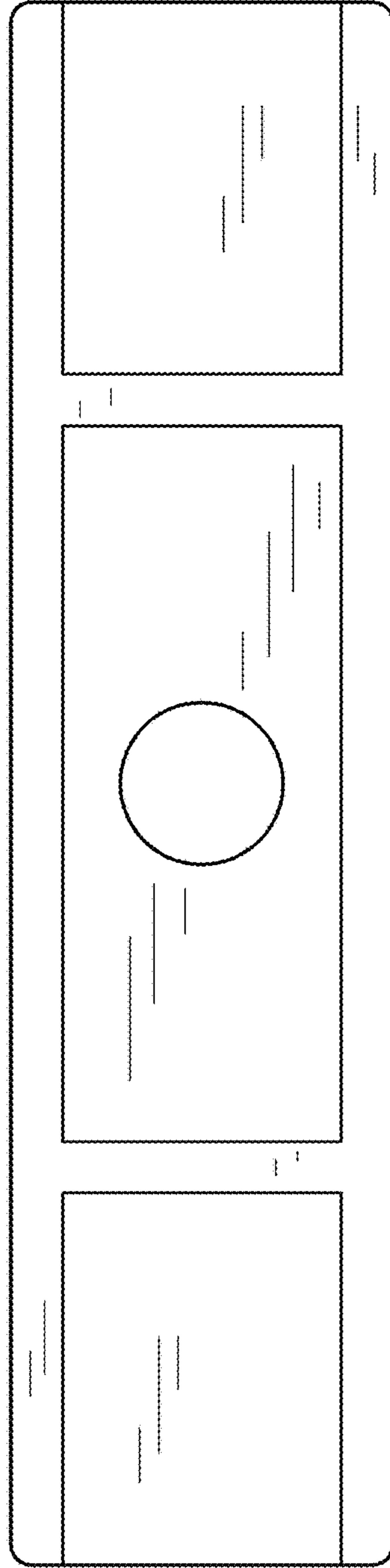


FIG. 4

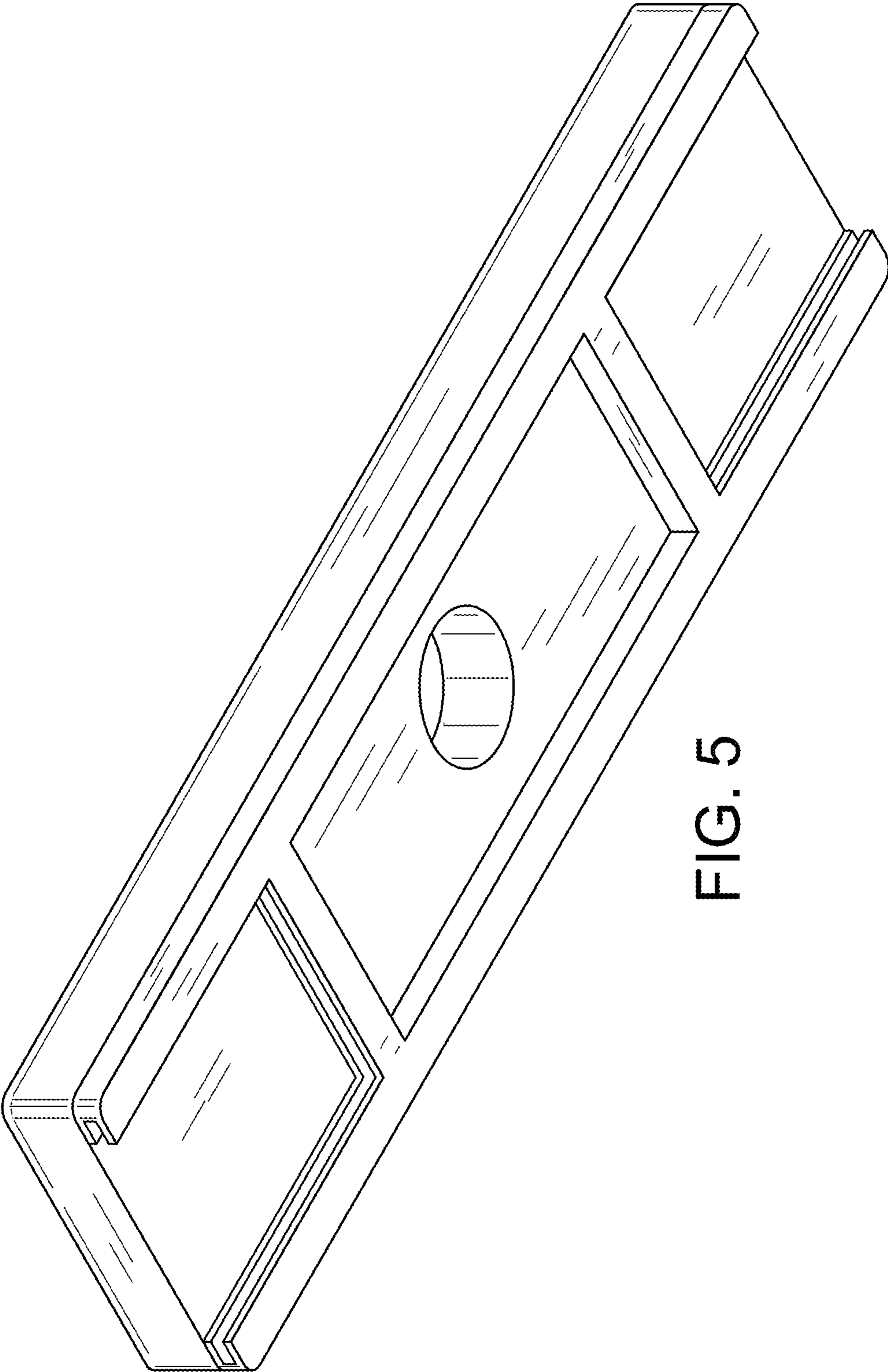


FIG. 5