



US00D823076S

(12) **United States Design Patent**
Riedel et al.

(10) **Patent No.:** **US D823,076 S**
(45) **Date of Patent:** **** Jul. 17, 2018**

- (54) **SCOOP**
- (71) Applicant: **TARGET BRANDS, INC.**,
Minneapolis, MN (US)
- (72) Inventors: **Richard P. Riedel**, Blaine, MN (US);
Timothy Martell, Minneapolis, MN
(US); **Michael M. Habig**, Cincinnati,
OH (US); **Ryan P. McCoy**, Falcon
Heights, MN (US); **Terrence J.**
Hornsby, Jr., Minneapolis, MN (US)
- (73) Assignee: **TARGET BRANDS, INC.**,
Minneapolis, MN (US)
- (**) Term: **15 Years**
- (21) Appl. No.: **29/591,012**
- (22) Filed: **Jan. 16, 2017**
- (51) **LOC (11) Cl.** **07-02**
- (52) **U.S. Cl.**
USPC **D7/691**
- (58) **Field of Classification Search**
USPC D7/688-692, 368, 669, 393, 395;
D10/46.2, 46.3
CPC G01F 19/002; G01F 19/00; A61J 7/0046;
A61J 7/0023; A47F 13/08; A47G 21/04;
A47G 21/02
See application file for complete search history.

- D330,997 S * 11/1992 Spahni, Jr. D7/691
 - D338,599 S 8/1993 Zogg et al.
 - 5,347,865 A 9/1994 Mulry et al.
 - D352,869 S 11/1994 Lathrop
 - 5,706,974 A 1/1998 Murdick et al.
- (Continued)

FOREIGN PATENT DOCUMENTS

- EP 2315705 B1 5/2011
- WO 2015106087 A1 7/2015

Primary Examiner — Terry A Wallace

(74) *Attorney, Agent, or Firm* — JoAnn M. Seaton;
Griffiths & Seaton PLLC

(57) **CLAIM**

The ornamental design for a scoop, as shown and described.

DESCRIPTION

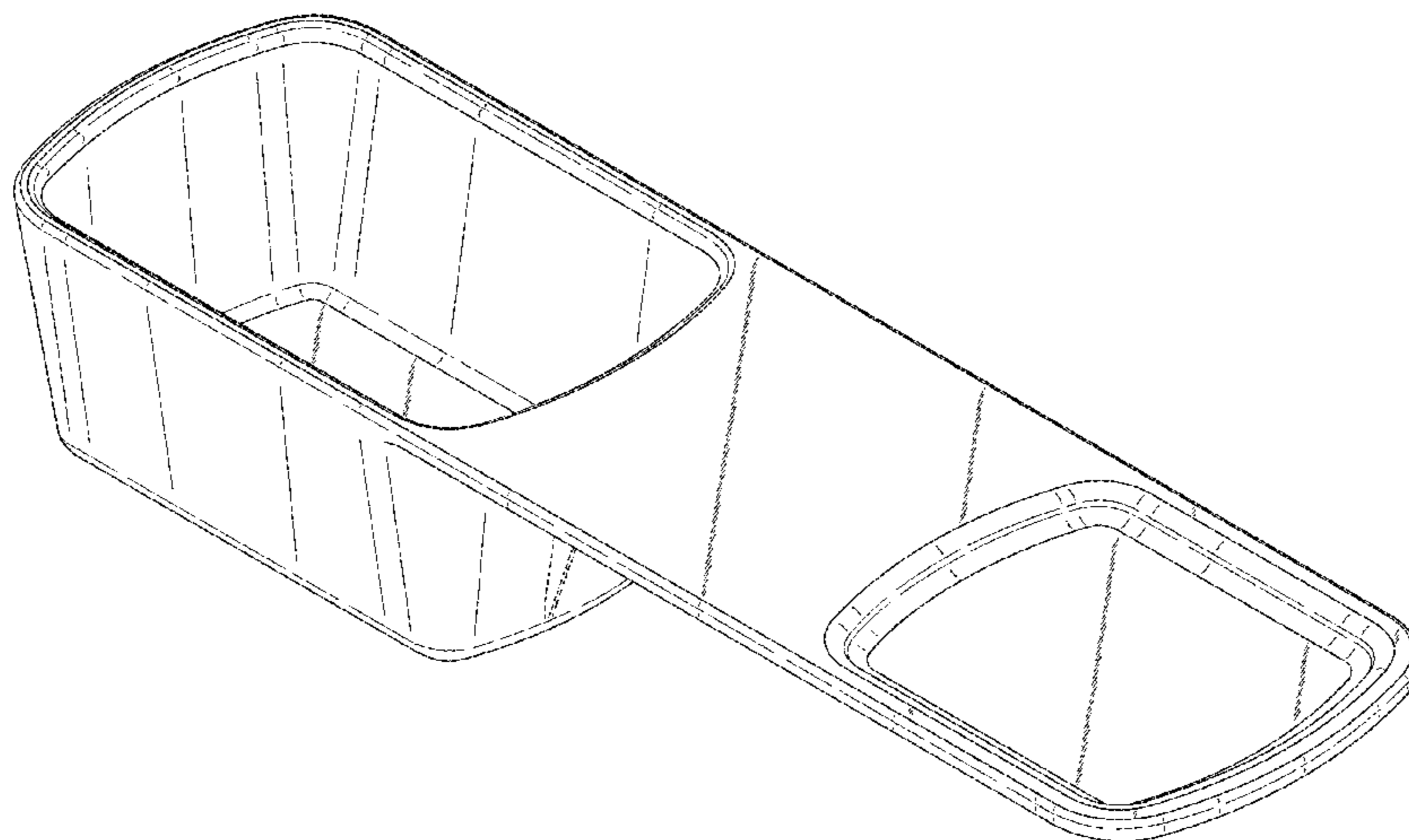
FIG. 1 is a top perspective view of a scoop showing one embodiment of our new design;
 FIG. 2 is a bottom perspective view thereof;
 FIG. 3 is a front view thereof, the rear view being a mirror image of the front view;
 FIG. 4 is a right side view thereof;
 FIG. 5 is a left side view thereof;
 FIG. 6 is a top view thereof; and
 FIG. 7 is a bottom view thereof.
 FIG. 8 is a top perspective view of a scoop showing a second embodiment of FIG. 1.
 FIG. 9 is a bottom perspective view of FIG. 8.
 FIG. 10 is a front view of FIG. 8, the rear view being a mirror image of the front view.
 FIG. 11 is a right side view of FIG. 8.
 FIG. 12 is a left side view of FIG. 8.
 FIG. 13 is a top plan view of FIG. 8; and,
 FIG. 14 is a bottom plan view of FIG. 8.
 In the drawings, the broken lines depict unclaimed subject matter only and form no part of the claimed design.

1 Claim, 12 Drawing Sheets

(56) **References Cited**

U.S. PATENT DOCUMENTS

- 1,768,771 A 7/1930 Tourrette
- D182,456 S * 4/1958 Cronheim D10/46.2
- 3,001,404 A 9/1961 McDonnell, Jr. et al.
- D239,907 S 5/1976 Olsson
- D294,214 S 2/1988 Smith
- D297,202 S * 8/1988 Zumwalt D7/667
- D302,920 S * 8/1989 Ancona D10/46.2
- D321,305 S * 11/1991 Underwood D10/46.2
- D330,675 S 11/1992 Braendli



(56)

References Cited

U.S. PATENT DOCUMENTS

5,775,531	A	7/1998	Lowry	
D620,769	S	* 8/2010	Mangin	D7/691
8,651,311	B1	2/2014	Drummond et al.	
8,833,584	B2	9/2014	Groubert	
D734,149	S	7/2015	McGrath, Jr. et al.	
9,090,391	B2	7/2015	Horton et al.	
D738,228	S	9/2015	Joshi	
9,365,332	B2	6/2016	Jentis et al.	
2010/0308065	A1	12/2010	Vandamme et al.	
2013/0001227	A1	1/2013	Groubert	
2014/0151389	A1	6/2014	Melia	

* cited by examiner

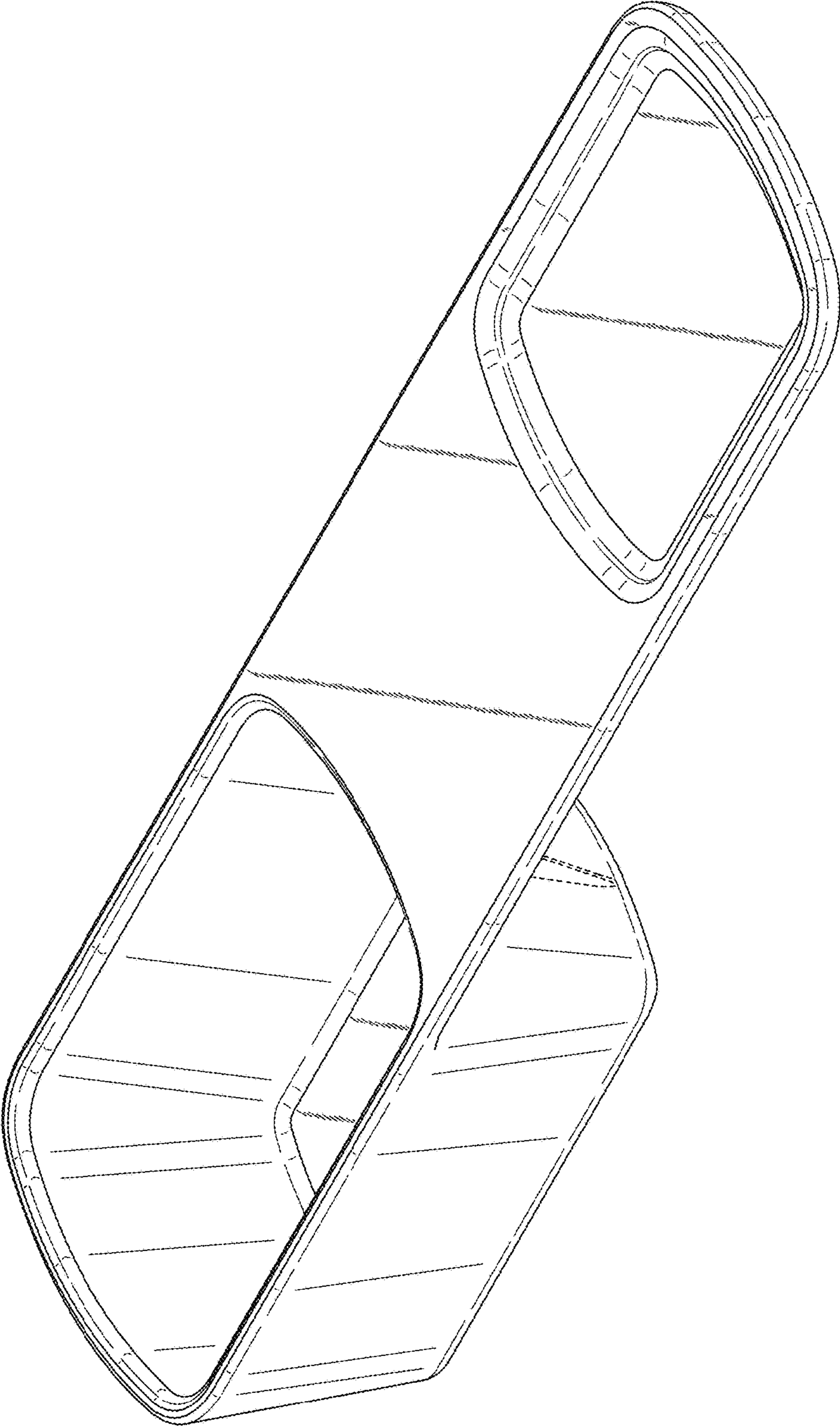


FIG. 1

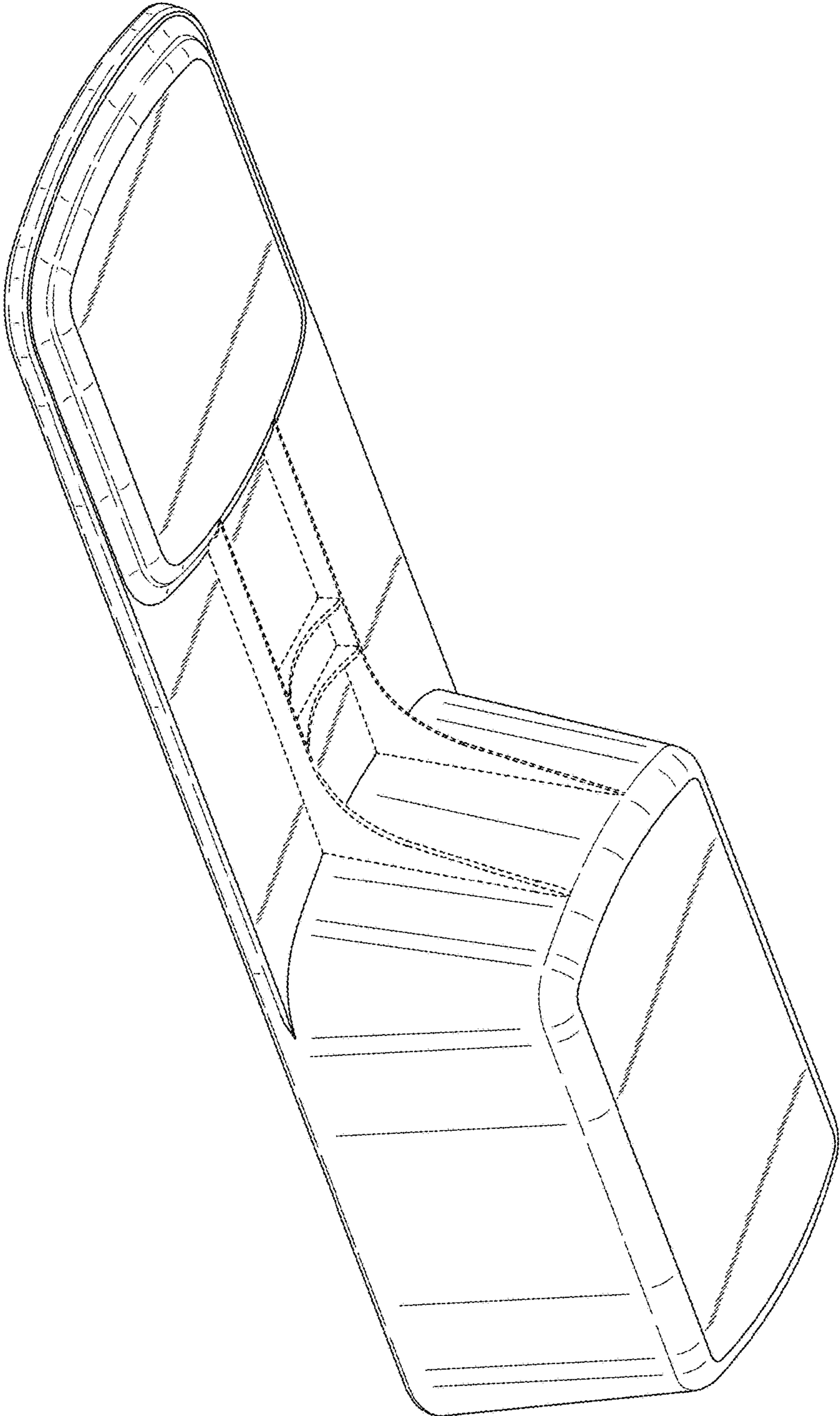


FIG. 2

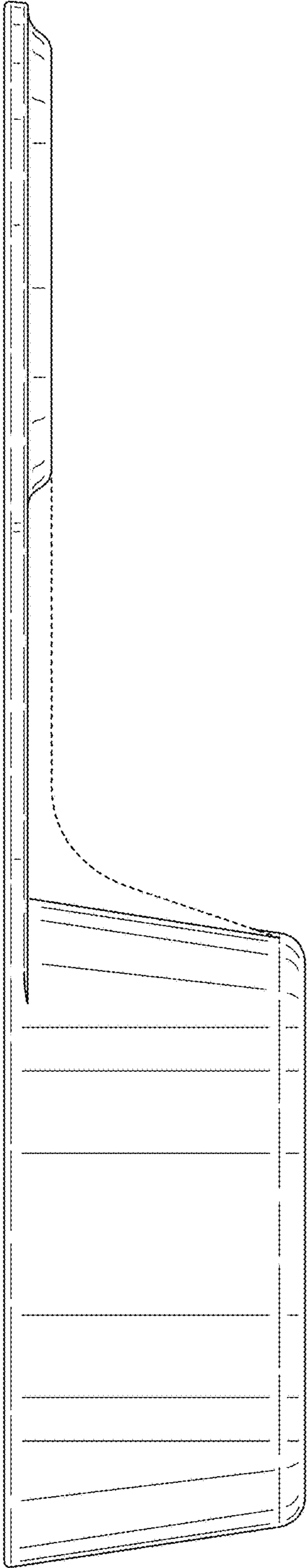


FIG. 3

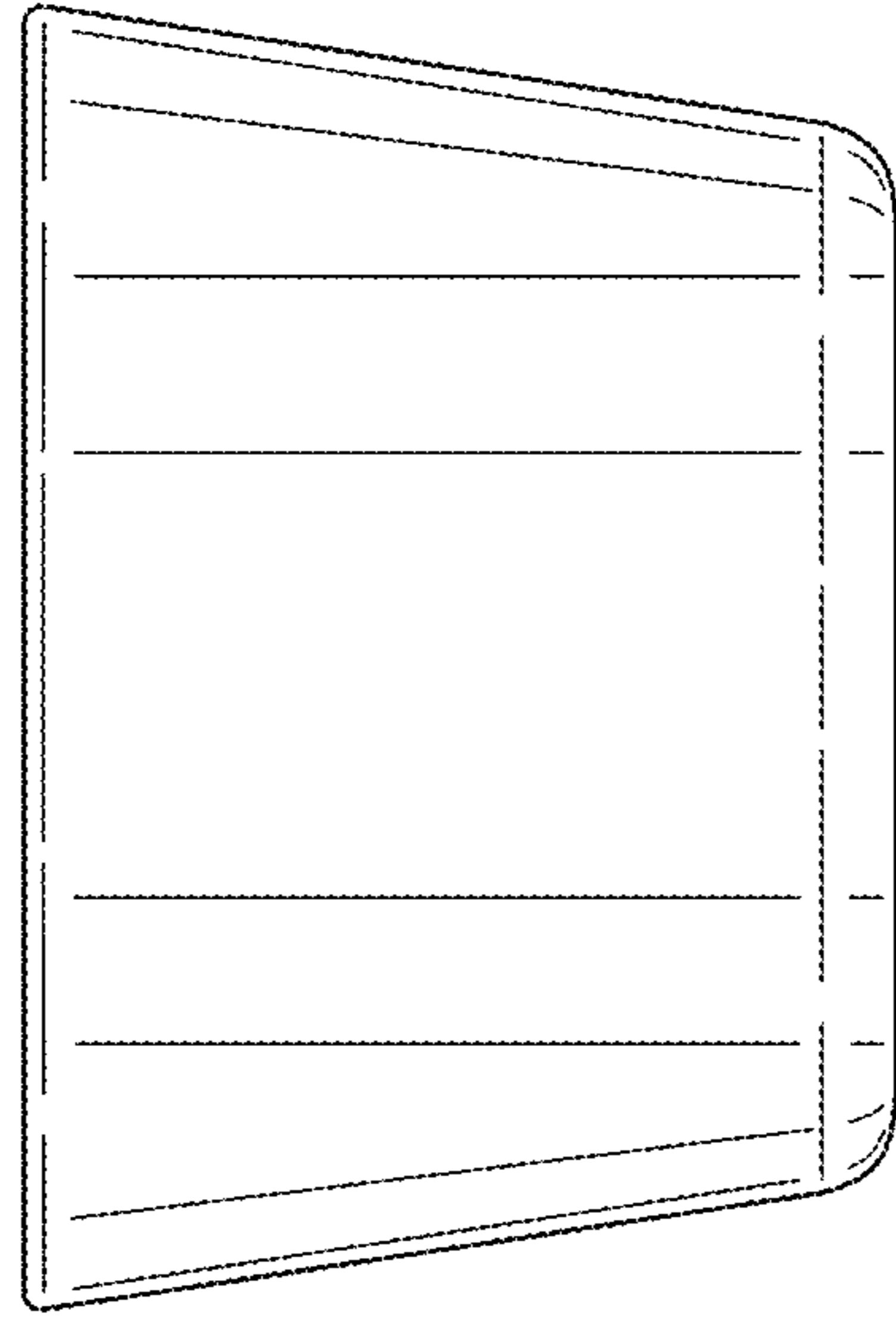


FIG. 5

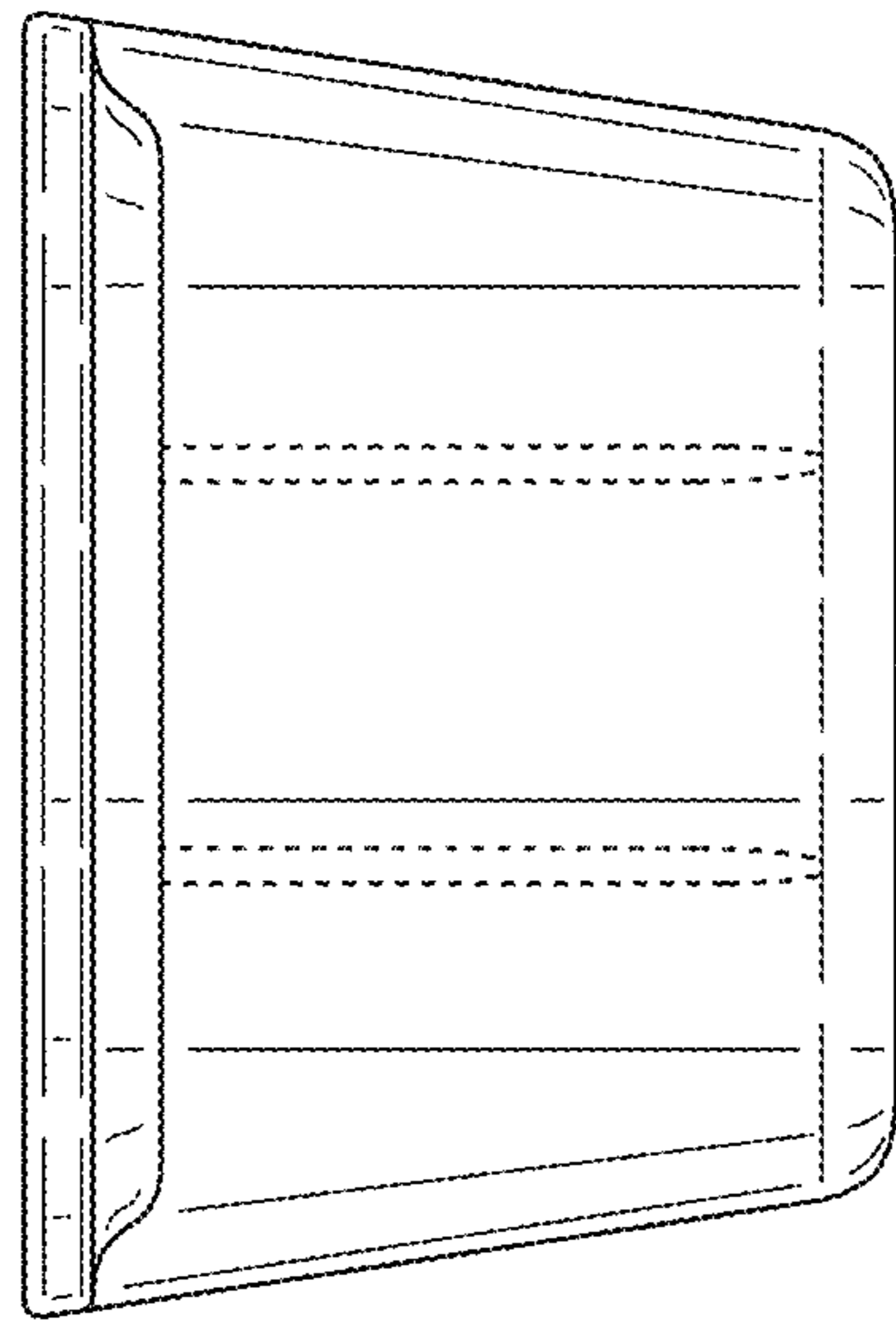


FIG. 4

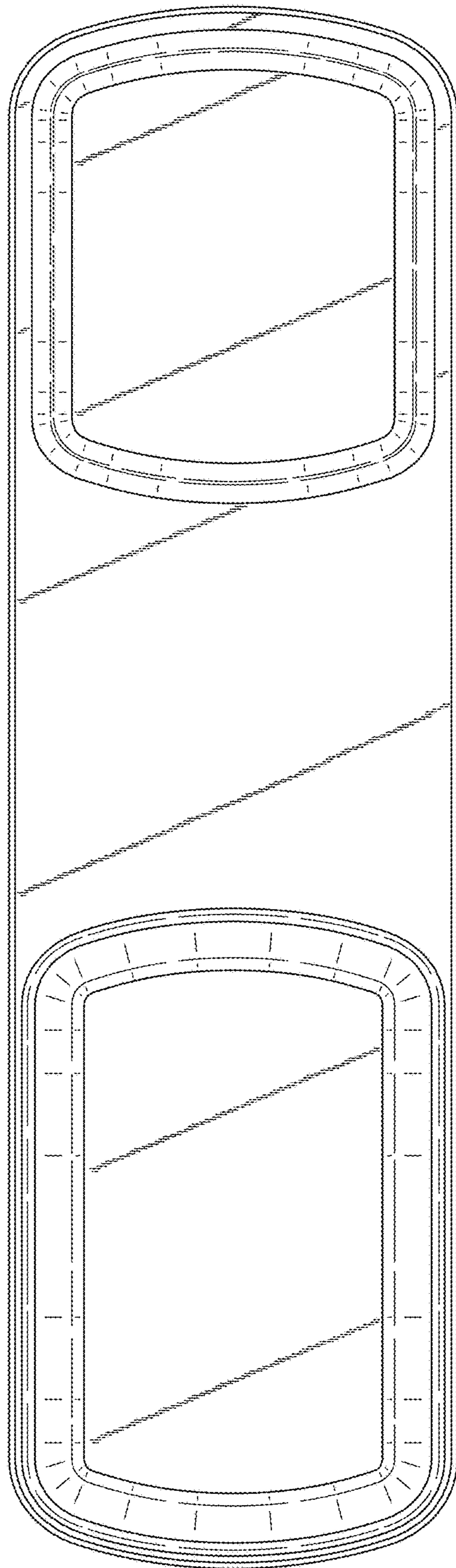


FIG. 6

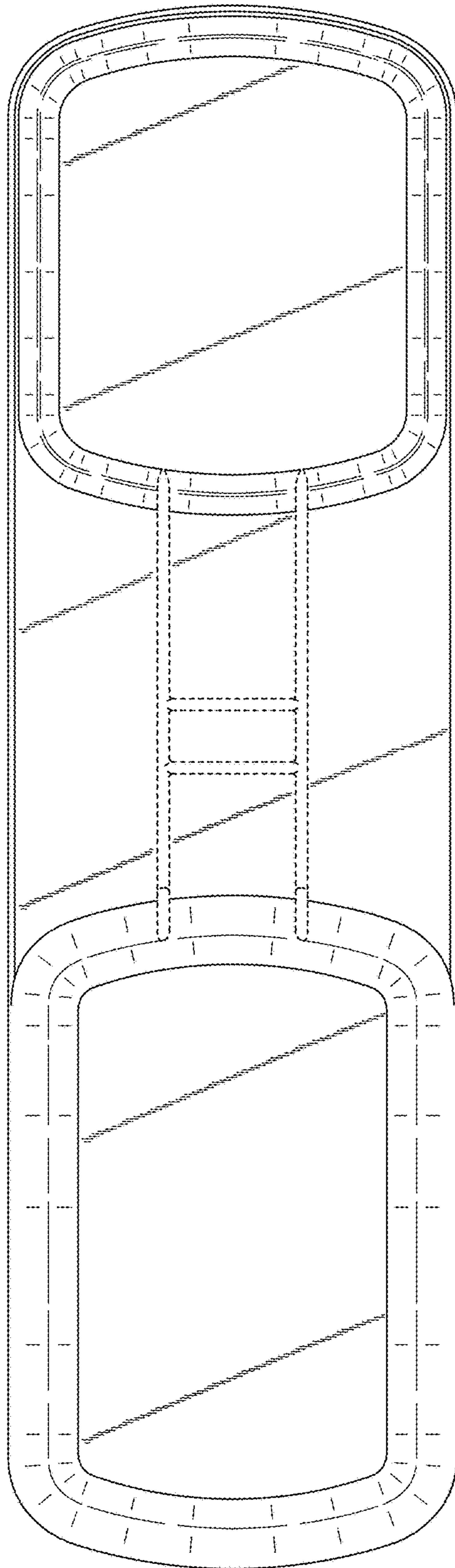


FIG. 7

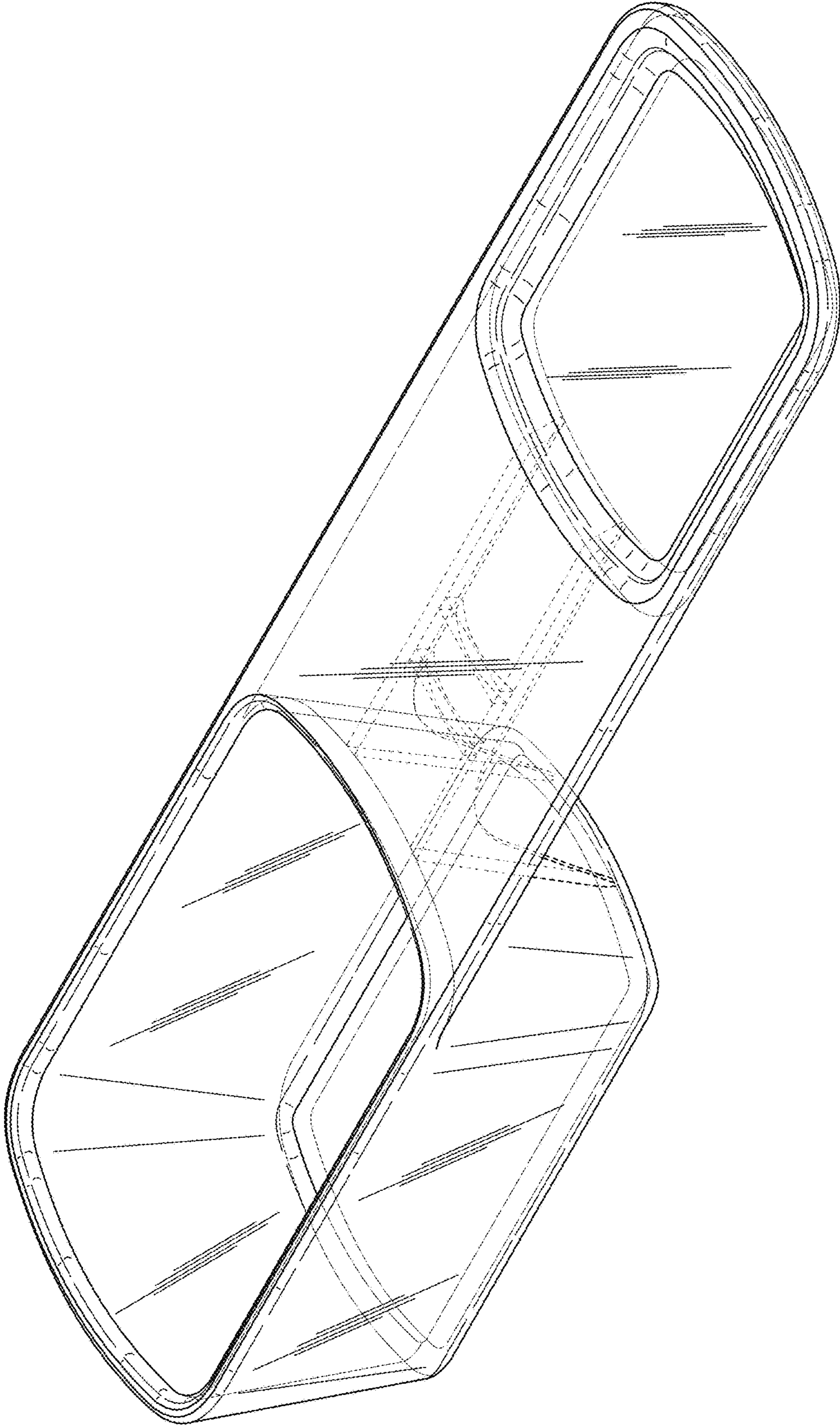


FIG. 8

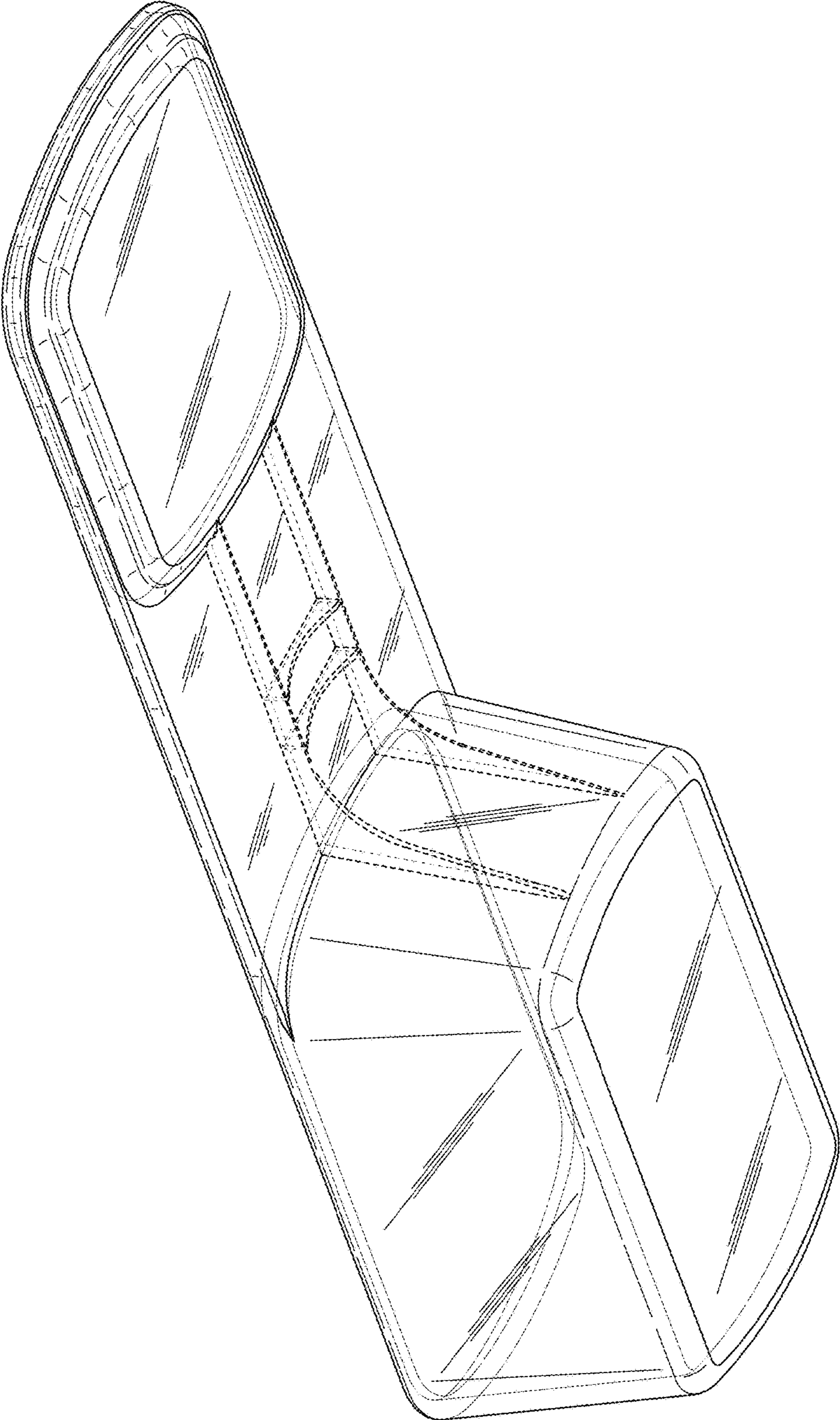


FIG. 9

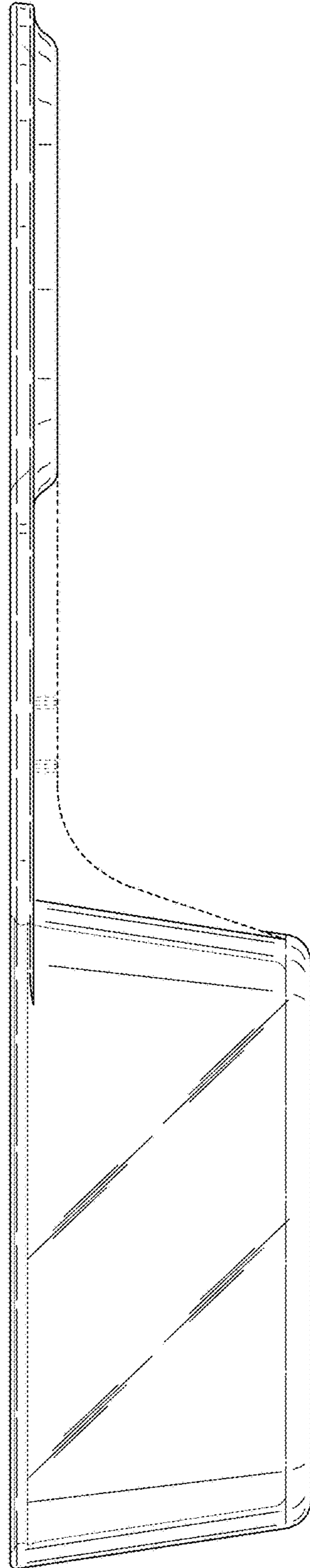


FIG. 10

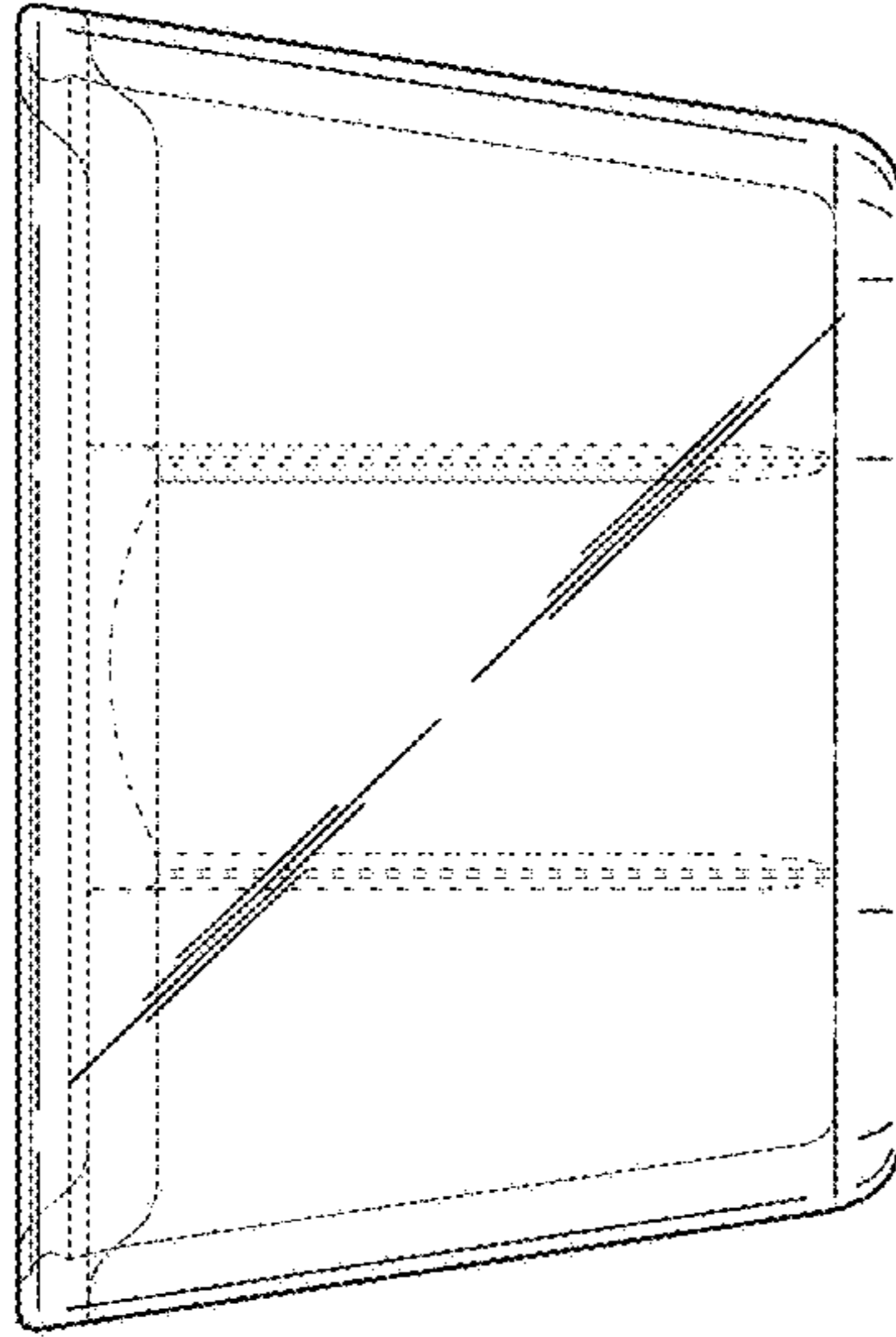


FIG. 11

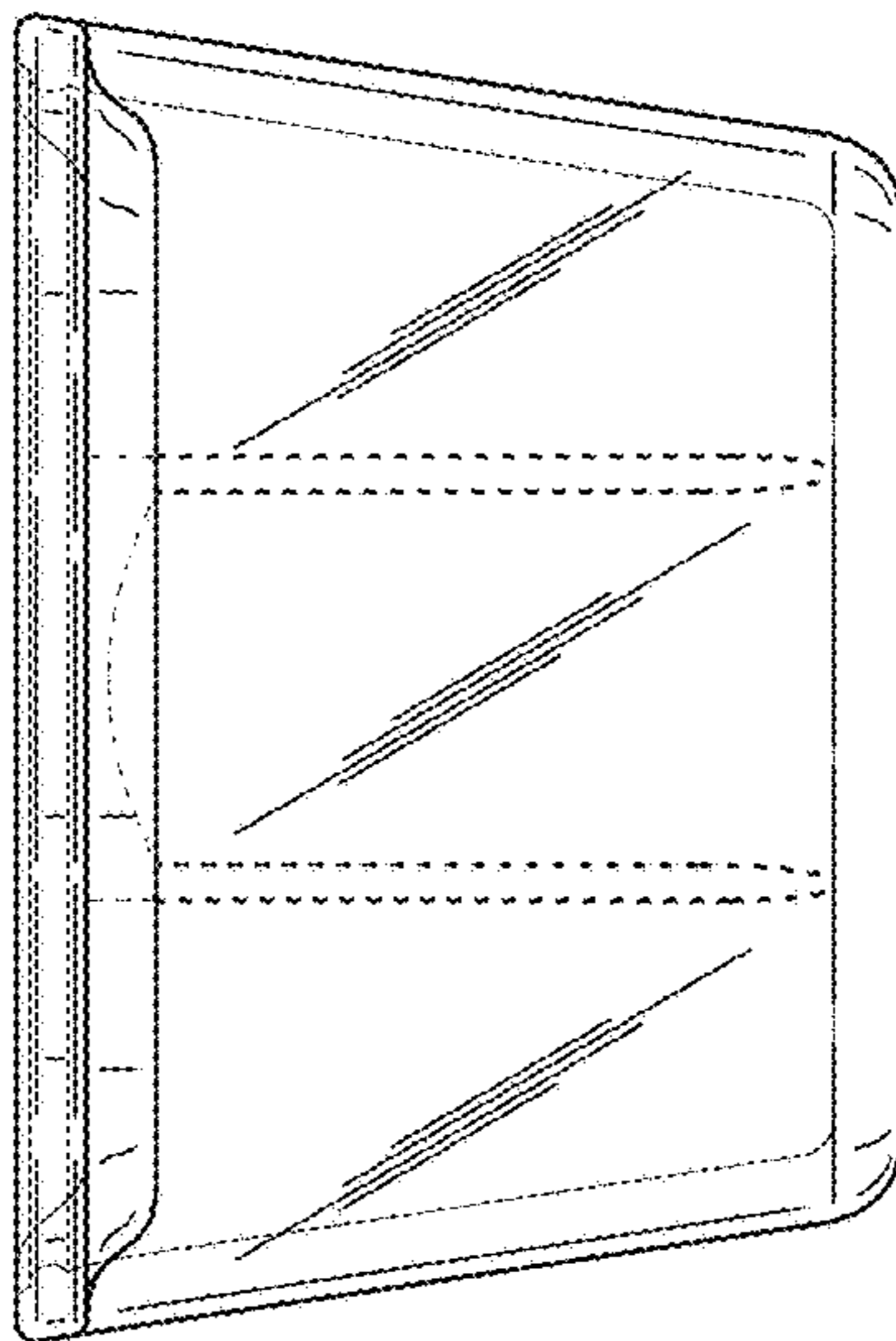


FIG. 12

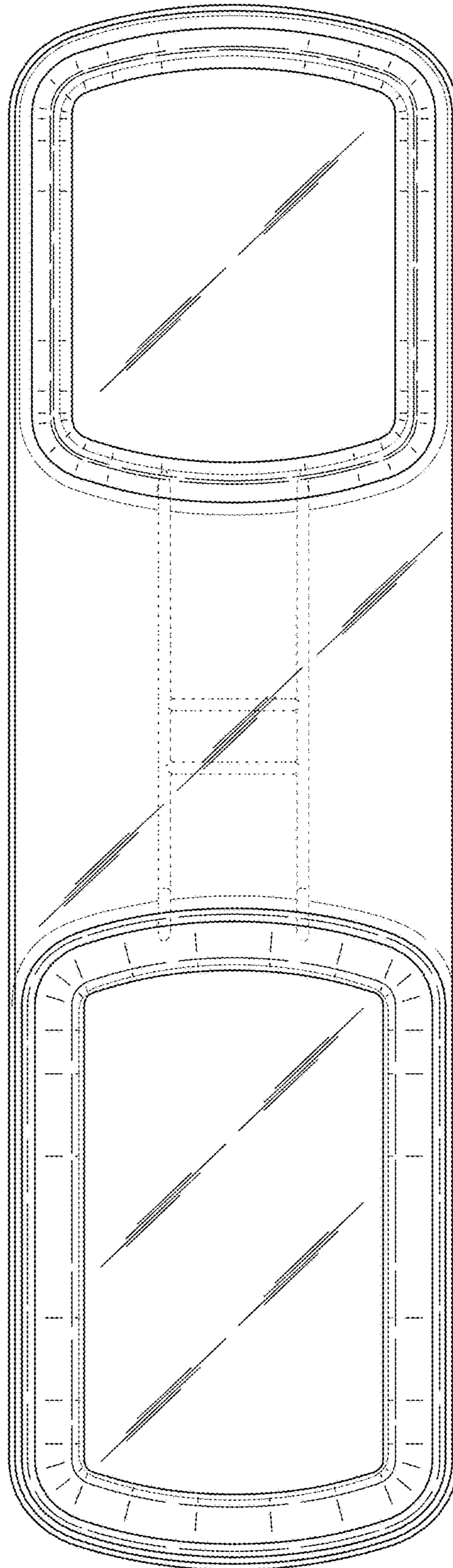


FIG. 13

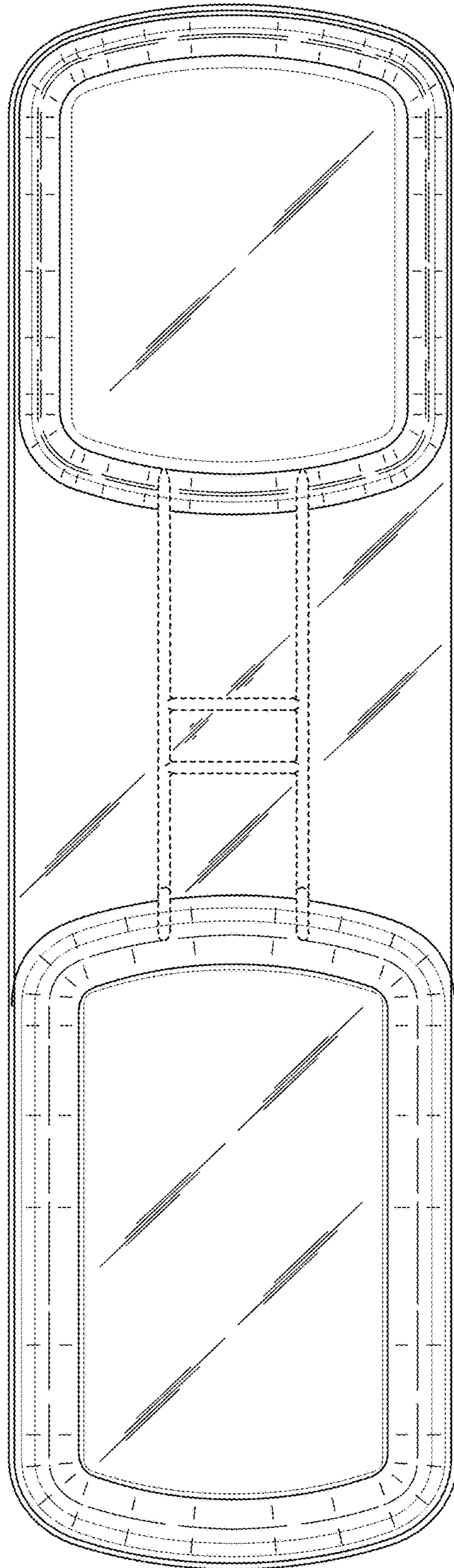


FIG. 14