



US00D823075S

(12) **United States Design Patent** (10) **Patent No.:** **US D823,075 S**  
**Repac** (45) **Date of Patent:** **\*\* Jul. 17, 2018**

(54) **HAND-OPERATED DEVICE FOR CHOPPING AND SLICING FOOD**

(71) Applicant: **Genius GmbH**, Limburg (DE)

(72) Inventor: **Cedomir Repac**, Brechen (DE)

(73) Assignee: **GENIUS GMBH**, Limburg (DE)

(\*\*) Term: **15 Years**

(21) Appl. No.: **29/606,247**

(22) Filed: **Jun. 2, 2017**

**Related U.S. Application Data**

(62) Division of application No. 29/526,287, filed on May 7, 2015, now Pat. No. Des. 790,931.

(30) **Foreign Application Priority Data**

Nov. 7, 2014 (EM) ..... 002573956-0001  
Nov. 7, 2014 (EM) ..... 002573956-0006  
Nov. 7, 2014 (EM) ..... 002573956-0016

(51) **LOC (11) Cl.** ..... **07-04**

(52) **U.S. Cl.**  
USPC ..... **D7/672; D7/678**

(58) **Field of Classification Search**  
USPC ..... D7/672-677, 354, 693-696, 678  
CPC ..... A47J 43/00; A47J 43/25; B26D 2210/02;  
B26D 1/143; B26D 3/283; B26D 3/26;  
B26D 3/185; B26D 2003/288; B26D  
2003/286

See application file for complete search history.

(56) **References Cited**

**U.S. PATENT DOCUMENTS**

4,212,431 A 7/1980 Doyel  
4,928,893 A 5/1990 Prindle

D330,316 S 10/1992 So  
D447,019 S 8/2001 Wong  
D447,391 S 9/2001 Bodum  
D499,615 S 12/2004 Nordgren  
D512,609 S 12/2005 Kaposi  
D545,642 S \* 7/2007 Wong ..... D7/674  
D548,547 S \* 8/2007 Kaposi ..... D7/672  
D618,517 S \* 6/2010 Wong ..... D7/672  
D632,139 S 2/2011 Repac  
D708,917 S \* 7/2014 Wong ..... D7/672  
D715,603 S 10/2014 McGuyer  
D730,704 S 6/2015 Repac  
D776,987 S \* 1/2017 Repac ..... D7/672  
D776,988 S \* 1/2017 Repac ..... D7/672  
D777,537 S \* 1/2017 Repac ..... D7/672  
9,597,815 B2 \* 3/2017 Repac ..... B26D 3/283  
D790,931 S \* 7/2017 Repac ..... D7/678  
2008/0029631 A1 2/2008 Boerner  
2009/0277343 A1 \* 11/2009 Ghimire ..... B26D 3/26  
99/537

(Continued)

*Primary Examiner* — Susan B Hattan

*Assistant Examiner* — Brett A Miller

(74) *Attorney, Agent, or Firm* — Hodgson Russ LLP

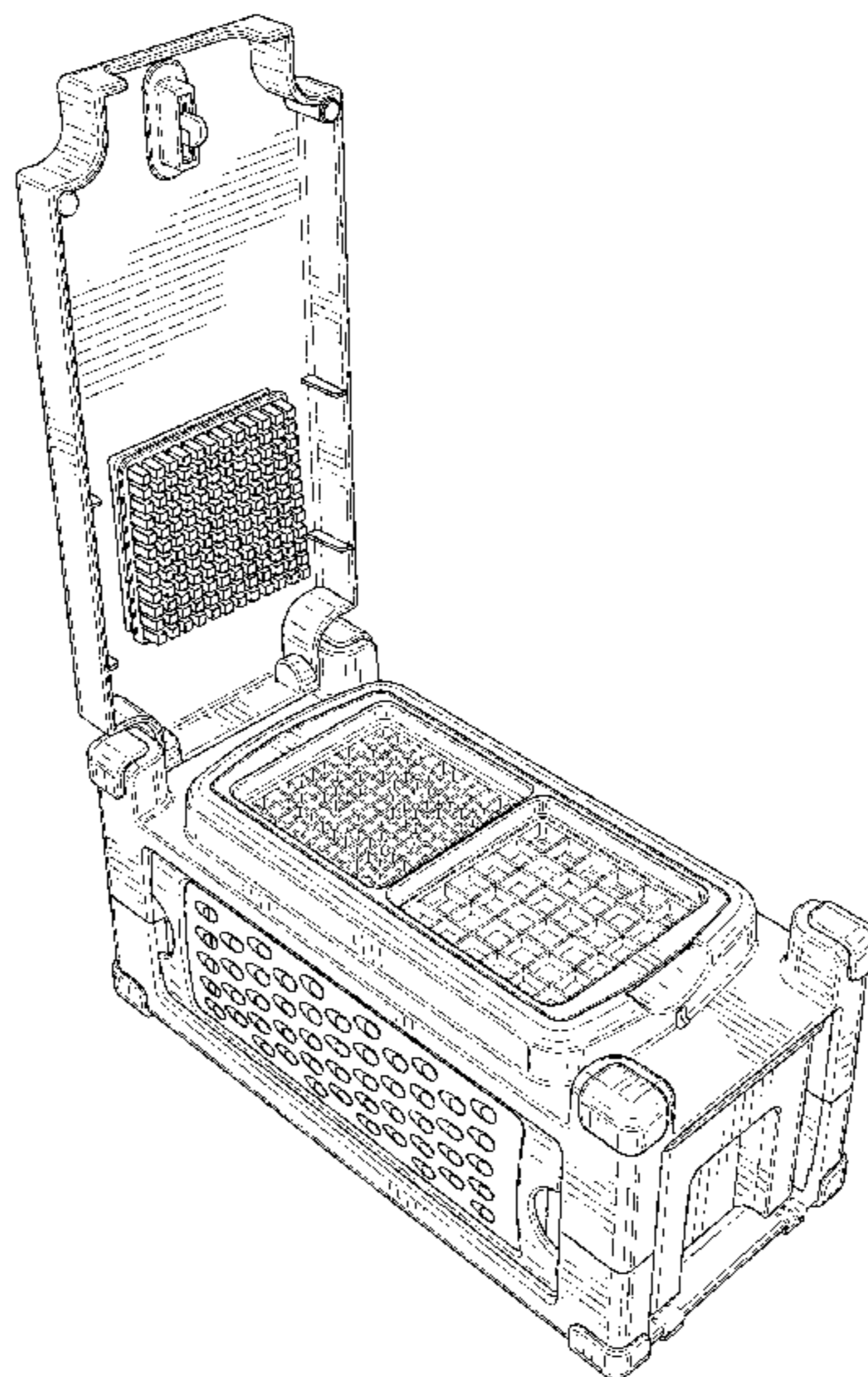
(57) **CLAIM**

The ornamental design for a hand-operated device for chopping and slicing food, as shown and described.

**DESCRIPTION**

FIG. 1 is a perspective view of a hand-operated device for chopping and slicing food;  
FIG. 2 is a top plan view thereof;  
FIG. 3 is a bottom plan view thereof;  
FIG. 4 is a rear elevation view thereof;  
FIG. 5 is a front elevation view thereof;  
FIG. 6 is a left side elevation view thereof; and,  
FIG. 7 is a right side elevation view thereof.  
The broken lines depict portions of the device that form no part of the claim.

**1 Claim, 7 Drawing Sheets**



(56)

**References Cited**

U.S. PATENT DOCUMENTS

2015/0337889 A1 \* 11/2015 Repac ..... B26D 3/26  
241/84.3  
2015/0367525 A1 12/2015 Repac  
2016/0158956 A1 6/2016 Repac

\* cited by examiner



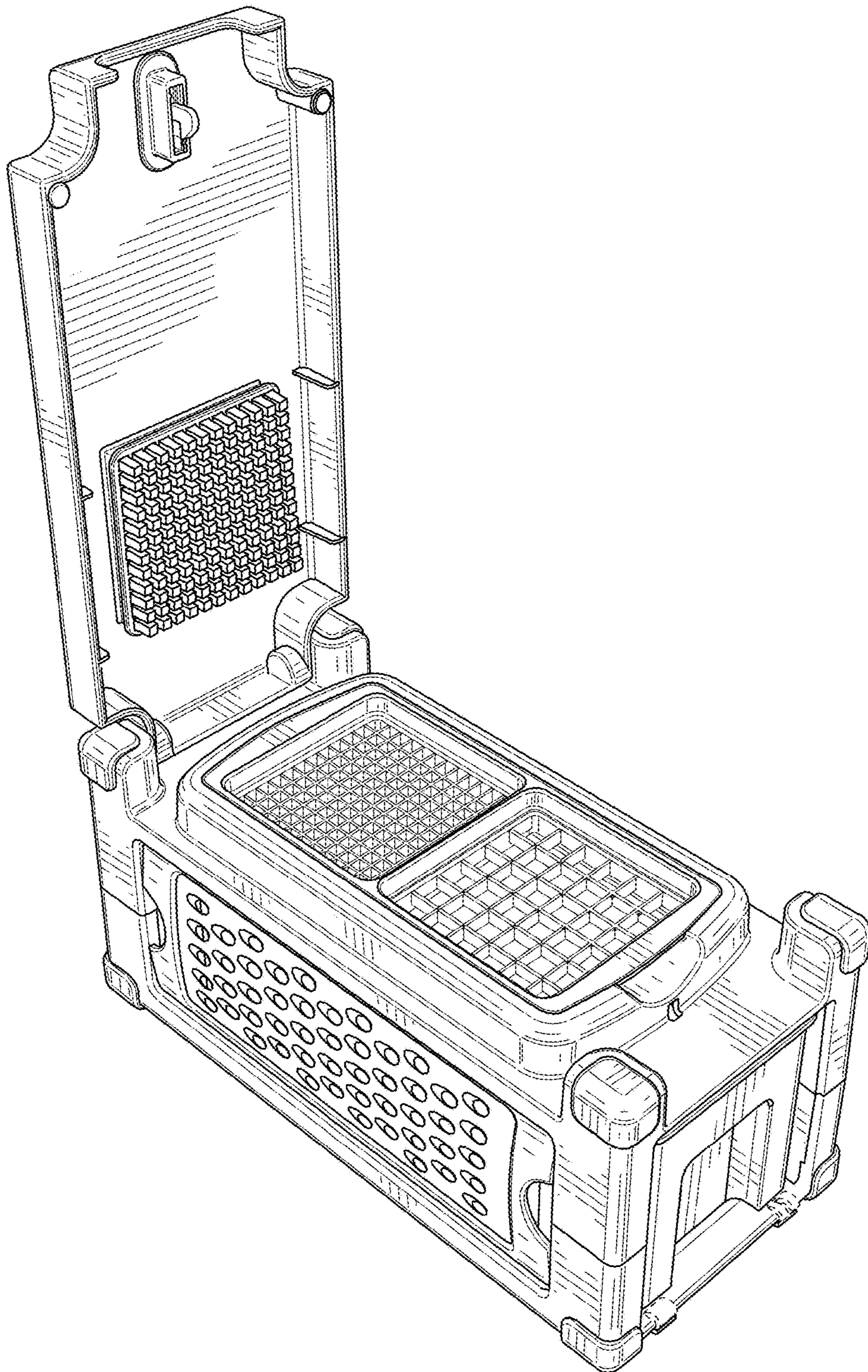


FIG. 1

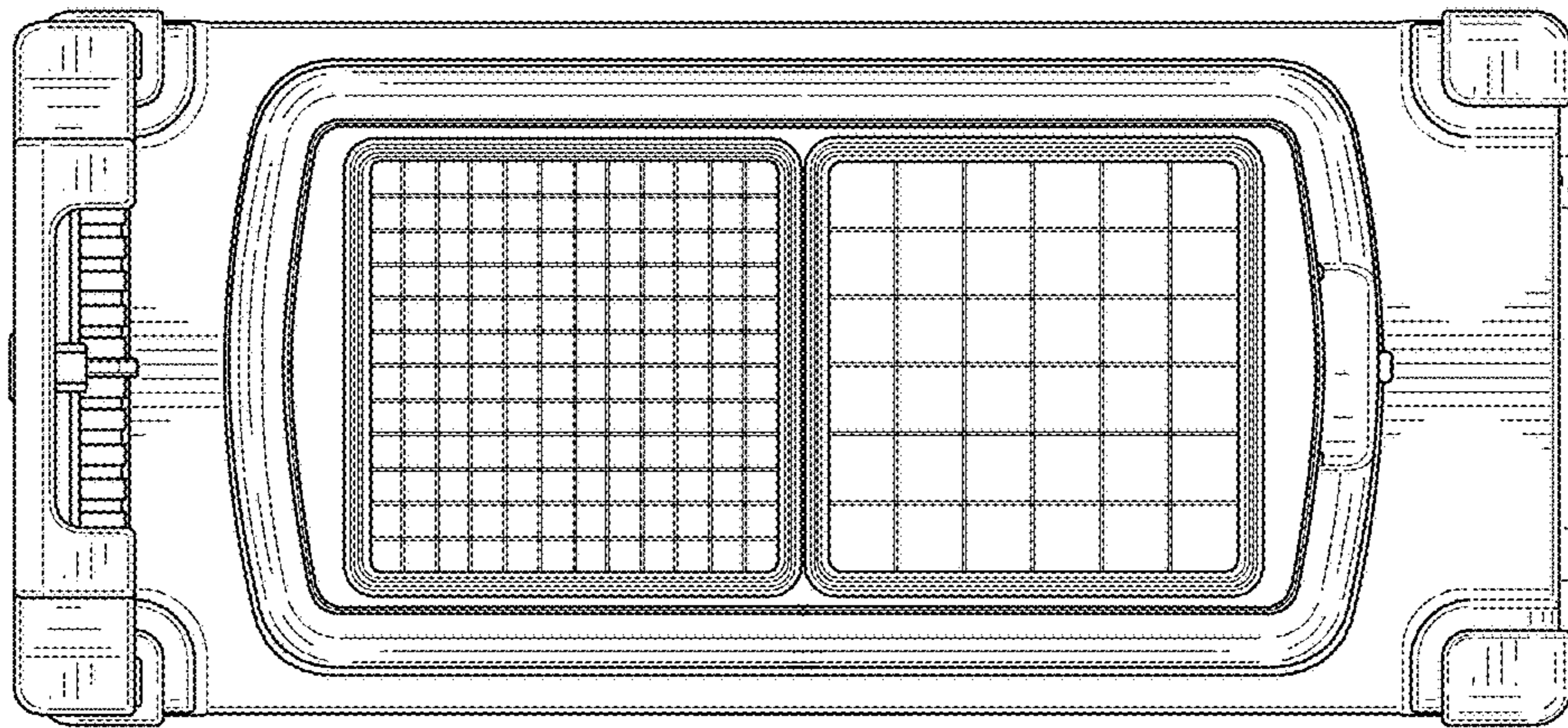


FIG. 2

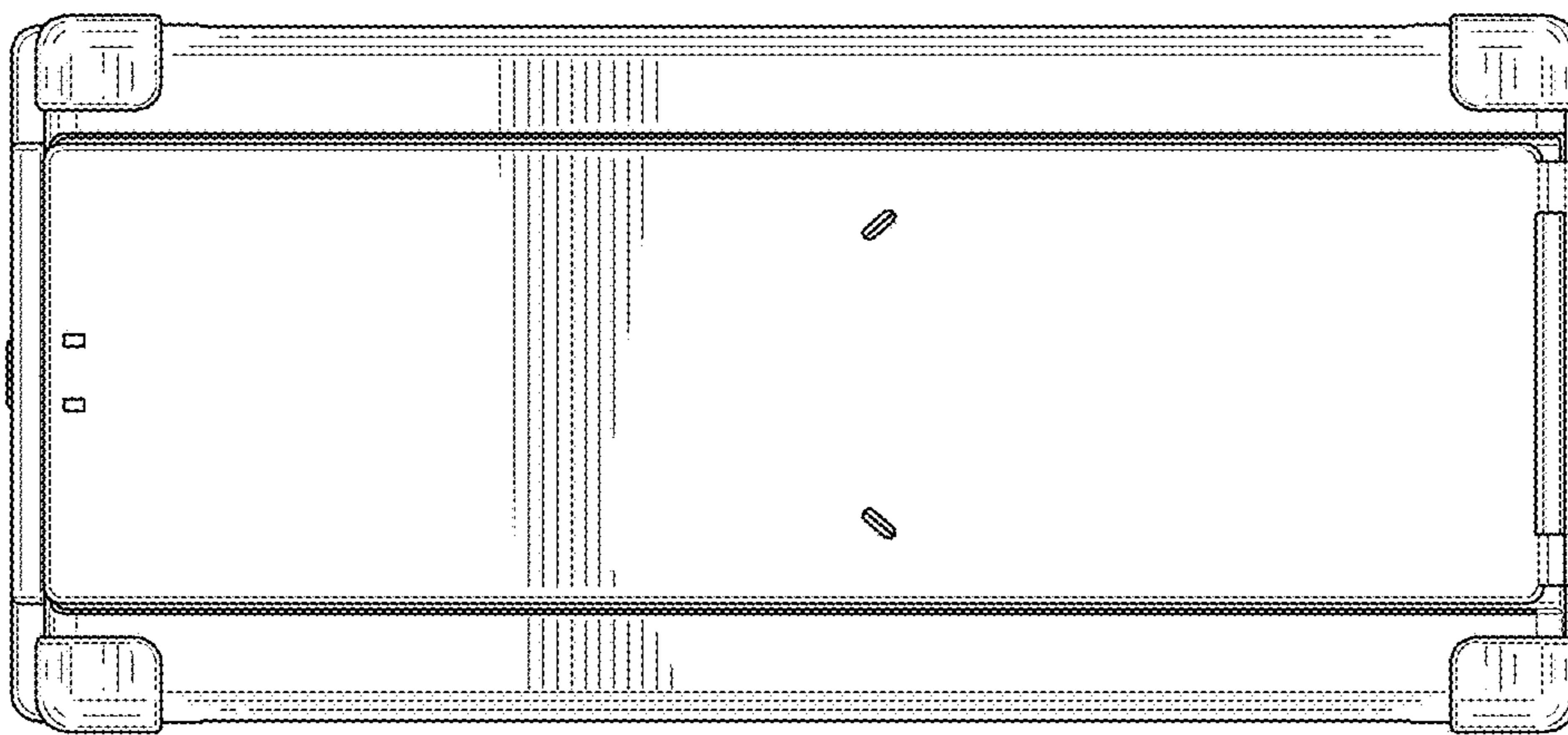


FIG. 3



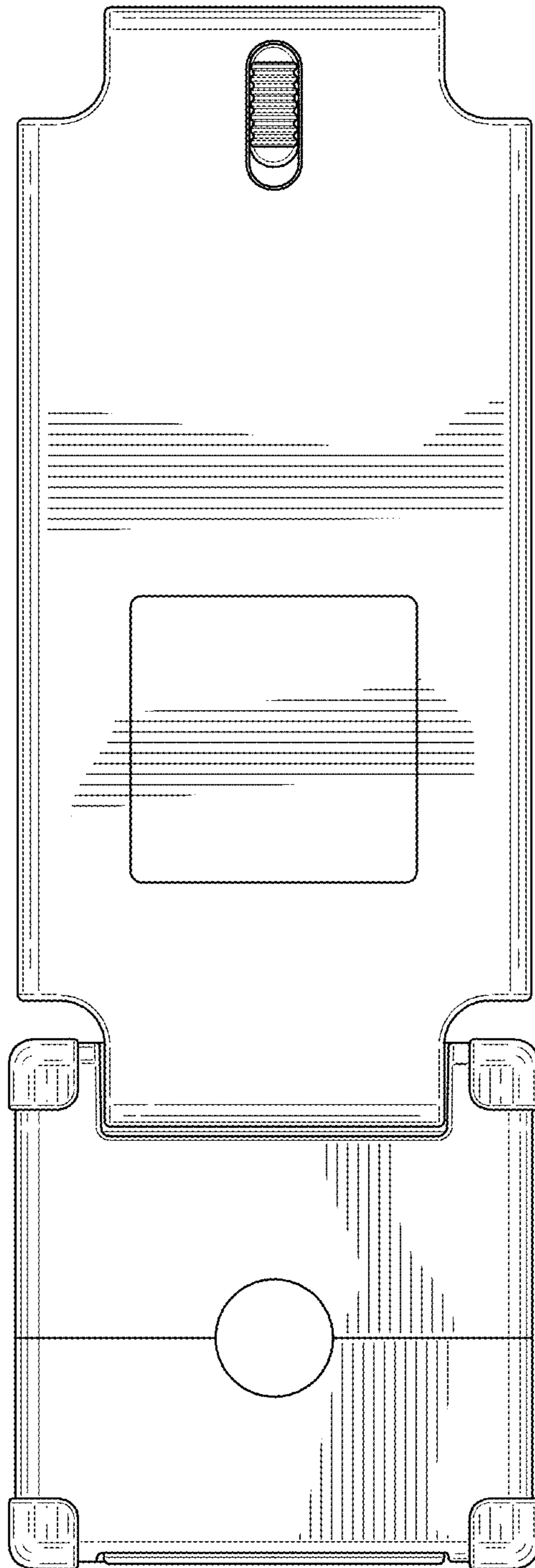


FIG. 4

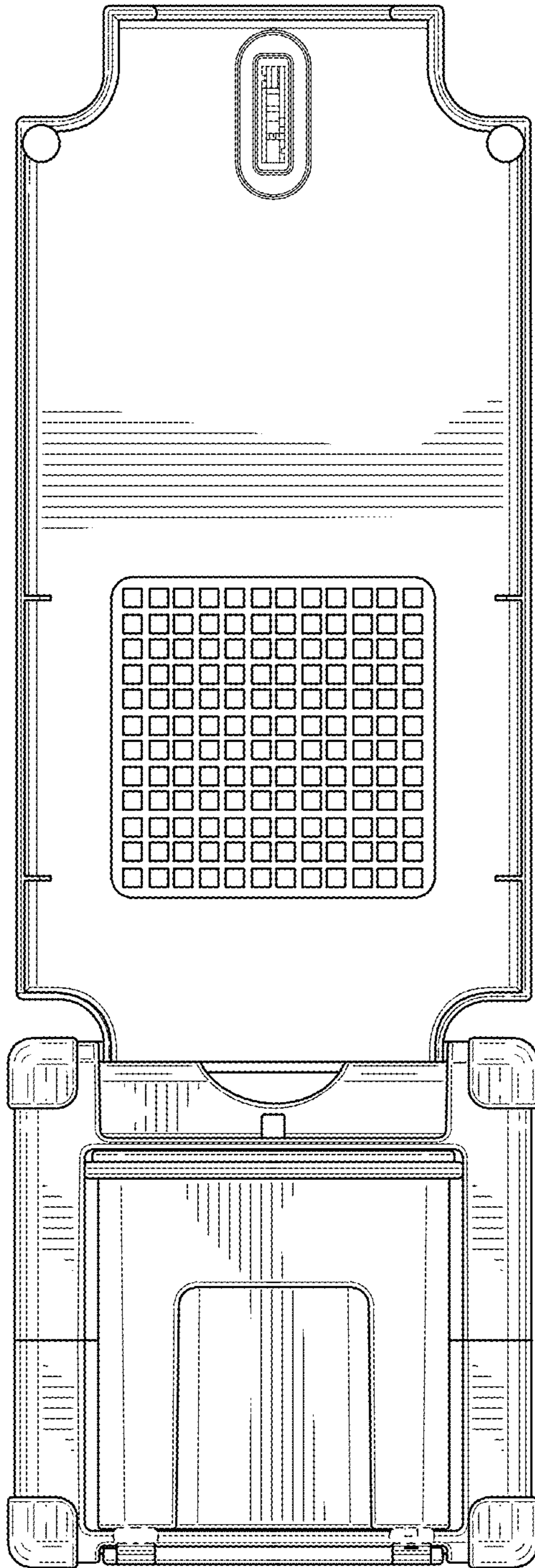


FIG. 5

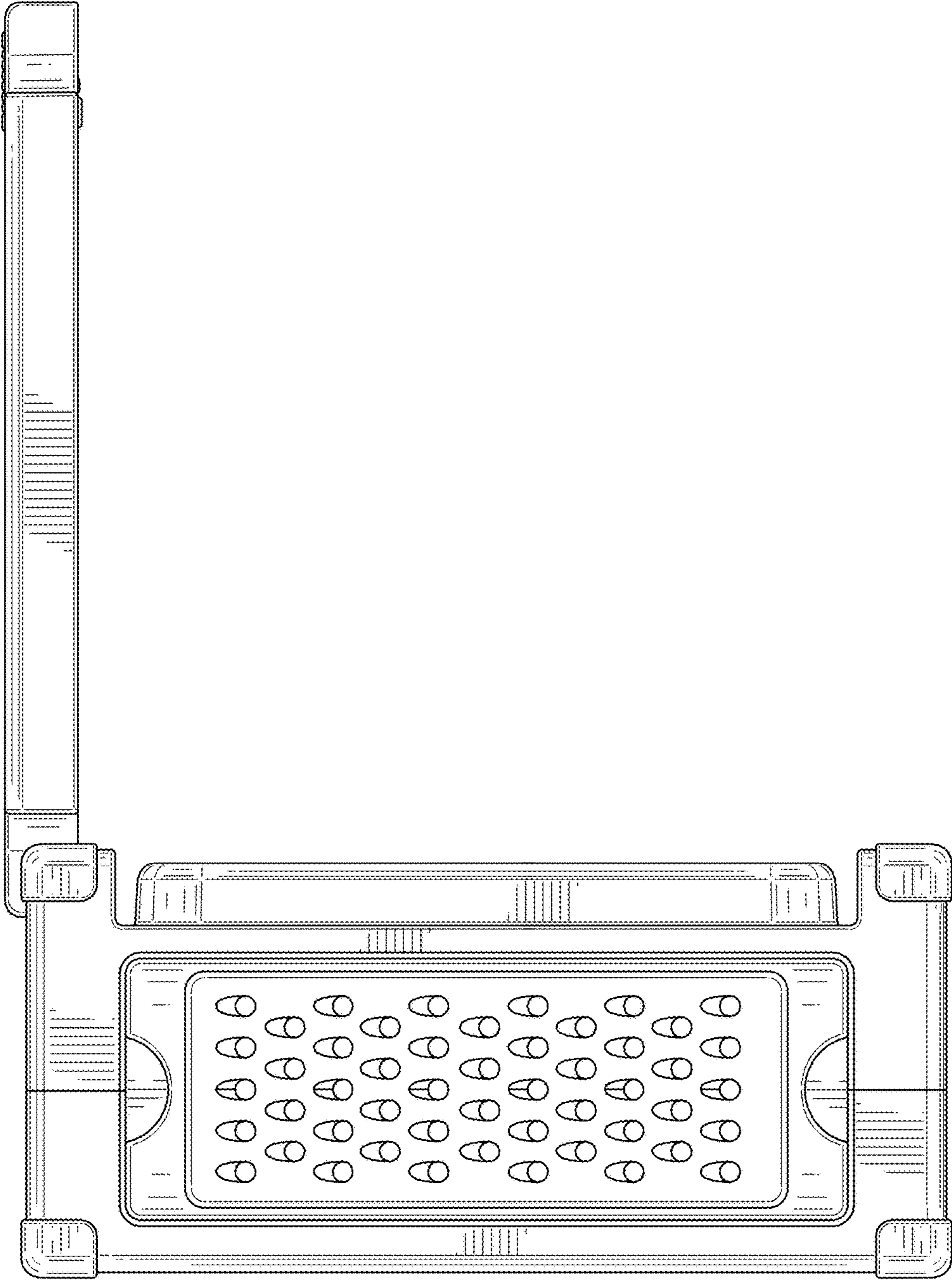


FIG. 6



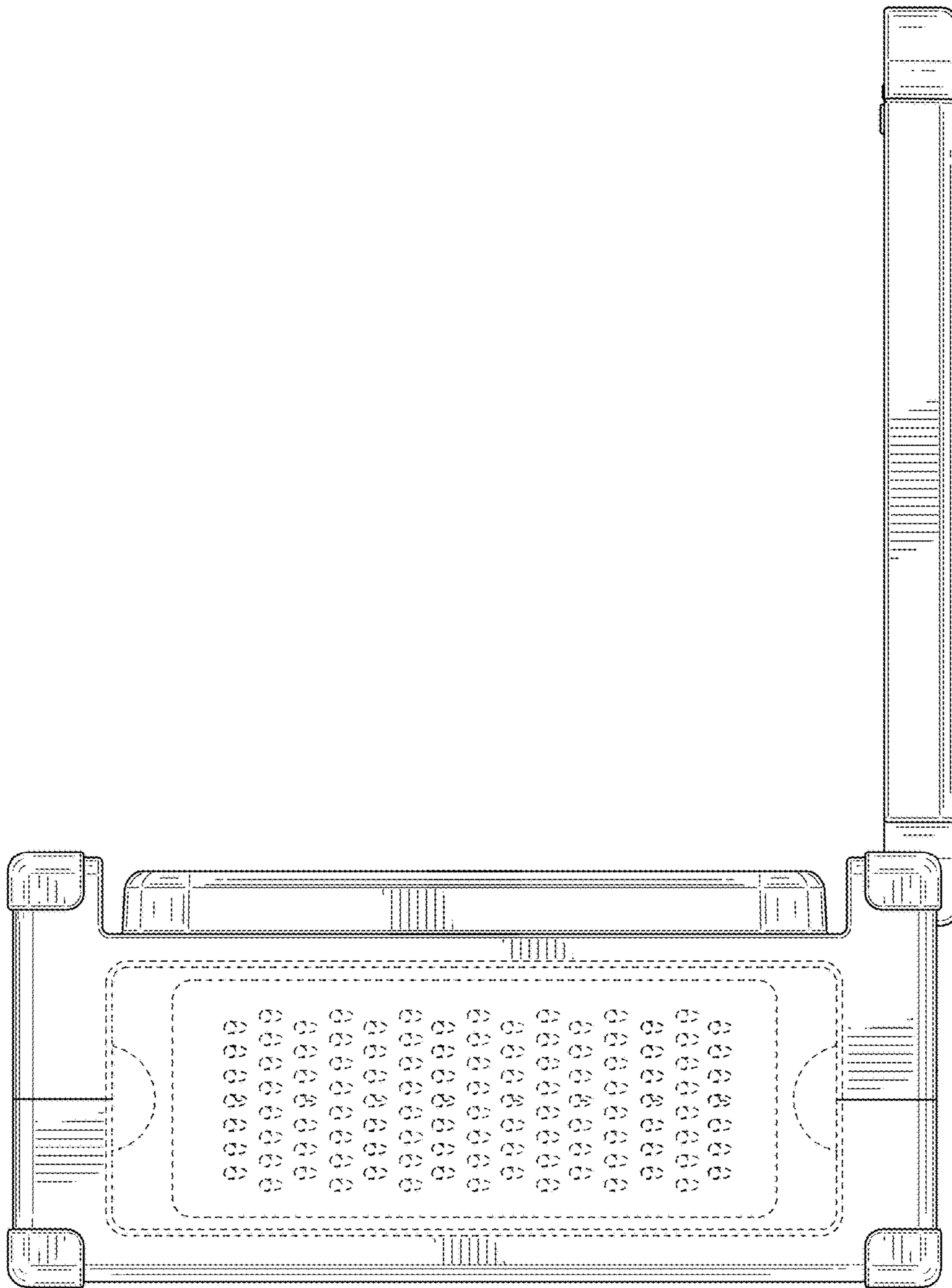


FIG. 7