



US00D823074S

(12) **United States Design Patent**  
**Frank et al.**

(10) **Patent No.:** **US D823,074 S**  
(45) **Date of Patent:** **\*\* Jul. 17, 2018**

(54) **GRAVY SEPARATOR**

D761,063 S \* 7/2016 Jones ..... A47J 19/005  
D7/667

(71) Applicant: **Spectrum Diversified Designs, LLC**,  
Streetsboro, OH (US)

\* cited by examiner

(72) Inventors: **Matthew Frank**, Seattle, WA (US);  
**Derek Veldkamp**, Seattle, WA (US);  
**Jonathan Ostojic**, Seattle, WA (US)

*Primary Examiner* — Terry A Wallace  
(74) *Attorney, Agent, or Firm* — Tucker Ellis LLP;  
Patrick F. Clunk

(73) Assignee: **SPECTRUM DIVERSIFIED  
DESIGNS, LLC**, Streetsboro, OH (US)

(57) **CLAIM**

The ornamental design for a gravy separator, as shown and described.

(\*\*) Term: **15 Years**

**DESCRIPTION**

(21) Appl. No.: **29/599,626**

FIG. 1 is a perspective view of a gravy separator showing our new design.

(22) Filed: **Apr. 5, 2017**

FIG. 2 is an exploded view thereof.

(51) **LOC (11) Cl.** ..... **07-99**

FIG. 3 is a top perspective view thereof, the vessel portion shown separately for clarity of illustration.

(52) **U.S. Cl.**

USPC ..... **D7/667**; D7/669

FIG. 4 is a front view of FIG. 3.

(58) **Field of Classification Search**

USPC ..... D7/667, 315, 319, 669, 368

CPC ..... A47J 19/005; A47J 43/22; A47J 43/284;

A47J 37/1271

See application file for complete search history.

FIG. 5 is a side view of FIG. 3.

FIG. 6 is a rear view of FIG. 3.

FIG. 7 is a bottom plan view of FIG. 3.

FIG. 8 is a top plan view of FIG. 3.

FIG. 9 is a bottom perspective view of FIG. 3.

FIG. 10 is a top perspective view of FIG. 3.

FIG. 11 is a top perspective view thereof, the strainer portion shown separately for clarity of illustration.

FIG. 12 is a top plan view of FIG. 11.

FIG. 13 is a front view of FIG. 11.

FIG. 14 is a side view of FIG. 11; and,

FIG. 15 is a rear view of FIG. 11.

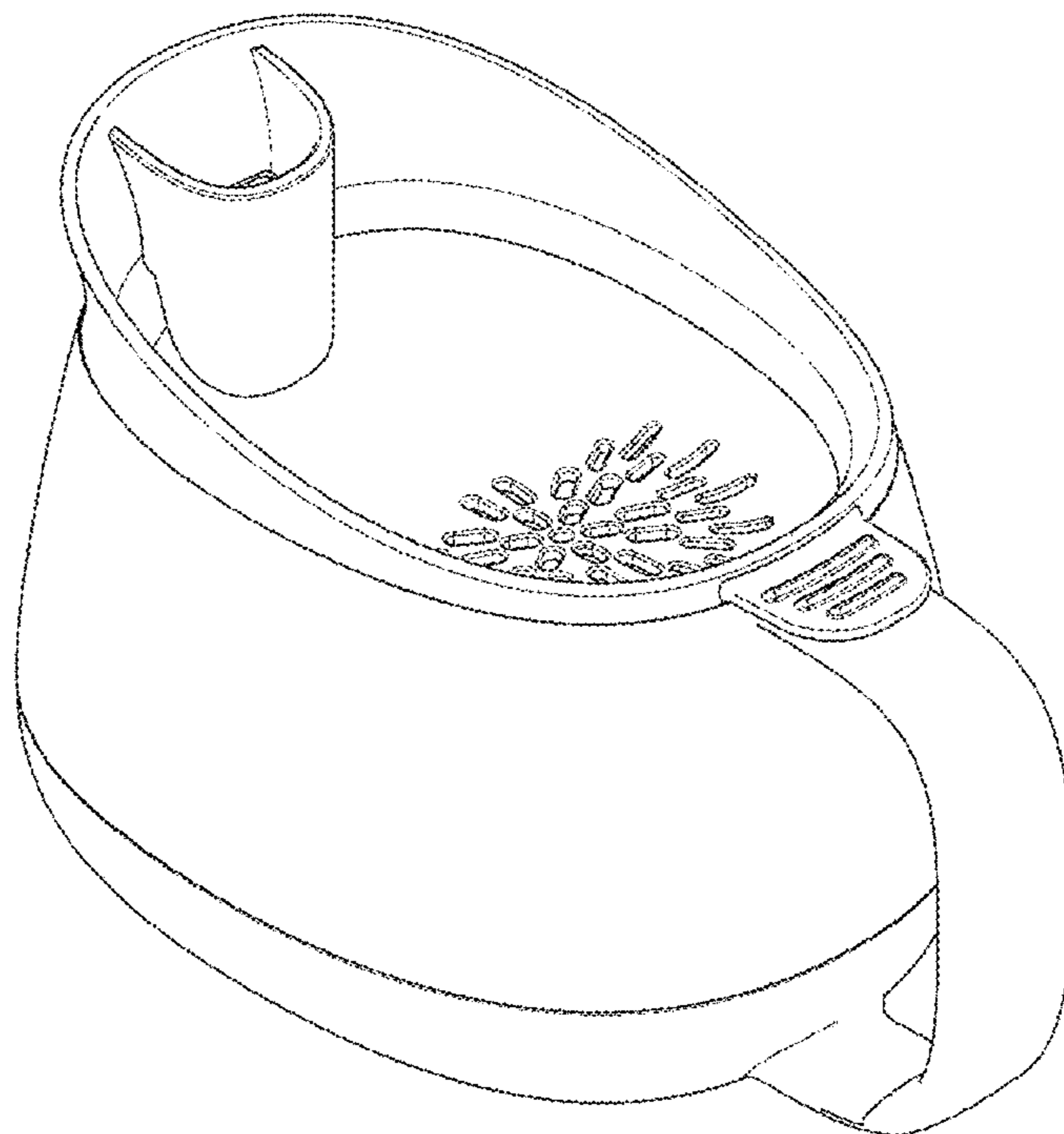
(56) **References Cited**

**U.S. PATENT DOCUMENTS**

5,322,196 A \* 6/1994 Burton ..... A47J 37/1271  
210/244

6,126,018 A \* 10/2000 Cone ..... A47J 43/284  
210/469

**1 Claim, 15 Drawing Sheets**



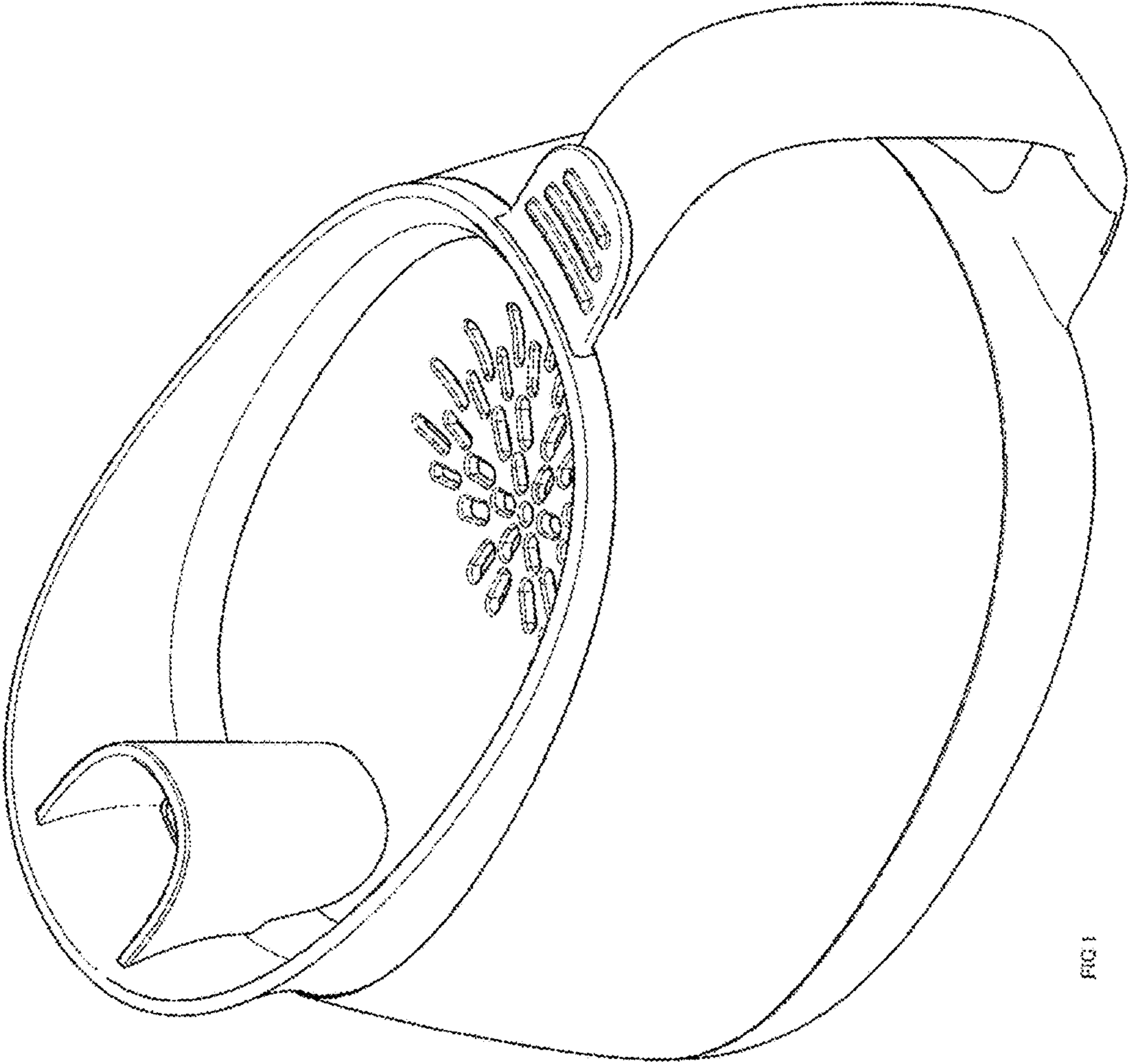


FIG 1

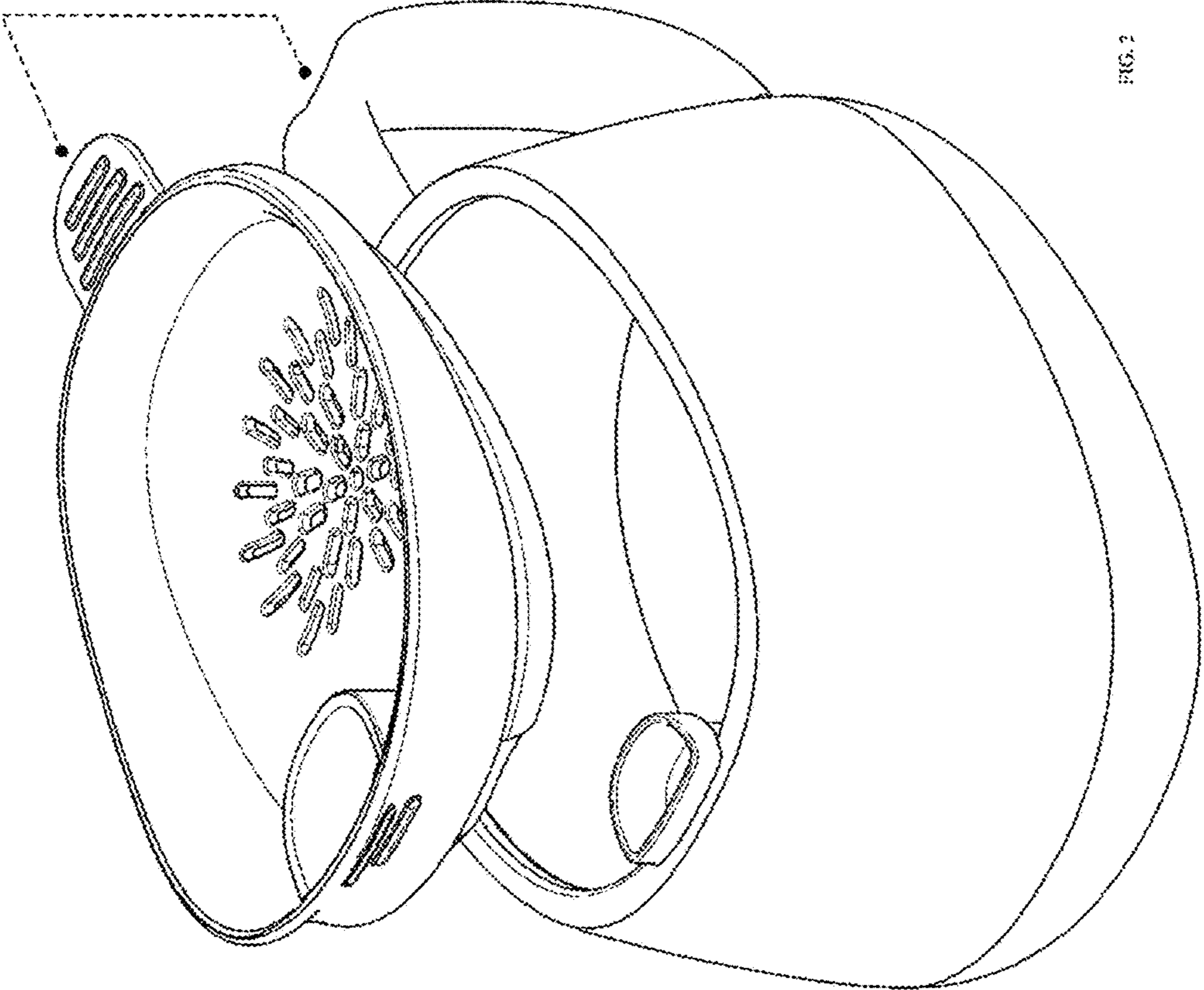


FIG. 2

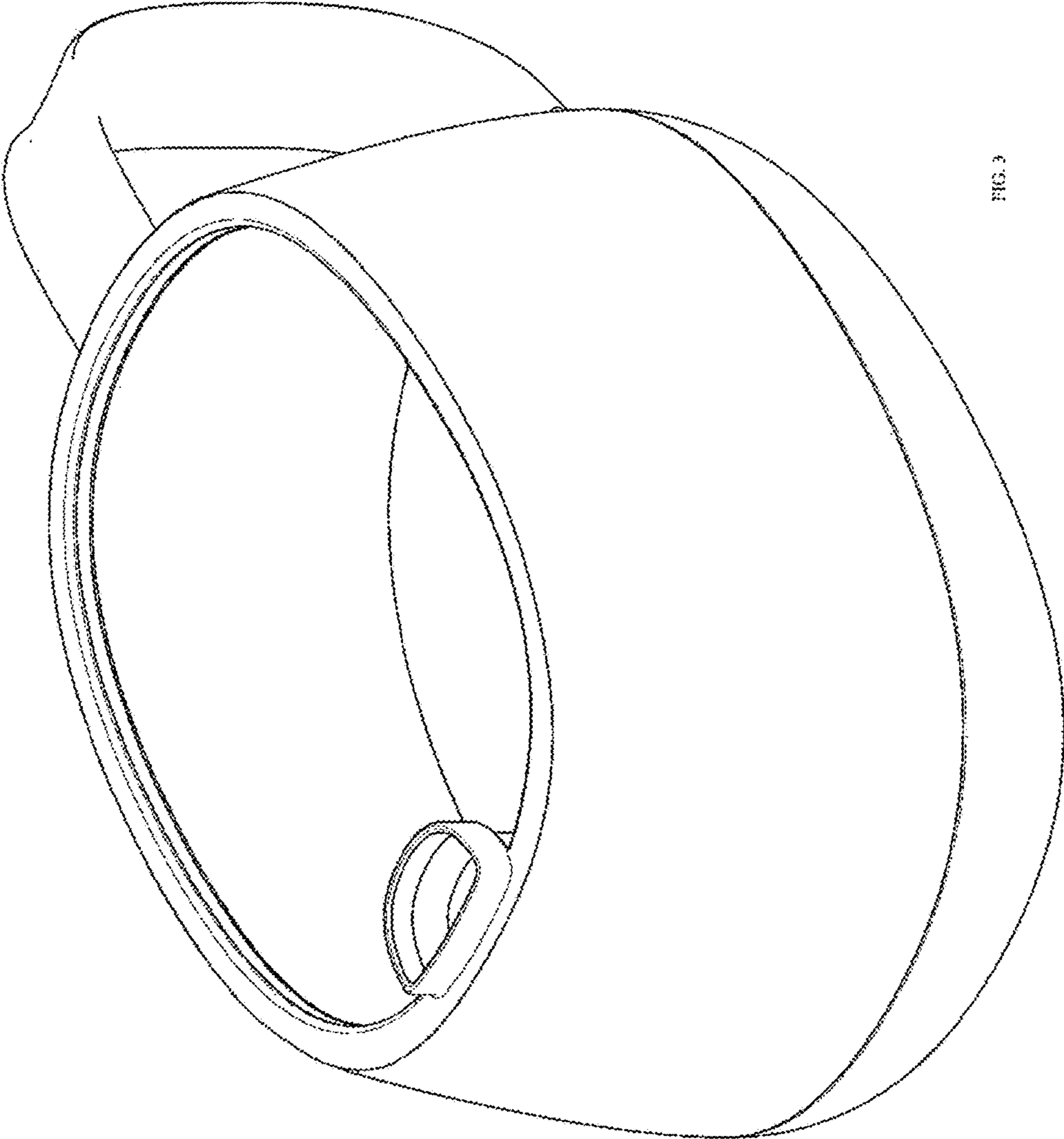


FIG. 3

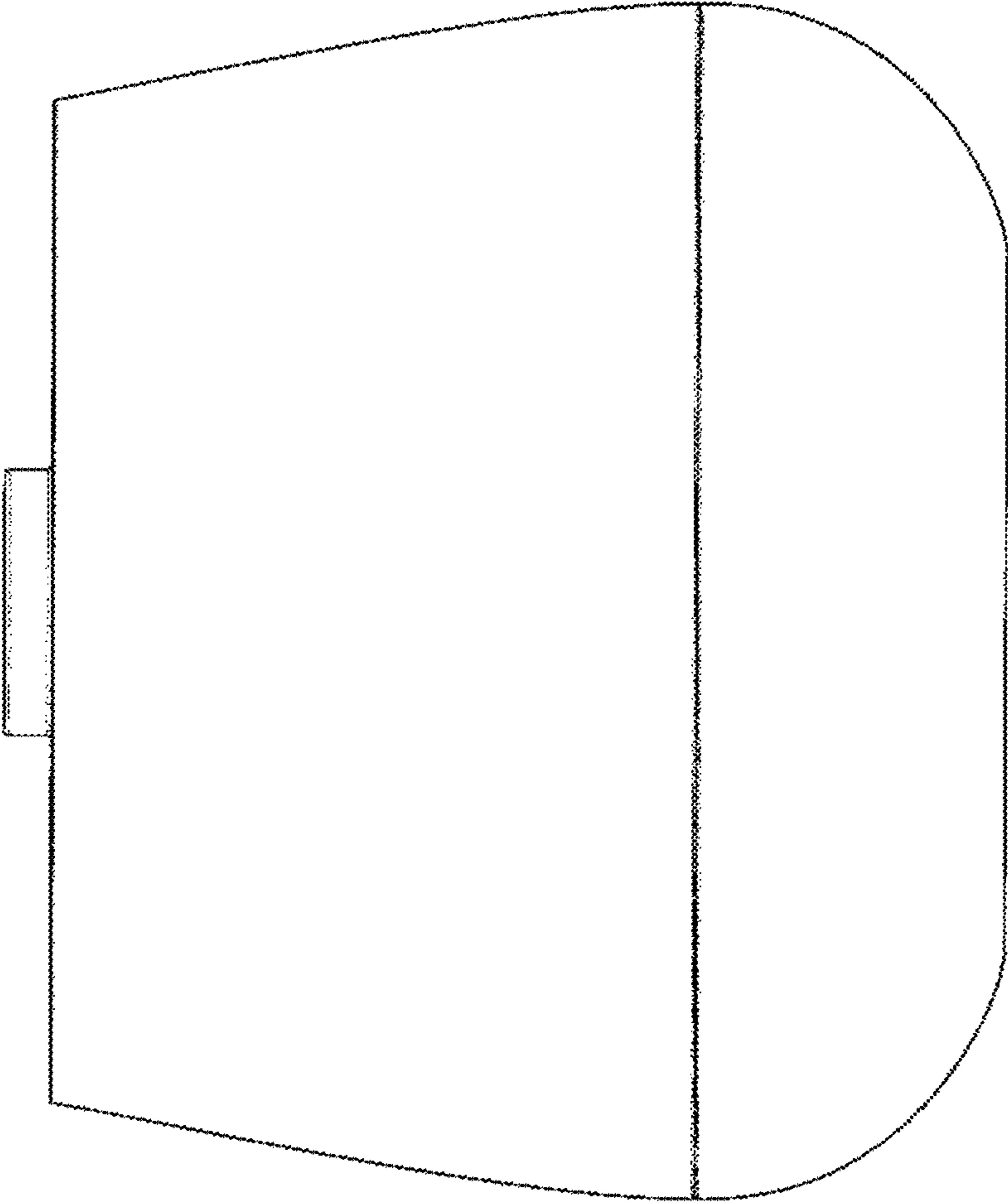


FIG. 4

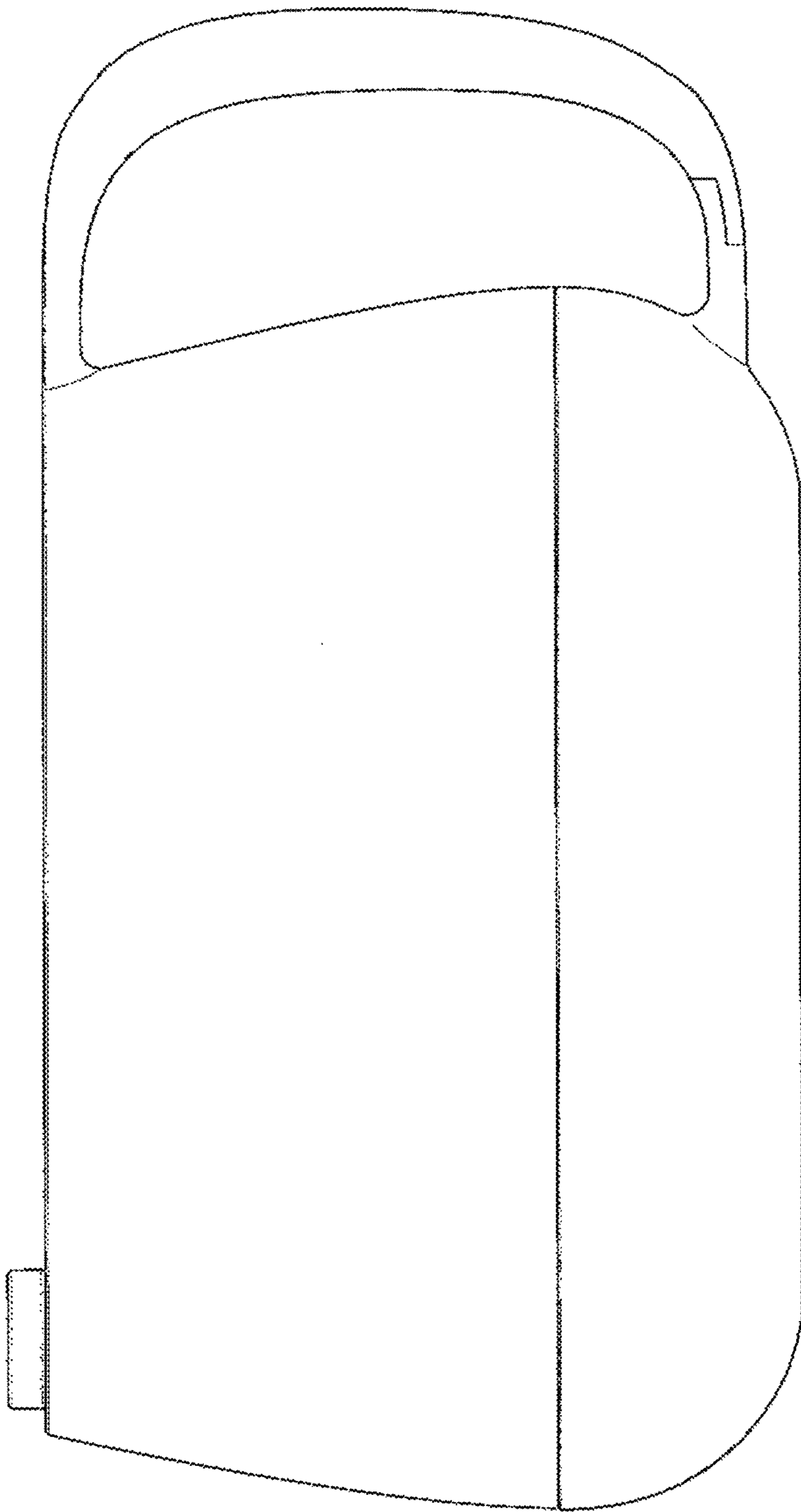


FIG. 5

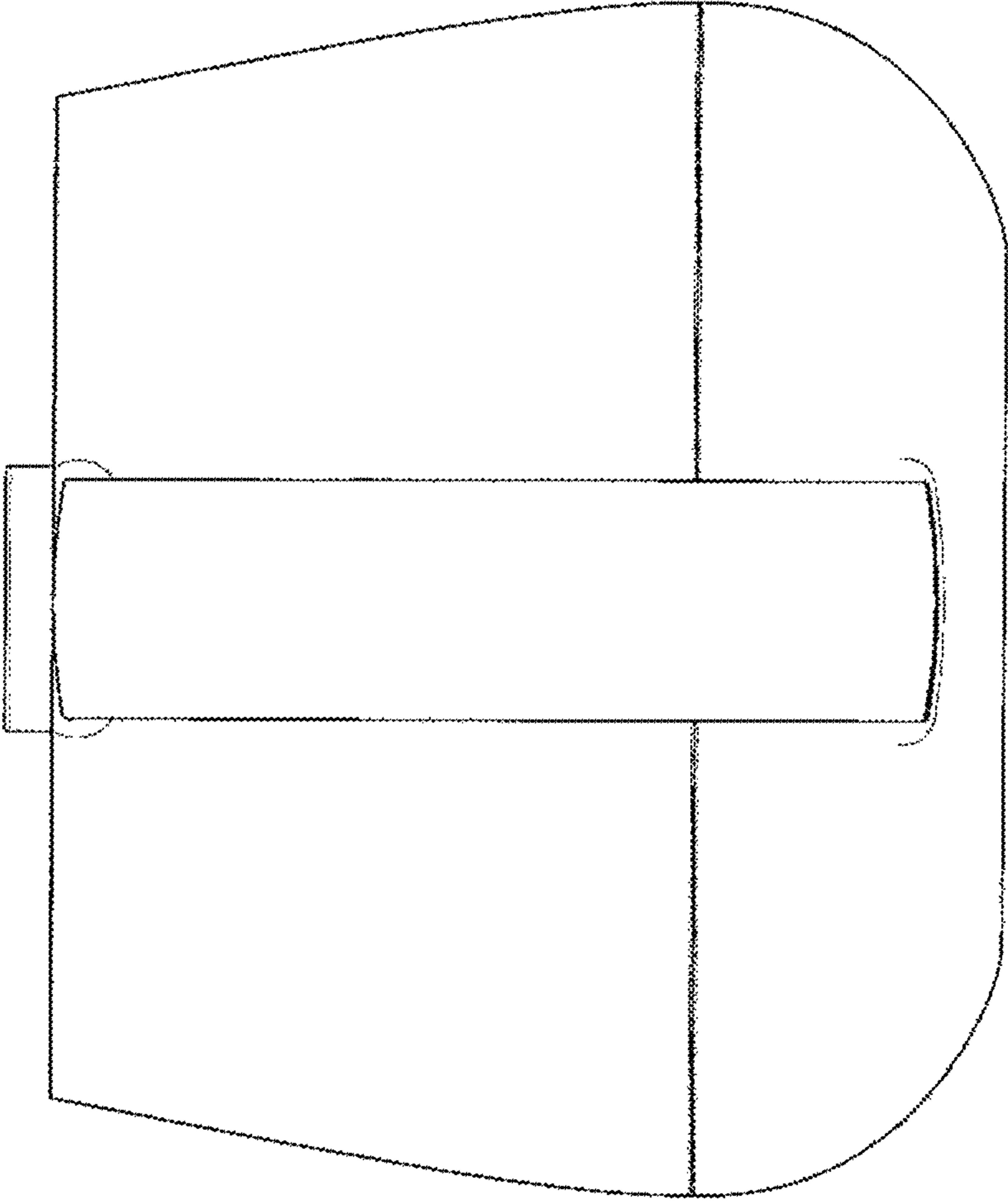


FIG 6

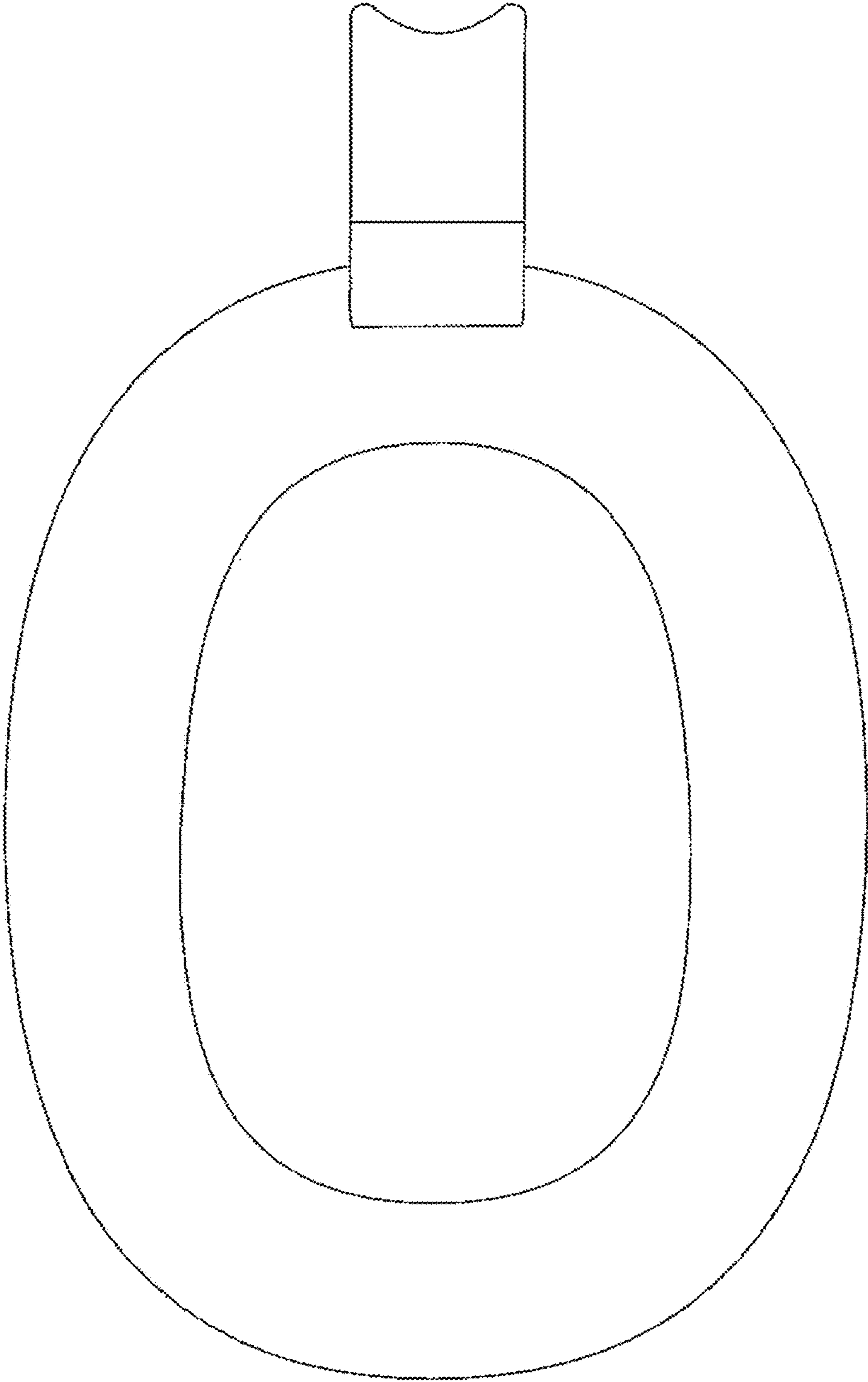


FIG. 7



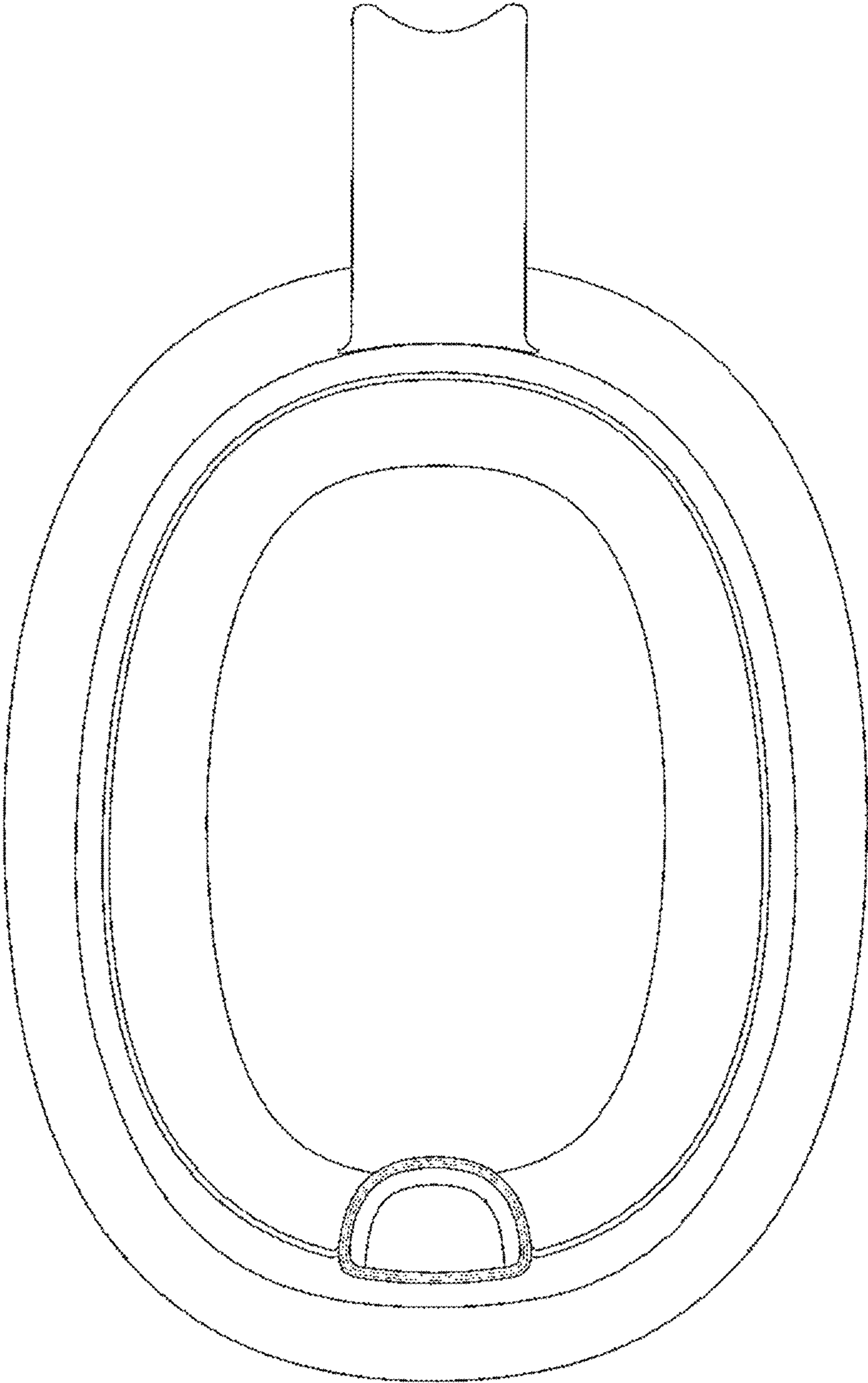


FIG. 8

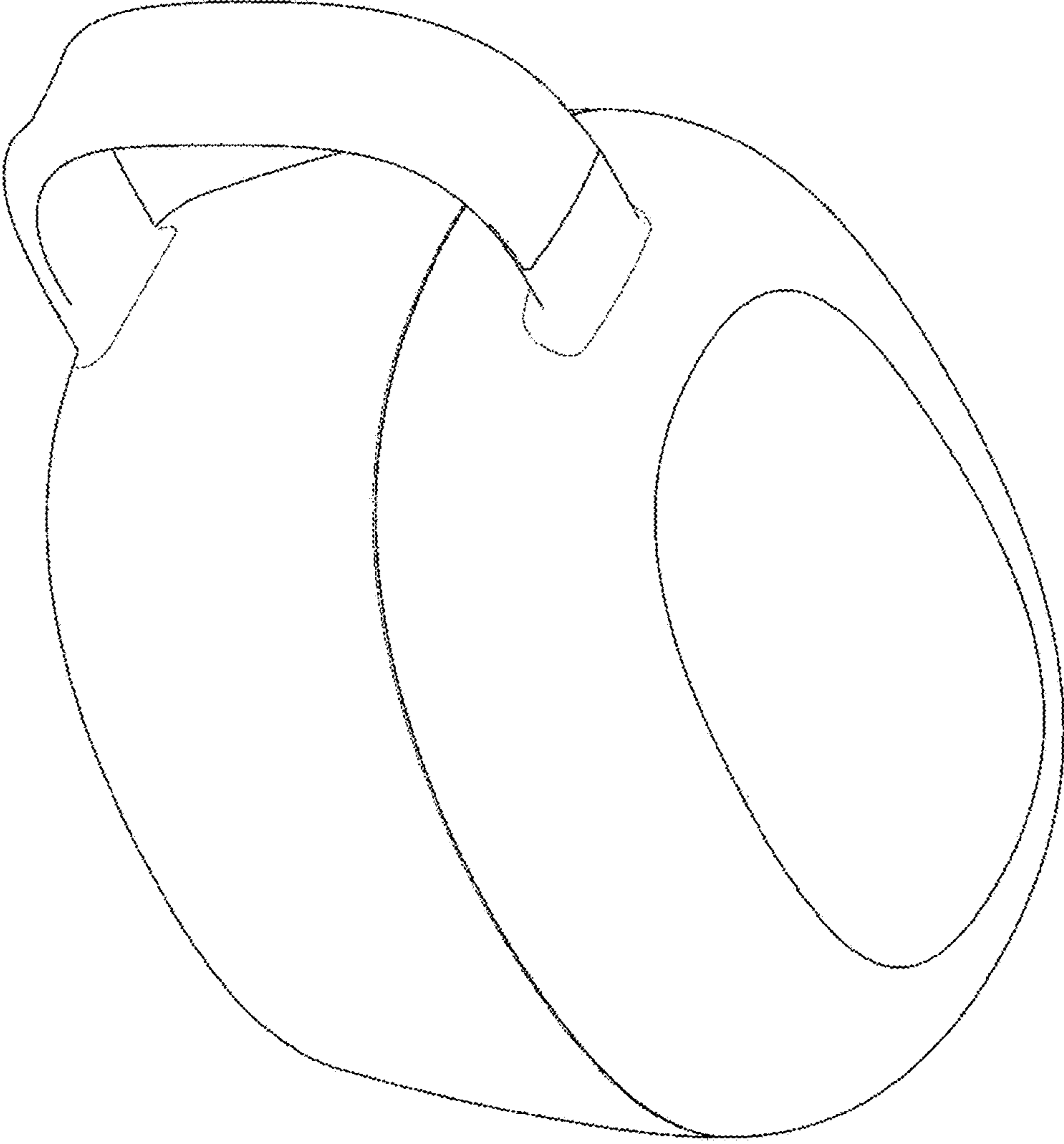


FIG. 9

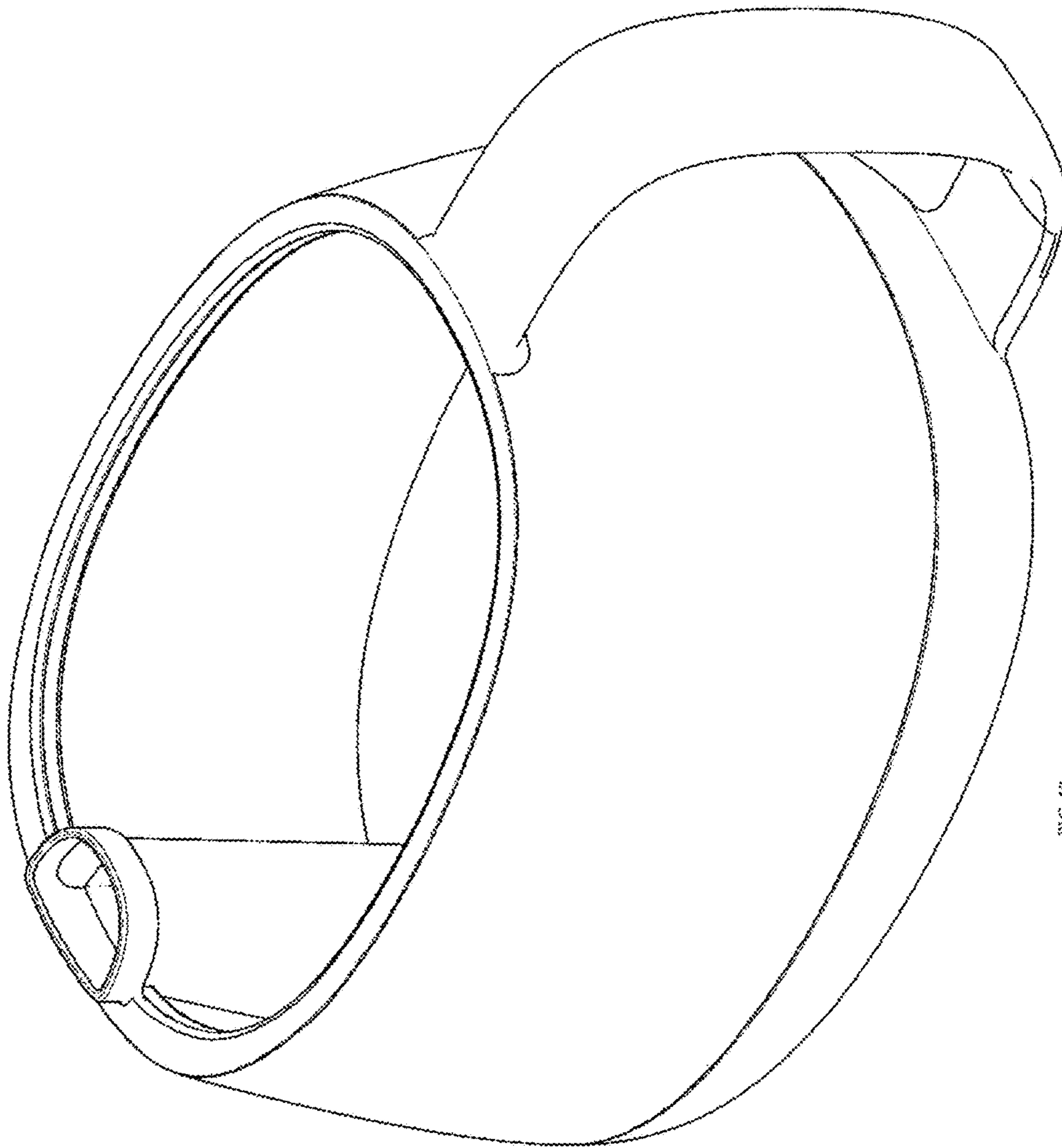


FIG. 10

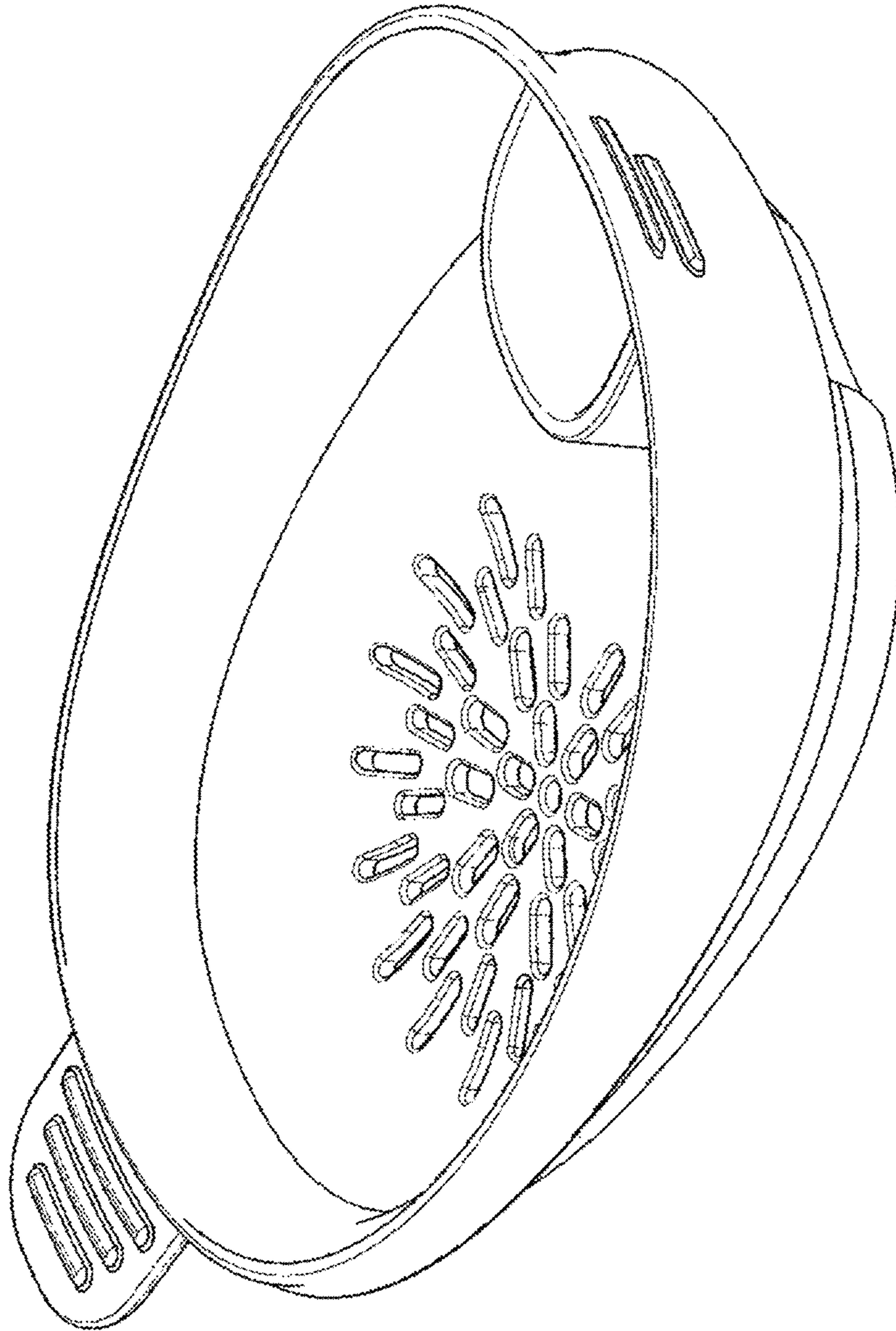


FIG. 11

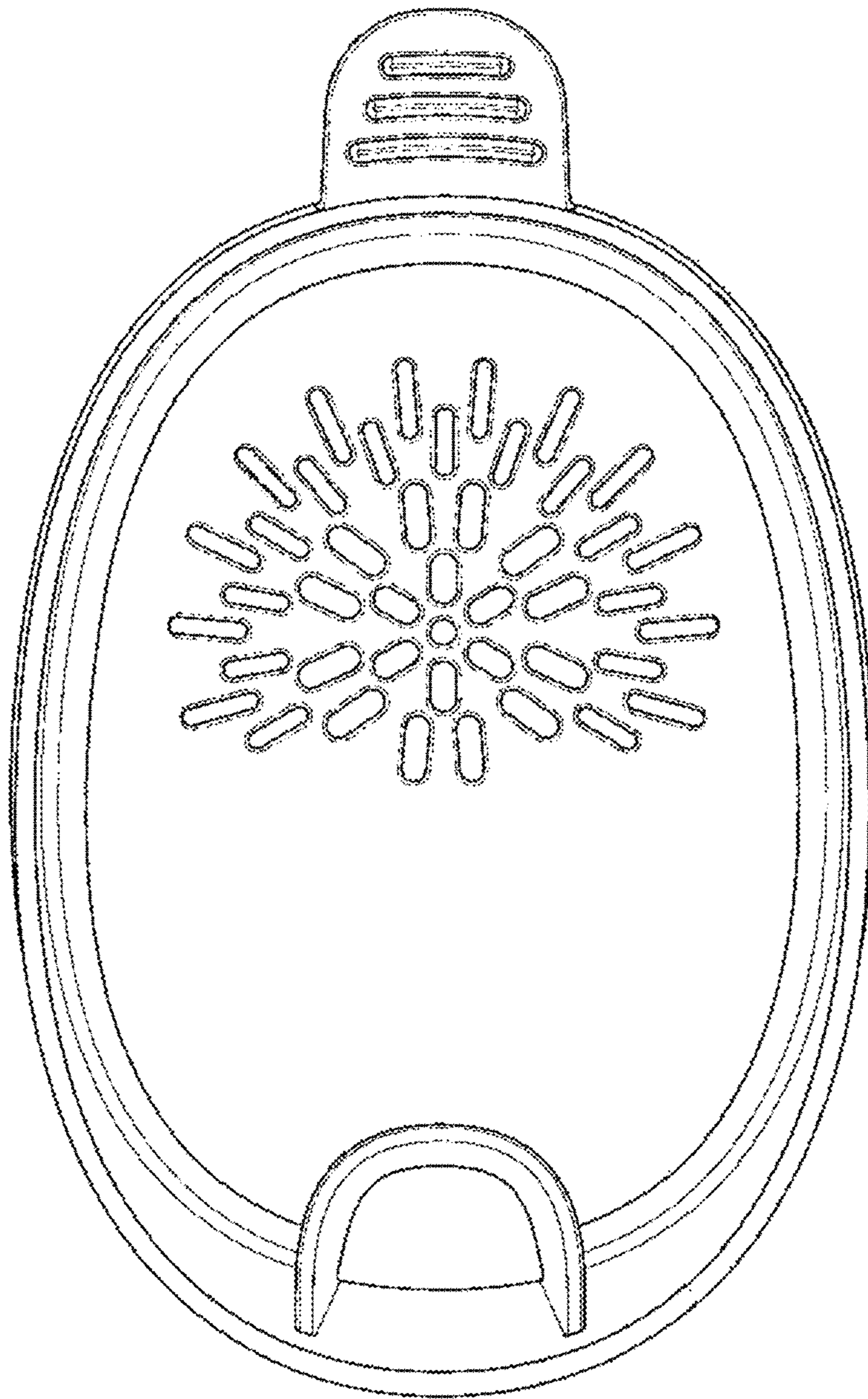


FIG. 12

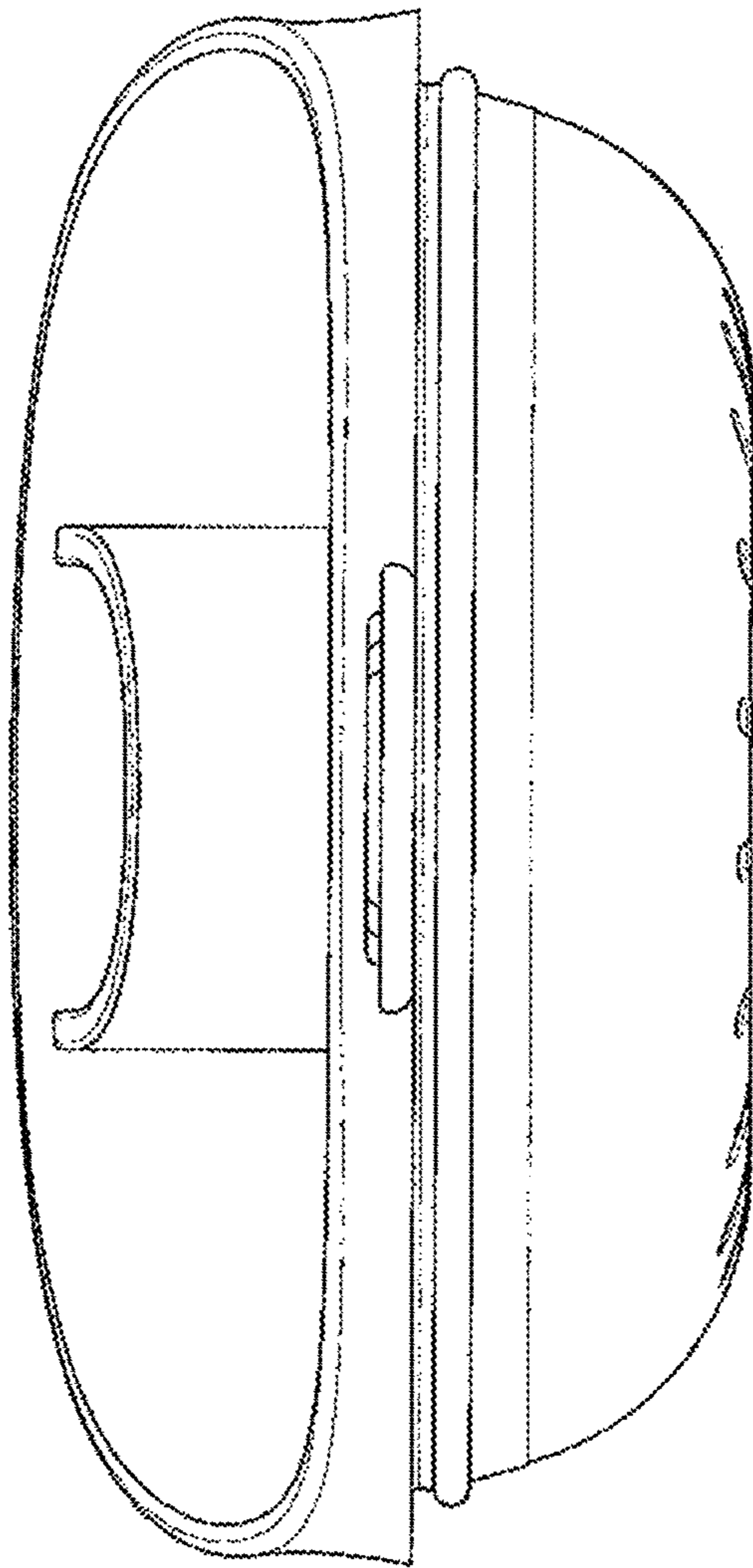


FIG. 13

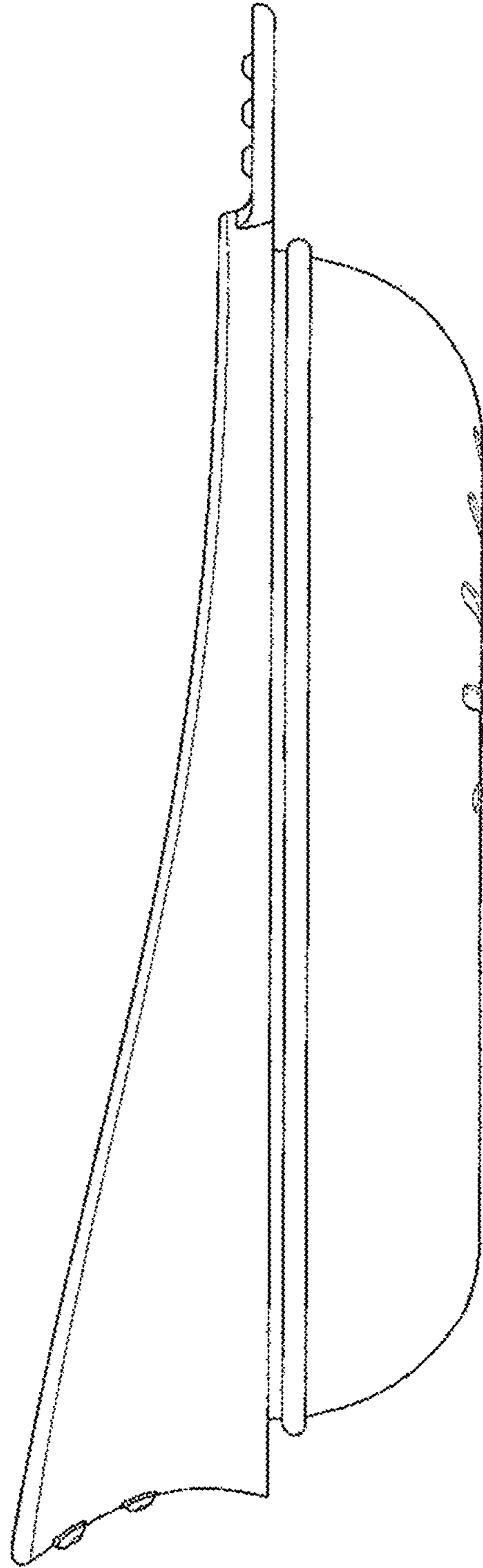


FIG. 14

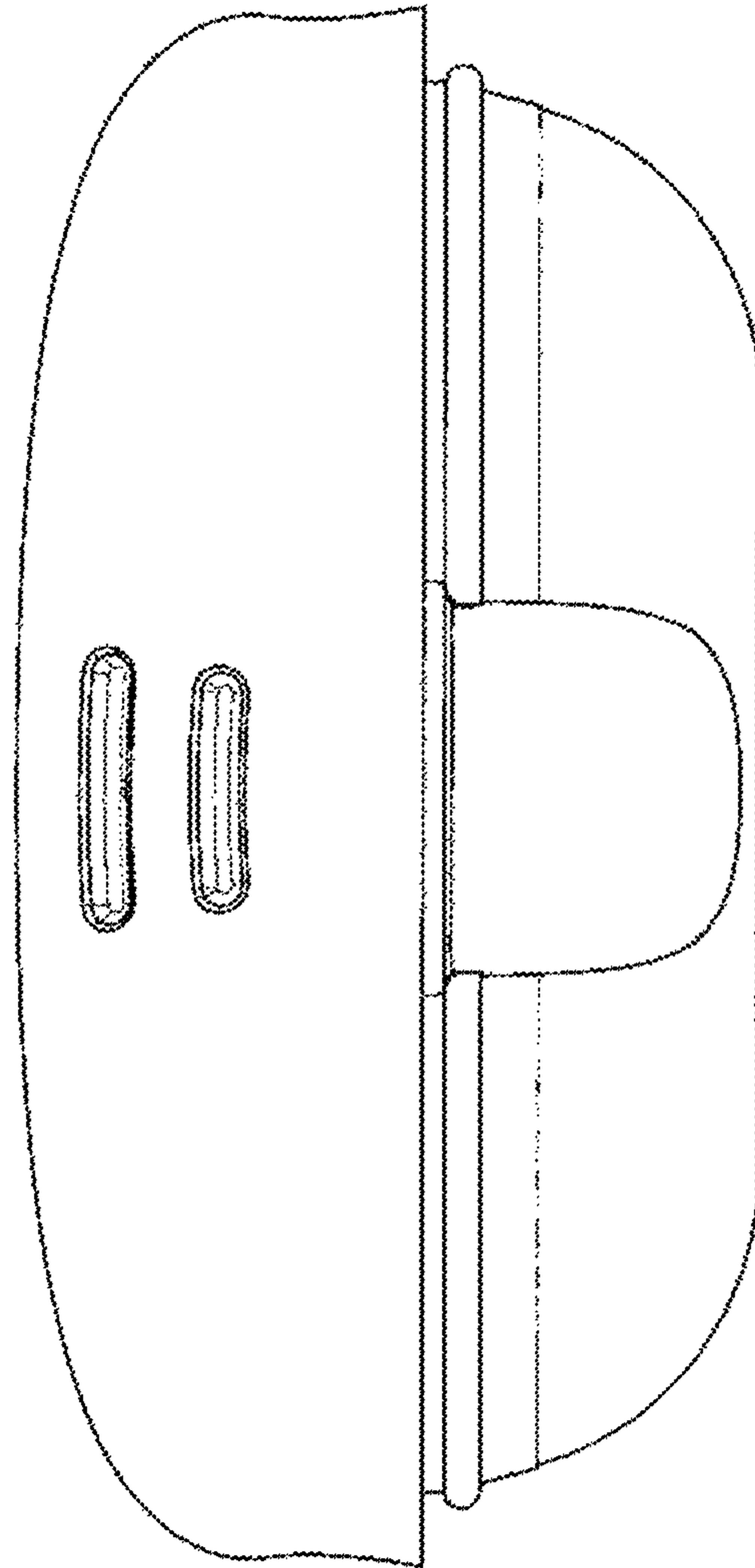


FIG. 15