



US00D823073S

(12) **United States Design Patent**
Crowley et al.

(10) **Patent No.:** **US D823,073 S**
(45) **Date of Patent:** **** Jul. 17, 2018**

(54) **FEEDING SPOON**

(71) Applicants: **Lori Crowley**, Honolulu, HI (US);
Cassidy Crowley, Honolulu, HI (US)

(72) Inventors: **Lori Crowley**, Honolulu, HI (US);
Cassidy Crowley, Honolulu, HI (US)

(**) Term: **15 Years**

(21) Appl. No.: **29/612,543**

(22) Filed: **Aug. 1, 2017**

(51) **LOC (11) Cl.** **07-03**

(52) **U.S. Cl.**
USPC **D7/656**; D7/653

(58) **Field of Classification Search**
USPC D7/368, 401.2, 516, 642-645, 653-664,
D7/669, 675-677, 683, 688-689, 691;
D8/107, 300-301; D11/184; D21/576,
D21/606-609, 616, 625-627;
D22/117-118

CPC ... A01D 9/02; A01D 9/04; A01D 9/06; A47G
21/00; A47G 21/004; A47G 21/005;
A47G 21/02; A47G 21/023; A47G 21/04;
A47G 21/06; A47G 21/08; A47J 43/28;
A47J 43/281; A47J 43/282; A61F 13/10;
A61J 7/0023; B25G 1/00; B25G 1/01;
B25G 1/02; B25G 3/00; B65D 75/56;
B65D 75/563; B65D 75/566; B67B 7/00;
B67B 7/724; B67B 7/73

See application file for complete search history.

(56) **References Cited**

U.S. PATENT DOCUMENTS

D305,254 S * 12/1989 Bateman D21/616
D351,530 S * 10/1994 Petrasek D7/515

D390,425 S * 2/1998 Henry D11/158
D666,937 S * 9/2012 Dunn D11/184
D677,999 S * 3/2013 Skolnik D7/653
D716,107 S * 10/2014 Skolnik D7/401.2

OTHER PUBLICATIONS

OXO Tot 2pk Silicone Feeding Spoon Set sold on Target Brand, Inc.'s website located at: <https://www.target.com/p/oxo-tot-2pk-silicone-feeding-spoon-set/-/A-14722441> as visited on Jul. 28, 2017.

* cited by examiner

Primary Examiner — Ricky Pham

(74) *Attorney, Agent, or Firm* — Seth M. Reiss

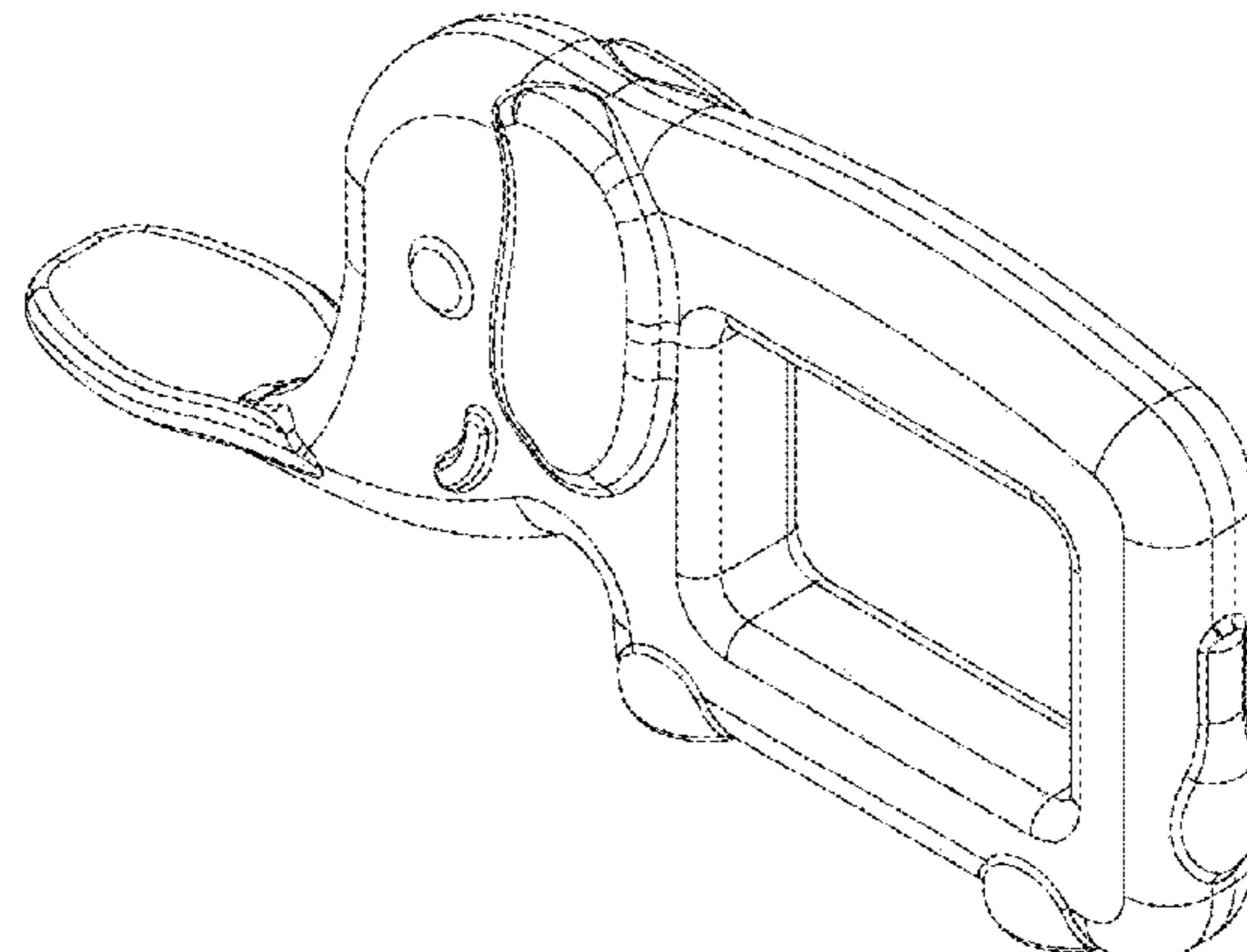
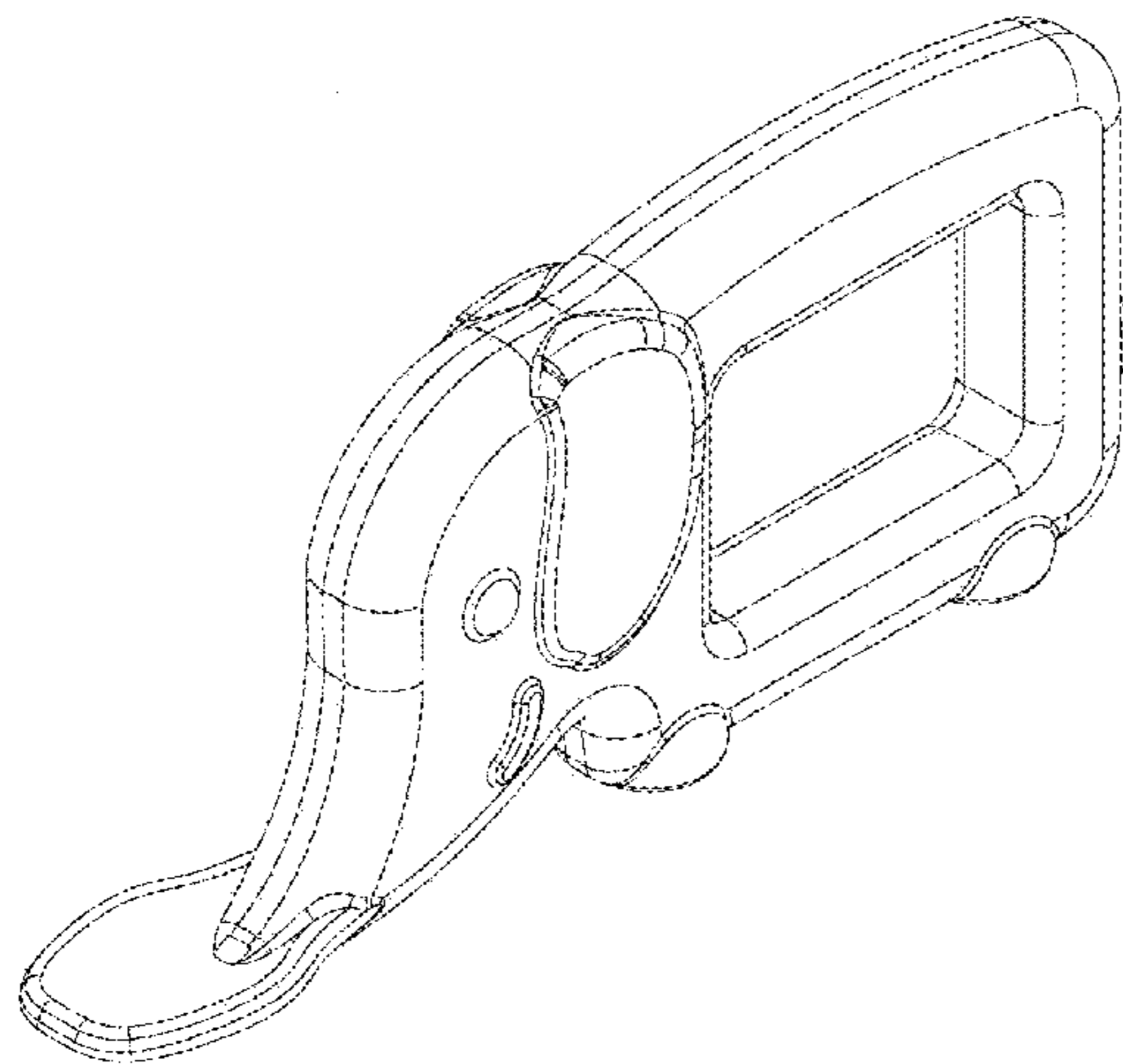
(57) **CLAIM**

We claim the ornamental design for a feeding spoon, as shown and described.

DESCRIPTION

FIG. 1 is a perspective view of the feeding spoon showing the top, right, and front of my new design;
FIG. 2 is a perspective view of the feeding spoon showing the top, right, back of my new design;
FIG. 3 is a front elevational view thereof;
FIG. 4 is a rear elevational view thereof;
FIG. 5 is a right side elevational view thereof;
FIG. 6 is a left side elevational view thereof;
FIG. 7 is a top plan view thereof; and,
FIG. 8 is a bottom plan view thereof.

1 Claim, 3 Drawing Sheets



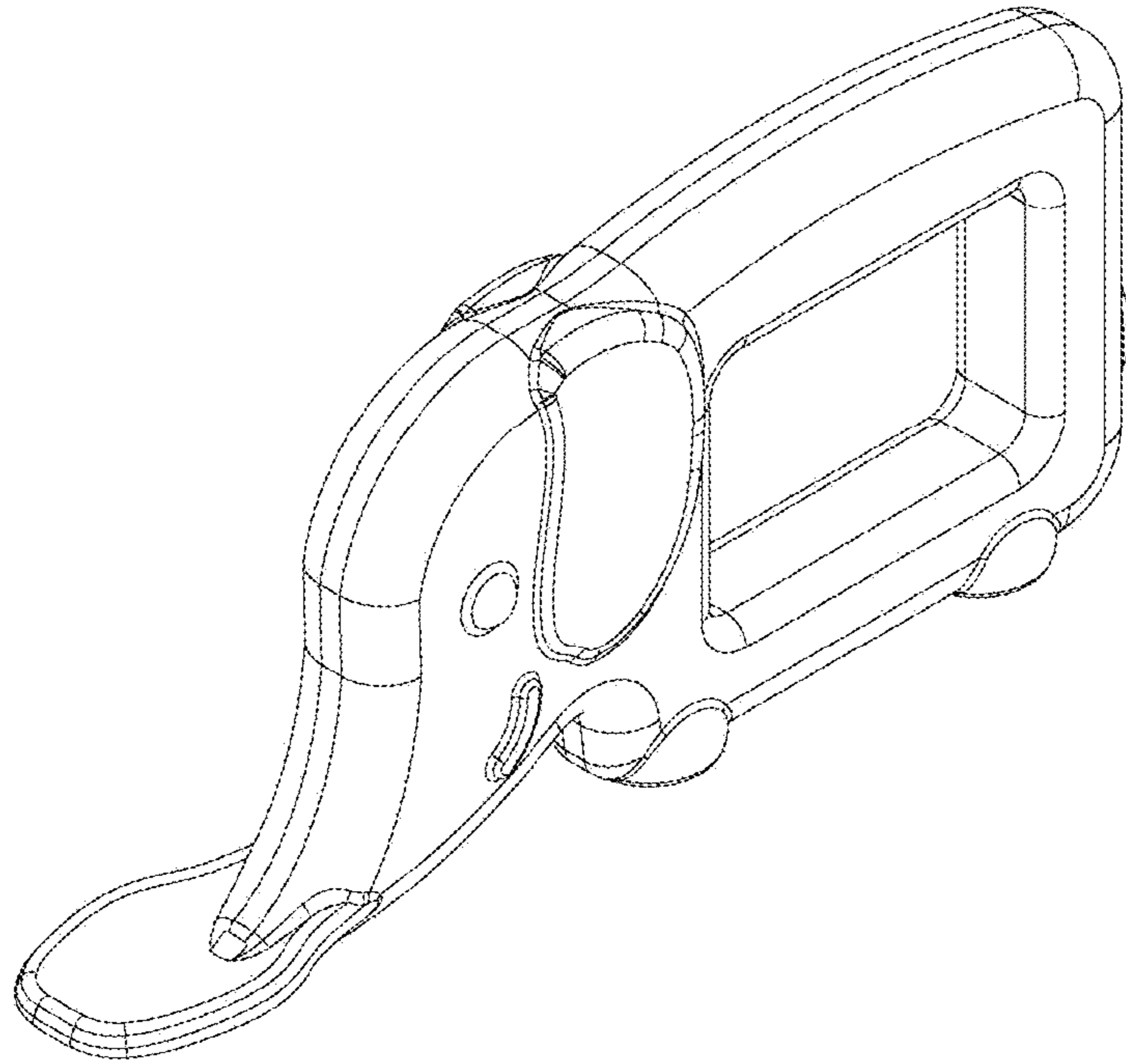


FIG. 1

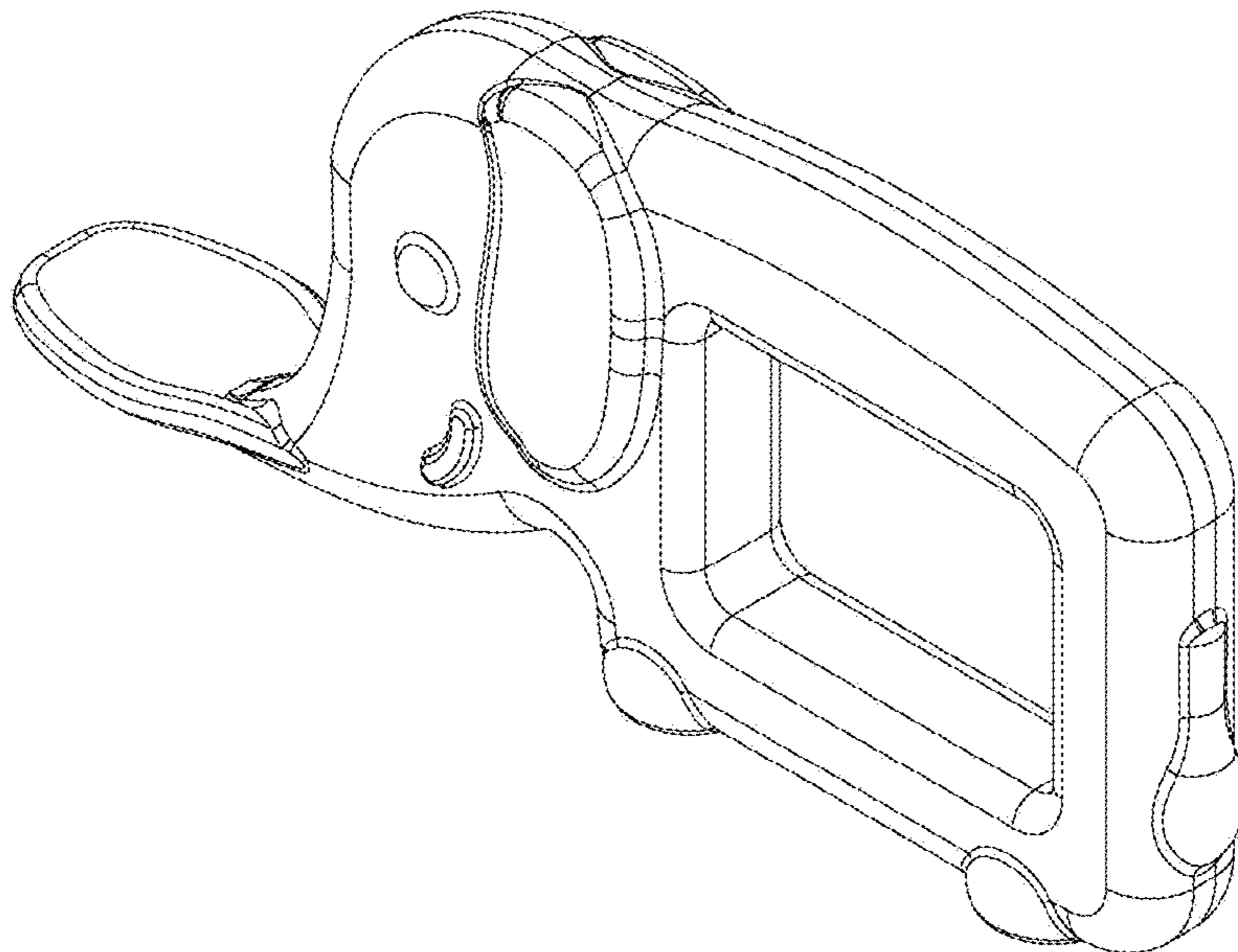


FIG. 2

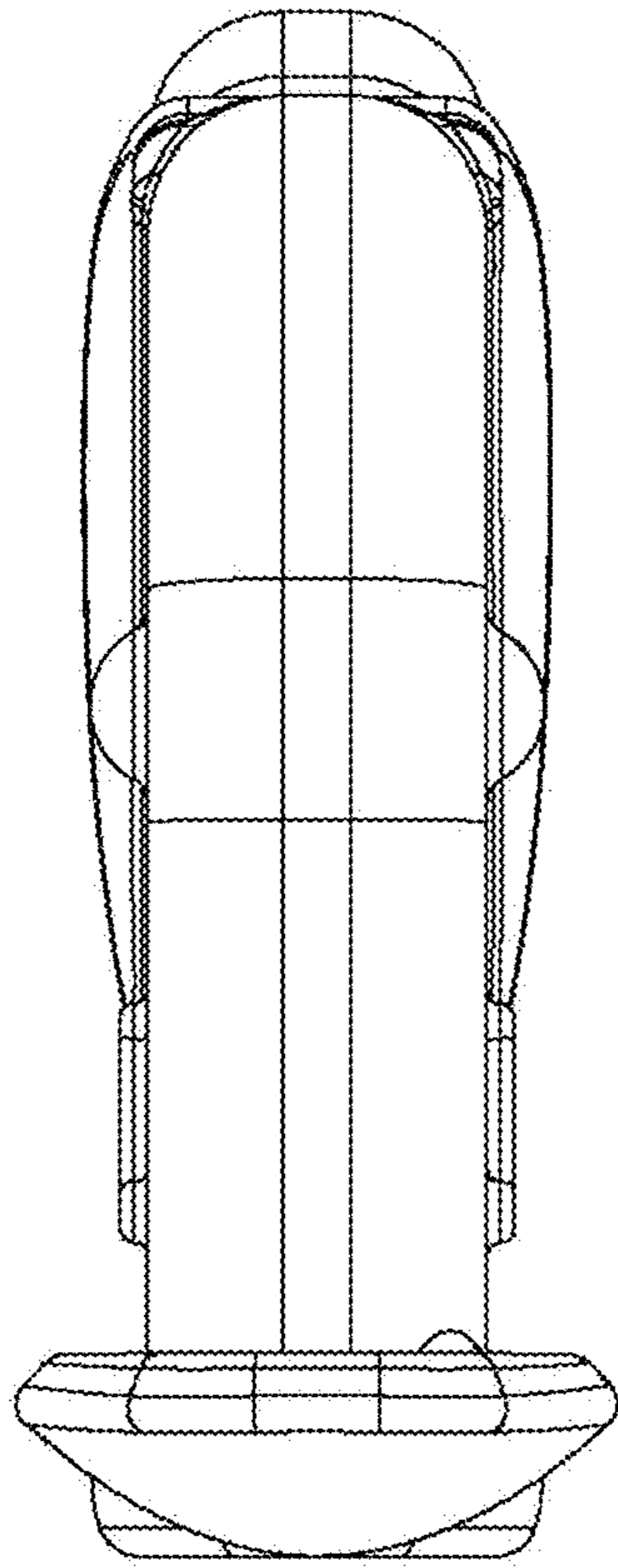


FIG. 3

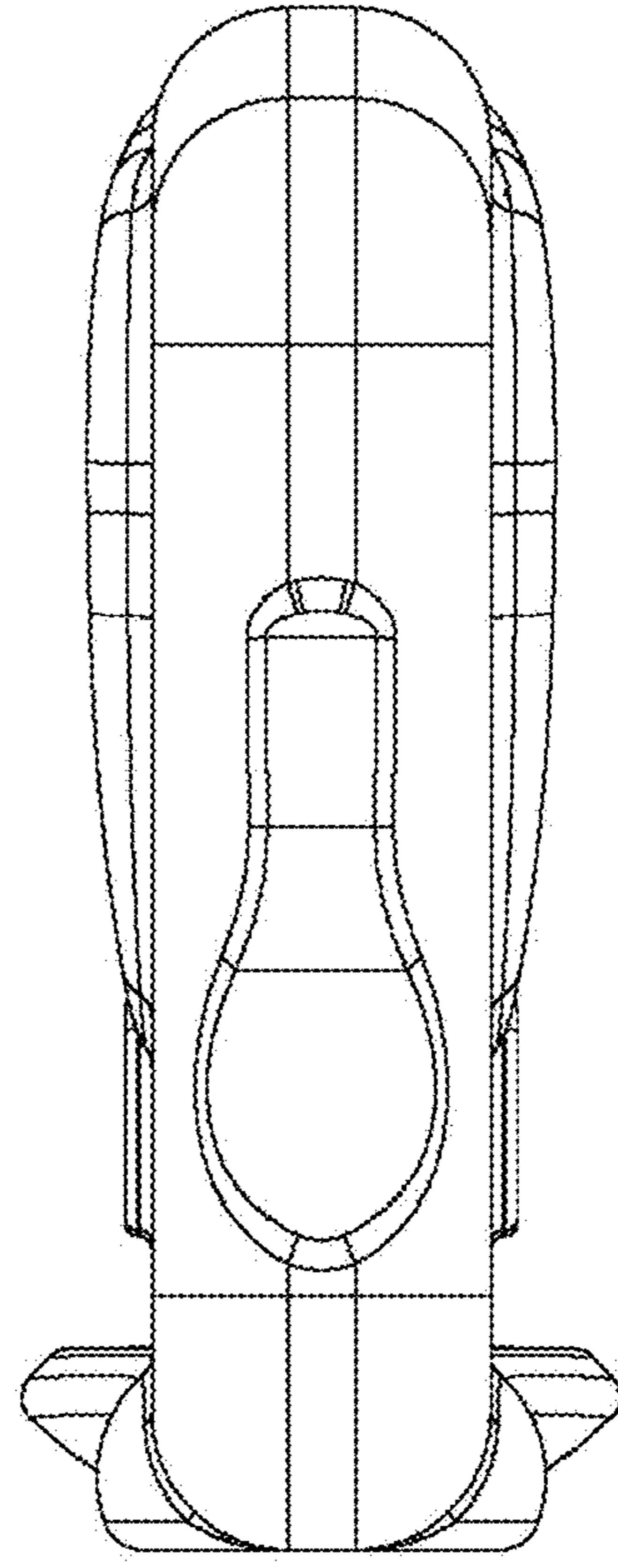


FIG. 4

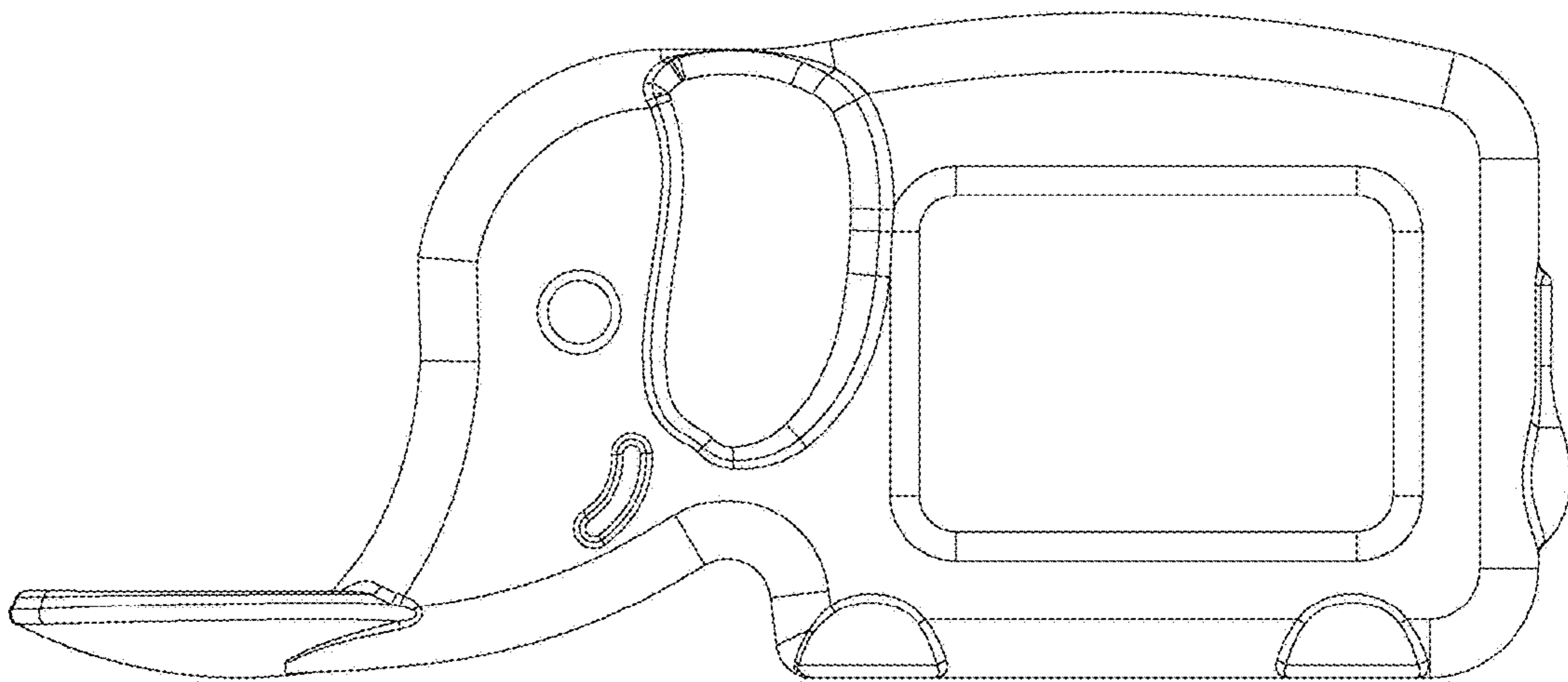


FIG. 5

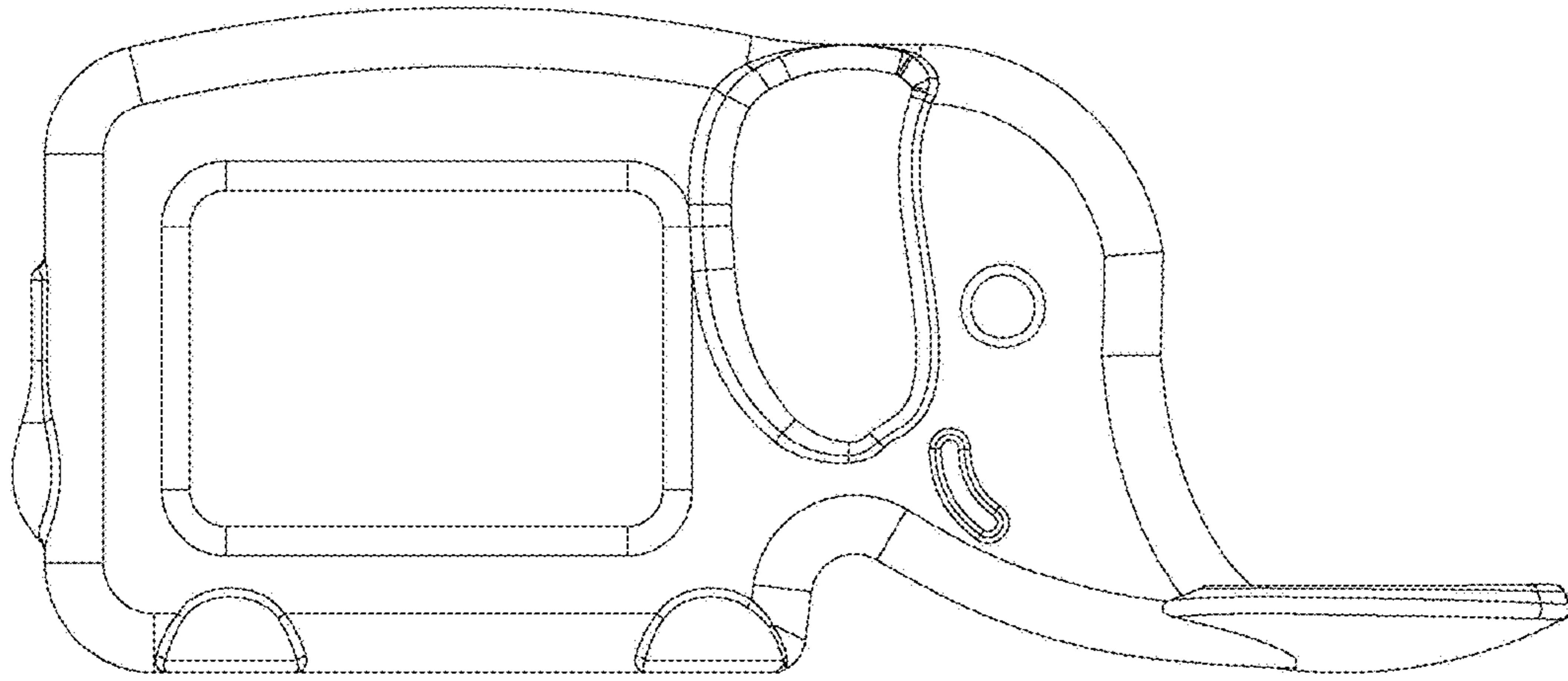


FIG. 6.

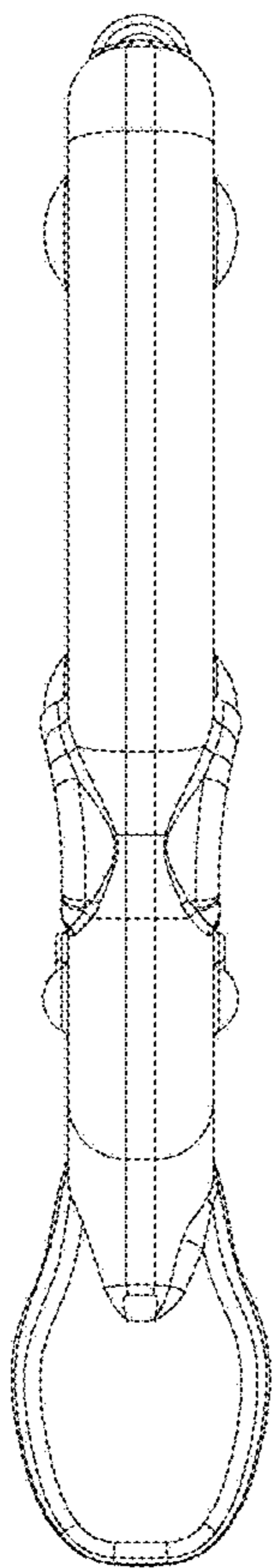


FIG. 7

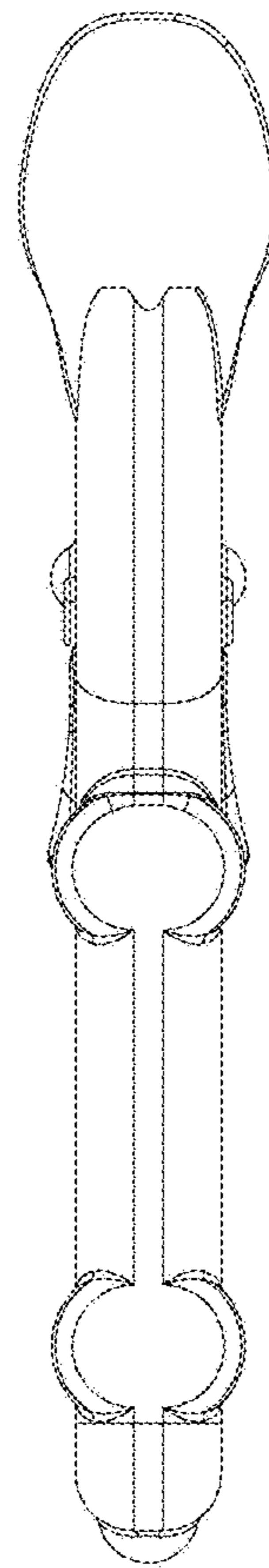


FIG. 8