



US00D823071S

(12) **United States Design Patent** (10) **Patent No.:** **US D823,071 S**  
**Woods** (45) **Date of Patent:** **\*\* Jul. 17, 2018**

- (54) **BEVERAGE COASTER** 4,858,873 A \* 8/1989 Wilmoth ..... A47G 23/03  
215/394
- (71) Applicant: **Nicholas K. Woods**, Oklahoma City, OK (US) 4,889,302 A 12/1989 Tucker  
4,989,419 A 2/1991 Brando et al.  
D316,501 S \* 4/1991 Pinette, Jr. .... D7/624.1
- (72) Inventor: **Nicholas K. Woods**, Oklahoma City, OK (US) 5,024,067 A 6/1991 Maier, II  
5,212,963 A 5/1993 McGinnis  
D336,205 S \* 6/1993 Cooper ..... D7/624.1  
5,273,182 A \* 12/1993 Laybourne ..... A47G 23/03  
215/228
- (\*\*) Term: **15 Years** 5,398,898 A \* 3/1995 Bever ..... A47G 23/0225  
248/154

(21) Appl. No.: **29/579,475**

(22) Filed: **Sep. 30, 2016**

(Continued)

Primary Examiner — Terry A Wallace

(74) Attorney, Agent, or Firm — Dunlap Codding, P.C.

**Related U.S. Application Data**

(63) Continuation of application No. 14/143,768, filed on Dec. 30, 2013, now abandoned.

(51) **LOC (11) Cl.** ..... **07-06**

(52) **U.S. Cl.**  
USPC ..... **D7/624.1**

(58) **Field of Classification Search**

USPC ..... D7/619.1–625, 603–608  
CPC .. F25D 3/08; F25D 2331/80; F25D 2331/805;  
F25D 2331/808; F25D 2331/809; F25D  
2331/812; A47G 23/0313; A47G 23/02;  
A47G 23/0225; A47G 23/0316; A47G  
23/032; A47G 2023/0238; A47G  
2023/0291; A47G 19/2288; B65D  
81/3879

See application file for complete search history.

(56) **References Cited**

**U.S. PATENT DOCUMENTS**

- 2,767,563 A 10/1956 Picascia
- 3,161,031 A 12/1964 Flannery
- 3,434,302 A 3/1969 Stoner et al.
- 4,144,968 A 3/1979 Shelton
- 4,183,226 A 1/1980 Moore
- D260,070 S \* 8/1981 Haverland ..... D7/388
- 4,747,274 A 5/1988 Duemmig-Zitzmann

(57) **CLAIM**

The ornamental design for a beverage coaster, as shown and described.

**DESCRIPTION**

FIG. 1 is a perspective view of a beverage coaster showing my new design.

FIG. 2 is a front view thereof, the rear view being a mirror image.

FIG. 3 is a side view thereof, the opposite side being a mirror image.

FIG. 4 is a top plan view thereof.

FIG. 5 is a bottom plan view thereof.

FIG. 6 is a perspective view of an alternate embodiment of FIG. 1.

FIG. 7 is a front view of FIG. 6, the rear view being a mirror image.

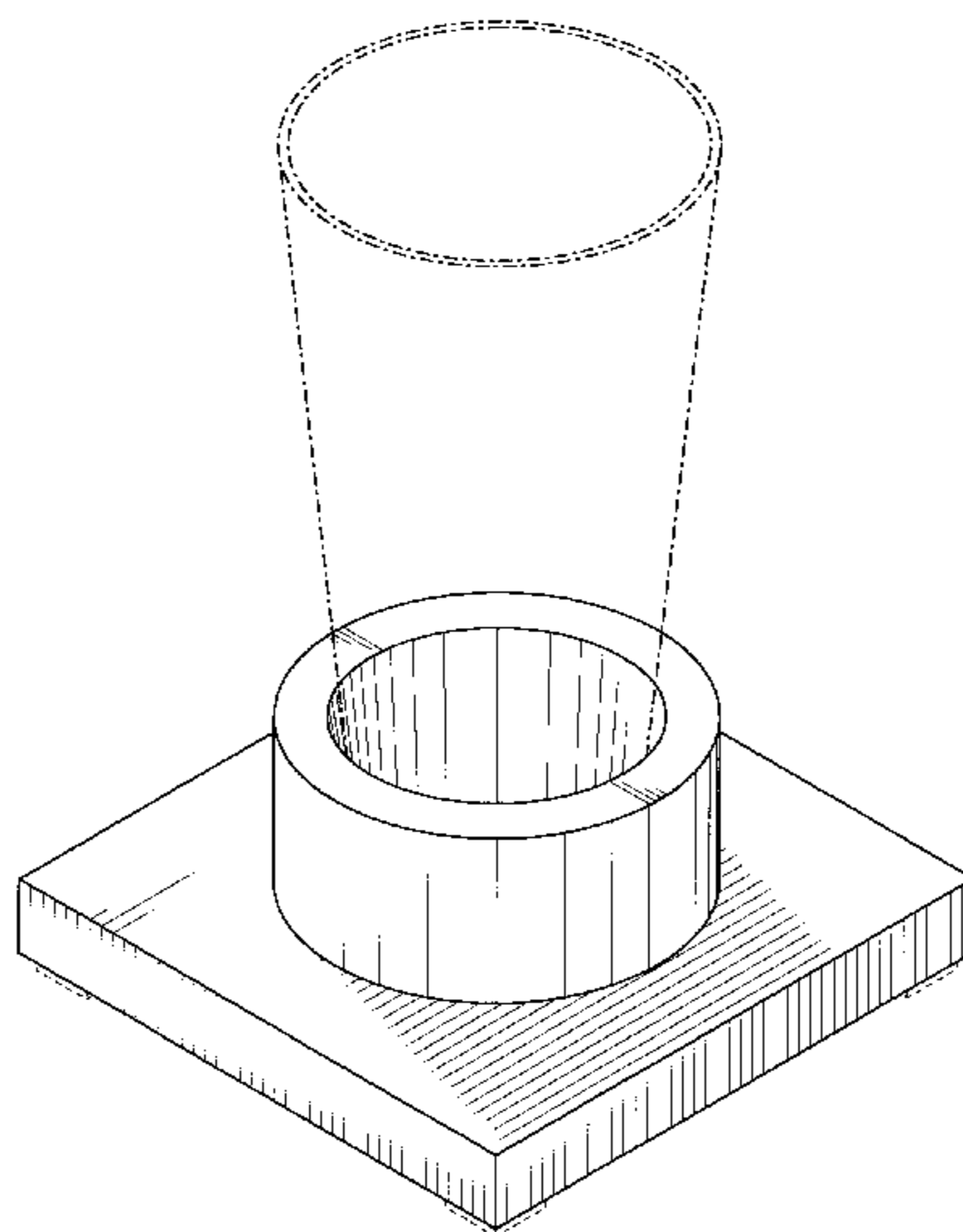
FIG. 8 is a side view of FIG. 6, the opposite side being a mirror image.

FIG. 9 is a top plan view of FIG. 6; and,

FIG. 10 is a bottom plan view of FIG. 6.

The broken lines shown in FIGS. 1-3 and 5-6 are for purposes of illustrating environment only and form no part of the claimed design.

**1 Claim, 6 Drawing Sheets**



(56)

**References Cited**

U.S. PATENT DOCUMENTS

5,447,764 A \* 9/1995 Langford ..... A47G 23/0216  
220/560  
5,474,206 A 12/1995 Herring, Sr.  
D383,271 S \* 9/1997 Eshelman ..... D32/54  
D392,514 S \* 3/1998 Steinfels ..... D7/624.1  
D418,377 S \* 1/2000 Ferguson ..... D7/624.1  
6,047,849 A \* 4/2000 Schwegman ..... B65D 1/265  
220/675  
6,089,519 A 7/2000 Laybourne  
6,109,581 A \* 8/2000 Kracke ..... A47G 23/0241  
211/74  
6,786,062 B1 9/2004 Greenberg  
7,124,604 B2 \* 10/2006 Taylor ..... A47G 23/0313  
62/457.4  
7,331,194 B2 2/2008 Lefkowitz et al.  
7,805,959 B2 \* 10/2010 Webb ..... F25D 3/08  
62/457.3  
D653,088 S \* 1/2012 Hansen ..... D7/624.1  
2006/0059944 A1 \* 3/2006 Taylor ..... A47G 23/0313  
62/457.4

\* cited by examiner

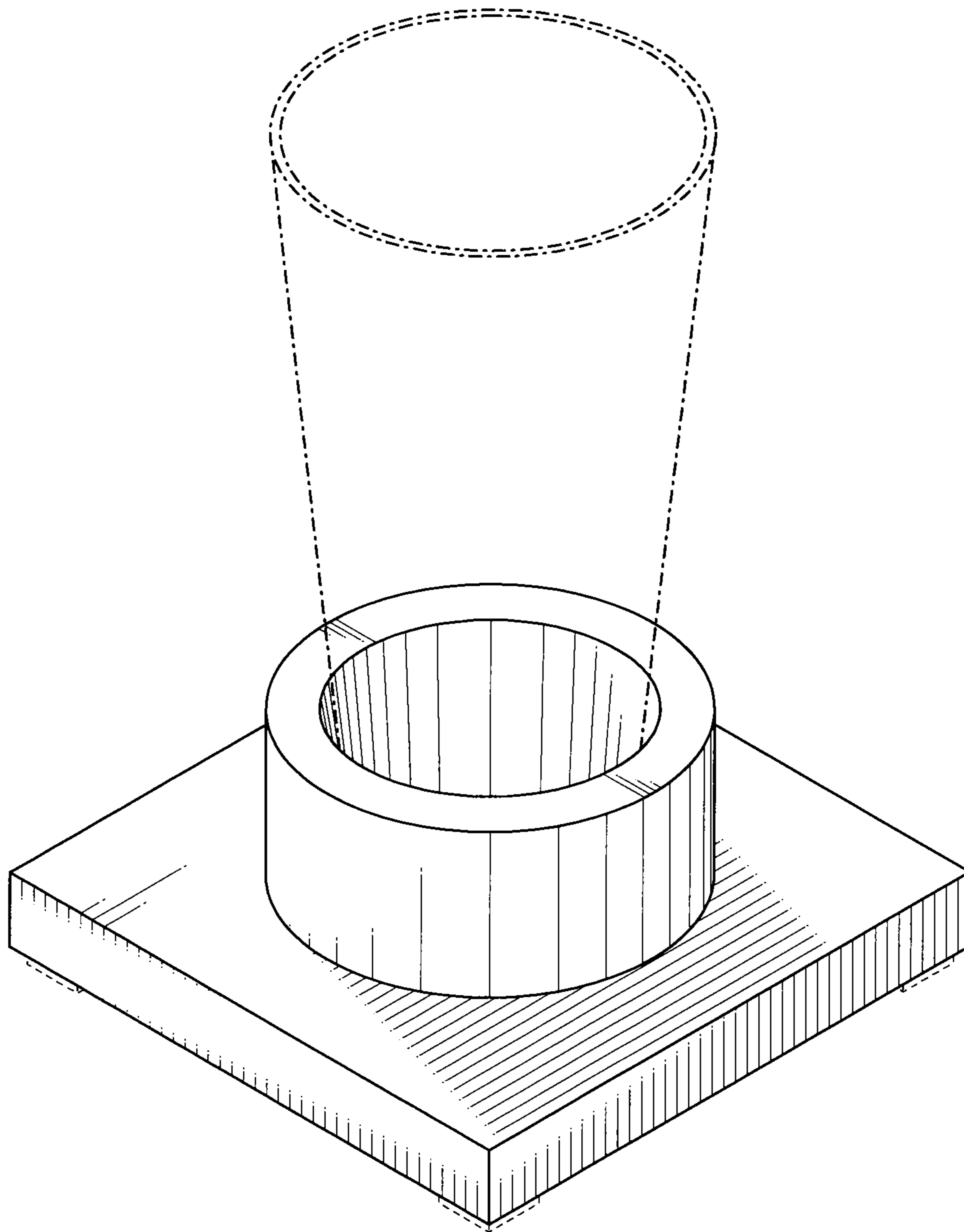


FIG. 1

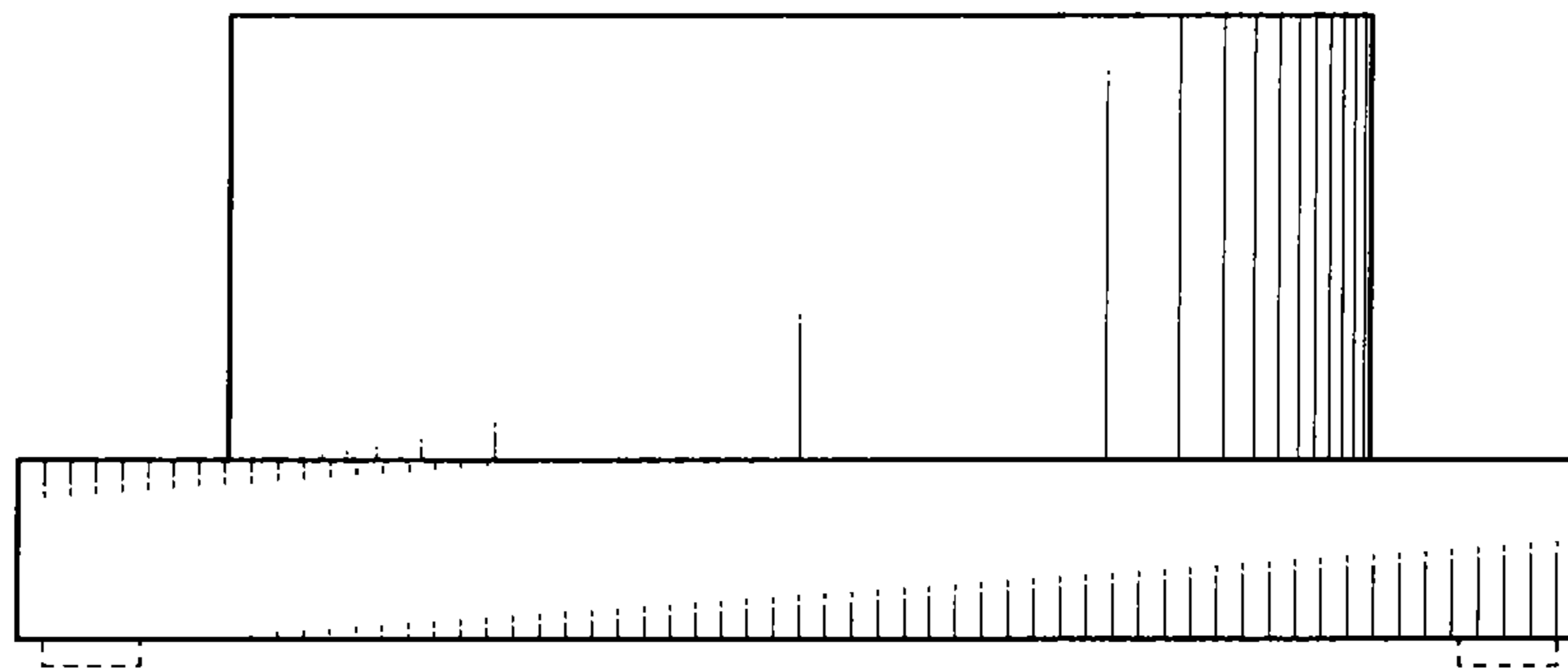


FIG. 2

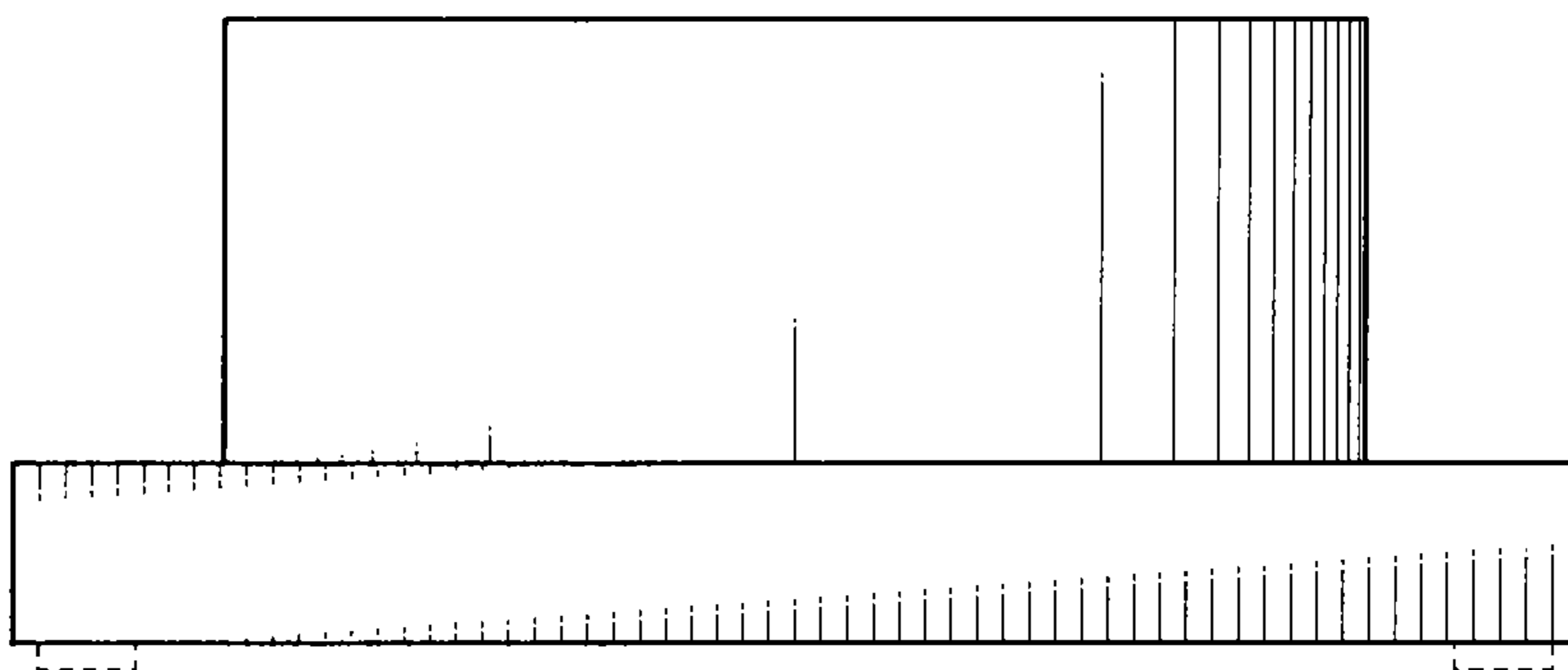


FIG. 3

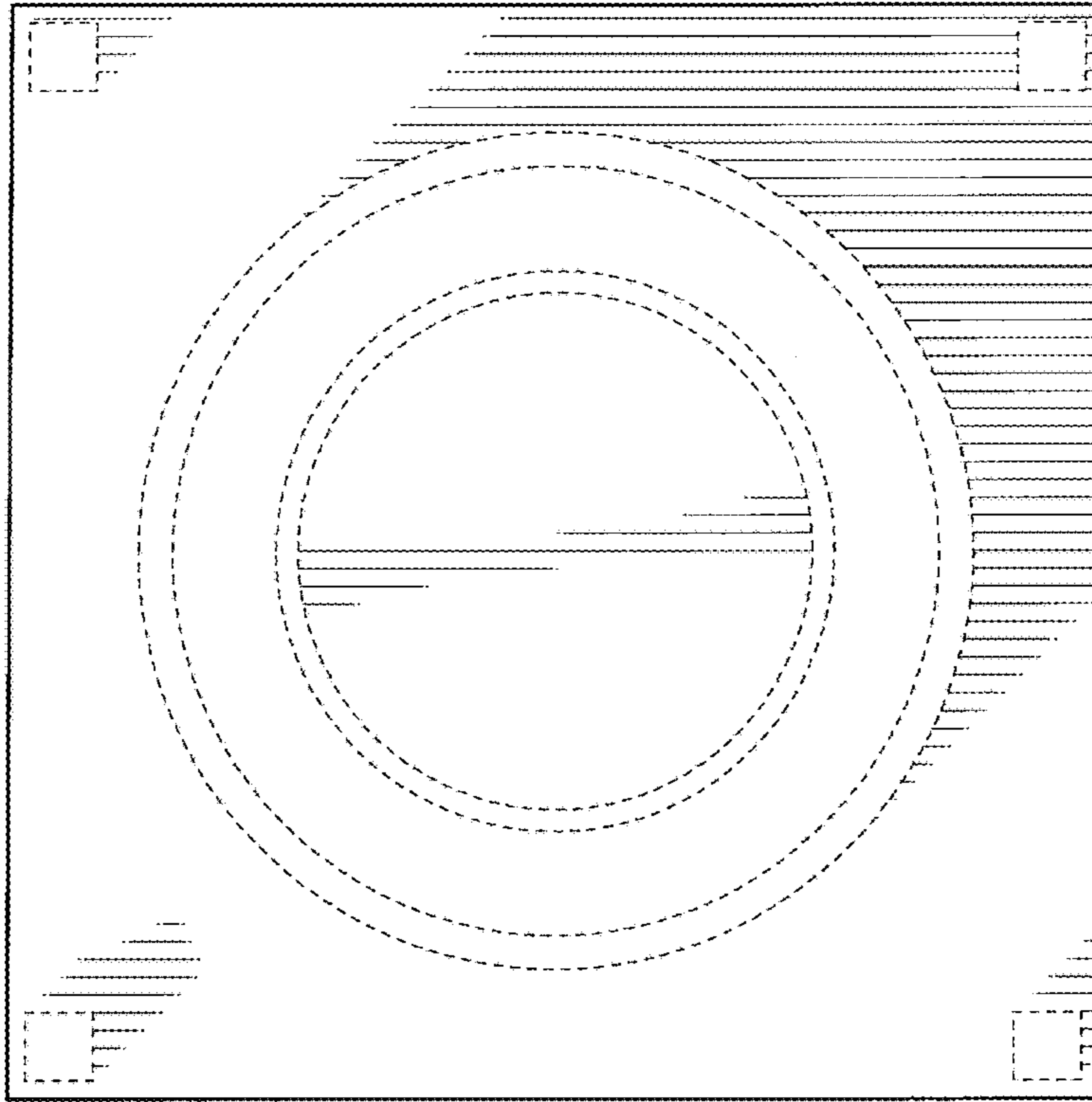


FIG. 5

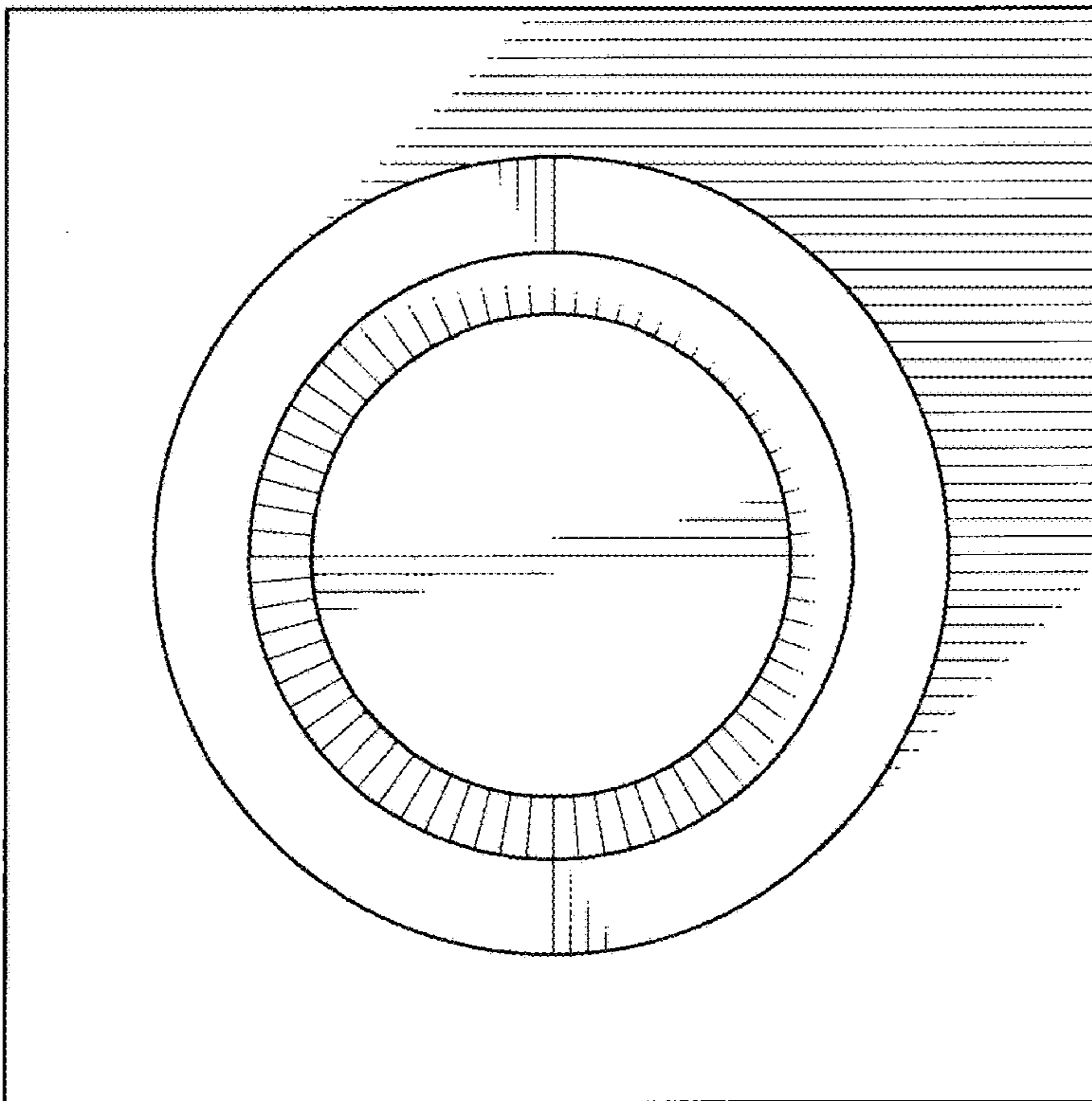


FIG. 4

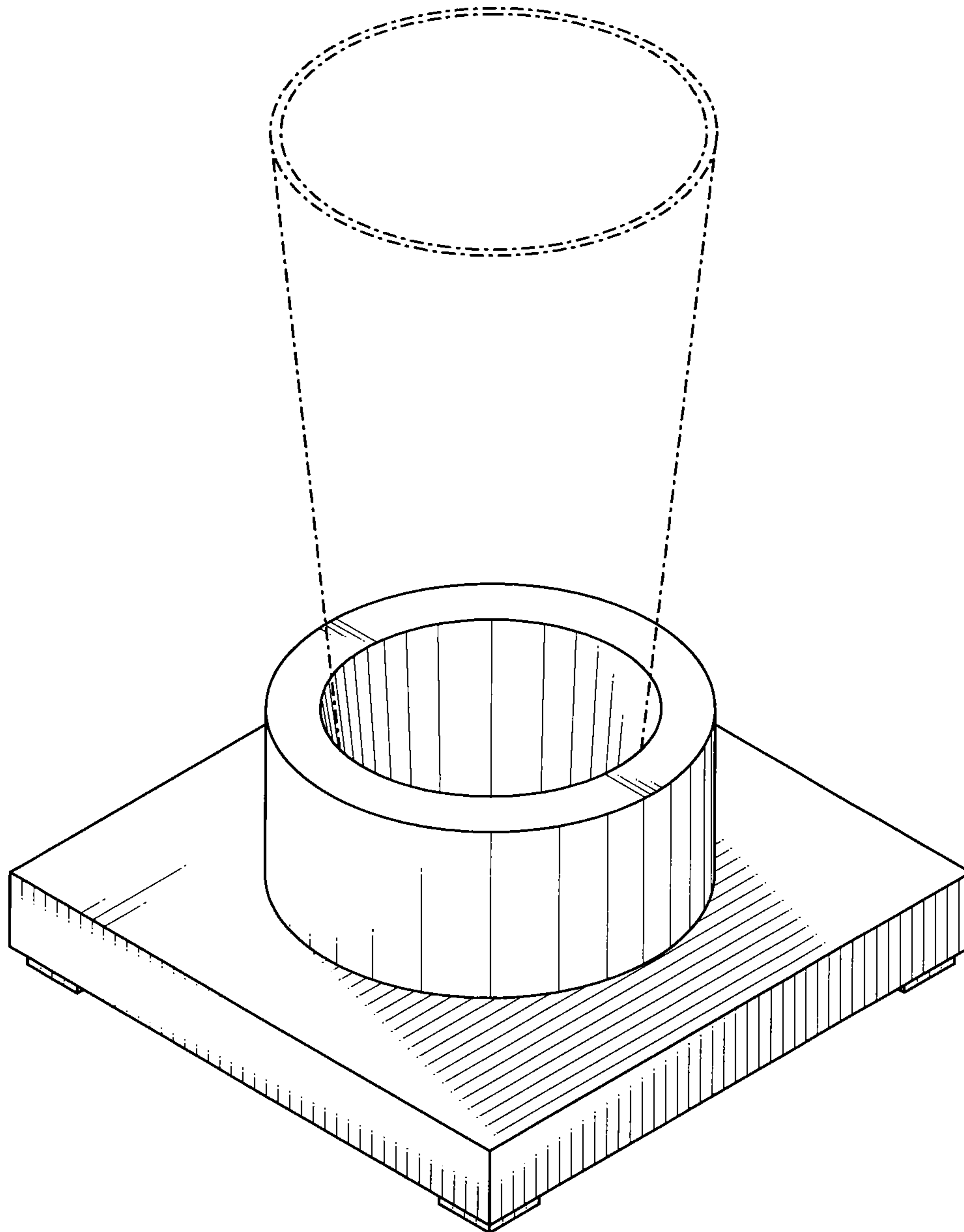


FIG. 6

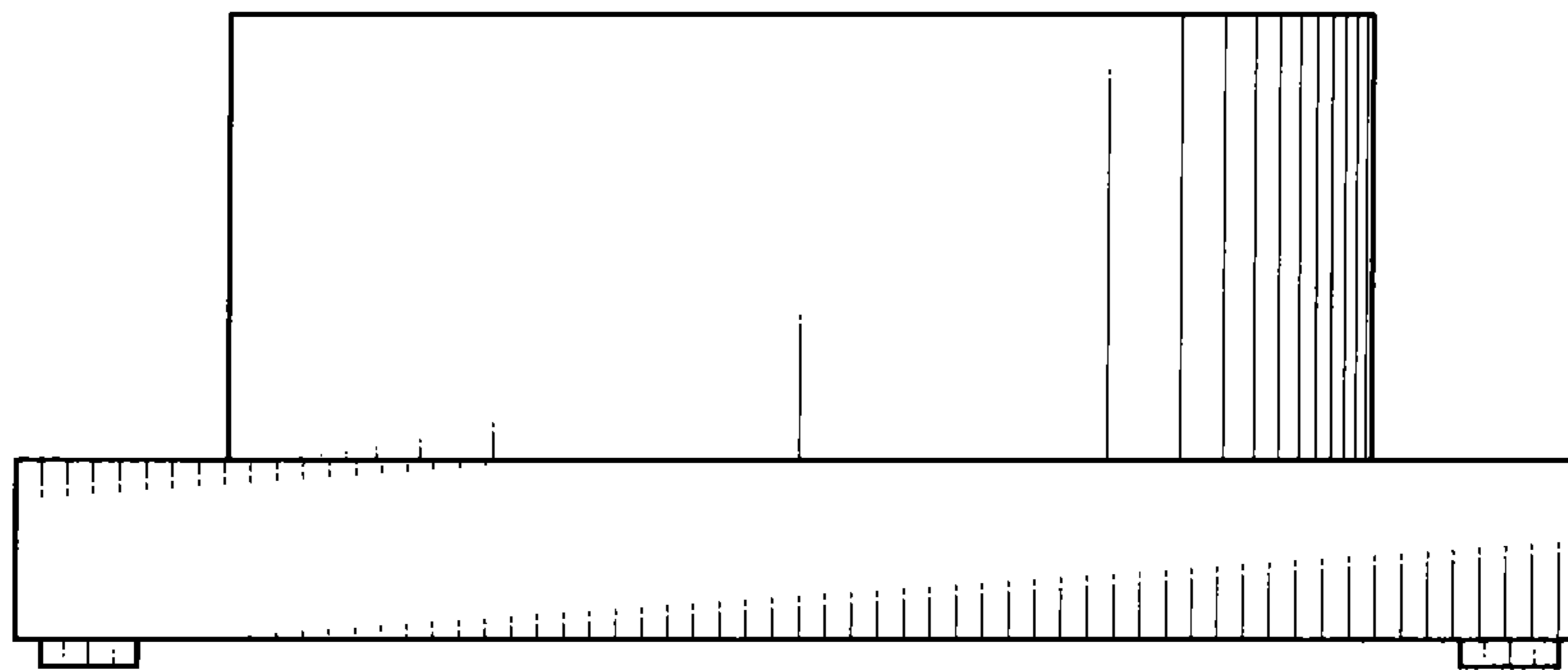


FIG. 7

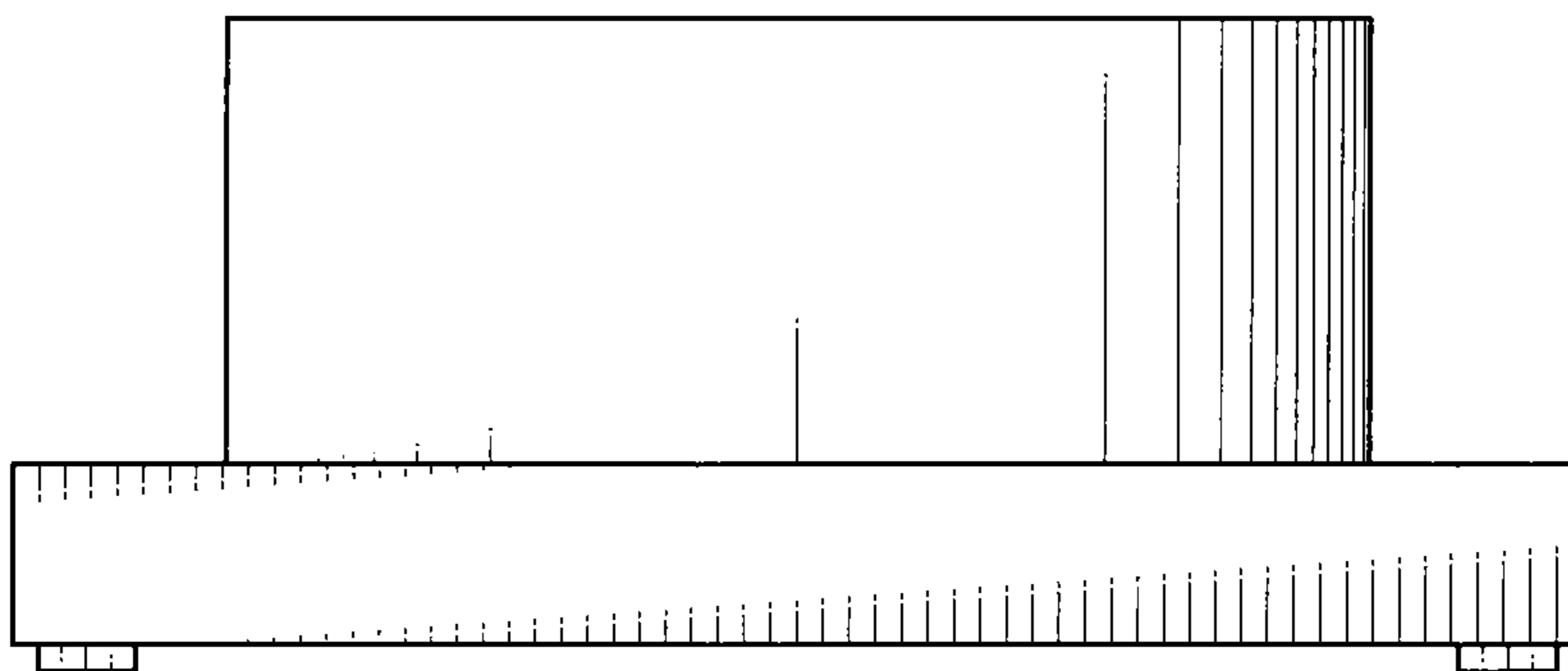


FIG. 8



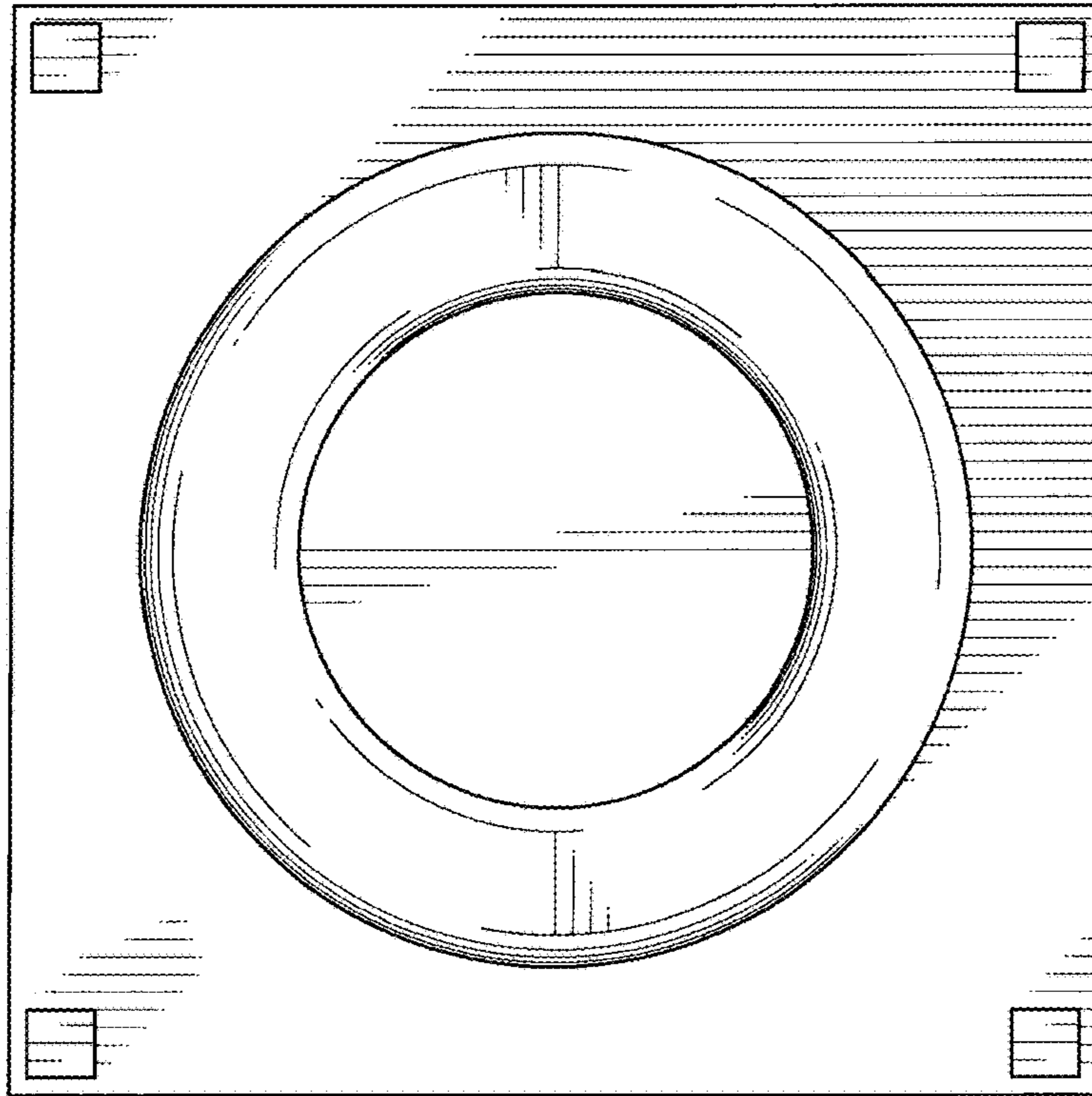


FIG. 10

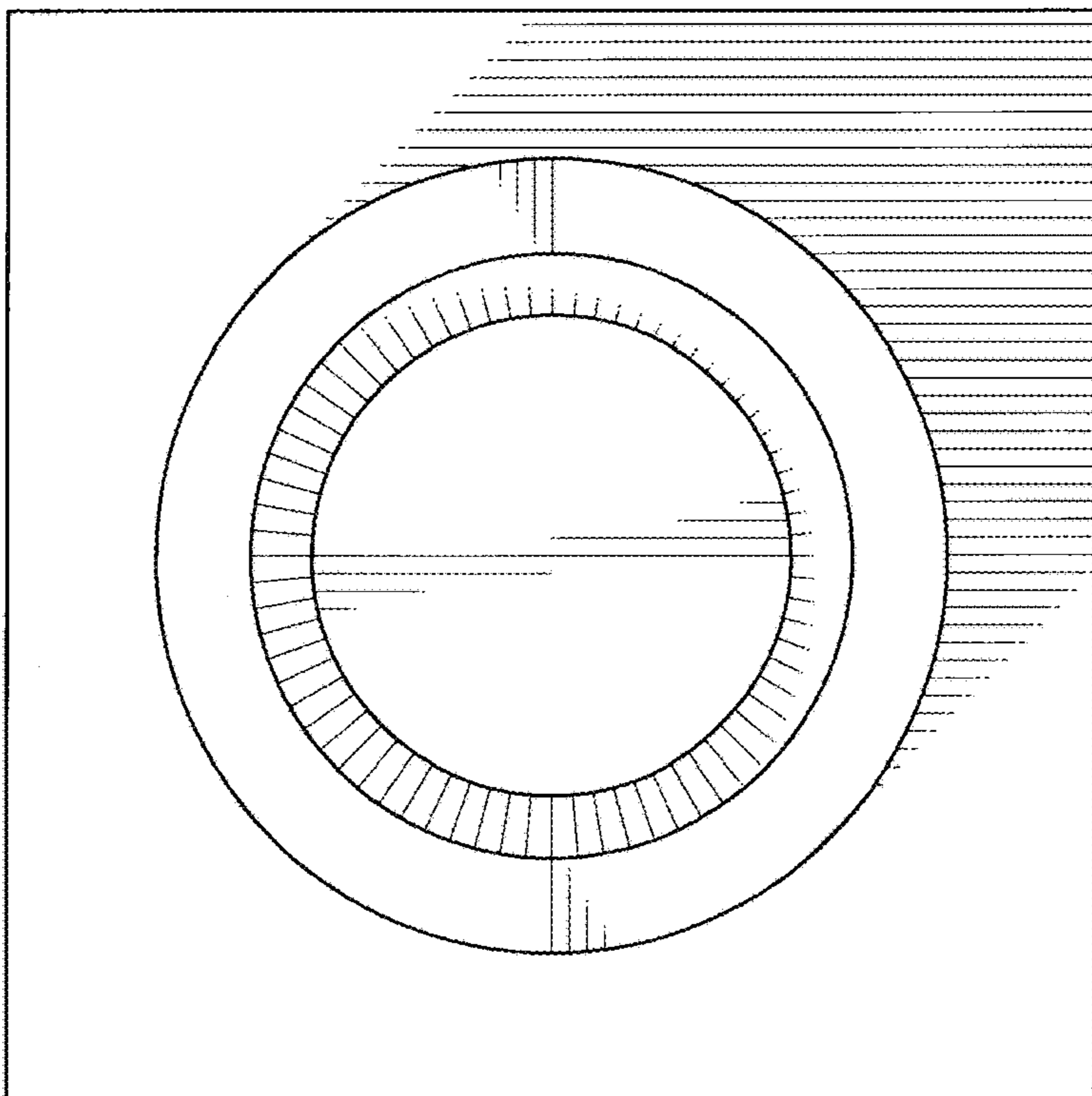


FIG. 9



UNITED STATES PATENT AND TRADEMARK OFFICE  
**CERTIFICATE OF CORRECTION**

PATENT NO. : D823,071 S  
APPLICATION NO. : 29/579475  
DATED : July 17, 2018  
INVENTOR(S) : Nicholas K. Woods

Page 1 of 1

It is certified that error appears in the above-identified patent and that said Letters Patent is hereby corrected as shown below:

On the Title Page

Under "Description":

Delete "The broken lines shown in FIGS. 1-3 and 5-6 are for purposes of illustrating environment only and form no part of the claimed design."

And replace with -- The cup is shown in broken lines for illustrative purposes only and forms no part of the claimed design. The remaining broken lines in all the views are unclaimed subject matter of the claimed design. --

Signed and Sealed this  
Eleventh Day of September, 2018



Andrei Iancu  
*Director of the United States Patent and Trademark Office*