

US00D823070S

(12) **United States Design Patent**
Boroski

(10) **Patent No.:** **US D823,070 S**

(45) **Date of Patent:** **** Jul. 17, 2018**

(54) **CONTAINER WITH LID**

(71) Applicant: **THERMOS L.L.C.**, Schaumburg, IL
(US)

(72) Inventor: **Dwayne Boroski**, Lake in the Hills, IL
(US)

(73) Assignee: **THERMOS L.L.C.**, Schaumburg, IL
(US)

(**) Term: **15 Years**

(21) Appl. No.: **29/624,250**

(22) Filed: **Oct. 31, 2017**

Related U.S. Application Data

(63) Continuation of application No. 29/556,411, filed on
Mar. 1, 2016, now Pat. No. Des. 803,633.

(51) **LOC (11) Cl.** **07-01**

(52) **U.S. Cl.**
USPC **D7/608**

(58) **Field of Classification Search**
USPC D7/603-608, 619.1-625, 701-708,
D7/509-511; D9/455

CPC A47G 23/0216; A47G 23/0258; F17C
13/001; F25D 3/08; F25D 3/12; F25D
3/14; F25D 2331/804; B65D 81/3886;
B65D 81/3818; B65D 81/3846; B65D
1/0215; A47J 42/02; A47J 41/0077; A47J
41/02; A47J 41/022; A47J 41/024; A47J
41/028; A47J 41/00

See application file for complete search history.

(56) **References Cited**

U.S. PATENT DOCUMENTS

1,927,553 A 12/1932 Lusher
5,329,778 A 7/1994 Padamsee

6,119,888 A 9/2000 Goto et al.
D432,367 S 10/2000 Segura
D455,052 S 4/2002 Gullickson et al.
D455,612 S 4/2002 Gullickson et al.
6,530,496 B2 3/2003 Moran
D479,785 S 9/2003 Schuler
6,626,326 B2 9/2003 Murakami
D497,778 S 11/2004 Rich
D503,589 S 4/2005 Schuler
D530,161 S 10/2006 Carreno et al.
D587,534 S 3/2009 Carreno
7,614,516 B2 11/2009 Beggins
D629,691 S * 12/2010 Cresswell D9/500
D630,062 S * 1/2011 Carreno D7/608
D660,084 S * 5/2012 Gilbert D7/510

* cited by examiner

Primary Examiner — Terry A Wallace

(74) *Attorney, Agent, or Firm* — Polsinelli PC

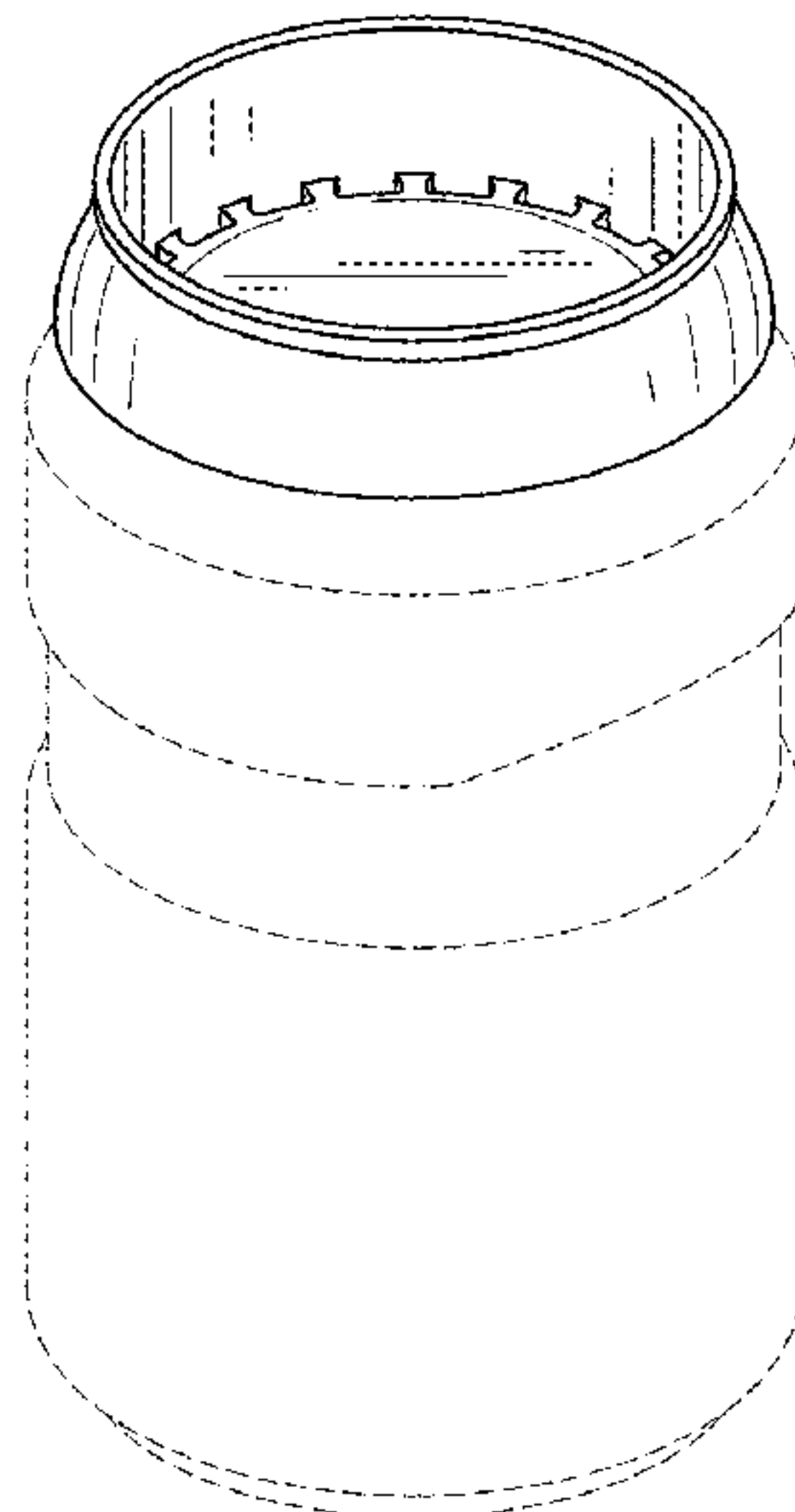
(57) **CLAIM**

The ornamental design for a container with lid, as shown and described.

DESCRIPTION

FIG. 1 is a perspective view of the container with lid;
FIG. 2 is a front view of the container with lid;
FIG. 3 is a left side view of the container with lid;
FIG. 4 is a right side view of the container with lid;
FIG. 5 is a rear view of the container with lid;
FIG. 6 is a top view of the container with lid; and,
FIG. 7 is a bottom view of the container with lid.
The broken lines showing in the figures are included for the purpose of illustrating portions of the container with lid that form no part of the claimed design.

1 Claim, 4 Drawing Sheets



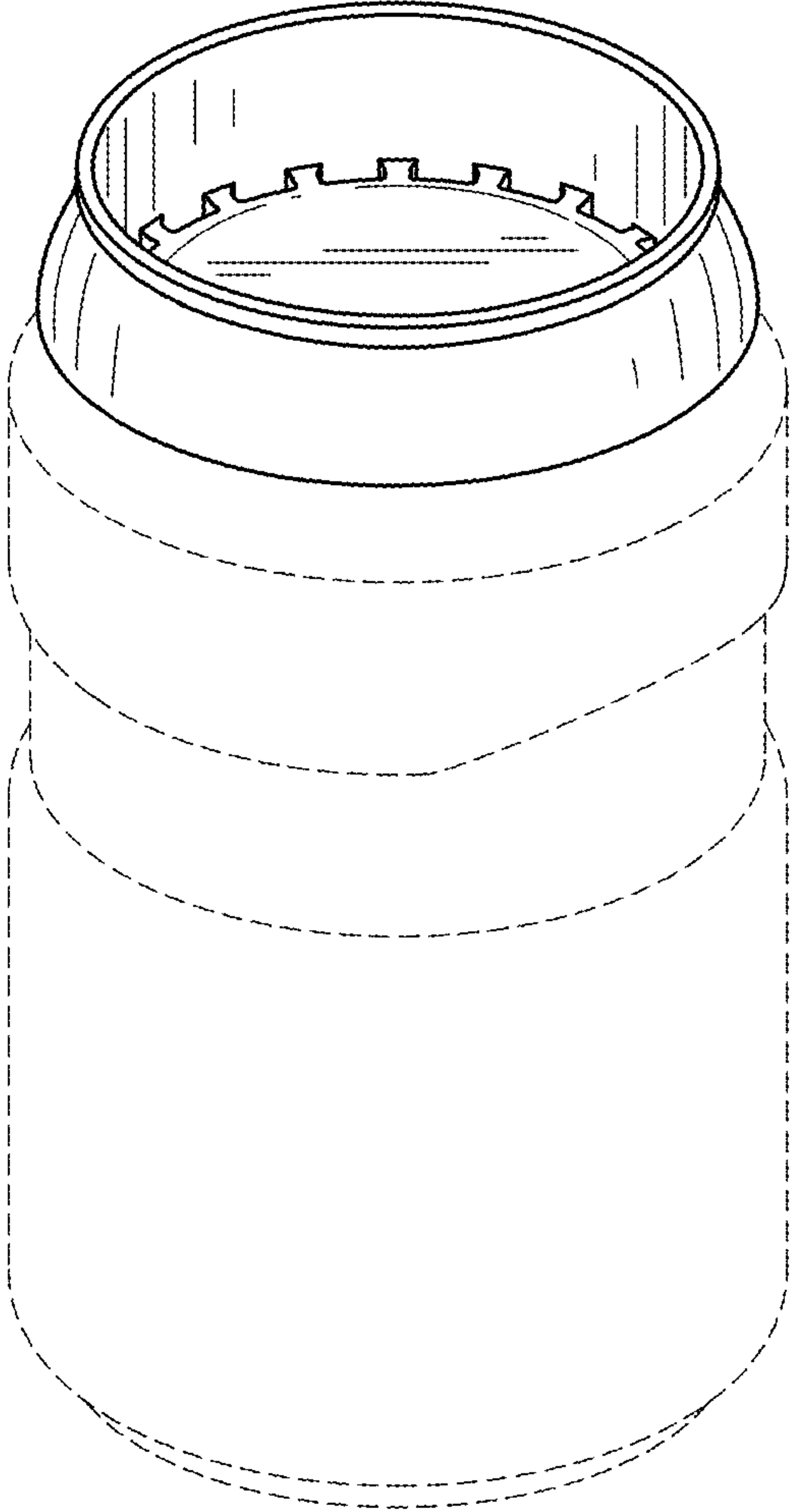


FIG. 1

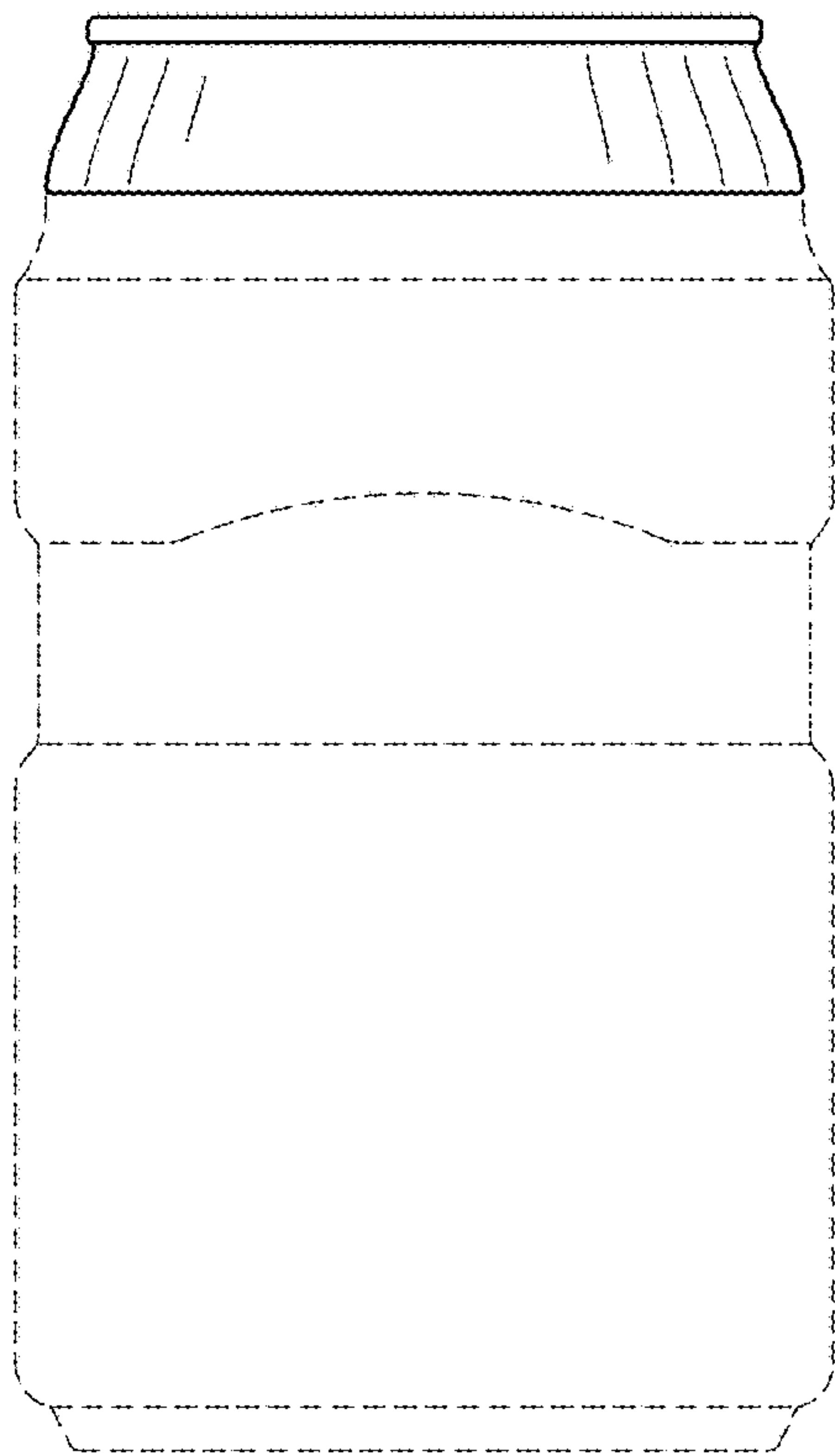


FIG. 2

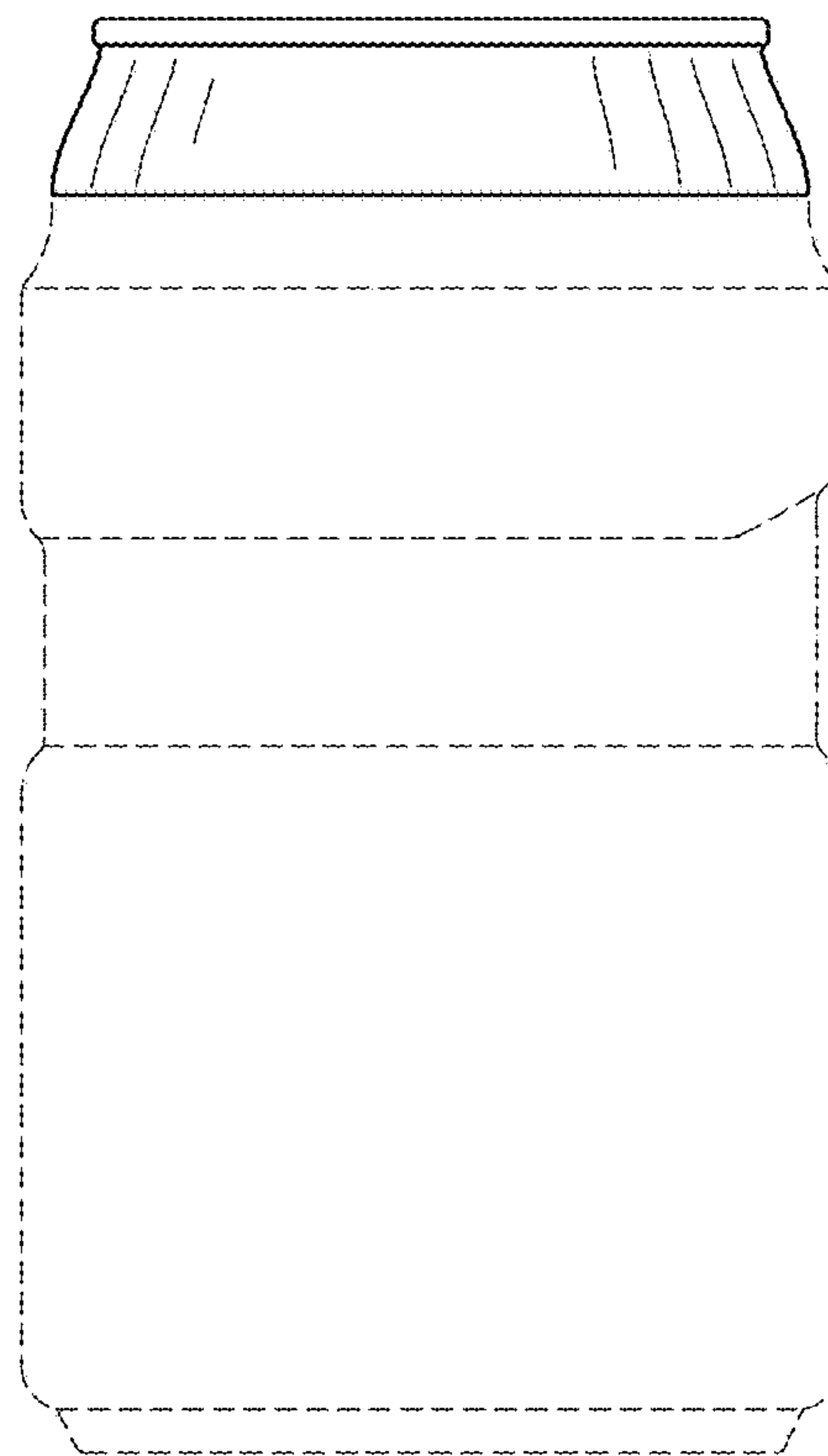


FIG. 3

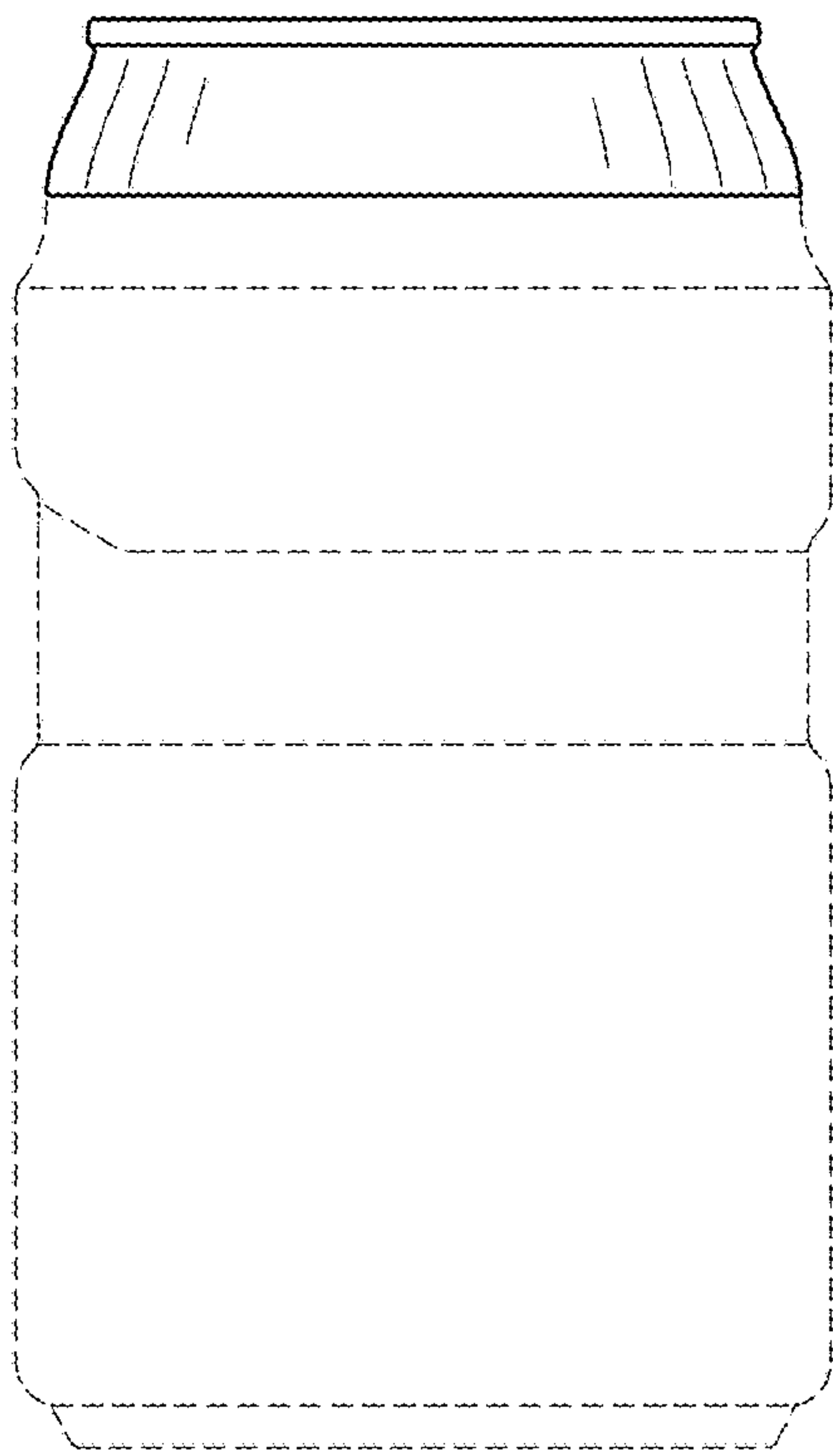


FIG. 4

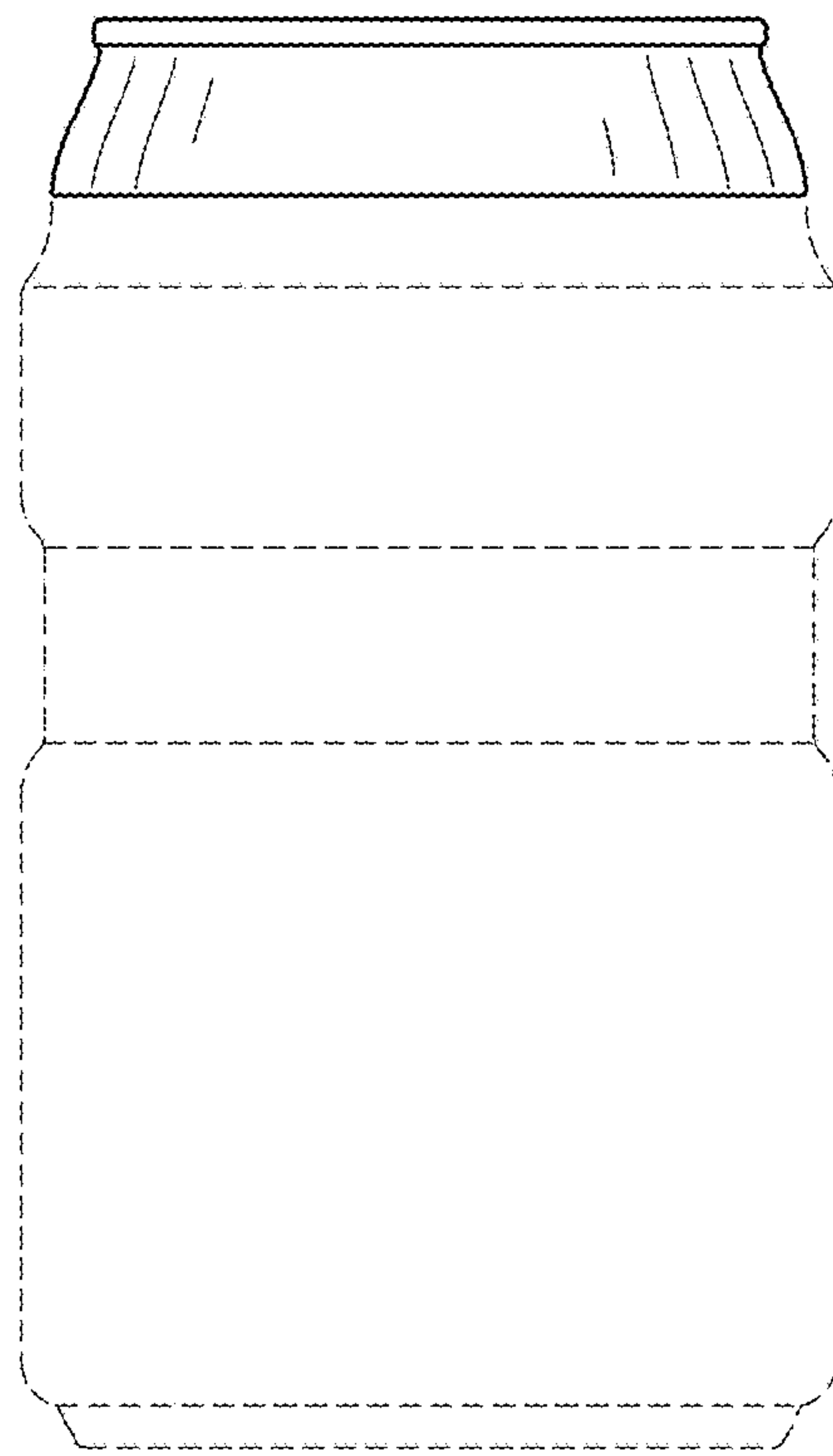


FIG. 5

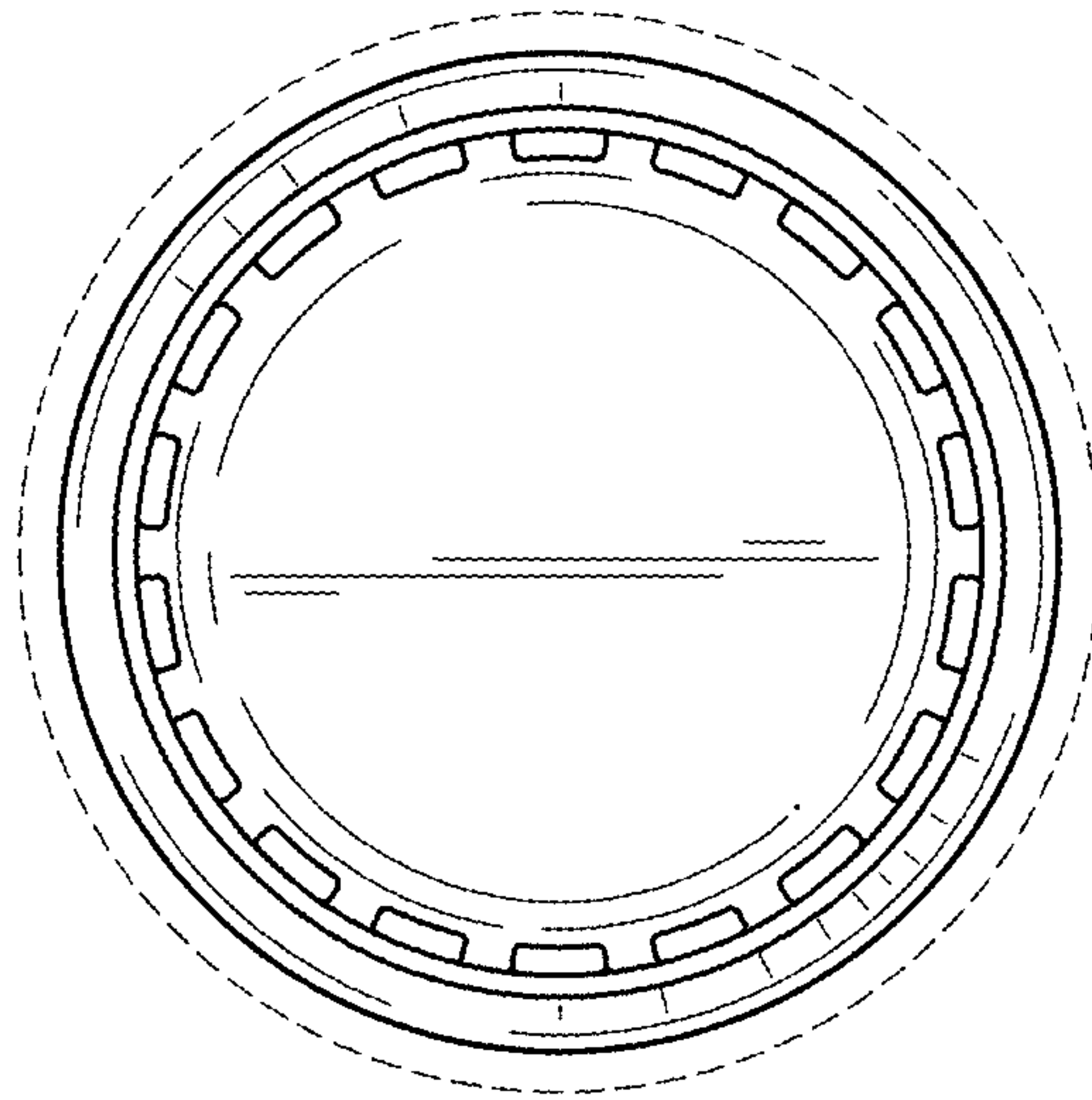


FIG. 6

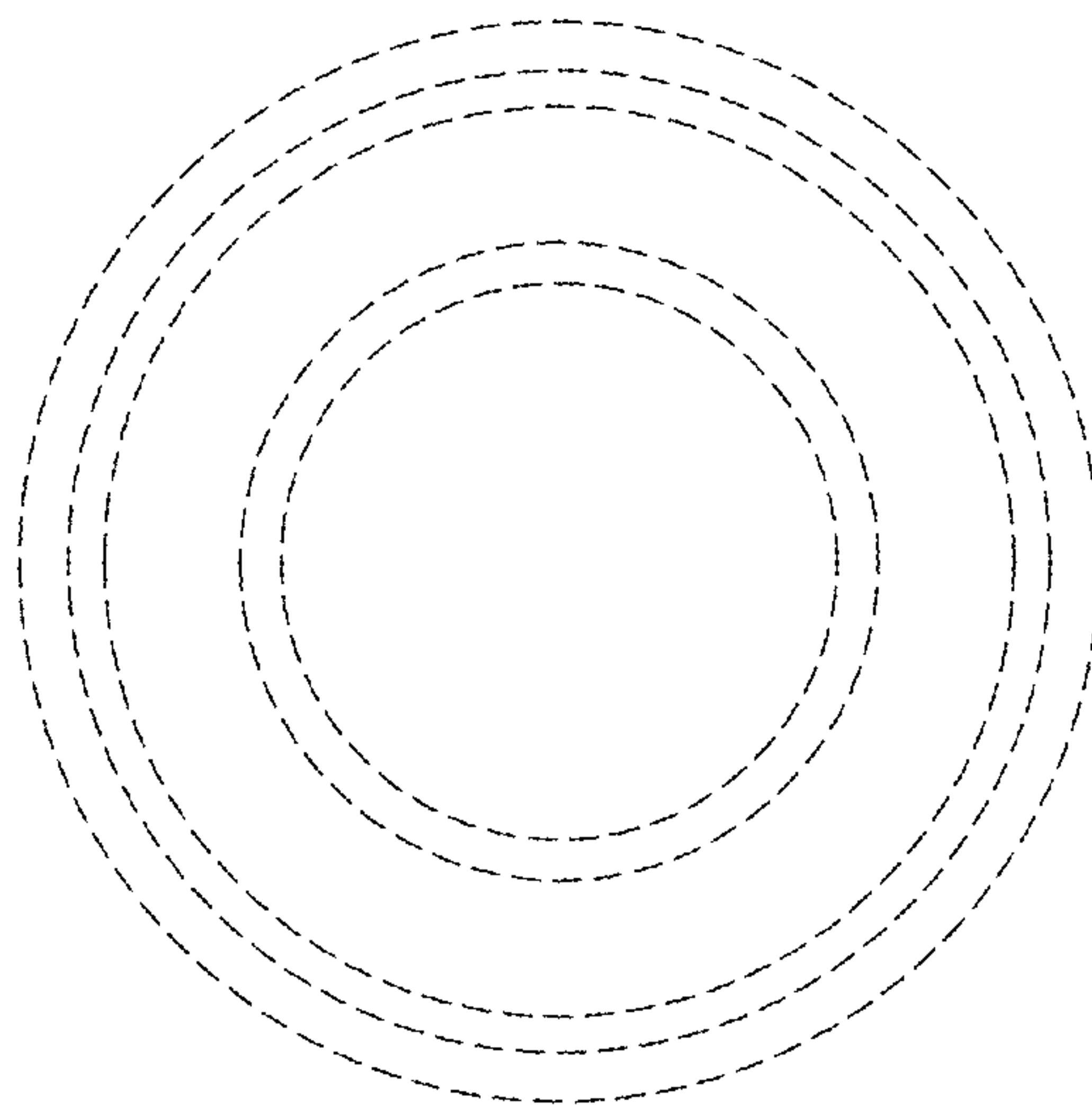


FIG. 7