



US00D823067S

(12) **United States Design Patent** (10) **Patent No.:** **US D823,067 S**
Bradley (45) **Date of Patent:** **** Jul. 17, 2018**

(54) **COOLER**

(71) Applicant: **SWELL INDUSTRIES LLC**,
Honolulu, HI (US)
(72) Inventor: **Todd Bradley**, Honolulu, HI (US)
(73) Assignee: **Swell Industries LLC**, Honolulu, HI
(US)

(**) Term: **15 Years**

(21) Appl. No.: **29/585,191**

(22) Filed: **Nov. 21, 2016**

(51) **LOC (11) Cl.** **07-01**

(52) **U.S. Cl.**
USPC **D7/607**

(58) **Field of Classification Search**
USPC D7/603-608; D3/201, 232, 233, 273,
D3/291
CPC A45C 3/04; A45C 7/004; A45C 13/008;
A45C 13/103; A45C 13/26; A45C 13/36;
A45C 11/20; B60Q 7/005; B65D
81/3897; B65D 81/38; B65D 81/3848;
B65D 81/3858; B65D 81/3823; B65D
81/3888; B65D 31/04; B65D 31/08;
F25D 3/08; F25D 3/14; F25D 2331/804;
A44B 19/301

See application file for complete search history.

(56) **References Cited**

U.S. PATENT DOCUMENTS

2,457,422 A * 12/1948 Warner A45C 3/04
383/10
D324,977 S * 3/1992 Rosson D3/232

* cited by examiner

Primary Examiner — Terry A Wallace

(74) *Attorney, Agent, or Firm* — McCoy Russell LLP

(57) **CLAIM**

The ornamental design for a cooler, as shown and described.

DESCRIPTION

FIG. 1 is a right, front perspective view of a cooler showing my new design.

FIG. 2 is a top plan view thereof.

FIG. 3 is a front view thereof.

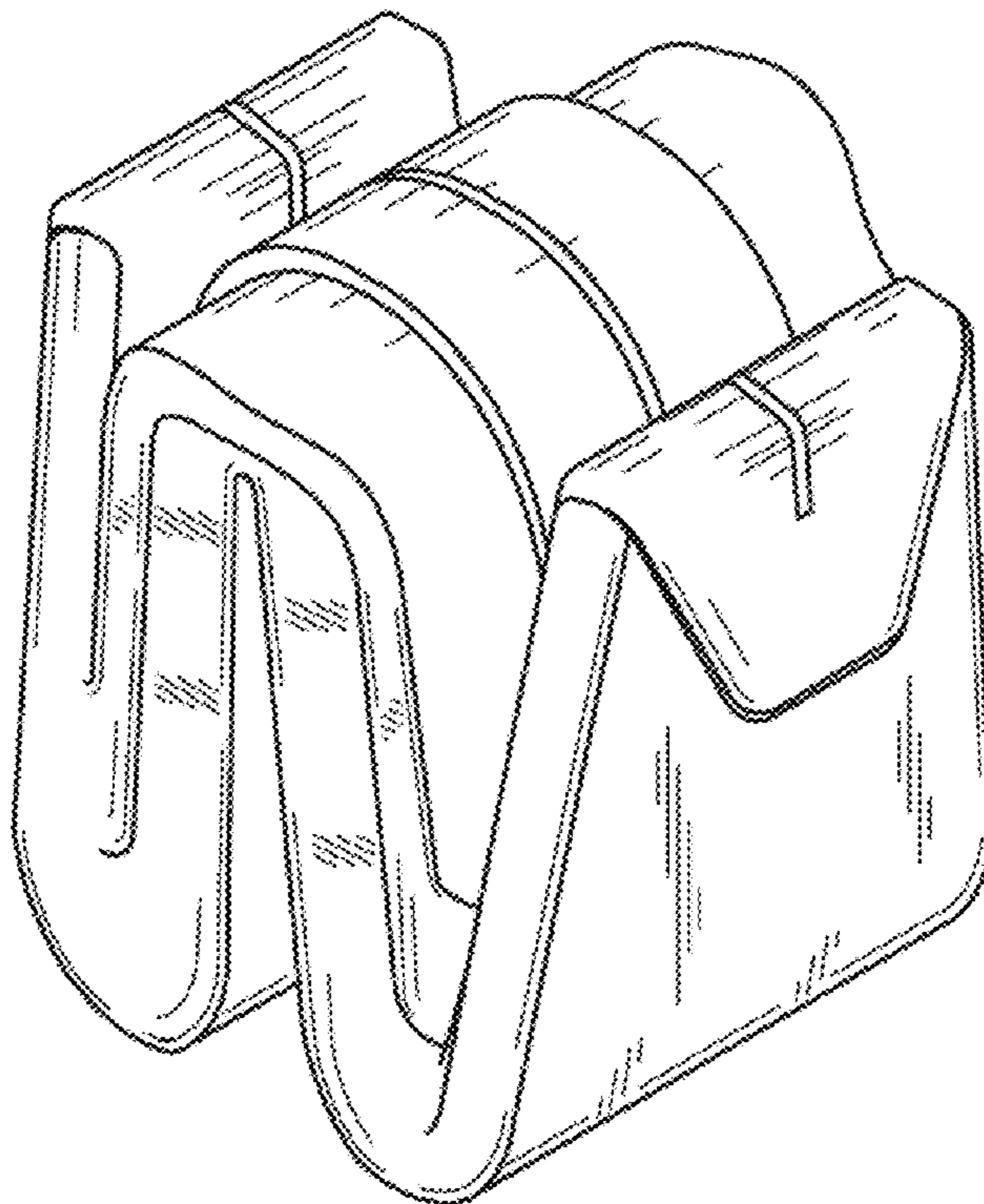
FIG. 4 is a rear view thereof.

FIG. 5 is a bottom plan view thereof.

FIG. 6 is a right side view thereof; and,

FIG. 7 is a left side view thereof.

1 Claim, 4 Drawing Sheets



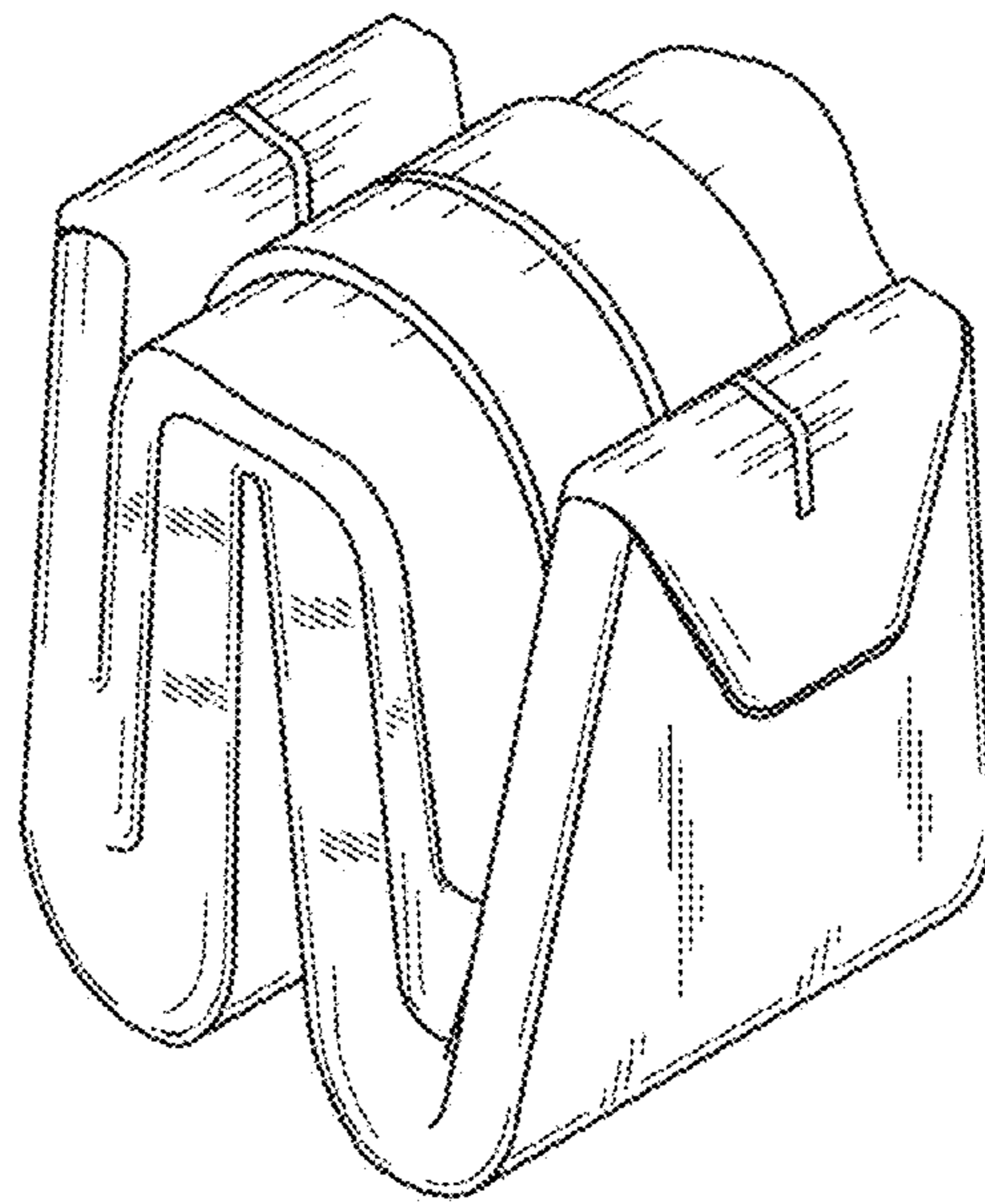


FIG. 1

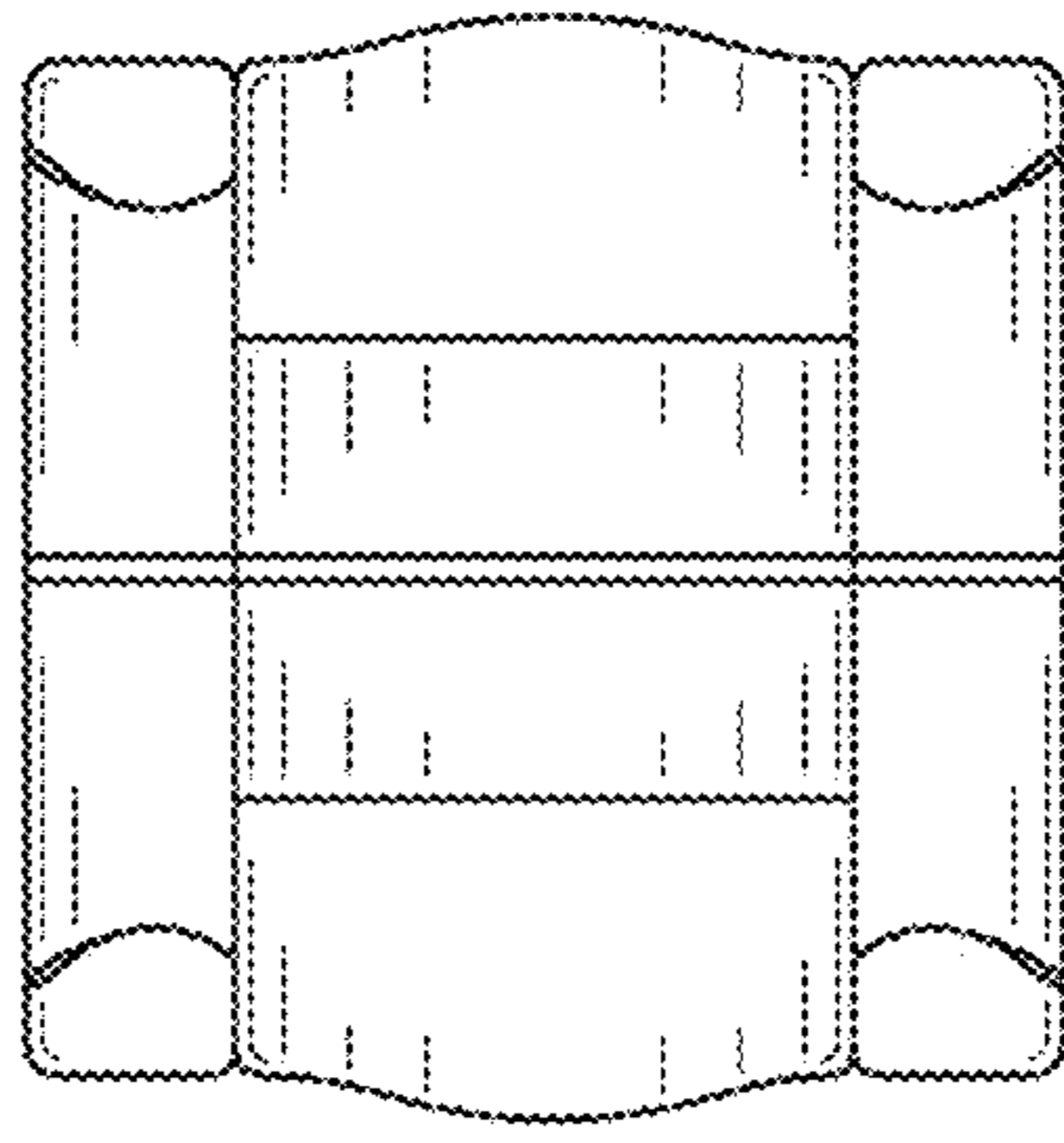


FIG. 2

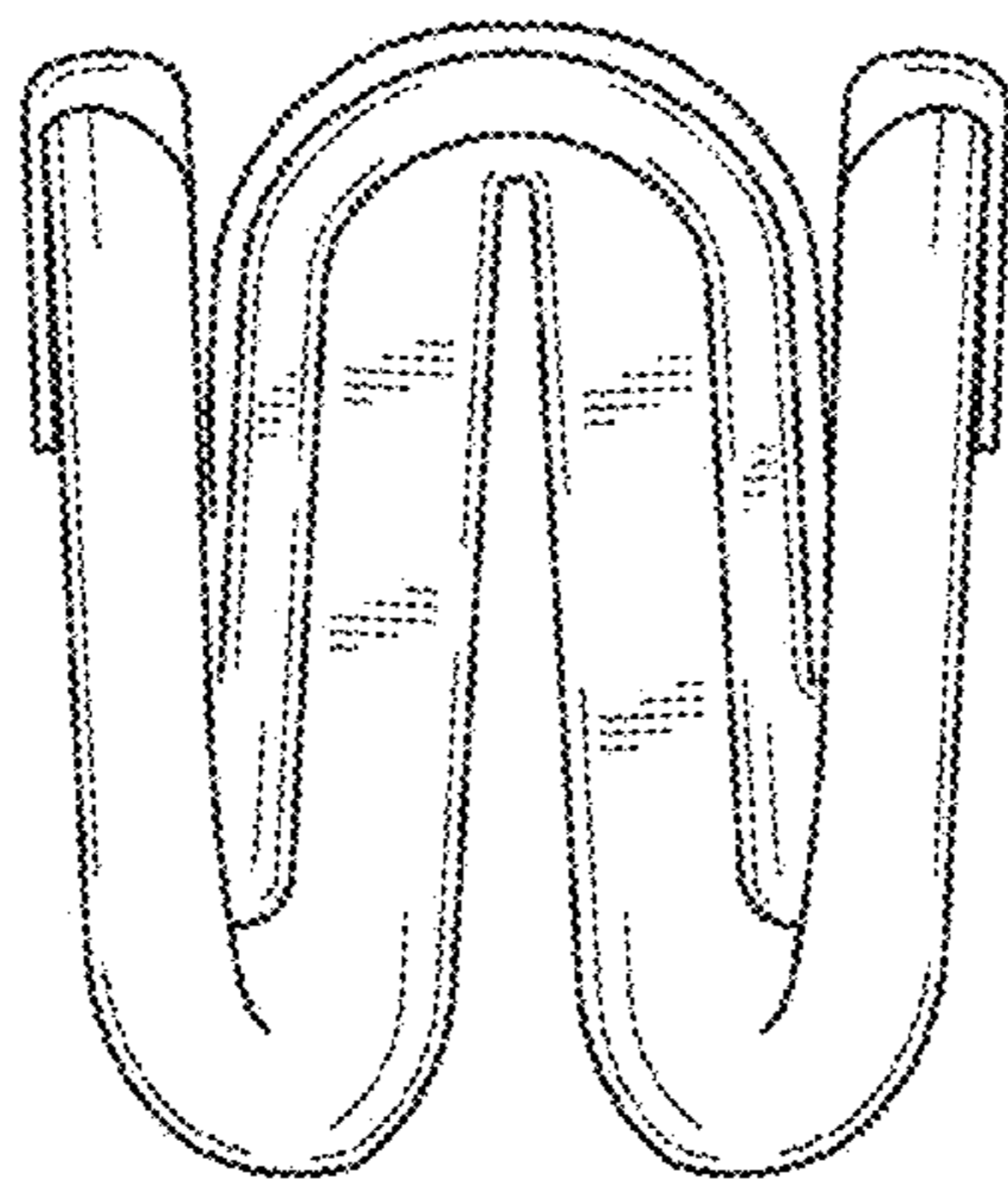


FIG. 3

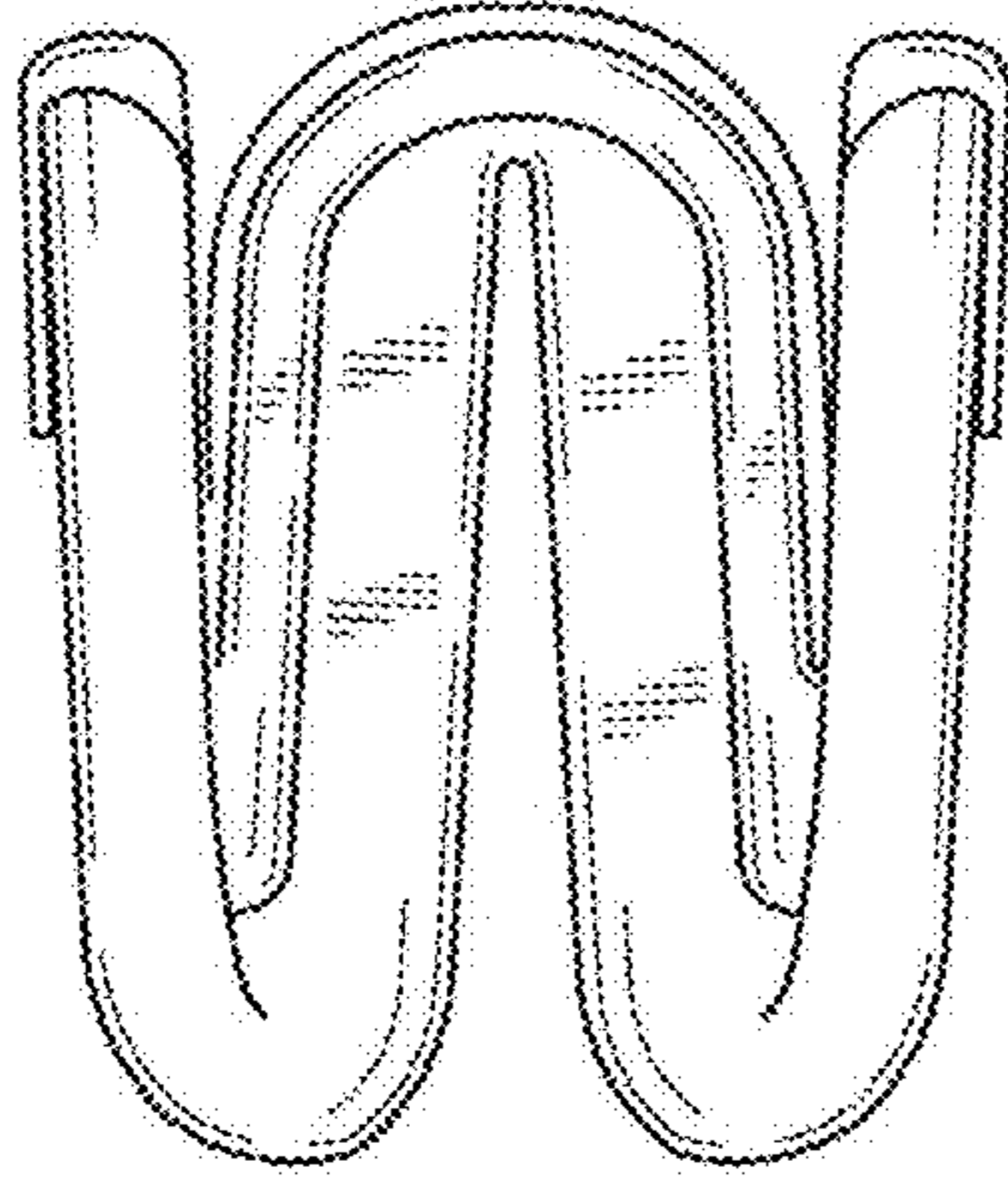


FIG. 4

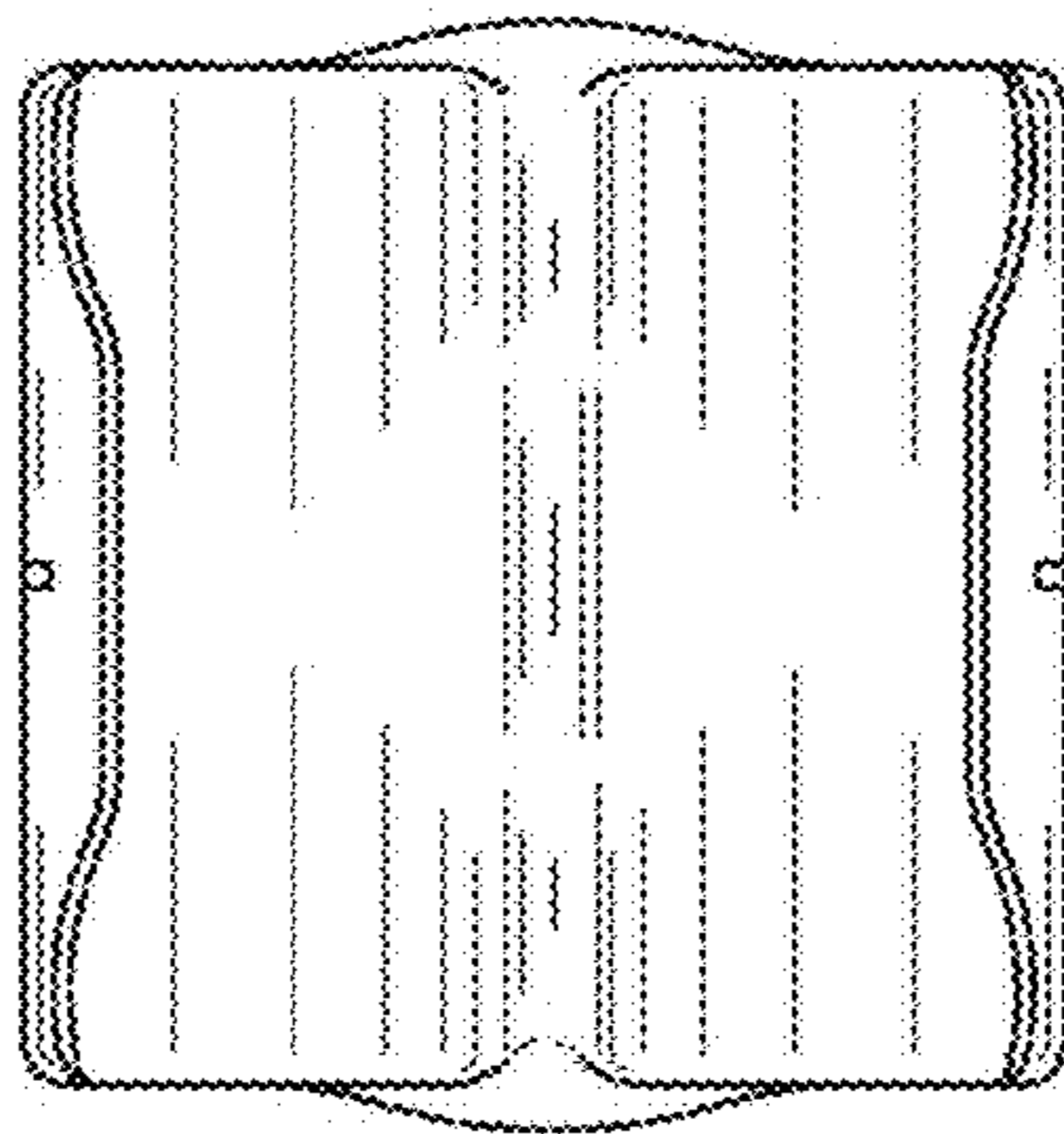


FIG. 5

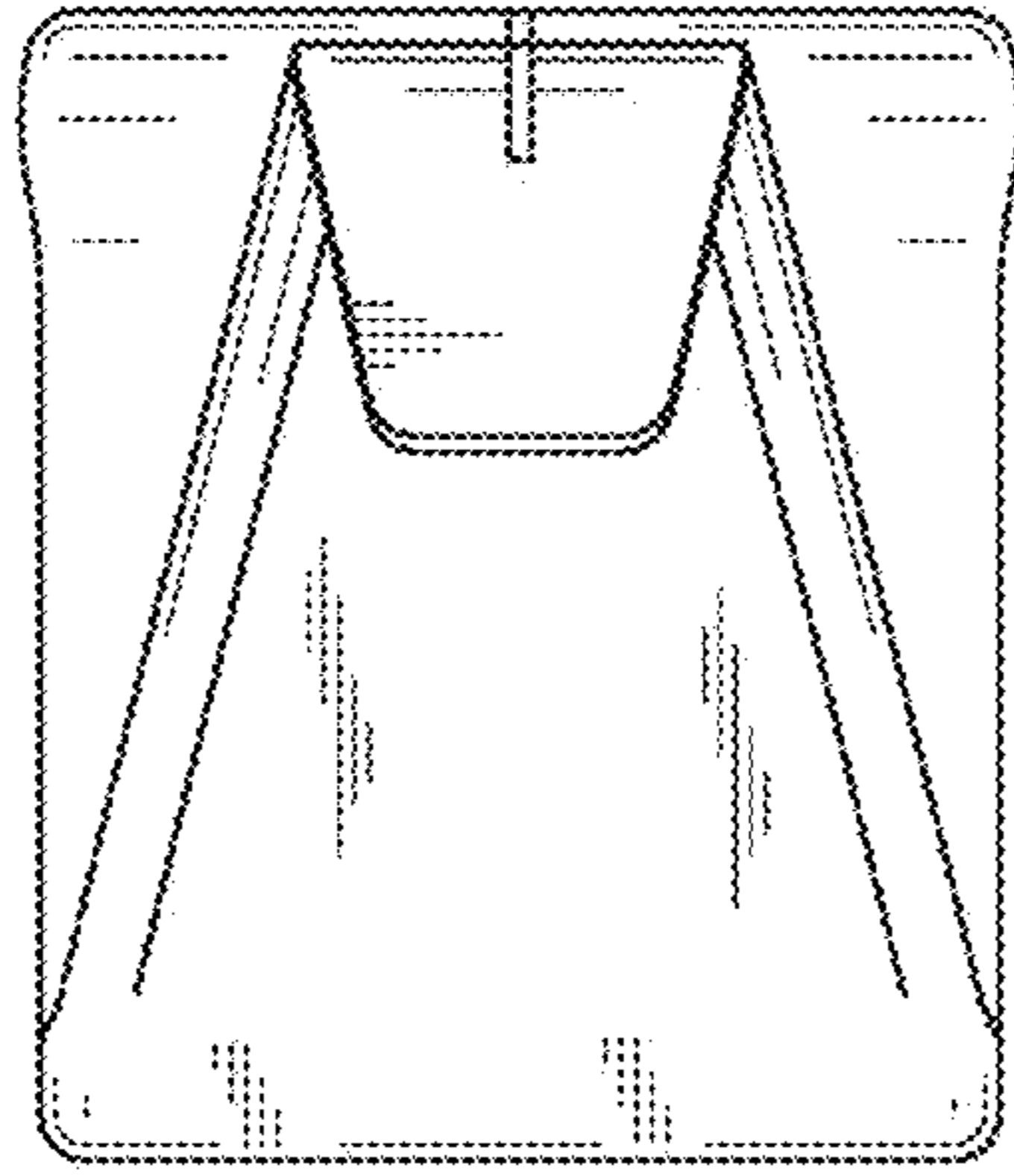


FIG. 6

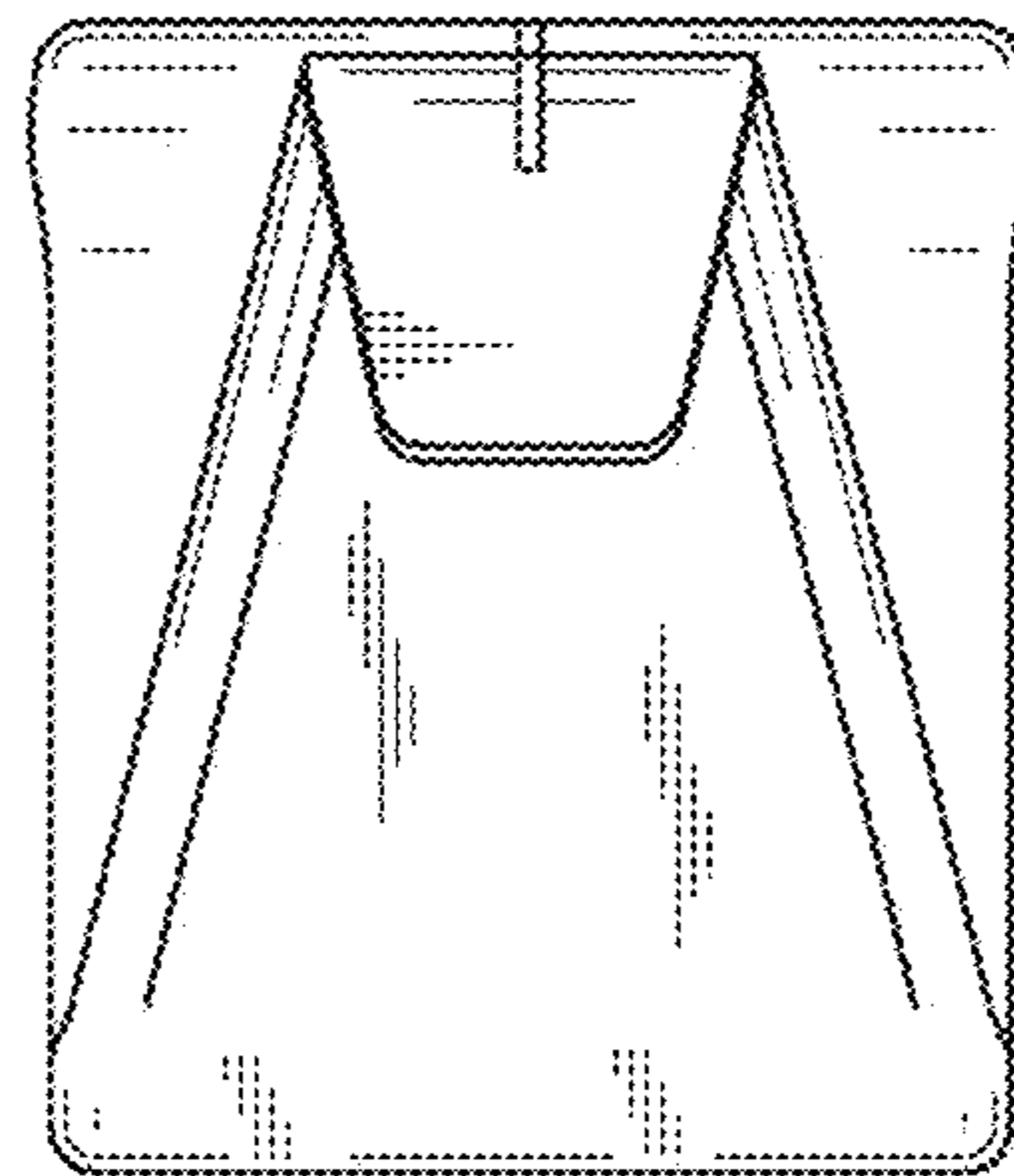


FIG. 7