



US00D823065S

(12) **United States Design Patent**
Eichinger et al.

(10) **Patent No.: US D823,065 S**
(45) **Date of Patent: ** *Jul. 17, 2018**

(54) **COOLER**

(71) Applicant: **Otter Products, LLC**, Fort Collins, CO (US)

(72) Inventors: **Todd Eichinger**, Fort Collins, CO (US); **Curtis R. Richardson**, Fort Collins, CO (US); **Jonathan B. Rayeski**, Fort Collins, CO (US); **Alan V. Morine**, Fort Collins, CO (US)

(73) Assignee: **Otter Products, LLC**, Fort Collins, CO (US)

(*) Notice: This patent is subject to a terminal disclaimer.

(**) Term: **15 Years**

(21) Appl. No.: **29/597,954**

(22) Filed: **Mar. 21, 2017**

(51) **LOC (11) Cl.** **07-01**

(52) **U.S. Cl.**
USPC **D7/605**

(58) **Field of Classification Search**
USPC D7/605, 607, 608, 630, 629; D3/273, D3/276, 279, 282, 284, 289, 902, 901, D3/274
CPC B65D 81/3813; B65D 81/3823; B65D 81/3888; B65D 81/3816; A45C 11/20
See application file for complete search history.

(56) **References Cited**

U.S. PATENT DOCUMENTS

2,627,993 A 2/1953 Hafner
3,395,550 A 8/1968 Dungan
3,868,829 A 3/1975 Kemper
D275,822 S * 10/1984 Gatland D3/282

4,515,421 A 5/1985 Steffes
RE32,740 E 8/1988 Steffes
4,964,528 A 10/1990 Wagoner
5,052,185 A 10/1991 Spahr
D325,323 S * 4/1992 Kahl D7/605
(Continued)

FOREIGN PATENT DOCUMENTS

WO 2004029526 A1 4/2004
WO 2006007266 A2 1/2006
(Continued)

OTHER PUBLICATIONS

The Cooler Box, “*Cordova Coolers vs Yeti—Is This New Cooler Better Than Yeti?*”, Published Oct. 24, 2016. (<http://thecoolerbox.com/cordova-coolers-vs-yeti/>).
(Continued)

Primary Examiner — Jennifer Rivard
Assistant Examiner — April Rivas

(57) **CLAIM**

The ornamental design for a cooler, as shown and described.

DESCRIPTION

FIG. 1 is a front isometric view of a cooler showing our new design;
FIG. 2 is a rear isometric view thereof;
FIG. 3 is a front view thereof shown on an enlarged scale;
FIG. 4 is a rear view thereof shown on an enlarged scale;
FIG. 5 is a left view thereof shown on an enlarged scale;
FIG. 6 is a right view thereof shown on an enlarged scale;
FIG. 7 is a top view thereof shown on an enlarged scale; and
FIG. 8 is a bottom view thereof shown on an enlarged scale.
The broken line “otter box” text which forms part of the disclosure is a registered trademark owned by Otter Products, LLC of Fort Collins, Colorado.

1 Claim, 8 Drawing Sheets



(56)

References Cited

U.S. PATENT DOCUMENTS

5,285,656 A 2/1994 Peters
 D354,419 S * 1/1995 Kahl D7/605
 5,816,432 A 10/1998 Hammen et al.
 5,845,515 A * 12/1998 Nelson A45C 11/20
 62/457.7
 D419,297 S * 1/2000 Richardson D3/273
 D419,767 S * 2/2000 Richardson D3/273
 D419,768 S * 2/2000 Richardson D3/273
 6,039,202 A 3/2000 Olstad et al.
 6,185,860 B1 2/2001 Thibodeaux
 6,244,458 B1 6/2001 Frysinger et al.
 D451,765 S * 12/2001 Israel D7/605
 6,328,179 B1 12/2001 Conrado et al.
 D472,384 S * 4/2003 Richardson D3/273
 6,751,963 B2 6/2004 Navedo et al.
 6,895,778 B1 5/2005 Ackerman
 D513,123 S * 12/2005 Richardson D3/273
 D514,808 S * 2/2006 Morine D3/273
 D516,807 S * 3/2006 Richardson D3/273
 7,140,507 B2 11/2006 Maldonado et al.
 7,296,433 B2 11/2007 Uihlein et al.
 8,065,889 B1 11/2011 Silberman
 D712,720 S 9/2014 Seiders
 D712,721 S 9/2014 Seiders
 D712,722 S 9/2014 Seiders
 D712,723 S 9/2014 Seiders
 D714,125 S 9/2014 Seiders
 8,910,819 B2 12/2014 Seiders
 D722,474 S 2/2015 Seiders
 D722,475 S 2/2015 Seiders
 D732,348 S 6/2015 Seiders et al.
 D732,349 S 6/2015 Seiders et al.
 D732,350 S 6/2015 Seiders et al.
 D732,899 S 6/2015 Seiders et al.
 9,139,352 B2 9/2015 Seiders et al.
 9,187,232 B2 11/2015 Seiders
 D752,347 S 3/2016 Seiders et al.
 9,316,428 B2 4/2016 Mech
 9,389,010 B1 7/2016 Booker
 9,446,847 B2 9/2016 Richardson et al.
 9,500,400 B2 11/2016 Smith
 9,834,342 B2 4/2017 Seiders
 D786,559 S 5/2017 Seiders et al.
 D786,560 S 5/2017 Seiders et al.
 D786,561 S 5/2017 Seiders et al.
 D786,562 S 5/2017 Seiders et al.
 D787,187 S 5/2017 Seiders et al.
 D797,454 S 9/2017 Seiders et al.
 D797,455 S 9/2017 Seiders et al.
 D798,670 S 10/2017 Seiders et al.
 D799,276 S 10/2017 Seiders et al.
 D799,277 S 10/2017 Seiders et al.

D799,905 S 10/2017 Seiders et al.
 D801,123 S 10/2017 Seiders et al.
 9,796,517 B2 10/2017 Seiders et al.
 D802,373 S 11/2017 Seiders et al.
 D804,905 S 12/2017 Seiders et al.
 D805,851 S 12/2017 Seiders et al.
 2003/0038138 A1 2/2003 Komurke
 2004/0178208 A1 9/2004 Leba et al.
 2004/0238543 A1 12/2004 Askew
 2004/0262319 A1 12/2004 Fisher
 2005/0263527 A1 12/2005 Maldonado et al.
 2005/0279124 A1 12/2005 Maldonado
 2010/0287976 A1 11/2010 Roof et al.
 2011/0056233 A1 3/2011 Flaker et al.
 2011/0182532 A1 7/2011 Baltus
 2011/0203297 A1 8/2011 Oberweis
 2011/0220531 A1 9/2011 Meether et al.
 2011/0289958 A1 12/2011 White et al.
 2016/0279840 A1 9/2016 French et al.
 2017/0023289 A1 * 1/2017 Anderson F25D 3/08
 2017/0073146 A1 3/2017 Kuhn et al.
 2017/0073147 A1 3/2017 Kuhn
 2017/0305639 A1 10/2017 Kuhn et al.

FOREIGN PATENT DOCUMENTS

WO 2006009537 A1 1/2006
 WO 2016154105 A1 9/2016

OTHER PUBLICATIONS

OtterBox, "Rugged Venture Coolers", Accessed Jan. 16, 2018. (<https://www.otterbox.com/en-us/venture-coolers.html>).*
 Digital Trends, "The new Venture coolers from Otterbox . . .", Posted May 9, 2017. (<https://www.digitaltrends.com/outdoors/otterbox-venture-coolers/>)*
 Pelican Products, "70QT Cooler", Accessed Jan. 16, 2018. (<http://www.pelican.com/us/en/product/outdoor-heavy-duty-coolers/elite-cooler/cooler/70QT/>).*
 Pelican Consumer, Coolers—Hunting, Fishing, Camping, downloaded from <http://www.pelican.com/us/en/products/coolers> May 8, 2017, 2 pages.
 RTIC, Cooler Accessories, downloaded May 8, 2017 from <http://www.rticcoolers.com/shop/coolers/accessories>, 14 pages.
 Yeti Coolers, Tundra Cooler Divider, downloaded from www.yeti.com/tundra-dividers May 8, 2017, 4 pages.
 Yeti Coolers, Tundra Ice Chests, downloaded from <http://yeti.com/tundra> May 8, 2017, 7 pages.
 Yeti Coolers, Yeti Accessories & Parts, downloaded from <http://yeti.com/accessories> May 8, 2017, 5 pages.

* cited by examiner

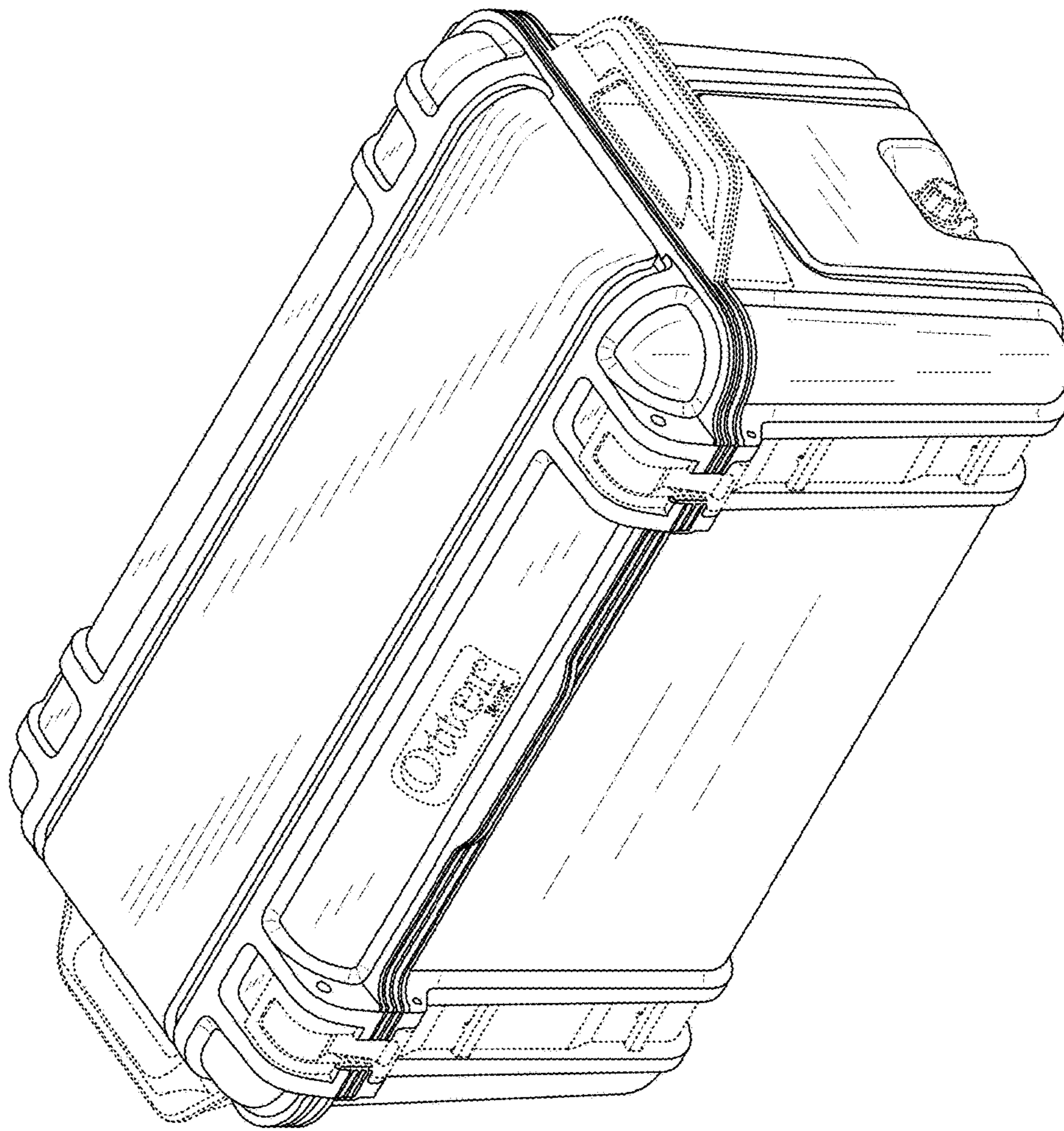


FIG. 1

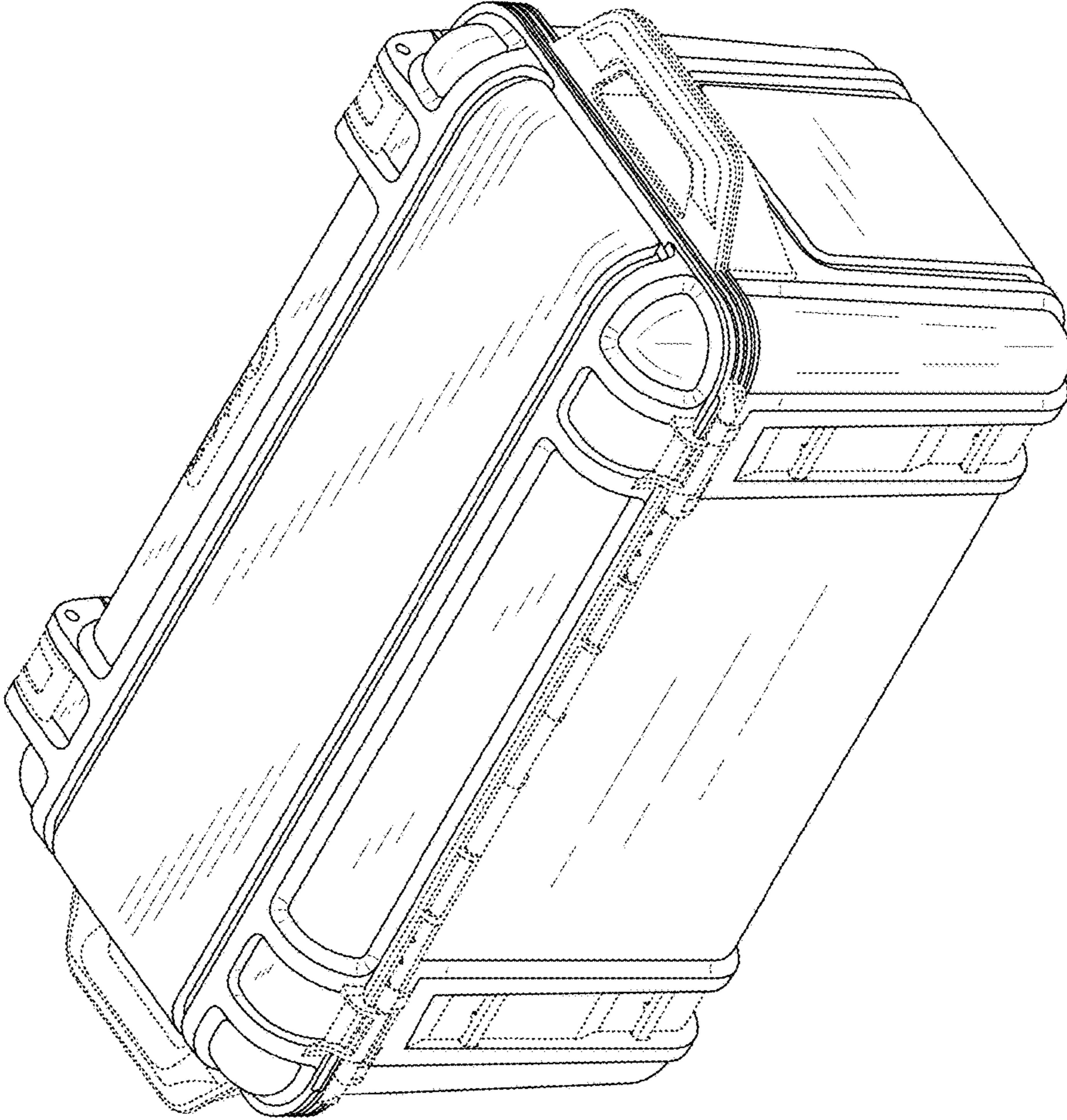


FIG. 2

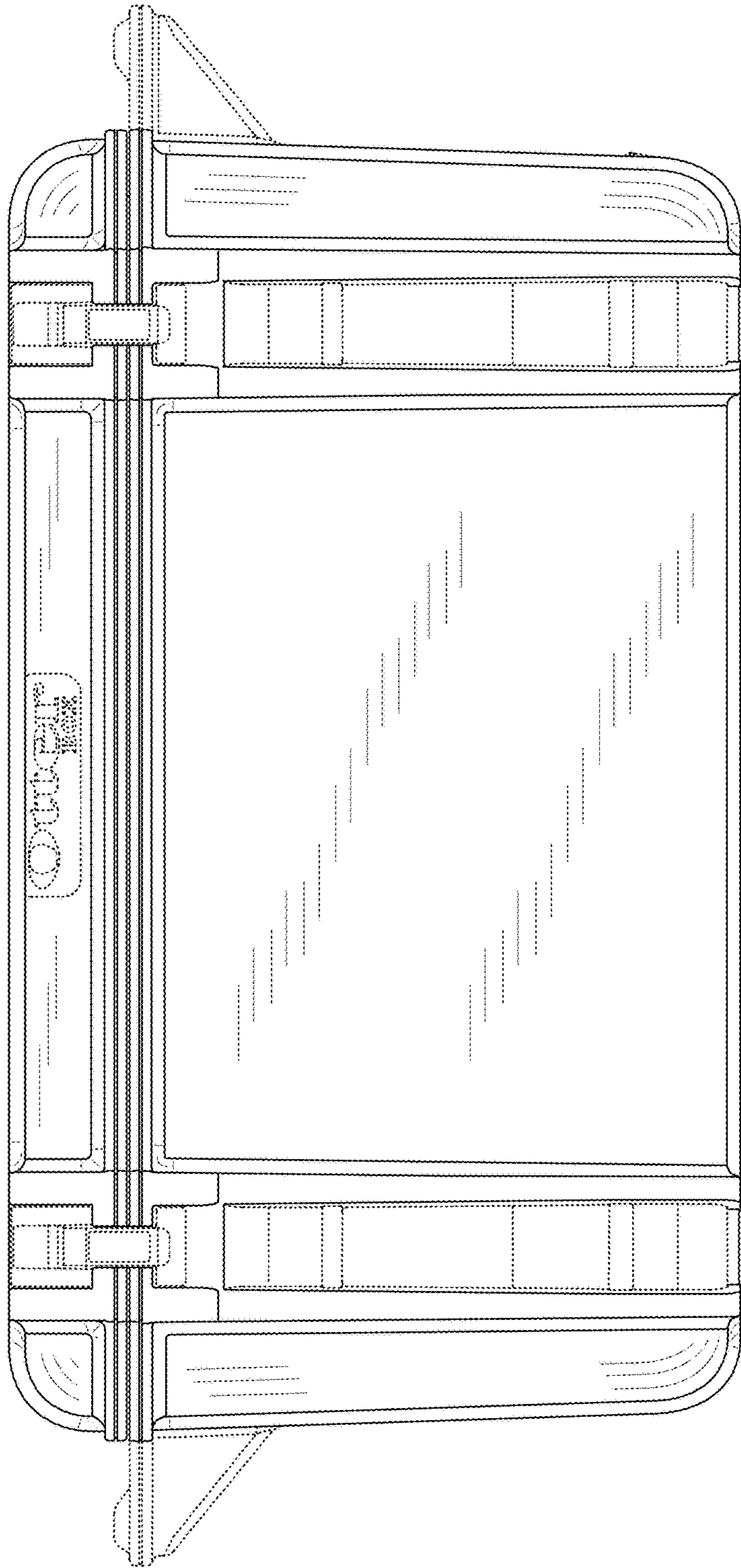


FIG. 3

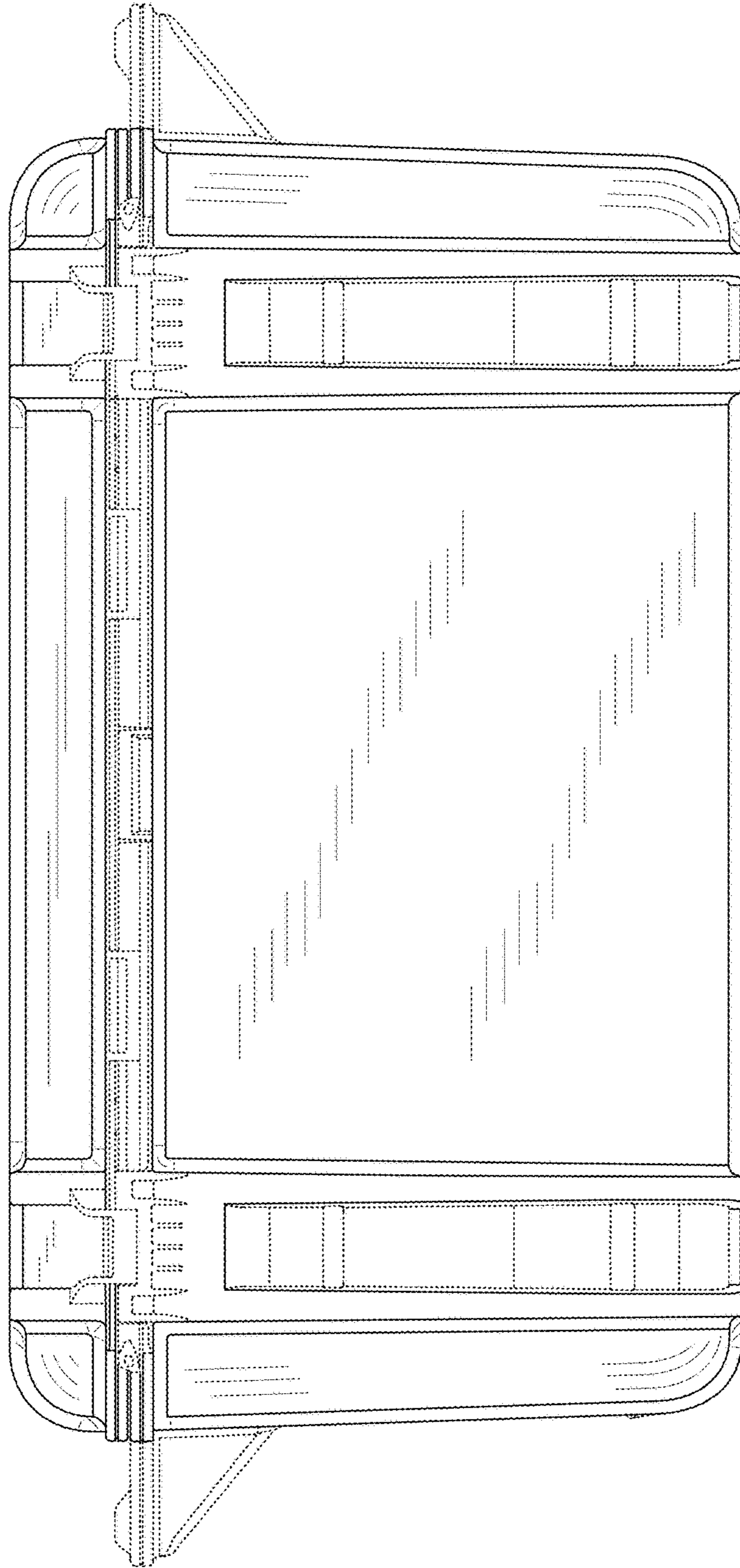


FIG. 4

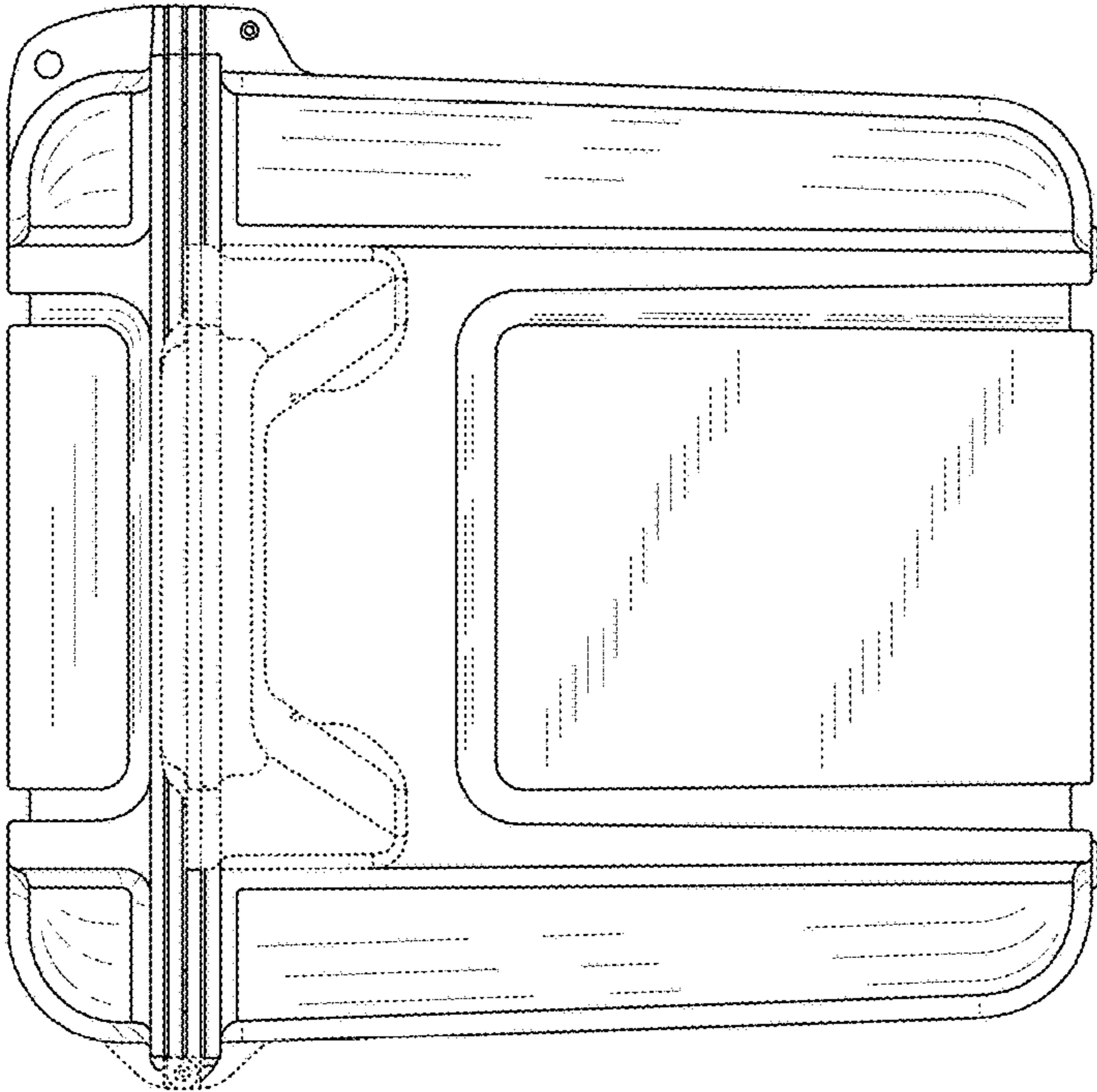


FIG. 5

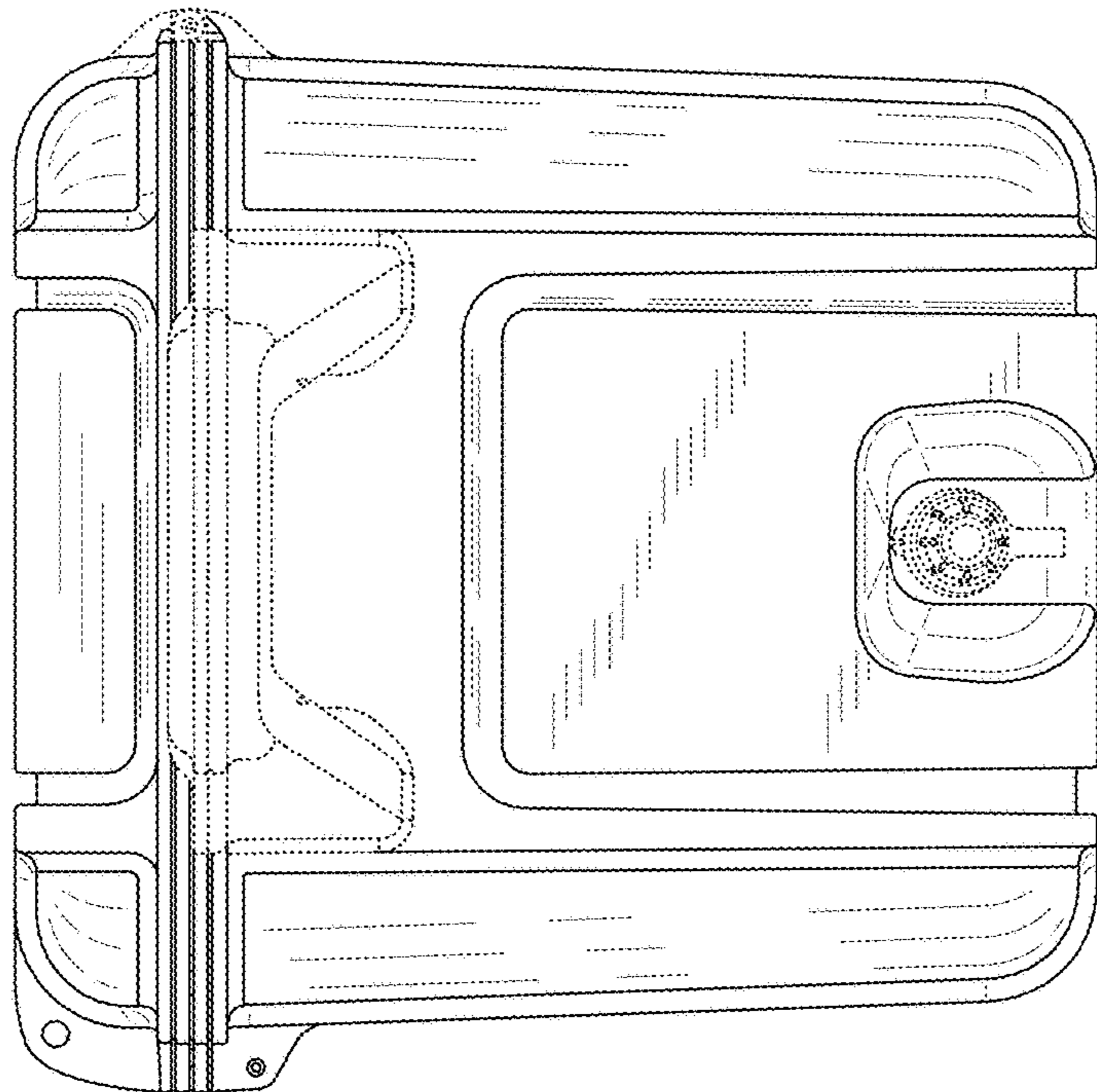


FIG. 6

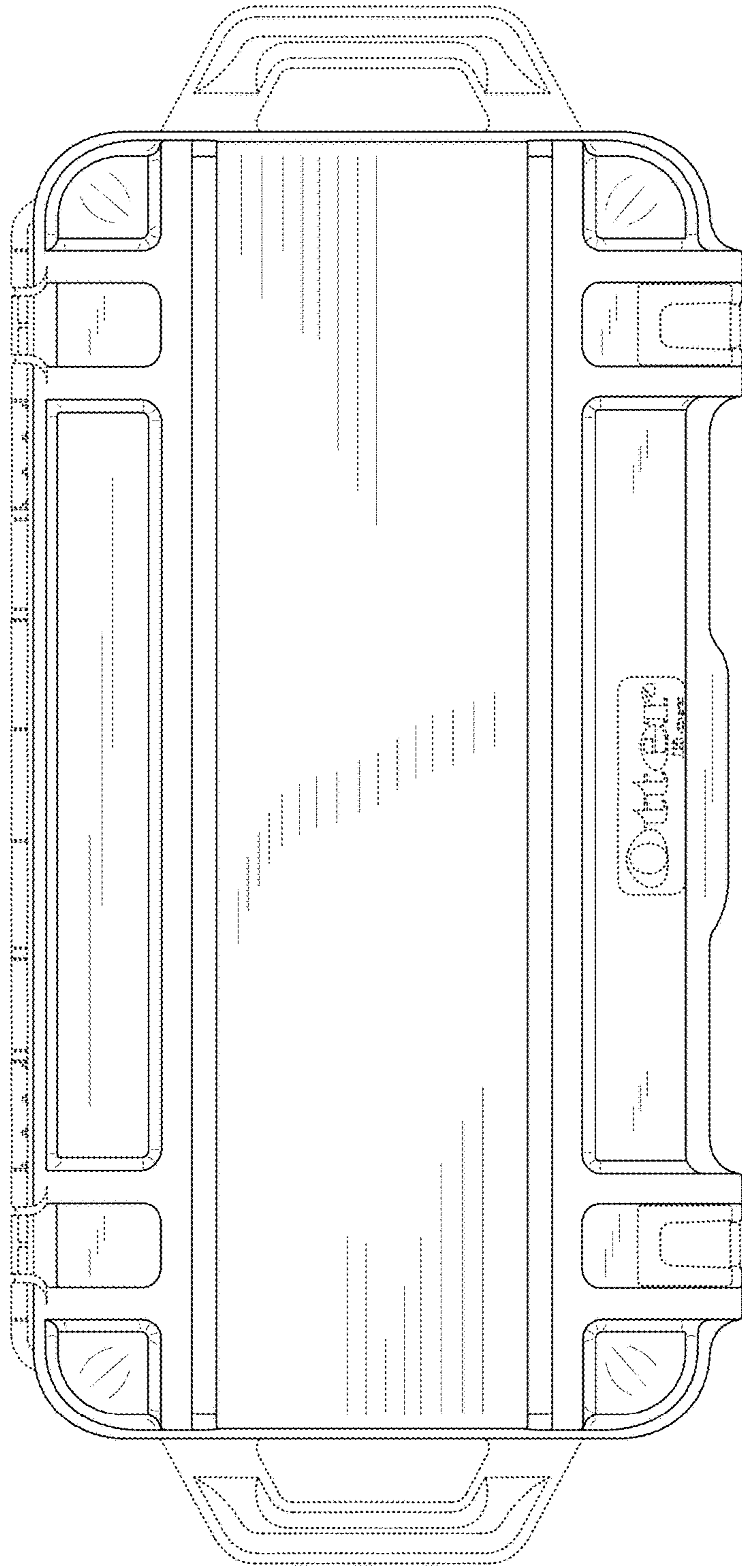


FIG. 7

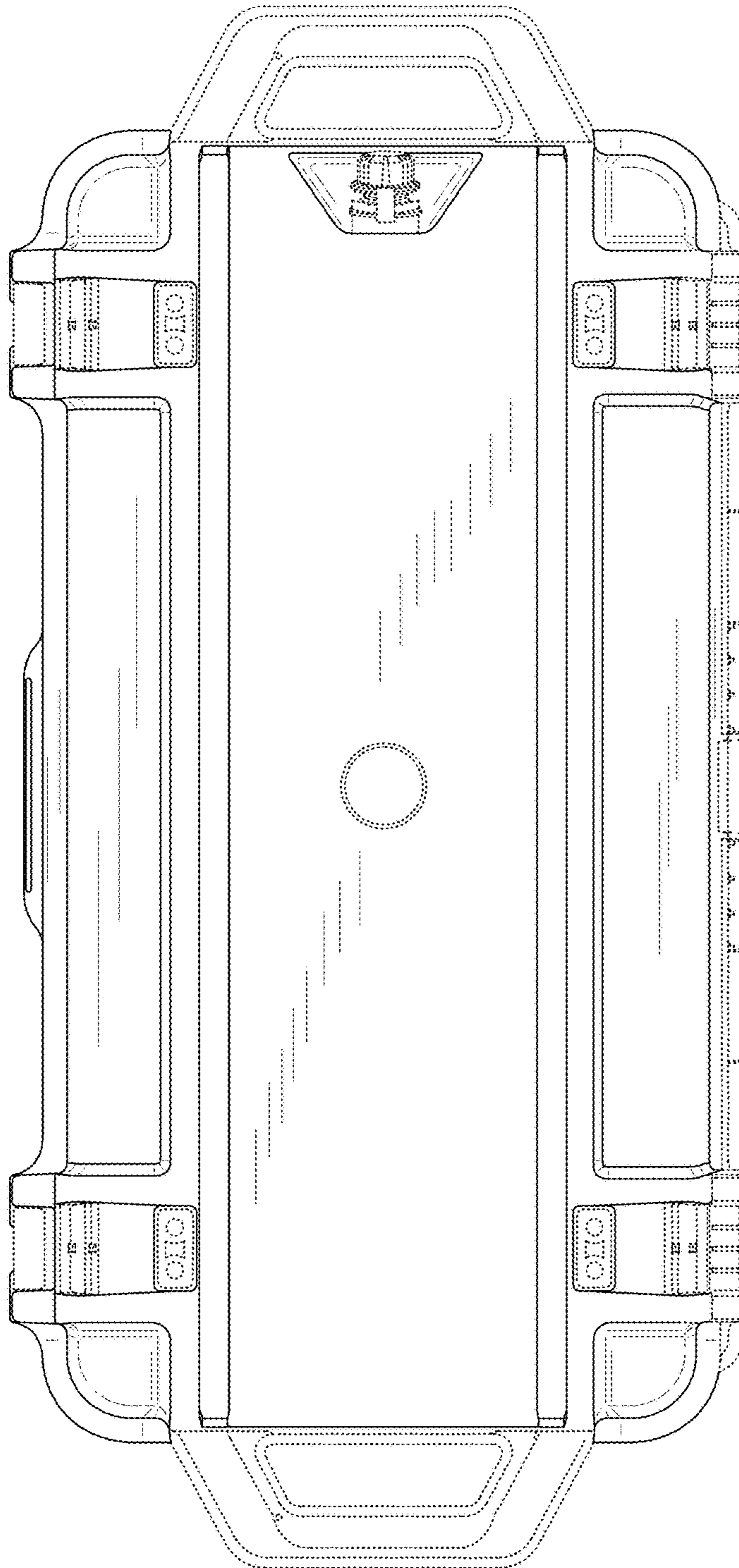


FIG. 8