



US00D823064S

(12) **United States Design Patent**  
**Eichinger et al.**

(10) **Patent No.:** **US D823,064 S**  
(45) **Date of Patent:** **\*\* \*Jul. 17, 2018**

(54) **COOLER**

RE32,740 E 8/1988 Steffes  
4,964,528 A 10/1990 Wagoner  
5,052,185 A 10/1991 Spahr  
D325,323 S \* 4/1992 Kahl ..... D7/605  
(Continued)

(71) Applicant: **OTTER PRODUCTS, LLC**, Fort Collins, CO (US)

(72) Inventors: **Todd Eichinger**, Fort Collins, CO (US); **Curtis R. Richardson**, Fort Collins, CO (US); **Jonathan B. Rayeski**, Fort Collins, CO (US); **Alan V. Morine**, Fort Collins, CO (US)

**FOREIGN PATENT DOCUMENTS**

WO 2004029526 A1 4/2004  
WO 2006007266 A2 1/2006  
(Continued)

(73) Assignee: **Otter Products, LLC**, Fort Collins, CO (US)

**OTHER PUBLICATIONS**

(\*) Notice: This patent is subject to a terminal disclaimer.

The Cooler Box, "Cordova Coolers vs Yeti—Is This New Cooler Better Than Yeti?", Published Oct. 24, 2016. (<http://thecoolerbox.com/cordova-coolers-vs-yeti/>).\*  
(Continued)

(\*\*) Term: **15 Years**

*Primary Examiner* — Jennifer Rivard  
*Assistant Examiner* — April Rivas

(21) Appl. No.: **29/589,672**

(22) Filed: **Jan. 4, 2017**

(51) **LOC (11) Cl.** ..... **07-01**

(52) **U.S. Cl.**  
USPC ..... **D7/605**

(57) **CLAIM**

The ornamental design for a cooler, as shown and described.

(58) **Field of Classification Search**  
USPC ..... D7/605, 607, 608, 630, 629; D3/273, D3/276, 279, 282, 284, 289, 902, 901, D3/274  
CPC ..... B65D 81/3813; B65D 81/3823; B65D 81/3888; B65D 81/3816; A45C 11/20; F25B 19/00  
See application file for complete search history.

**DESCRIPTION**

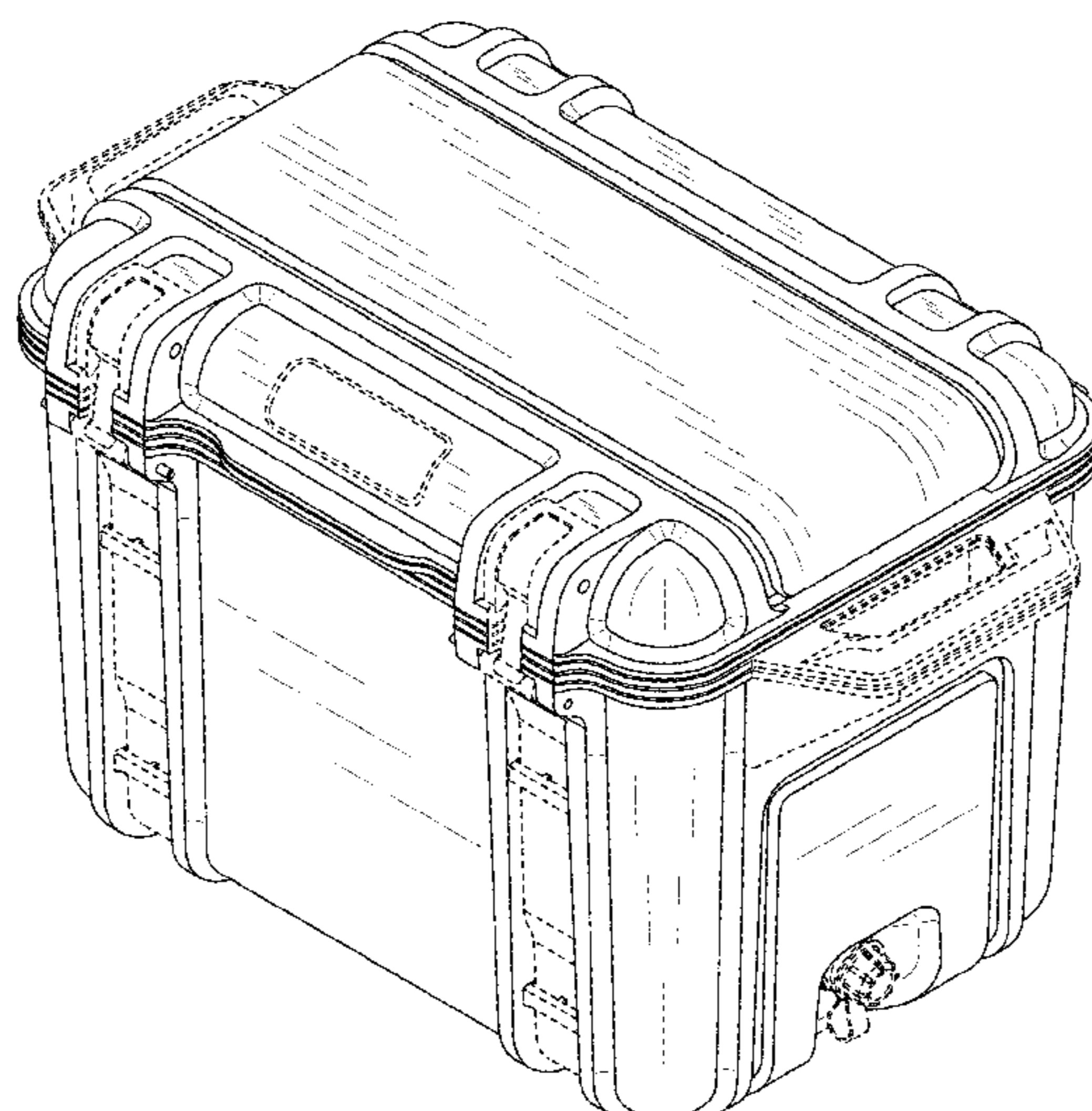
FIG. 1 is a front isometric view of a cooler showing our new design;  
FIG. 2 is a rear isometric view thereof;  
FIG. 3 is a front view thereof;  
FIG. 4 is a rear view thereof;  
FIG. 5 is a left view thereof shown on an enlarged scale;  
FIG. 6 is a right view thereof shown on an enlarged scale;  
FIG. 7 is a top view thereof; and,  
FIG. 8 is a bottom view thereof.  
The dash-dash broken lines throughout the drawing figures depict portions of the cooler that form no part of the claimed design. The broken lines and unshaded surfaces bounded by broken lines form no part of the claimed design.

(56) **References Cited**

**U.S. PATENT DOCUMENTS**

2,627,993 A 2/1953 Hafner  
3,395,550 A 8/1968 Dungan  
3,868,829 A 3/1975 Kemper  
D275,822 S \* 10/1984 Gatland ..... D3/282  
4,515,421 A 5/1985 Steffes

**1 Claim, 8 Drawing Sheets**



(56)

References Cited

U.S. PATENT DOCUMENTS

5,285,656 A 2/1994 Peters  
 D354,419 S \* 1/1995 Kahl ..... D7/605  
 5,816,432 A 10/1998 Hammen et al.  
 5,845,515 A \* 12/1998 Nelson ..... A45C 11/20  
 62/457.7  
 D419,297 S \* 1/2000 Richardson ..... D3/273  
 D419,767 S \* 2/2000 Richardson ..... D3/273  
 D419,768 S \* 2/2000 Richardson ..... D3/273  
 6,039,202 A 3/2000 Olstad et al.  
 6,185,860 B1 2/2001 Thibodeaux  
 6,244,458 B1 6/2001 Frysinger et al.  
 D451,765 S \* 12/2001 Israel ..... D7/605  
 6,328,179 B1 12/2001 Conrado et al.  
 D472,384 S \* 4/2003 Richardson ..... D3/273  
 6,751,963 B2 6/2004 Navedo et al.  
 6,895,778 B1 5/2005 Ackerman  
 D513,123 S \* 12/2005 Richardson ..... D3/273  
 D514,808 S \* 2/2006 Morine ..... D3/273  
 D516,807 S \* 3/2006 Richardson ..... D3/273  
 7,140,507 B2 11/2006 Maldonado et al.  
 7,296,433 B2 11/2007 Uihlein et al.  
 8,065,889 B1 11/2011 Silberman  
 D712,720 S 9/2014 Seiders  
 D712,721 S 9/2014 Seiders  
 D712,722 S 9/2014 Seiders  
 D712,723 S 9/2014 Seiders  
 D714,125 S 9/2014 Seiders  
 8,910,819 B2 12/2014 Seiders  
 D722,474 S 2/2015 Seiders  
 D722,475 S 2/2015 Seiders  
 D732,348 S 6/2015 Seiders et al.  
 D732,349 S 6/2015 Seiders et al.  
 D732,350 S 6/2015 Seiders et al.  
 D732,899 S 6/2015 Seiders et al.  
 9,139,352 B2 9/2015 Seiders et al.  
 9,187,232 B2 11/2015 Seiders  
 D752,347 S 3/2016 Seiders et al.  
 9,316,428 B2 4/2016 Mech  
 9,389,010 B1 7/2016 Booker  
 9,446,847 B2 9/2016 Richardson et al.  
 9,500,400 B2 11/2016 Smith  
 9,834,342 B2 4/2017 Seiders  
 D786,559 S 5/2017 Seiders et al.  
 D786,560 S 5/2017 Seiders et al.  
 D786,561 S 5/2017 Seiders et al.  
 D786,562 S 5/2017 Seiders et al.  
 D787,187 S 5/2017 Seiders et al.  
 D797,454 S 9/2017 Seiders et al.  
 D797,455 S 9/2017 Seiders et al.  
 D798,670 S 10/2017 Seiders et al.  
 D799,276 S 10/2017 Seiders et al.  
 D799,277 S 10/2017 Seiders et al.

D799,905 S 10/2017 Seiders et al.  
 D801,123 S 10/2017 Seiders et al.  
 9,796,517 B2 10/2017 Seiders et al.  
 D802,373 S 11/2017 Seiders et al.  
 D804,905 S 12/2017 Seiders et al.  
 D805,851 S 12/2017 Seiders et al.  
 2003/0038138 A1 2/2003 Komurke  
 2004/0178208 A1 9/2004 Leba et al.  
 2004/0238543 A1 12/2004 Askew  
 2004/0262319 A1 12/2004 Fisher  
 2005/0263527 A1 12/2005 Maldonado et al.  
 2005/0279124 A1 12/2005 Maldonado  
 2010/0287976 A1 11/2010 Roof et al.  
 2011/0056233 A1 3/2011 Flaker et al.  
 2011/0182532 A1 7/2011 Baltus  
 2011/0203297 A1 8/2011 Oberweis  
 2011/0220531 A1 9/2011 Meether et al.  
 2011/0289958 A1 12/2011 White et al.  
 2016/0279840 A1 9/2016 French et al.  
 2017/0023289 A1 \* 1/2017 Anderson ..... F25D 3/08  
 2017/0073146 A1 3/2017 Kuhn et al.  
 2017/0073147 A1 3/2017 Kuhn  
 2017/0305639 A1 10/2017 Kuhn et al.

FOREIGN PATENT DOCUMENTS

WO 2006009537 A1 1/2006  
 WO 2016154105 A1 9/2016

OTHER PUBLICATIONS

OtterBox, "Rugged Venture Coolers", Accessed Jan. 16, 2018. (<https://www.otterbox.com/en-us/venture-coolers.html>).\*  
 Digital Trends, "The new Venture coolers from Otterbox . . . ", Posted May 9, 2017. (<https://www.digitaltrends.com/outdoors/otterbox-venture-coolers/>).\*  
 Pelican Products, "70QT Cooler", Accessed Jan. 16, 2018. (<http://www.pelican.com/us/en/product/outdoor-heavy-duty-coolers/elite-cooler/cooler/70QT/>).\*  
 Pelican Consumer, Coolers—Hunting, Fishing, Camping, downloaded from <http://www.pelican.com/us/en/products/coolers> May 8, 2017, 2 pages.  
 RTIC, Cooler Accessories, downloaded May 8, 2017 from <http://www.rticcoolers.com/shop/coolers/accessories>, 14 pages.  
 YETI Coolers, Tundra Cooler Divider, downloaded from [www.yeti.com/tundra-dividers](http://www.yeti.com/tundra-dividers) May 8, 2017, 4 pages.  
 YETI Coolers, Tundra Ice Chests, downloaded from <http://yeti.com/tundra> May 8, 2017, 7 pages.  
 YETI Coolers, YETI Accessories & Parts, downloaded from <http://yeti.com/accessories> May 8, 2017, 5 pages.

\* cited by examiner





FIG. 1

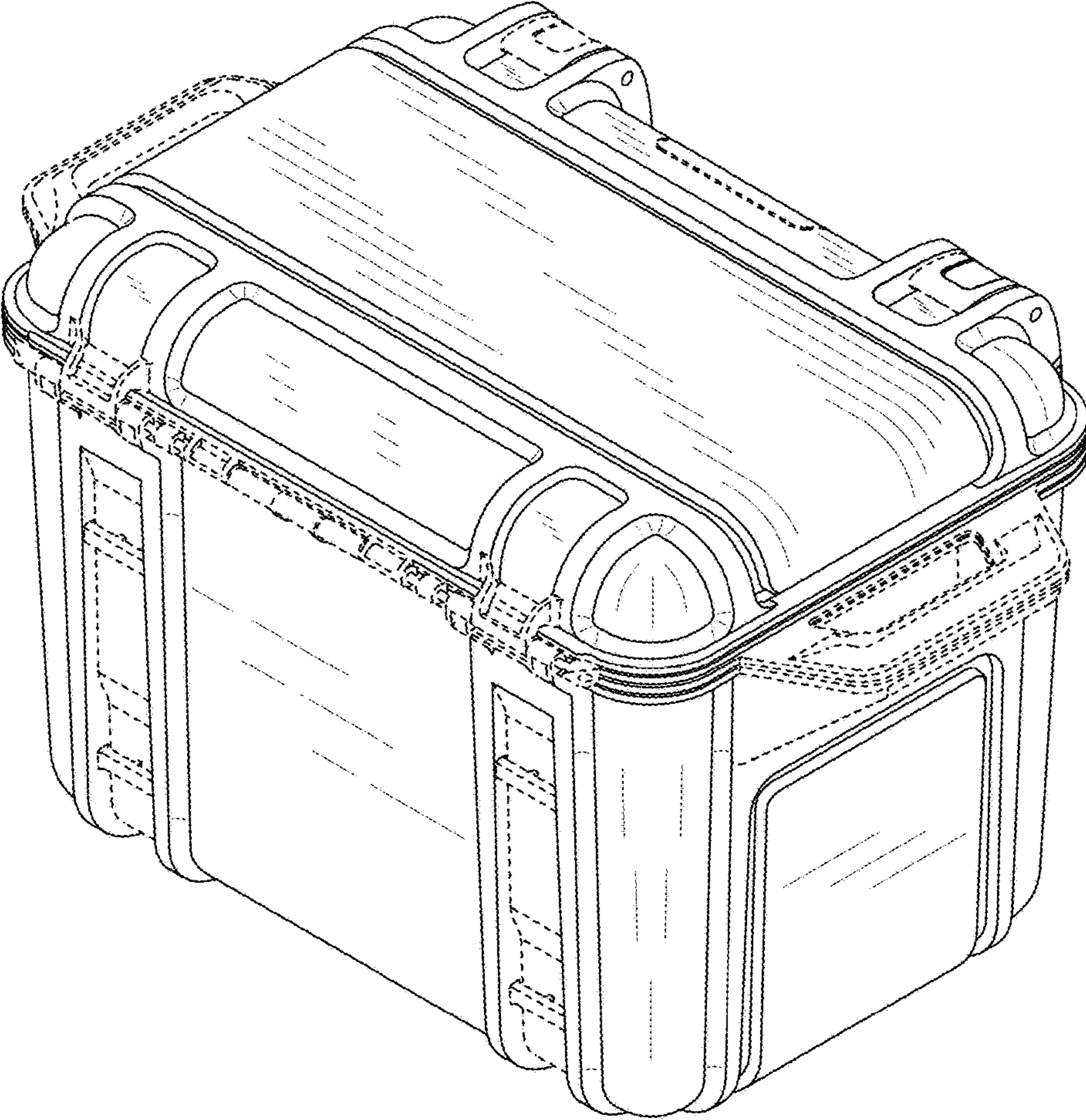


FIG. 2

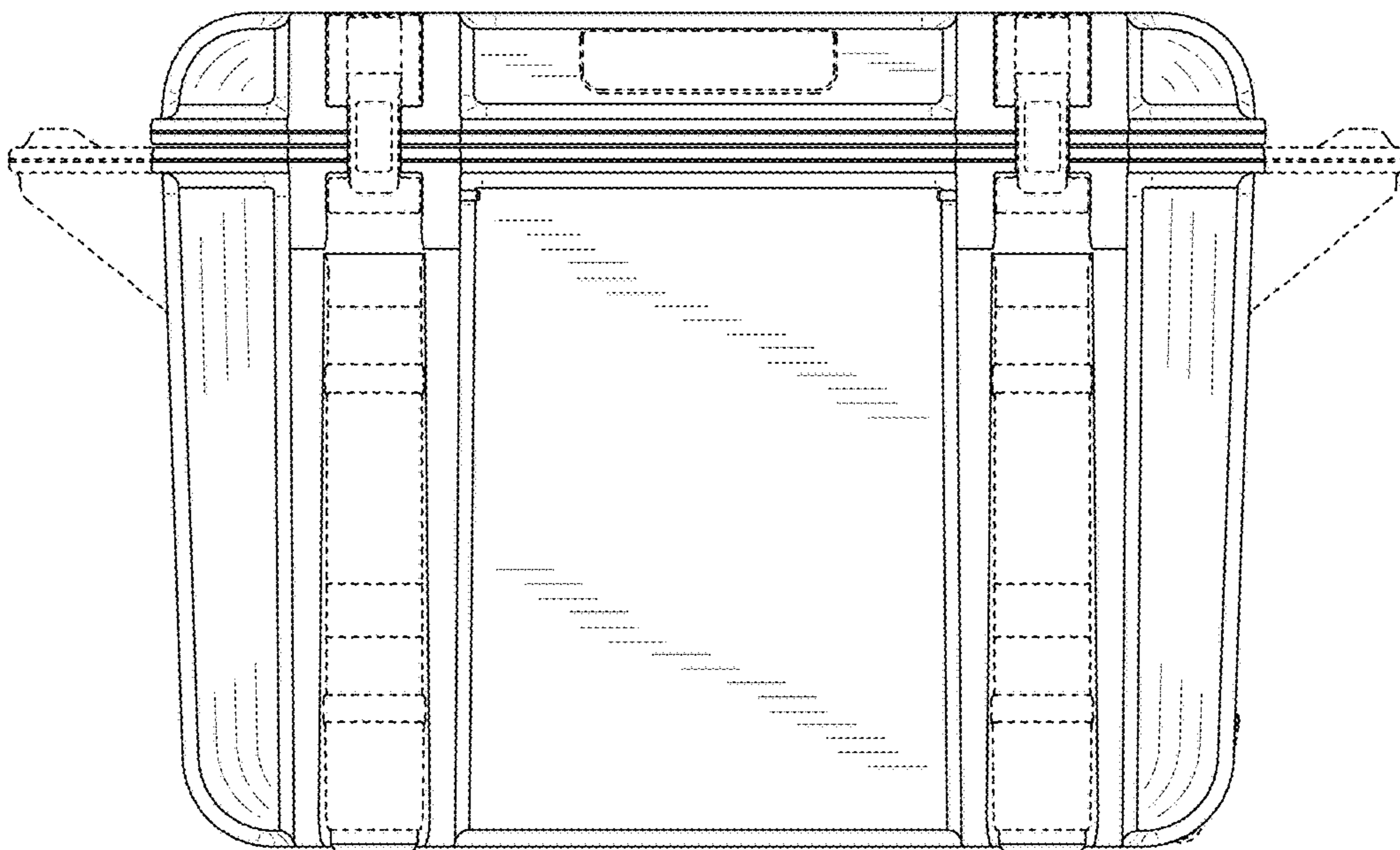


FIG. 3

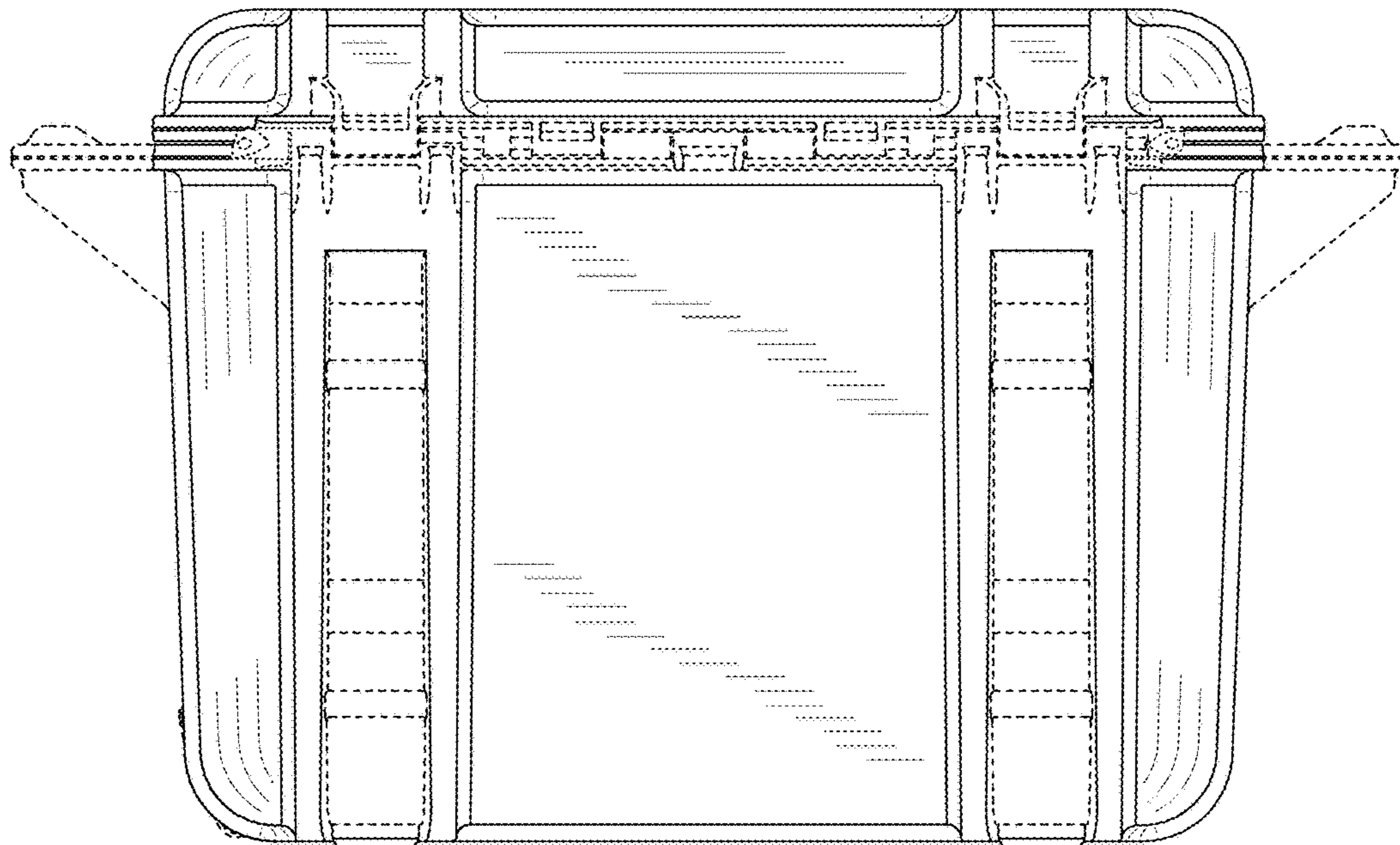


FIG. 4



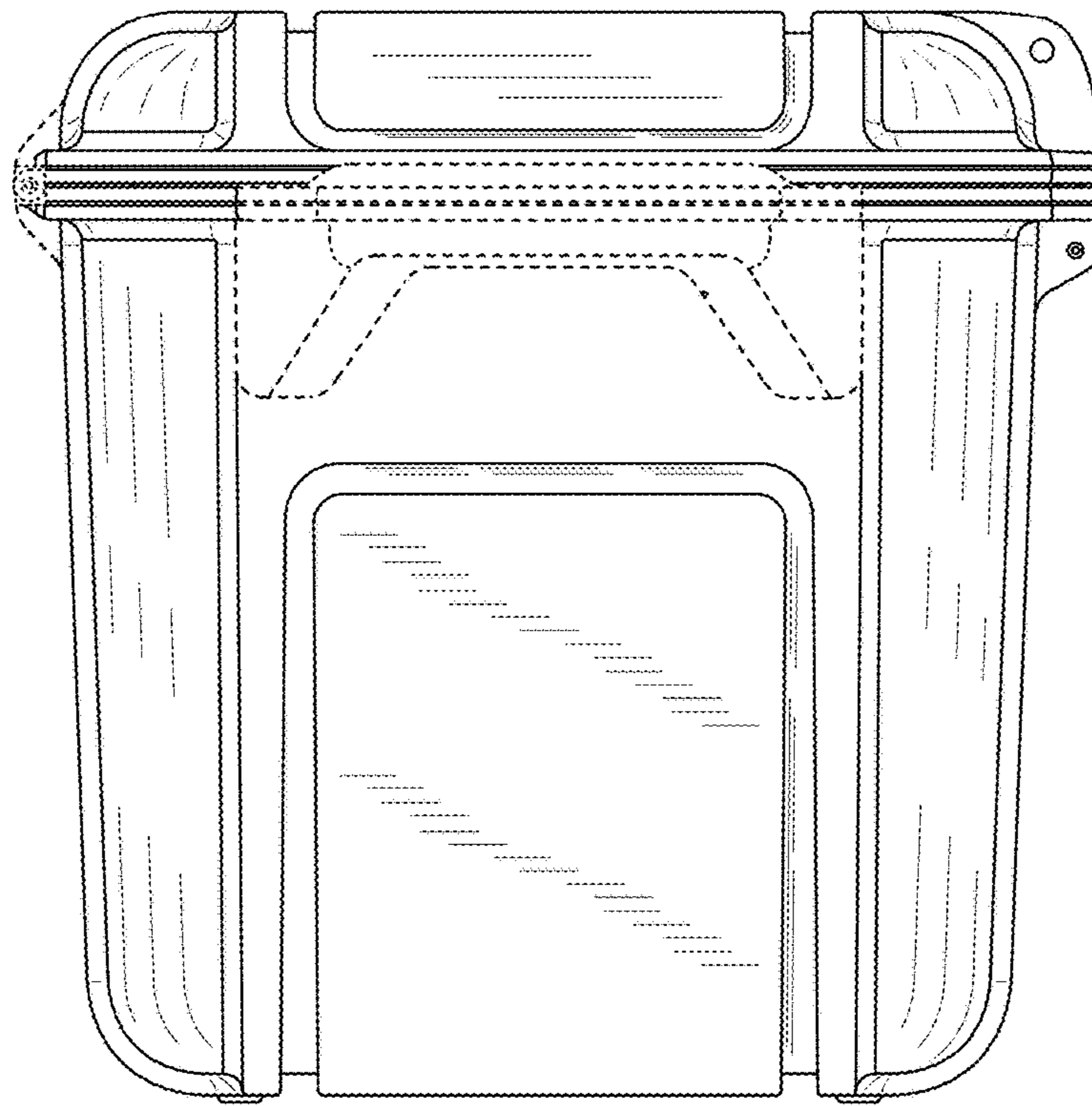


FIG. 5

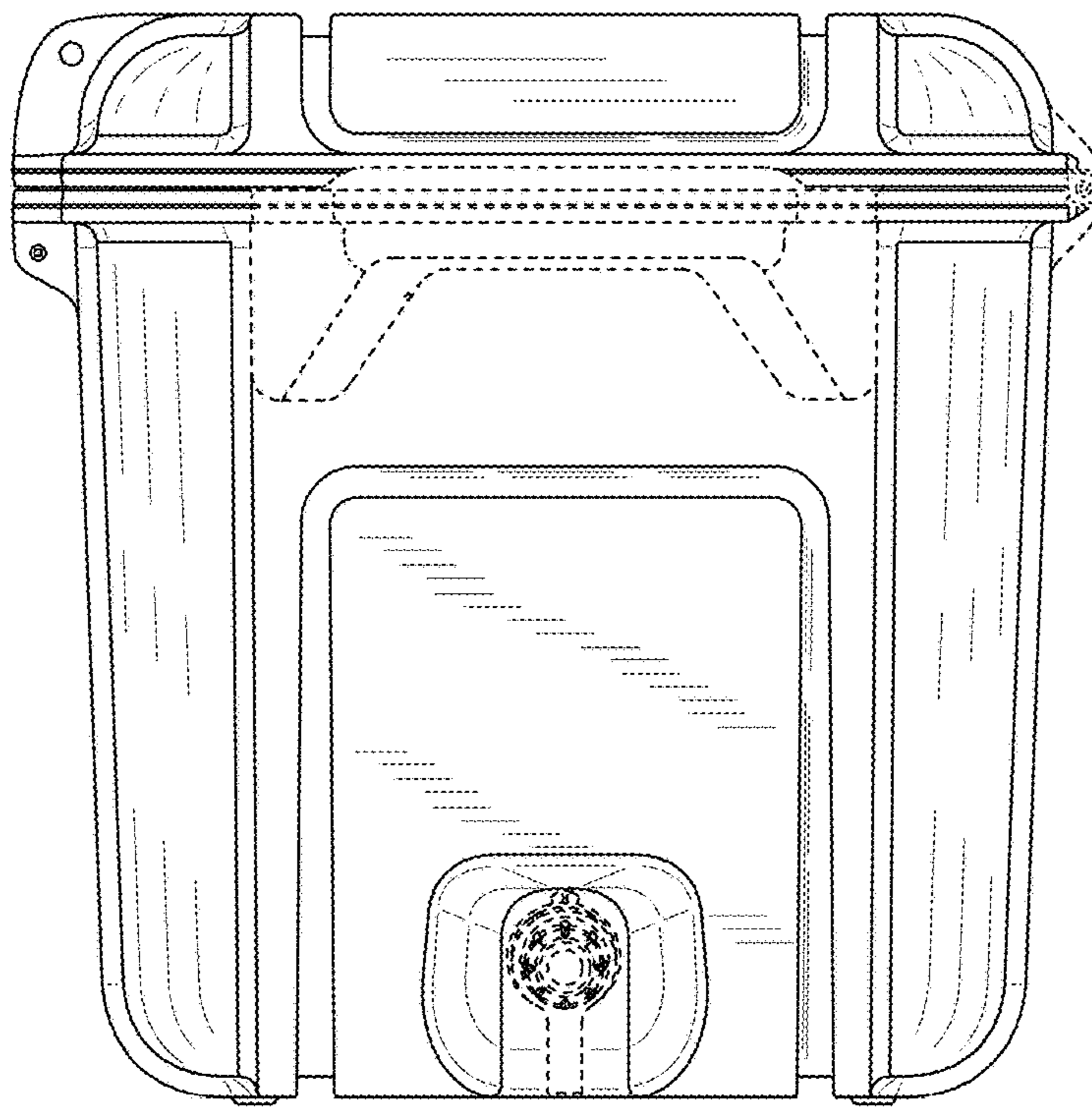


FIG. 6



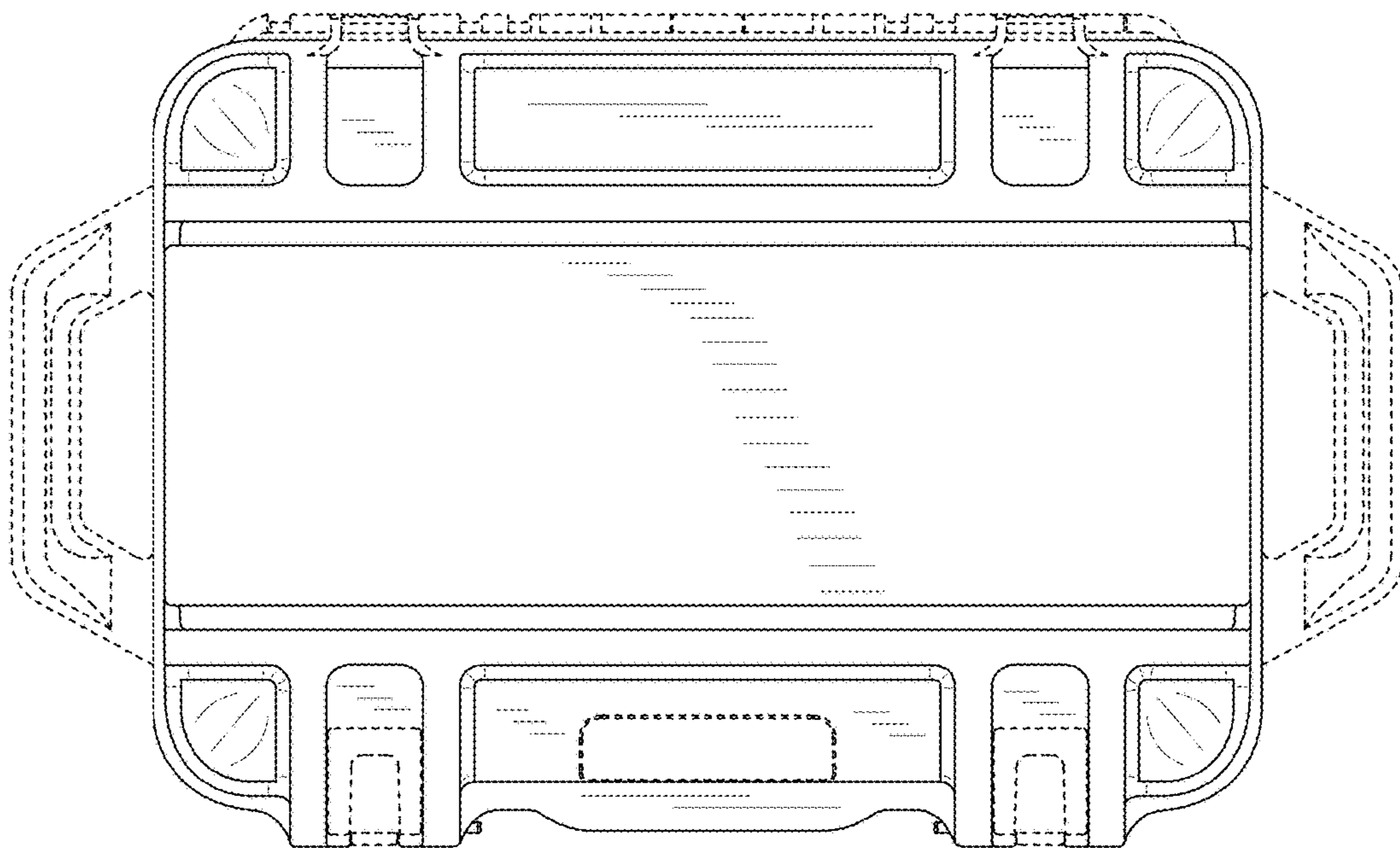


FIG. 7

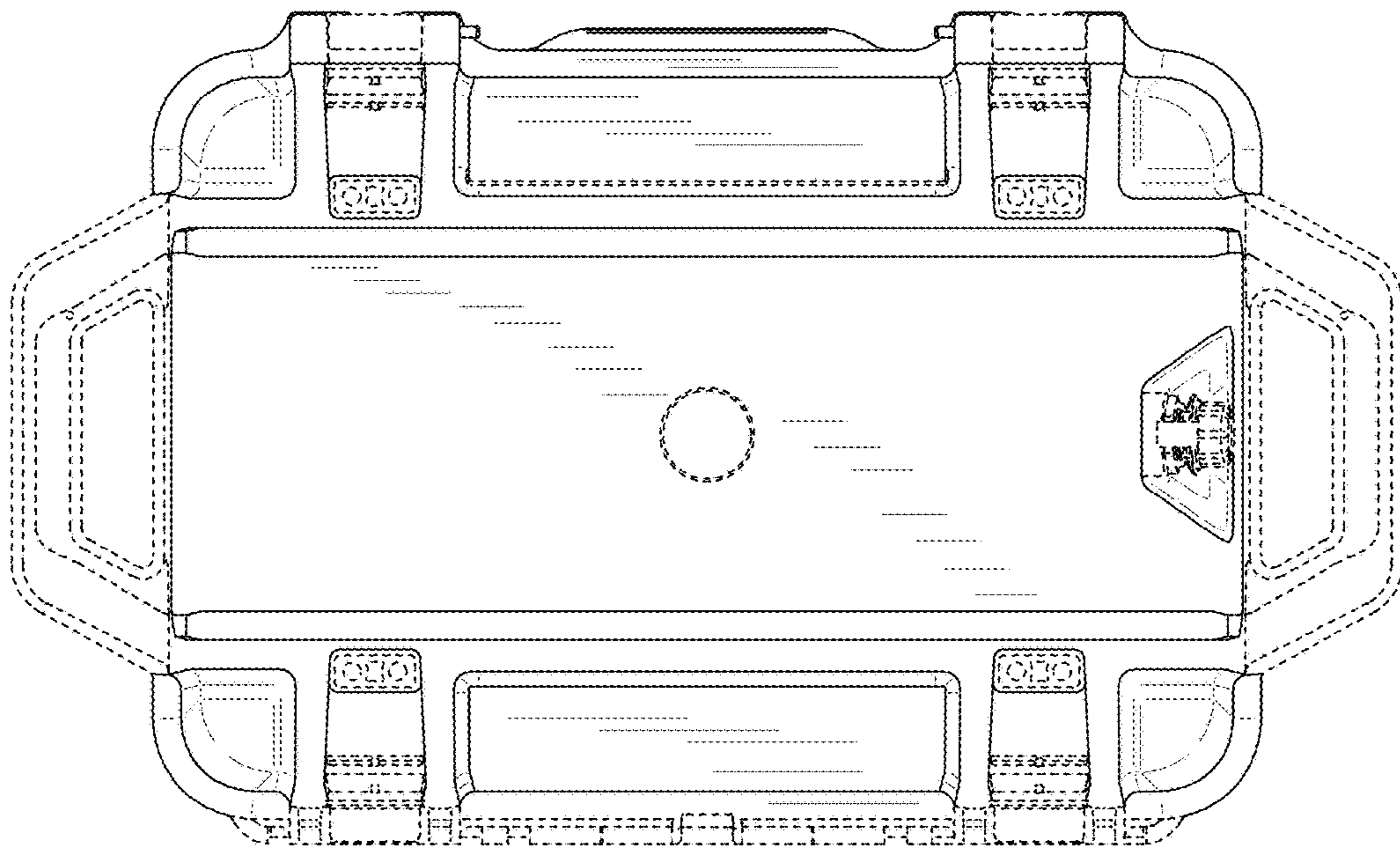


FIG. 8