



US00D823063S

(12) **United States Design Patent**  
**Guo**

(10) **Patent No.:** **US D823,063 S**

(45) **Date of Patent:** **\*\* Jul. 17, 2018**

(54) **SALAD BOWL TRAY**

(71) Applicant: **SHENZHEN NANSHAN DISTRICT  
XINLINGYU ELECTRONICS  
FACTORY**, Shenzhen, Guangdong  
(CN)

(72) Inventor: **Hui Guo**, Nanyang (CN)

(73) Assignee: **SHENZHEN NANSHAN DISTRICT  
XINLINGYU ELECTRONICS  
FACTORY**, Shenzhen, Guangdong  
(CN)

(\*\*) Term: **15 Years**

(21) Appl. No.: **29/608,349**

(22) Filed: **Jun. 21, 2017**

(51) **LOC (11) Cl.** ..... **07-01**

(52) **U.S. Cl.**  
USPC ..... **D7/552.1**

(58) **Field of Classification Search**  
USPC ..... D7/543, 548, 550.1, 552.1, 553.6, 554.2,  
D7/602, 401.2, 412  
CPC ..... A47G 19/02; A47G 19/08; A47G 21/001;  
A47G 21/08; A47G 23/06; A47G 23/0625  
See application file for complete search history.

(56) **References Cited**

**U.S. PATENT DOCUMENTS**

D468,965 S \* 1/2003 Fino ..... D7/505  
D564,138 S \* 3/2008 Dunn ..... D30/129

D625,956 S \* 10/2010 Goddard-Clark ..... D7/543  
D668,508 S \* 10/2012 Zox ..... D7/552.1  
D672,200 S \* 12/2012 Lee ..... D7/543  
D680,813 S \* 4/2013 De Leo ..... D7/543  
D682,619 S \* 5/2013 Lee ..... D7/543  
D686,455 S \* 7/2013 Gold ..... D7/543  
D693,182 S \* 11/2013 Katterheinrich ..... D7/587  
D701,429 S \* 3/2014 Krupa ..... D7/552.1  
D712,702 S \* 9/2014 Stamper ..... D7/543  
D715,594 S \* 10/2014 Norland ..... D7/545  
D741,024 S \* 10/2015 Liu ..... D30/129  
D749,908 S \* 2/2016 Cai ..... D7/543  
D772,493 S \* 11/2016 Wu ..... D30/129  
D775,827 S \* 1/2017 Wang ..... D3/304  
D807,684 S \* 1/2018 Lee ..... D7/359

\* cited by examiner

*Primary Examiner* — Kelley Donnelly

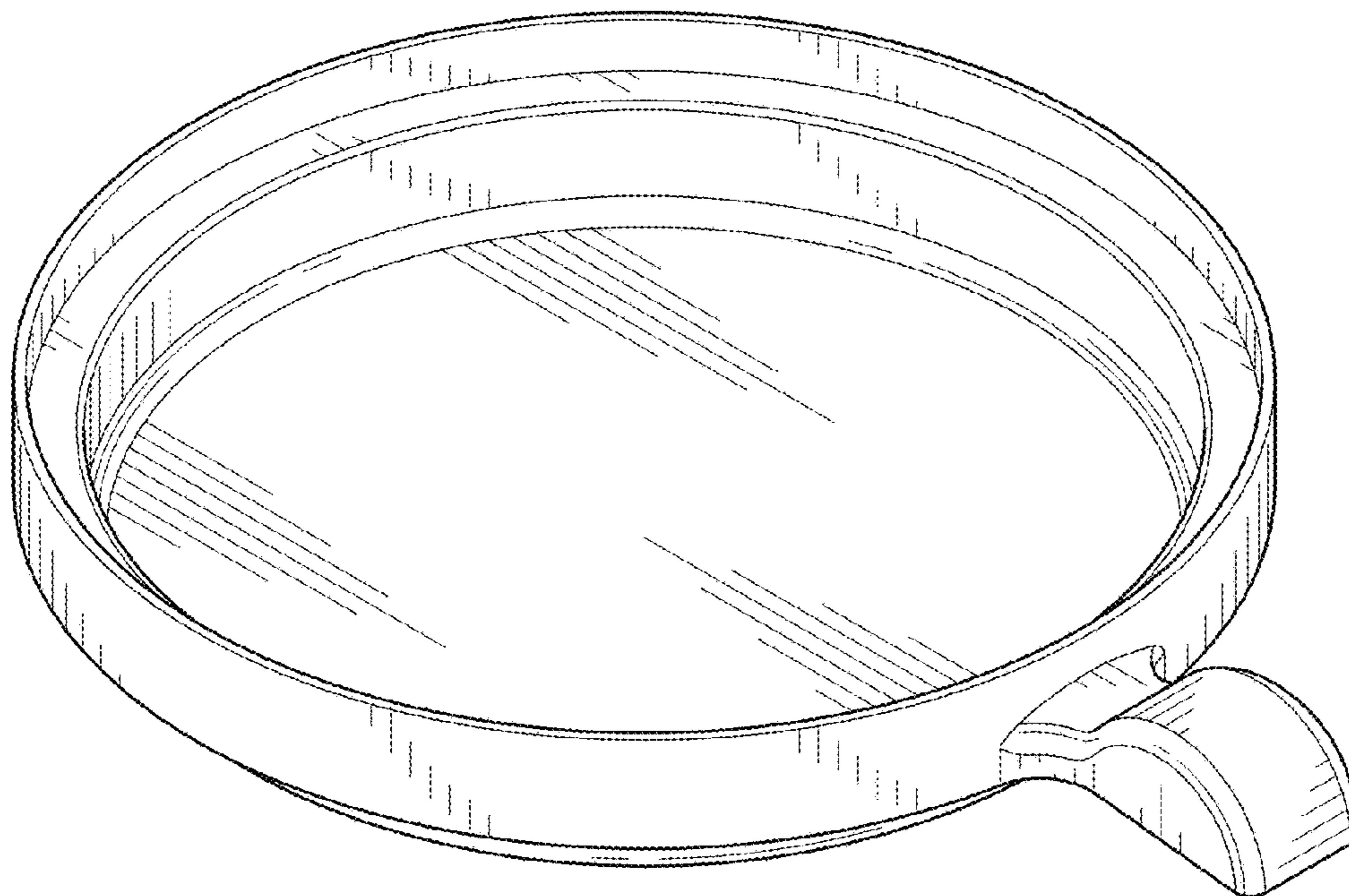
(57) **CLAIM**

The ornamental design for a “salad bowl tray,” as shown and described.

**DESCRIPTION**

FIG. 1 is a perspective view of a salad bowl tray showing our new design;  
FIG. 2 is a front view thereof;  
FIG. 3 is a rear view thereof;  
FIG. 4 is a left side view thereof;  
FIG. 5 is a right side view thereof;  
FIG. 6 is a top view thereof;  
FIG. 7 is a bottom view thereof; and,  
FIG. 8 is a cross-sectional view taken along line 8-8 in FIG. 6.

**1 Claim, 6 Drawing Sheets**



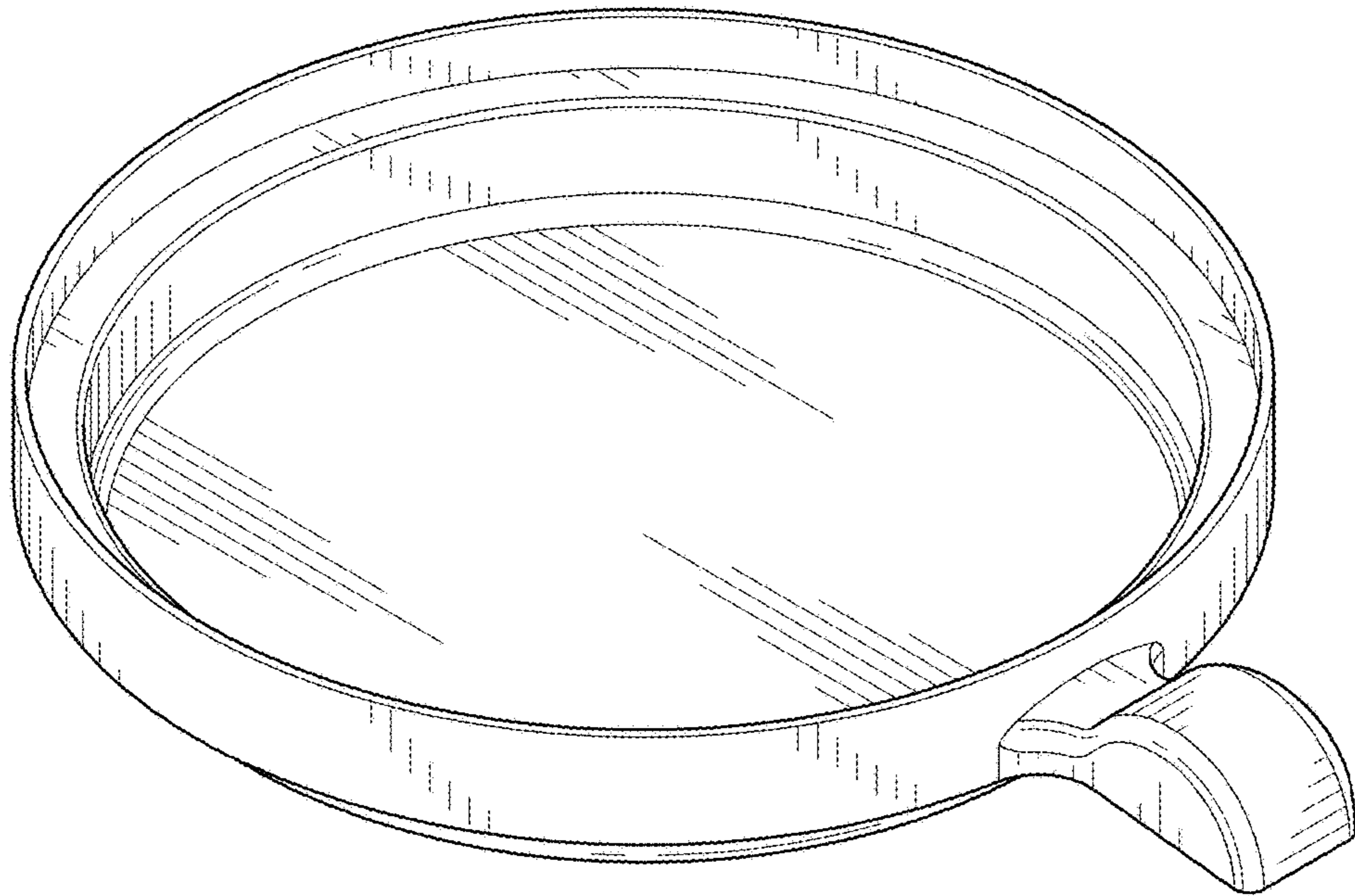


FIG. 1

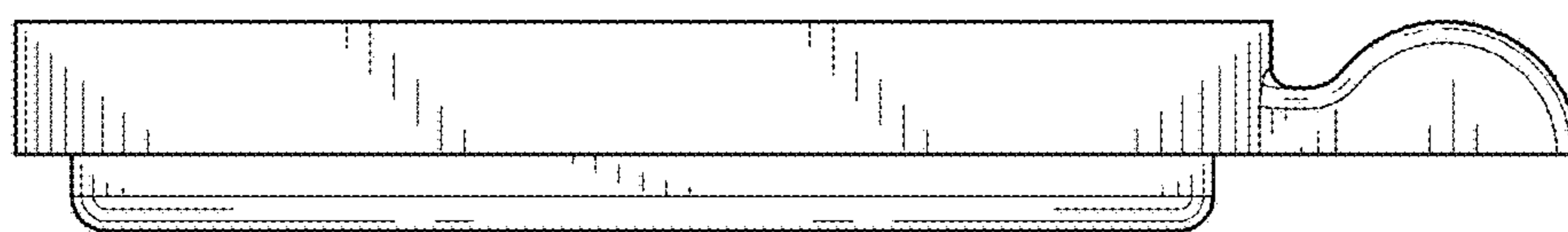


FIG. 2

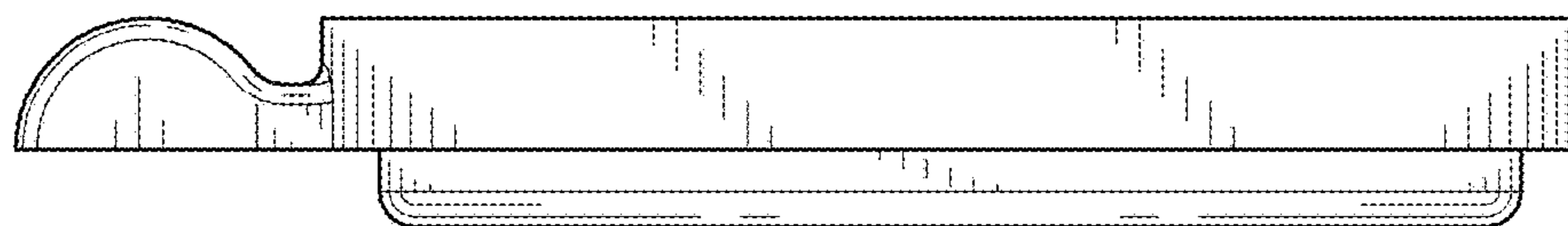


FIG. 3

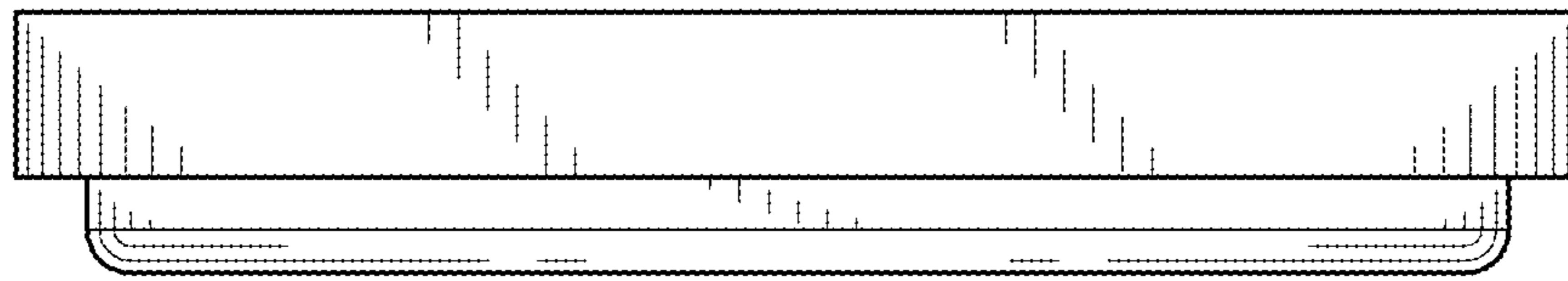


FIG. 4

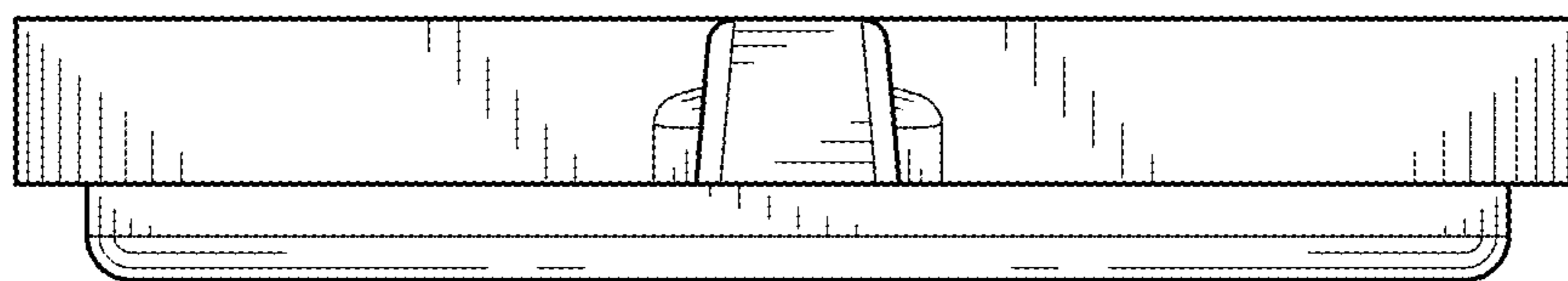


FIG. 5

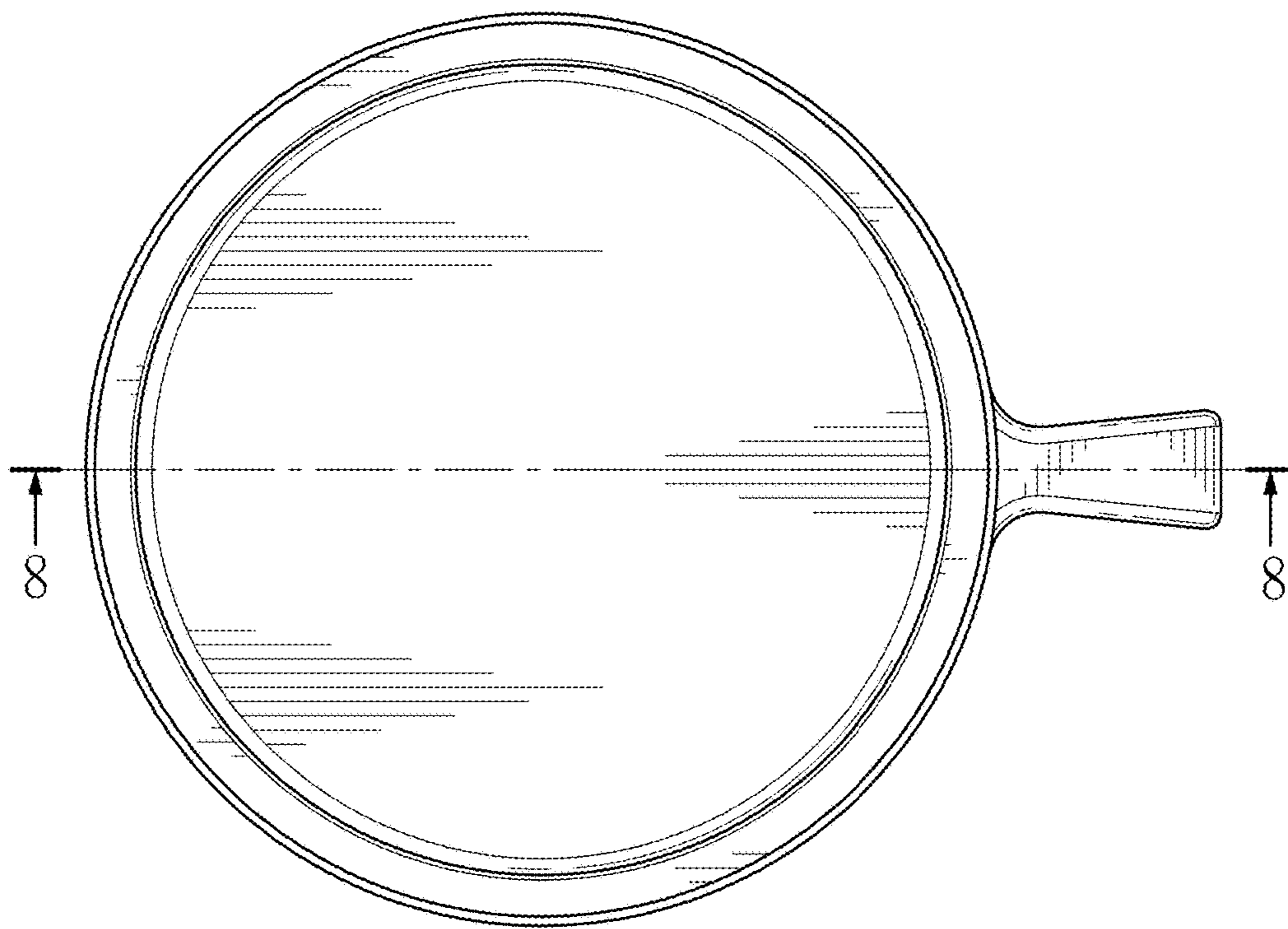


FIG. 6

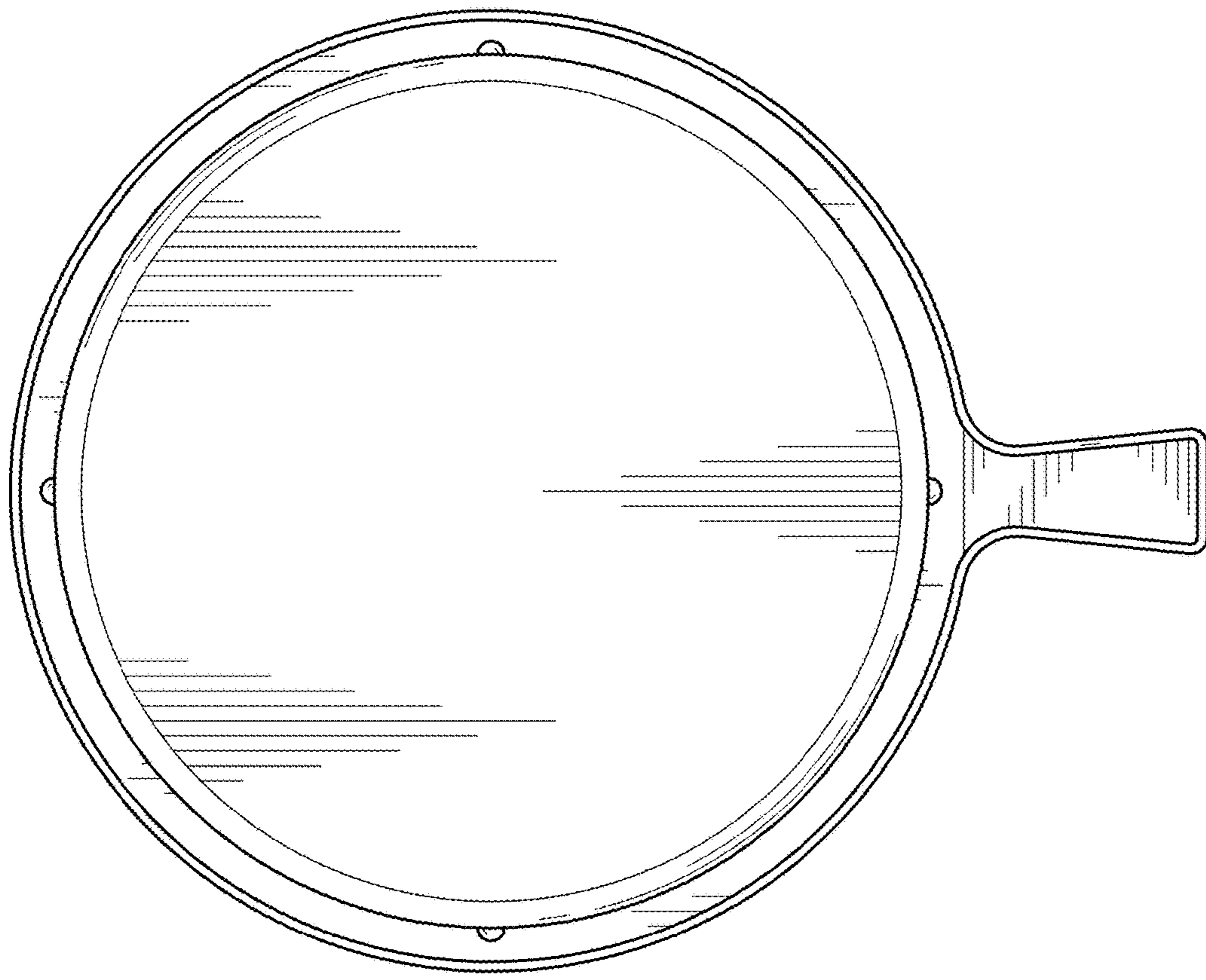


FIG. 7

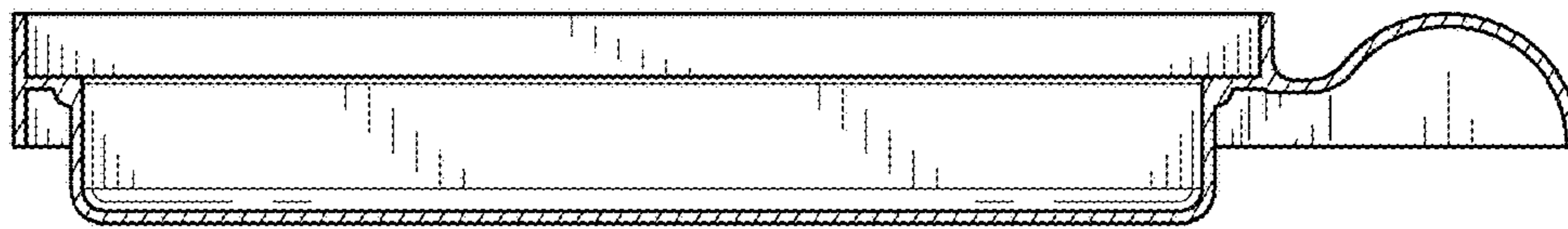


FIG. 8